



US00D900808S

(12) **United States Design Patent** (10) **Patent No.:** **US D900,808 S**
Vandenbussche et al. (45) **Date of Patent:** **** Nov. 3, 2020**

(54) **BODY OF A SMART WATCH** D264,946 S 6/1982 Hirabayashi
D528,928 S * 9/2006 Burton D10/38
(71) Applicant: **Fitbit, Inc.**, San Francisco, CA (US) D555,019 S 11/2007 Au Yeung
D584,176 S * 1/2009 Maruyama D10/70
(72) Inventors: **Gregoire Ludovic Vincent**
Vandenbussche, San Francisco, CA
(US); **Jonah Avram Becker**, San
Francisco, CA (US); **Irina Igorevna**
Kozlovskaya, San Francisco, CA (US);
Cory William Worth, Palo Alto, CA
(US); **Chadwick John Harber**, San
Francisco, CA (US); **Junyong Park**,
San Francisco, CA (US)
(Continued)

FOREIGN PATENT DOCUMENTS

CH 135962 5/2009
CH 143517 10/2017
(Continued)

OTHER PUBLICATIONS

Fitbit Versa 2, announced Sep. 9, 2019 [online], [retrieved Sep. 29, 2019]. Available from Internet, URL: <https://www.pcmag.com/review/370567/Fitbit-versa-2> (Year: 2019).*
(Continued)

(73) Assignee: **FITBIT, INC.**, San Francisco, CA (US)
(**) Term: **15 Years**

(21) Appl. No.: **29/702,946**

(22) Filed: **Aug. 22, 2019**

Related U.S. Application Data

(63) Continuation of application No. 29/669,190, filed on Nov. 6, 2018.

(51) **LOC (12) Cl.** **14-02**

(52) **U.S. Cl.**
USPC **D14/344; D10/30**

(58) **Field of Classification Search**
USPC D14/344, 138 R, 144, 341, 358, 388;
D10/30-39, 70, 98; D11/3, 4, 26, 93-94,
D11/78.1, 79, 86; D24/167, 169,
D24/186-187, 164
CPC G06F 1/163; G06F 3/014; G04G 21/08;
G04G 15/00; A61B 5/681; H04M 1/7253
See application file for complete search history.

(56) **References Cited**

U.S. PATENT DOCUMENTS

4,106,677 A 8/1978 Helmso
D251,773 S 5/1979 Morabito

Primary Examiner — Dana K Weiland
(74) *Attorney, Agent, or Firm* — Polson Intellectual
Property Law, PC; Margaret Polson

(57) **CLAIM**

The ornamental design for a body of a smart watch, as shown and described.

DESCRIPTION

FIG. 1 is a top, right side isometric view of a body of a smart watch showing our new design.
FIG. 2 is a top plan view of FIG. 1.
FIG. 3 is a right side elevation view of FIG. 1.
FIG. 4 is a left side elevation view of FIG. 1.
FIG. 5 is a front side elevation view of FIG. 1
FIG. 6 is a back side elevation view of FIG. 1; and,
FIG. 7 is a bottom plan view of FIG. 1.
The features shown in broken lines in the drawing depict portions of the body of a smart watch that form no part of the claimed design

1 Claim, 5 Drawing Sheets



(56)

References Cited

U.S. PATENT DOCUMENTS

D589,375 S 3/2009 Tang
 D629,012 S * 12/2010 Lee D14/203.7
 D632,984 S 2/2011 Register et al.
 D637,097 S 5/2011 Tseng
 D638,725 S * 5/2011 Morrison D10/39
 D644,542 S 9/2011 Henne et al.
 D665,680 S 8/2012 Shigeno et al.
 D688,967 S 9/2013 Wilson
 D693,248 S 11/2013 Anderssen et al.
 D693,249 S 11/2013 Anderssen et al.
 D715,167 S 10/2014 Busse
 D725,497 S * 3/2015 Henne D10/38
 D726,924 S * 4/2015 Tseng D24/186
 D728,562 S 5/2015 Park et al.
 D728,624 S * 5/2015 Akana D14/496
 D737,159 S 8/2015 Akana et al.
 D741,726 S 10/2015 Akana et al.
 D743,278 S 11/2015 Solomon et al.
 D745,005 S * 12/2015 Kim D10/38
 D746,702 S 1/2016 Galli
 D747,494 S 1/2016 Tamsiran
 D747,979 S * 1/2016 Babcock D10/30
 D749,570 S * 2/2016 Lee D14/344
 D751,550 S 3/2016 Solomon et al.
 D758,363 S * 6/2016 Akana D10/30
 D759,011 S * 6/2016 Akana D14/344
 D760,717 S * 7/2016 Solomon D14/344
 D763,107 S 8/2016 Nielsen et al.
 D765,655 S * 9/2016 Tao D10/38
 D766,115 S * 9/2016 Ma D10/38
 D766,218 S * 9/2016 Yang D14/218
 D766,752 S 9/2016 Akana et al.
 D769,869 S 10/2016 Zhou et al.
 D770,533 S * 11/2016 Akana D14/203.7
 D771,035 S 11/2016 Akana et al.
 D771,504 S 11/2016 Lai et al.
 D772,081 S 11/2016 Lee et al.
 D777,590 S 1/2017 Nielsen et al.
 9,551,608 B2 1/2017 Cho et al.
 D784,346 S * 4/2017 Tao D10/103
 D786,706 S 5/2017 Connor et al.
 9,658,347 B2 5/2017 Jacob et al.
 D789,219 S 6/2017 Ferraris et al.
 9,743,695 B2 8/2017 Yoo
 D800,172 S 10/2017 Akana et al.
 D800,721 S * 10/2017 Kim D14/344
 D800,725 S * 10/2017 Akana D14/371
 D802,587 S 11/2017 Lee et al.
 D805,413 S 12/2017 Chen et al.
 D805,513 S 12/2017 Akana et al.
 D805,929 S 12/2017 Akana et al.
 D806,880 S 1/2018 Henning
 D807,765 S * 1/2018 Akana D10/70
 D808,961 S * 1/2018 Lee D14/344
 D809,510 S 2/2018 Rochat et al.
 D813,058 S 3/2018 Kanikananta
 D813,229 S 3/2018 Ling et al.
 D816,695 S 5/2018 Spector
 10,038,361 B2 7/2018 Hajati et al.
 10,058,149 B1 8/2018 Wittenberg et al.
 D828,352 S * 9/2018 Akana D14/344
 D830,874 S 10/2018 Shames et al.
 D836,007 S * 12/2018 Duval D10/39
 D837,206 S * 1/2019 Guan D14/344
 D839,753 S * 2/2019 Domke D10/30
 D842,724 S * 3/2019 Vandenbussche D10/70
 D843,864 S * 3/2019 Vandenbussche D10/70
 D854,433 S * 7/2019 Vandenbussche D10/70
 D855,807 S 8/2019 Schroeder
 D855,813 S * 8/2019 Hu D24/186
 D862,462 S * 10/2019 Zhang D14/344
 D864,767 S * 10/2019 Vandenbussche D10/70
 D869,461 S * 12/2019 Ke D14/344
 D869,462 S * 12/2019 Ke D14/344

2015/0248235 A1 9/2015 Offenberg et al.
 2017/0100038 A1* 4/2017 Narusawa A61B 5/6843
 2017/0311884 A1 11/2017 Takahashi et al.

FOREIGN PATENT DOCUMENTS

CN 302930198 S 9/2014
 CN 303004622 S 11/2014
 CN 303246872 S 6/2015
 CN 303306813 S 7/2015
 CN 303356820 S 9/2015
 CN 303477261 S 12/2015
 CN 303506081 S 12/2015
 CN 303518931 S 12/2015
 CN 303540593 S 1/2016
 CN 303675678 S 5/2016
 CN 303709447 S 6/2016
 CN 303754167 S 7/2016
 CN 303770285 S 8/2016
 CN 303770318 S 8/2016
 CN 303795823 S 8/2016
 CN 303814677 S 8/2016
 CN 303995256 S 1/2017
 CN 304020160 S 2/2017
 CN 304071447 S 3/2017
 CN 304094572 S 4/2017
 CN 304144485 S 5/2017
 CN 304157225 S 6/2017
 CN 304244860 S 8/2017
 CN 304326771 S 10/2017
 CN 304374415 S 11/2017
 CN 304399311 S 12/2017
 CN 304425668 S 12/2017
 CN 304436817 S 1/2018
 CN 304436826 S 1/2018
 CN 304442939 S 1/2018
 CN 304492882 S 2/2018
 CN 304534953 S 3/2018
 CN 304565317 S 4/2018
 CN 304582985 S 4/2018
 CN 304629080 S 5/2018
 CN 304704202 S 6/2018
 CN 304710123 S 7/2018
 CN 304716087 S 7/2018
 CN 304730761 S 7/2018
 CN 304782979 S 8/2018
 CN 207833246 U 9/2018
 CN 304805429 S 9/2018
 CN 304825093 S 9/2018
 CN 304828368 S 9/2018
 CN 304833706 S 9/2018
 CN 304847172 S 10/2018
 CN 304856681 S 10/2018
 CN 304856828 S 10/2018
 CN 304873653 S9 11/2018
 CN 304880236 S 11/2018
 CN 304918326 S 11/2018
 CN 304925451 S 12/2018
 CN 304925455 S 12/2018
 CN 304951030 S 12/2018
 CN 109188891 A 1/2019
 CN 304873653 * 1/2019
 CN 304973149 S 1/2019
 CN 304973151 * 1/2019
 CN 304973151 S 1/2019
 CN 305070141 S 3/2019
 CN 208752405 U 4/2019
 CN 305114170 S 4/2019
 CN 305140383 S 5/2019
 CN 305146930 S 5/2019
 CN 305178015 S 5/2019
 CN 305178209 S 5/2019
 CN 305178214 S 5/2019
 CN 209949202 U 1/2020
 CN 305580115 S 1/2020
 EM 001109706-0017 3/2009
 EM 003027218-0001 3/2016
 EM 004428274-0006 10/2017
 EM 005248101-0001 4/2018

(56)

References Cited

FOREIGN PATENT DOCUMENTS

EM	005248101-0001	*	6/2018
EM	0056242624-0002		8/2018
EM	005832243-0001		11/2018
EM	005940475-0003		12/2018
EM	006428686-0001	*	8/2019
EM	006428686-0002	*	8/2019
EM	006428686-0007	*	8/2019
EM	005659018-0001		9/2019
GB	2034016		9/1993
GB	2071498		1/1998
GB	6041455		8/2018
GB	6041462		8/2018
IN	287980		12/2016
JP	D1627277	*	3/2019
KR	30-0881011		11/2016
KR	20-0483102	Y1	4/2017
WO	DM032249-033		2/1995
WO	DM048610-001		7/1999
WO	DM046720-002		9/1999
WO	DM050714-003		2/2000
WO	DM052261-018		6/2000
WO	DM053903-001		11/2000
WO	DM056258-003		5/2001
WO	DM060327-002		6/2002
WO	DM064634-003		11/2003
WO	DM064877-003		1/2004
WO	DM065602-002		7/2004
WO	DM069848-002		3/2008
WO	DM070127-002		5/2008
WO	DM069849-001		8/2008
WO	DM083337-003		4/2014
WO	DM083370-001		4/2014
WO	DM087754-003		9/2015
WO	DM090387-001		4/2016
WO	DM092631-001		9/2016
WO	DM092900-002		10/2016
WO	DM096669-001		6/2017
WO	DM099907-002		1/2018

OTHER PUBLICATIONS

Fitbit Versa Lite review: Lower cost with little sacrifice, announced Apr. 3, 2019 [online], [retrieved Sep. 25, 2019]. Available from Internet, URL: <<https://www.macworld.com/article/3386382/fitbit-versa-lite-review.html>> (Year: 2019).*

POY Compatible Bands Replacement for Fitbit Alta, Fitbit Alta HR sold on Amazon. Website accessed Mar. 1, 2019.

Monster Fitness Multicolor Replacement Bands for Fitbit Flex sold on Amazon. Website accessed Mar. 1, 2019.

iGK Fitbit Alta Bands—replacement sport strap bands for Fitbit Alta for sale at Walmart (www.walmart.com). Website accessed Nov. 7, 2018.

Suunto Core watchband on Instagram. Accessed Feb. 7, 2017.

Suppa G-Shock Strap Adapters, online at least as early as Dec. 13, 2013. Accessed Feb. 7, 2017.

Monserat de Lucca Measuring Tape Bracelet for sale at Shopbop (www.shopbop.com). Website accessed Nov. 11, 2018.

Marc by Marc Jacobs Engraved Turlock Leather Bangle Bracelet for sale at Shopbop (www.shopbop.com). Website accessed Nov. 11, 2018.

ACBEE Replacement watch band with buckle for Fitbit Alta for sale at www.amazon.com, Website accessed Nov. 7, 2018.

Perfit rubber watch band with double prong buckle and spring bars for sale at www.amazon.com. Website accessed Nov. 7, 2018.

Waterproof diving silicone rubber strap with clasp for sale at www.aliexpress.com (Alibaba Group). Website accessed Feb. 7, 2018.

Damusy Fitness Tracker Smart Band for sale at www.activityandfitnesstrackers.com. Website accessed Nov. 10, 2018.

Volemer F09HR Smart Band Fitness Tracker for sale at www.epaky.com. Website accessed Nov. 10, 2018.

“First Look: Fitbit announces new Fitbit Alta activity tracker”, published Feb. 3, 2016 on DC Rainmaker (www.dcrainmaker.com). Website accessed Nov. 19, 2018.

Fitbit Alta—for sale by Fitbit (<https://www.fitbit.com/alta>). Website accessed Mar. 27, 2017.

Fitbit Alta replacement bands—for sale at www.amazon.com. Website accessed Jul. 17, 2017.

Fitbit Alta review published Mar. 25, 2016 on CNet (www.cnet.com). Website accessed Nov. 10, 2018.

Fitbit Charge 2 Heart Rate and Fitness Wristband for sale at www.amazon.co.uk. Website accessed Feb. 7, 2018.

Fitbit Flex Wireless Activity and Sleep Wristband for sale at www.amazon.com. Listed at least as early as Apr. 16, 2013.

Fitbit Ionic Accessory Band for sale at Nordstrom (<https://shop.nordstrom.com>). Website accessed Nov. 7, 2018.

Fitbit Alta HR Bands for sale at The Fitness Equipment Shop (www.thefitnessequipmentshop.com). Website accessed Nov. 17, 2018.

Luminox Replacement Rubber Watch Band Strap for sale at Walmart (www.walmart.com). Website accessed Nov. 7, 2018.

“MPOW DS-D6 Fitness Band Review” published Jan. 13, 2018 on ZeroAir (www.zeroair.wordpress.com). Website accessed Nov. 10, 2018.

“Fitbit Product Teardown” on Pinterest, pinned from www.ifixit.com. Website accessed Feb. 27, 2017.

Pro Elite Medicine Ball by Power Systems (www.power-systems.com). Website accessed Feb. 7, 2018.

Replacement metal watch band Connector for Fitbit Alta/Fitbit Alta HR for sale at Banggood (www.banggood.com). Website accessed Nov. 10, 2018.

Citrine by the Stones Sol Forearm Band for sale at Shopbop (www.shopbop.com). Website accessed Nov. 11, 2018.

Sorjana Mia Wrap Cuff for sale at Shopbop (www.shopbop.com). Website accessed Nov. 11, 2018.

Fintie for Gear S2 Watch Band Stainless Steel Metal Replacement Strap, for sale at www.amazon.com. Website accessed Apr. 24, 2019.

Fitbit Inspire HR review: One size, many styles, fit all, posted May 24, 2019, [retrieved Jun. 5, 2019]. Retrieved from Internet, <URL:<https://www.macworld.com/article/3397320/fitbit-inspire-hr-review.html>>.

The New Fitbit Inspire HR is Finally Available to the Public!, posted Mar. 6, 2019, [retrieved Jun. 5, 2019]. Retrieved from Internet, <URL: <https://amyeverafter.com/new-fitbit-inspire-hr-smartwatch/>>. Samsung’s 6th smartwatch has a 3G modem and a massive curved display, posted Aug. 28, 2014, [retrieved Jun. 5, 2019]. Retrieved from Internet, <URL:<https://arstechnica.com/gadgets/2014/08/samsungs-fith-smartwatch-has-a-3g-modern-and-a-massive-curved-display/>>.

Microsoft Band 2 Fitness Tracker with Curved Screen Announced, posted Oct. 7, 2015, [retrieved Jun. 5, 2019]. Retrieved from Internet, <URL: <https://gadgets.in.com/microsoft-band-2-fitness-tracker-with-curved-screen-announced.html>>.

Samsung Introduces Three New Wearables for Balanced and Connected Living, Samsung Newsroom, posted Feb. 20, 2019, accessed Feb. 25, 2019. <URL: <https://news.samsung.com/us/samsung-wearable-galaxy-watch-active-galaxy-fit-galaxy-buds-unpacked-2019/>>.

U.S. Appl. No. 29/572,967, filed Aug. 1, 2016, applicant Fitbit, Inc. Per rule 609.07

U.S. Appl. No. 29/614,479, filed Aug. 18, 2017, applicant Fitbit, Inc. Per rule 609.07.

U.S. Appl. No. 29/593,261, filed Feb. 7, 2017, applicant Fitbit, Inc. Per rule 609.07.

U.S. Appl. No. 29/596,216, filed Mar. 6, 2017, applicant Fitbit, Inc. Per rule 609.07.

U.S. Appl. No. 29/602,541, filed May 1, 2017, applicant Fitbit, Inc. Per rule 609.07.

U.S. Appl. No. 29/656,638, filed Jul. 13, 2018, applicant Fitbit, Inc. Per rule 609.07.

U.S. Appl. No. 29/671,175, filed Nov. 24, 2018, applicant Fitbit, Inc. Per rule 609.07.

(56)

References Cited

OTHER PUBLICATIONS

U.S. Appl. No. 29/671,143, filed Nov. 24, 2018, applicant Fitbit, Inc. Per rule 609.07.

U.S. Appl. No. 29/670,971, filed Nov. 24, 2018, applicant Fitbit, Inc. Per rule 609.07.

U.S. Appl. No. 29/671,146, filed Nov. 24, 2018, applicant Fitbit, Inc. Per rule 609.07.

U.S. Appl. No. 29/671,144, filed Nov. 24, 2018, applicant Fitbit, Inc. Per rule 609.07.

U.S. Appl. No. 29/669,190, filed Nov. 6, 2018, applicant Fitbit, Inc. Per MPEP rule 609.07.

U.S. Appl. No. 29/688,946, filed Apr. 25, 2019, applicant Fitbit, Inc. Per MPEP rule 609.07.

U.S. Appl. No. 29/690,658, filed May 9, 2019, applicant Fitbit, Inc. Per MPEP rule 609.07.

U.S. Appl. No. 29/701,730, filed Aug. 14, 2019, applicant Fitbit, Inc. Per MPEP rule 609.07.

U.S. Appl. No. 29/701,729, filed Aug. 14, 2019, applicant Fitbit, Inc. Per MPEP rule 609.07.

U.S. Appl. No. 29/692,719, filed May 28, 2019, applicant Fitbit, Inc. Per MPEP rule 609.07.

U.S. Appl. No. 29/702,397, filed Aug. 19, 2019, applicant Fitbit, Inc. Per MPEP rule 609.07.

U.S. Appl. No. 29/702,572, filed Aug. 20, 2019, applicant Fitbit, Inc. Per MPEP rule 609.07.

U.S. Appl. No. 29/702,703, filed Aug. 21, 2019, applicant Fitbit, Inc. Per MPEP rule 609.07.

Fitbit Versa Lite Smartwatch and Activity Tracker, for sale at hsn.com (<https://www.hsn.com/products/fitbit-versa-smartwatch-and-activity-tracker-with-class/8688605>), May 31, 2019.

Fitbit Versa Smartwatch, for sale at kohls.com (<https://www.kohls.com/product/prd-3296179/fitbit-versa-smart-fitness-watch-non-nfc.jsp>), Apr. 17, 2018.

ACBEE Fitbit alta Band, Watch Buckle Design, for sale on amazon.com (https://www.amazon.com/ACBEE-Perfect-Replacement-Original-Band-Never/dp/B01G2IECXO/ref=as_li_ss_tl?ie=UTF8&linkCode=s11&tag=mbyte-20&linkId=d7045d83d76ae70cec2212,2019.55ad2f282088&linkCode=w61&imprToken=n-LMJ6kaAeLbRPMusOUq7A&slotNum=14). Website accessed Jun. 12, 2019.

Alfawise H19 RFID Sports Smartwatch Fitness Tracker—Black, for sale at gearbest.com (https://www.gearbest.com/smart-watches/pp_009207049039.html?wid=1433363). Website accessed Jun. 12, 2019.

Gold premium NATO Strap Le mans, for sale at cheapestnatostraps.com (<https://www.cheapestnatostraps.com/products/gold-premium-nato-strap-le-mans>). Website accessed Jun. 12, 2019.

Princeton University 18mm NATO Watch Strap with Silver Fittings (<https://www.smartturnout.com/university-watchstrap-princeton-university/>). Website accessed Jun. 12, 2019.

Silicone Rubber Waterproof Watch Strap Band FORTE Spring Bars 20mm 22mm 24mm _ eBay, available from eBay Australia (<https://www.ebay.com.au/itm/Silicone-Rubber-Waterproof-Watch-Strap-Band-FORTE-Spring-Bars-20mm-22mm-24mm-/272077865335>). Website accessed Jun. 12, 2019.

* cited by examiner

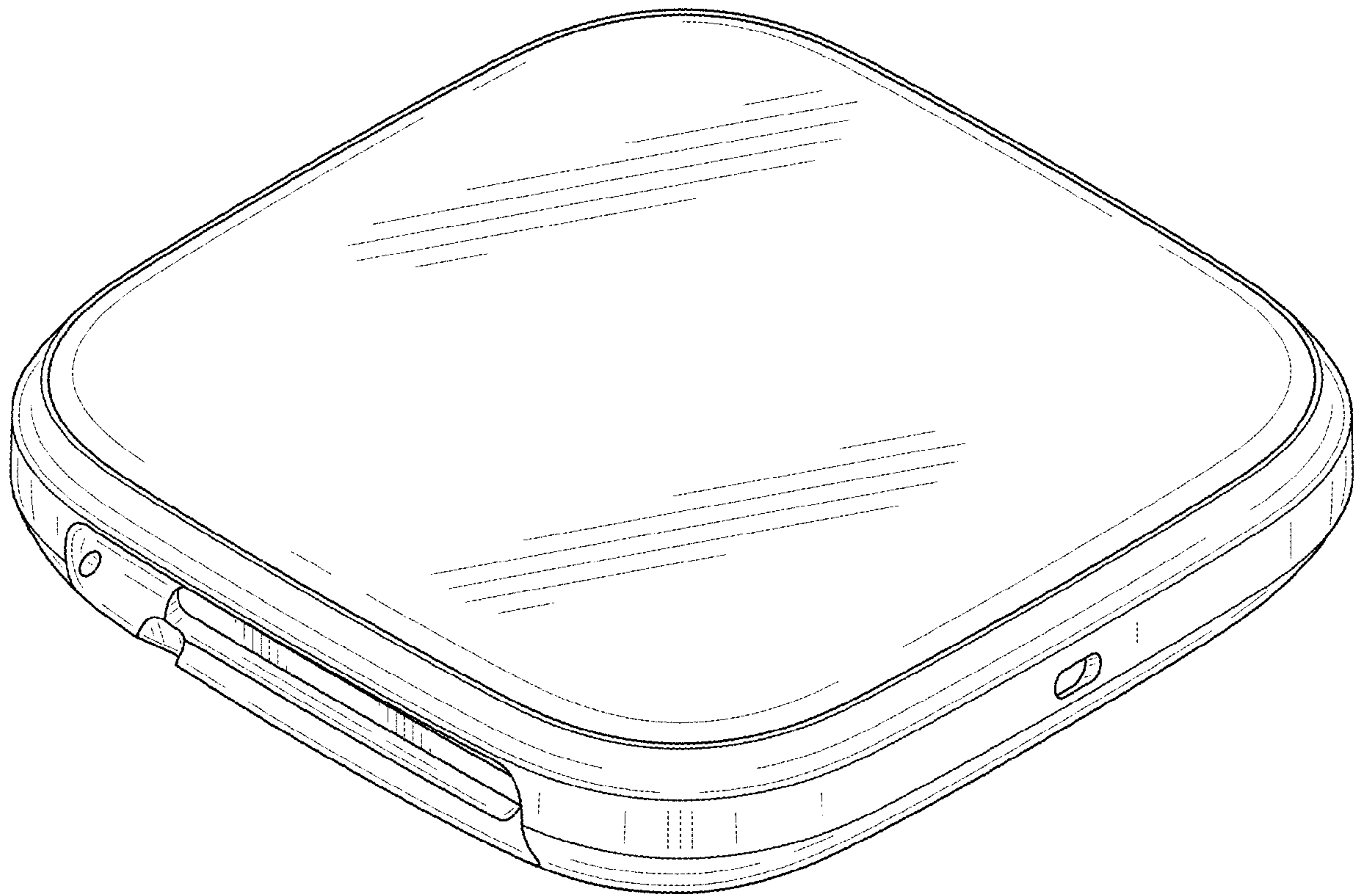


FIG. 1

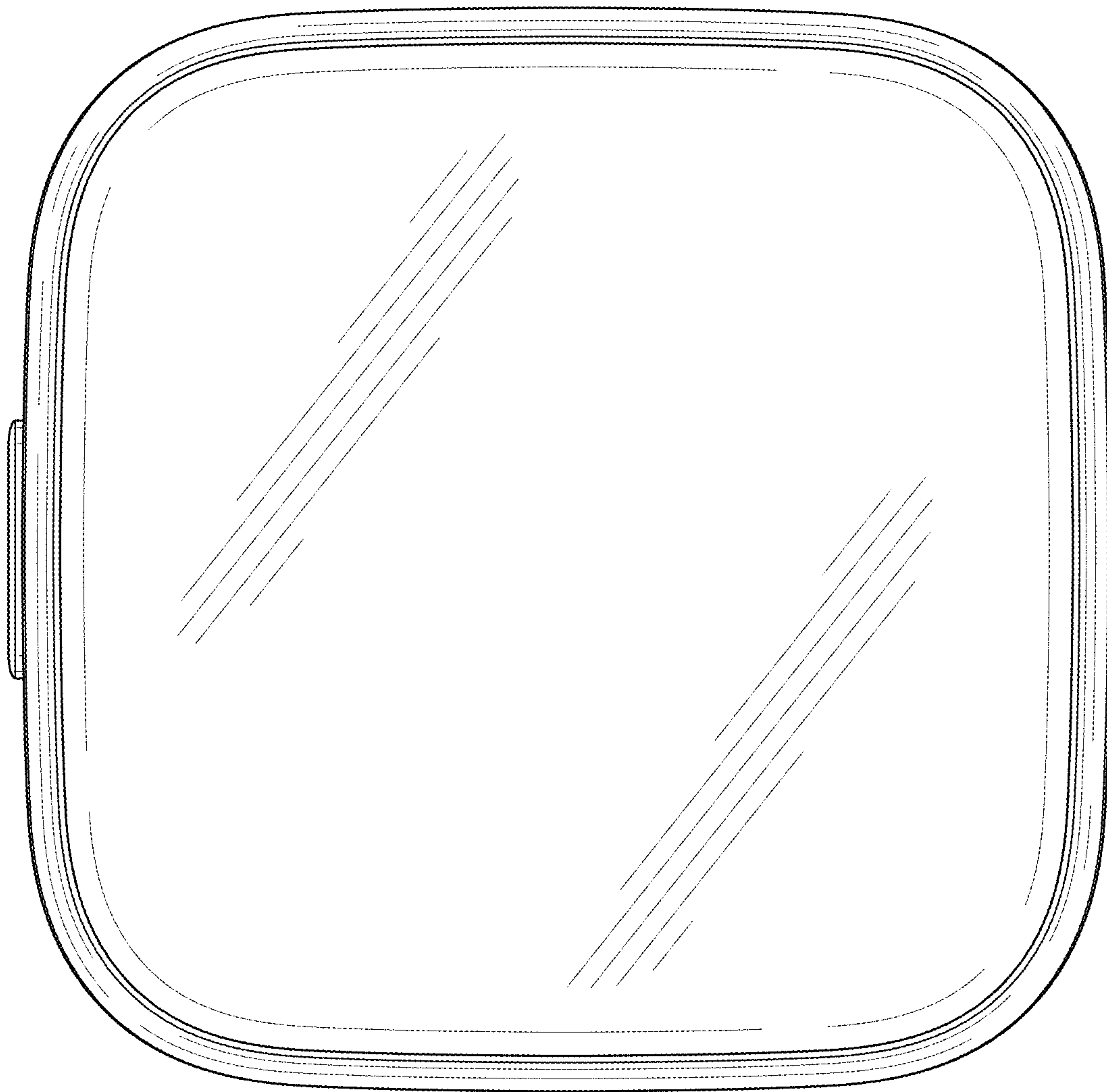


FIG. 2

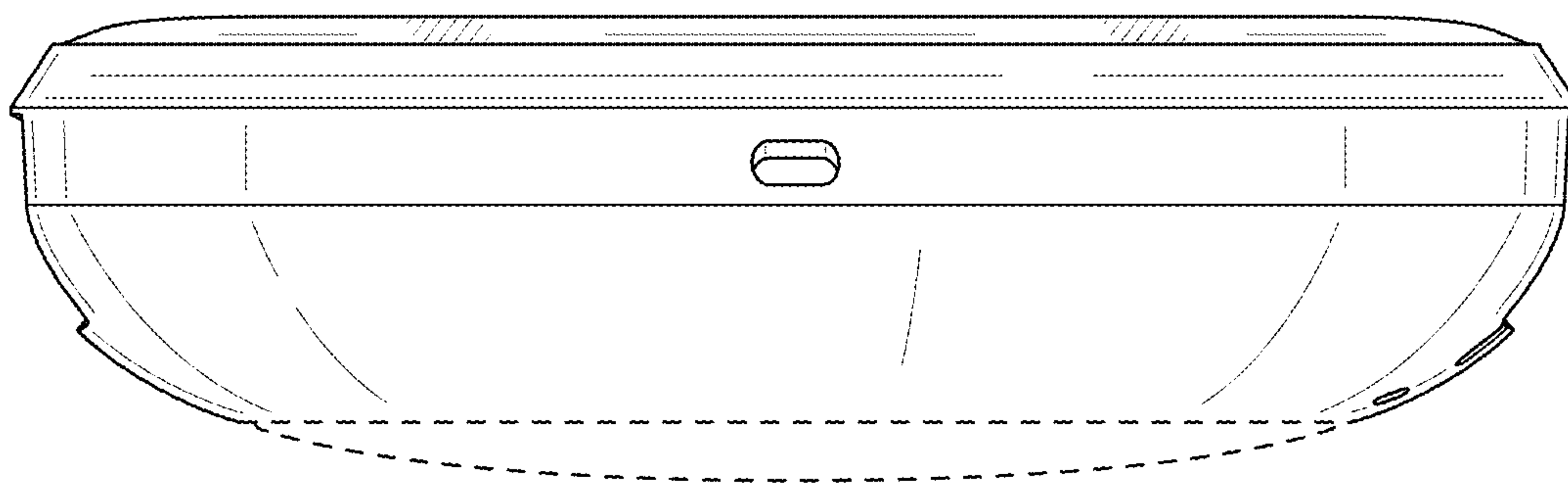


FIG. 3

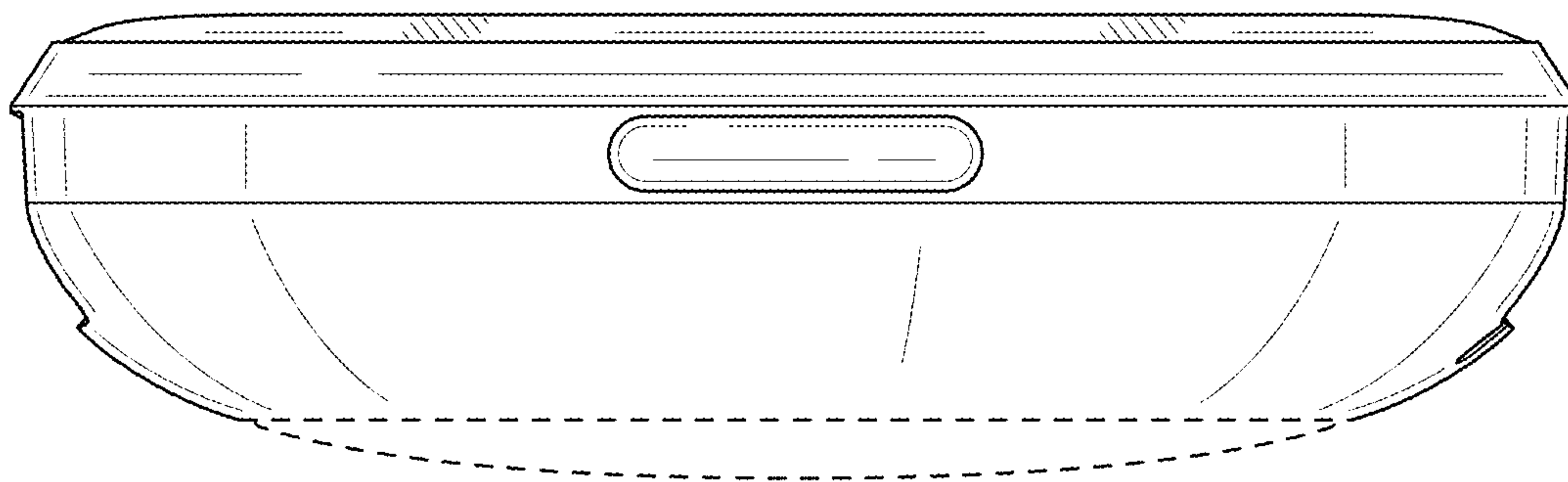


FIG. 4

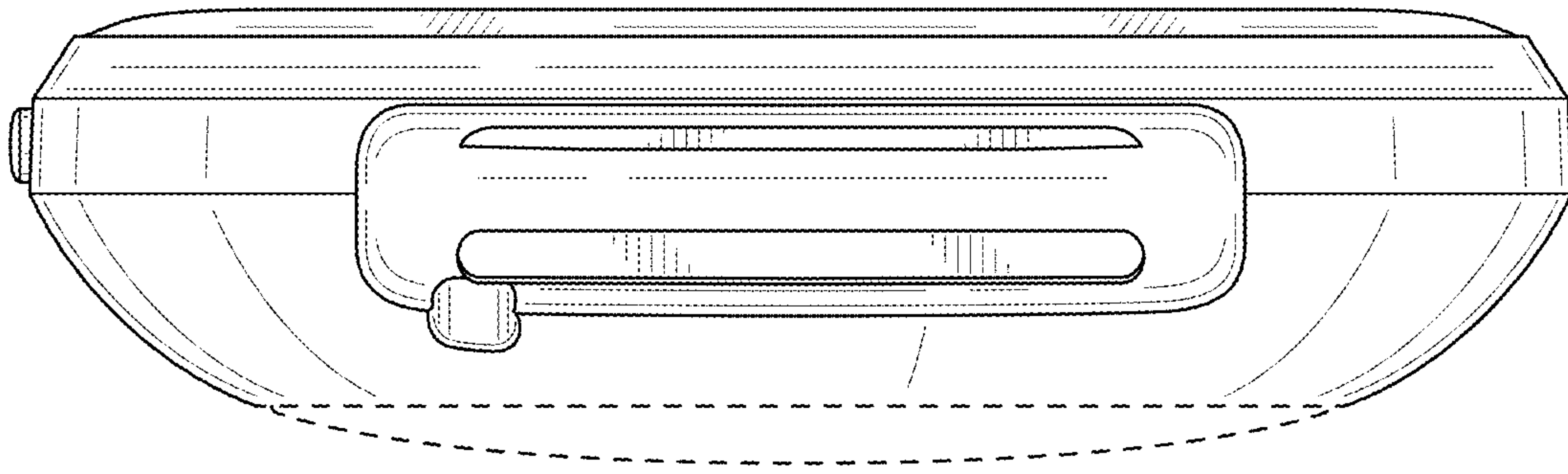


FIG. 5

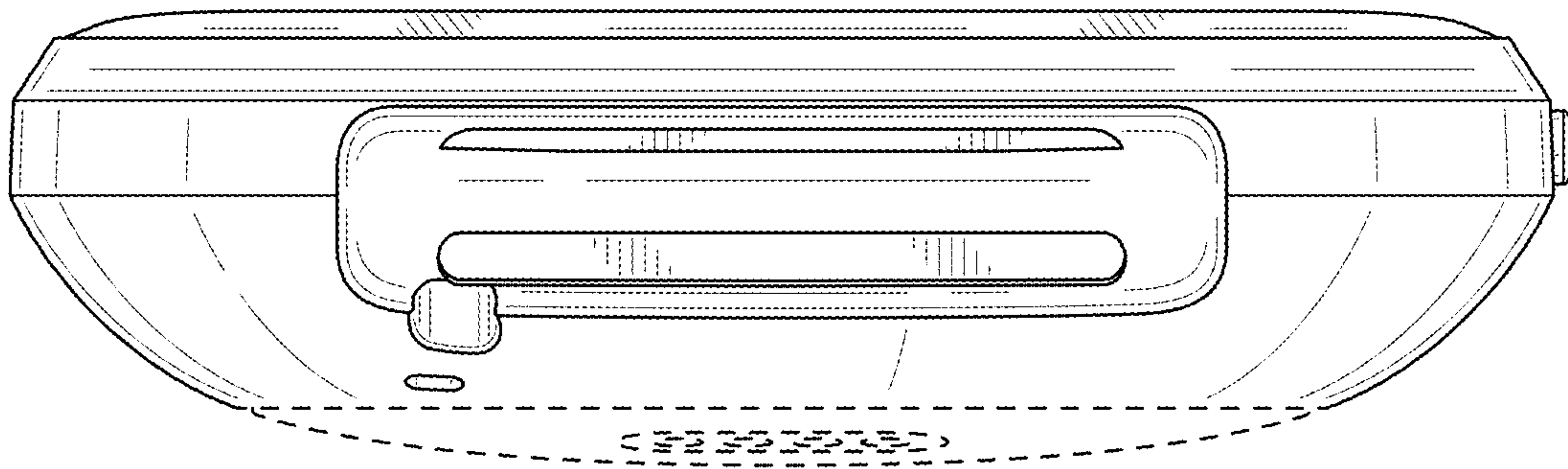


FIG. 6



FIG. 7