



US00D900807S

(12) **United States Design Patent**
Nishizawa

(10) **Patent No.:** **US D900,807 S**

(45) **Date of Patent:** **** Nov. 3, 2020**

(54) **COORDINATE INPUT DEVICE**

(71) Applicant: **Wacom Co., Ltd.**, Kazo-shi, Saitama (JP)

(72) Inventor: **Naoya Nishizawa**, Setagaya-ku (JP)

(73) Assignee: **Wacom Co., Ltd.**, Kazo-shi (JP)

(**) Term: **15 Years**

(21) Appl. No.: **29/634,840**

(22) Filed: **Jan. 25, 2018**

(30) **Foreign Application Priority Data**

Jul. 28, 2017 (JP) 2017-016390

(51) **LOC (12) Cl.** **14-02**

(52) **U.S. Cl.**
USPC **D14/341**; D14/389

(58) **Field of Classification Search**
USPC D14/341-347, 315-318, 420, 426,
D14/129-130, 496, 138, 138 G, 138 R,
D14/138 AA, 138 AB, 138 C, 139, 248,
D14/203.4, 203.7, 388-389; D10/104.4,
D10/50, 65, 74; D21/324, 329, 330, 332;
D6/308, 310; D19/29, 59, 60
CPC G06F 1/1626; G06F 1/1613; G06F
2200/1633; G06F 3/0488; G06F 3/04886;
G06F 3/044; G06F 3/0412; G06F 3/0416;
H04B 1/3833

See application file for complete search history.

(56) **References Cited**

U.S. PATENT DOCUMENTS

D466,501 S * 12/2002 Hirota D14/339
D514,091 S * 1/2006 Sube D14/214
D634,320 S * 3/2011 Bliven D14/336
D636,187 S * 4/2011 Kim D6/308
D640,654 S * 6/2011 Montag D14/129

D669,076 S * 10/2012 Haller D14/374
D674,384 S * 1/2013 Zhang D14/341
D679,706 S * 4/2013 Tang D14/341

(Continued)

FOREIGN PATENT DOCUMENTS

CN 201430565152.7 9/2015
EM 003859925-0001 5/2017

(Continued)

OTHER PUBLICATIONS

Wacom presents their professional interactive larger monitors, announced May 18, 2018 [online], [retrieved Oct. 23, 2019]. Available from Internet, URL: <<https://www.digitalavmagazine.com/en/2018/03/05/wacom-presenta-monitores-interactivos-profesionales-mayor-tamano/>> (Year: 2018).*

(Continued)

Primary Examiner — Dana K Weiland

(74) *Attorney, Agent, or Firm* — Christensen O'Connor Johnson Kindness PLLC

(57) **CLAIM**

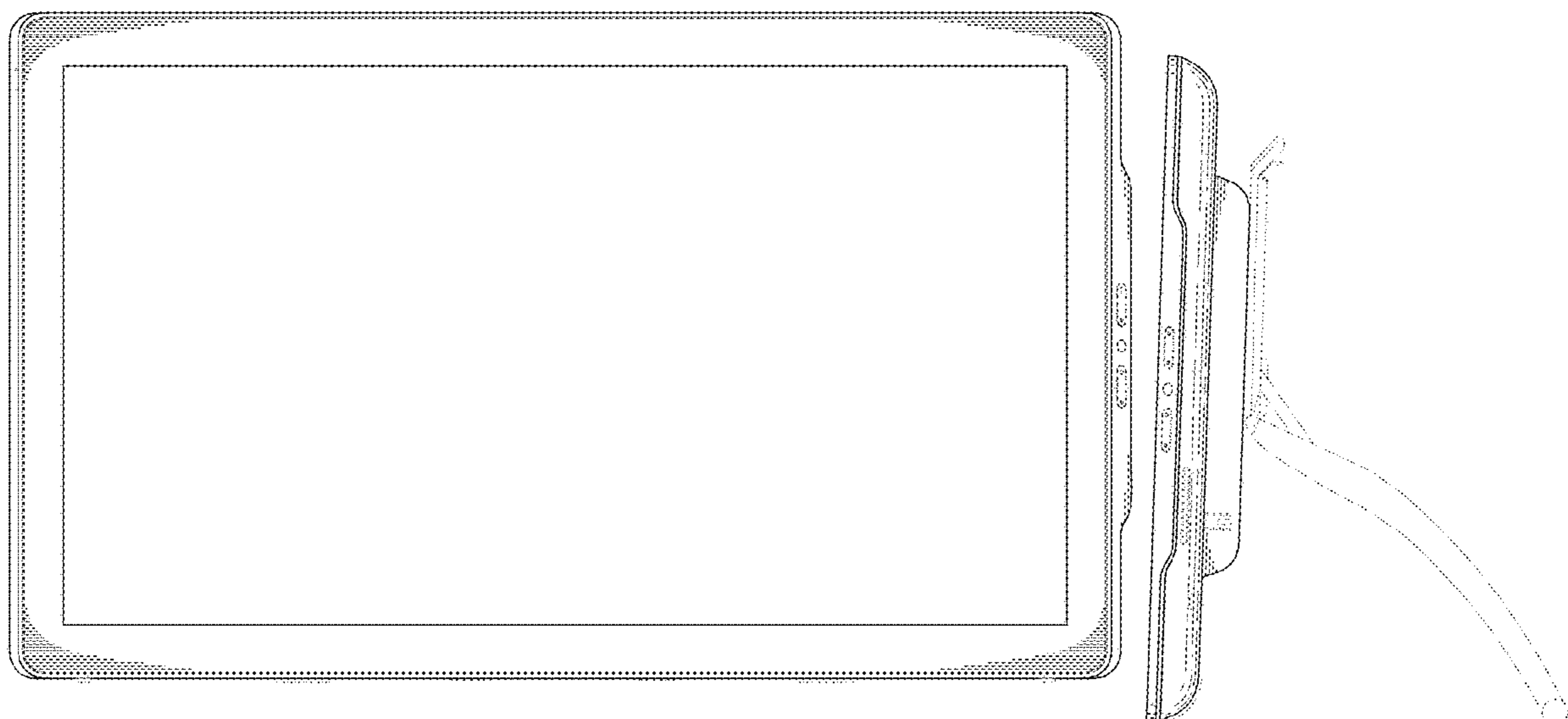
The ornamental design for a coordinate input device, as shown and described.

DESCRIPTION

FIG. 1 is a top-front-right perspective view of a coordinate input device according to my new design; FIG. 2 is a bottom-rear-left perspective view thereof; FIG. 3 is a front elevational view thereof, FIG. 4 is a rear elevational view thereof, FIG. 5 a left side elevational view thereof; FIG. 6 a right side elevational view thereof, FIG. 7 is a top plan view thereof; and, FIG. 8 is a bottom plan view thereof.

The dashed broken lines in the drawings show portions of the coordinate input device that form no part of the claimed design.

1 Claim, 7 Drawing Sheets



(56)

References Cited

U.S. PATENT DOCUMENTS

D680,526 S * 4/2013 Gammon D14/341
 D684,970 S * 6/2013 Zhang D14/341
 D688,955 S * 9/2013 Deligiannis D10/50
 D693,343 S * 11/2013 Haller D14/374
 D705,775 S * 5/2014 Canizares D14/341
 D716,297 S * 10/2014 ZhenHua D14/371
 D732,020 S * 6/2015 Seoc D14/341
 D732,029 S * 6/2015 Huh D14/374
 D733,127 S * 6/2015 Sung D14/341
 D738,875 S * 9/2015 Seoc D14/341
 D740,804 S * 10/2015 Hovdal D14/341
 D750,066 S * 2/2016 Lin D14/341
 D756,290 S * 5/2016 Cho D12/415
 D778,279 S * 2/2017 Pendse D14/341
 D783,017 S * 4/2017 Widiaman D14/341
 D794,630 S * 8/2017 Pendse D14/341
 D807,346 S * 1/2018 Honda D14/336
 D822,654 S * 7/2018 Nuk D14/341
 D842,857 S * 3/2019 Kimura D14/371
 D849,741 S * 5/2019 Wei D14/336

D852,272 S * 6/2019 Lim D19/113
 D861,177 S * 9/2019 Kim D24/186
 D862,470 S * 10/2019 Kang D14/374

FOREIGN PATENT DOCUMENTS

JP D1278341 S 8/2006
 JP D1278507 S 8/2006
 JP D1278508 S 8/2006
 JP D1591666 * 11/2018

OTHER PUBLICATIONS

GAOMON PD1560, announced Sep. 25, 2017 [online], [retrieved Oct. 23, 2019]. Available from Internet, URL: <<https://www.amazon.com/GAOMON-Display-Drawing-Shortcut-Windows/dp/B075WSRLC6>> (Year: 2017).*

Wacom Cintiq Adjustable Stand, announced Oct. 14, 2016 [online], [retrieved Oct. 23, 2019]. Available from Internet, URL: <<https://www.amazon.com/ACK-620K-Wacom-Display-Stand/dp/B01MDM0GOQ#customerReviews>> (Year: 2016).*

“DTK-2241,” LCD pen tablet, © 2017 Wacom Co., Ltd., 2-page brochure.

* cited by examiner

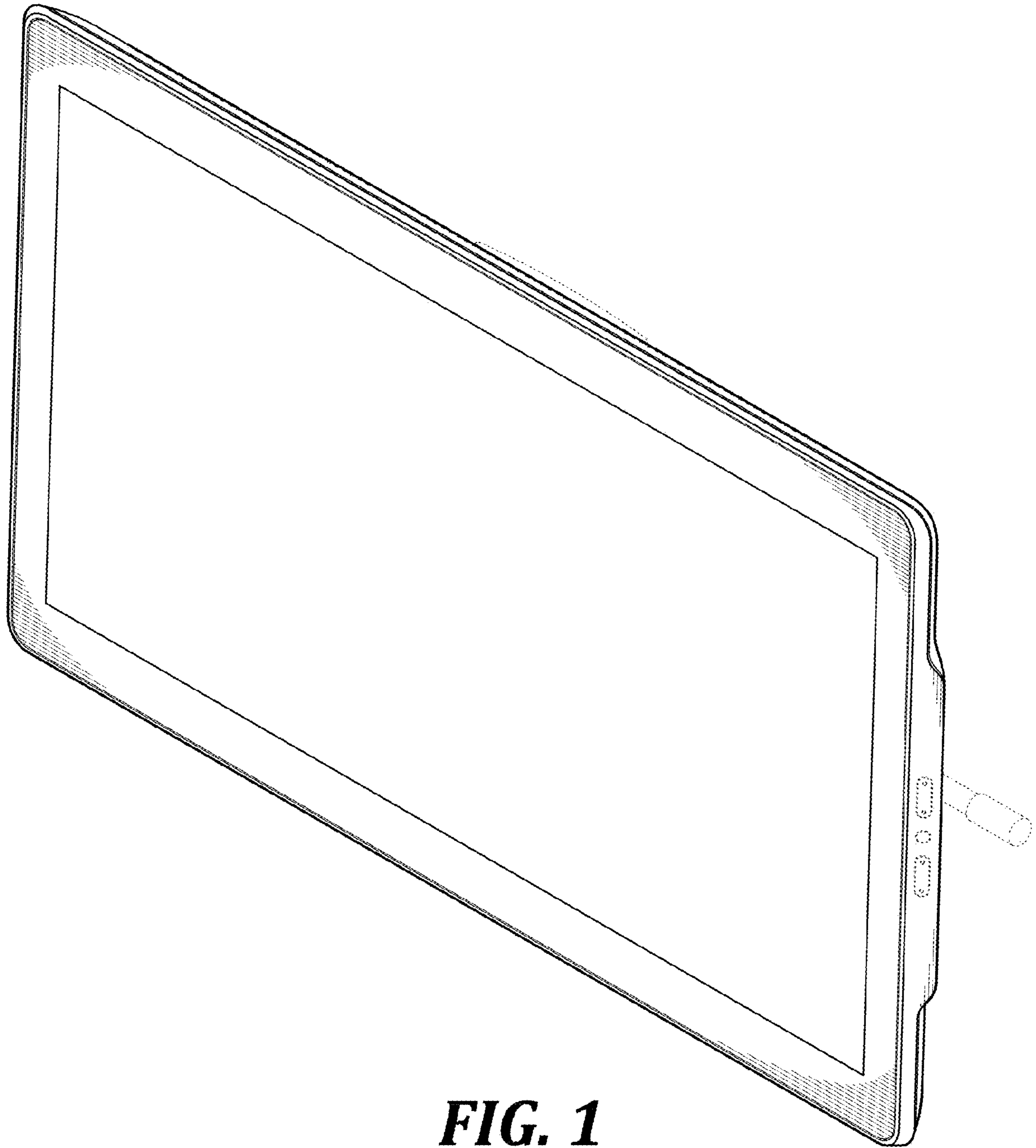


FIG. 1

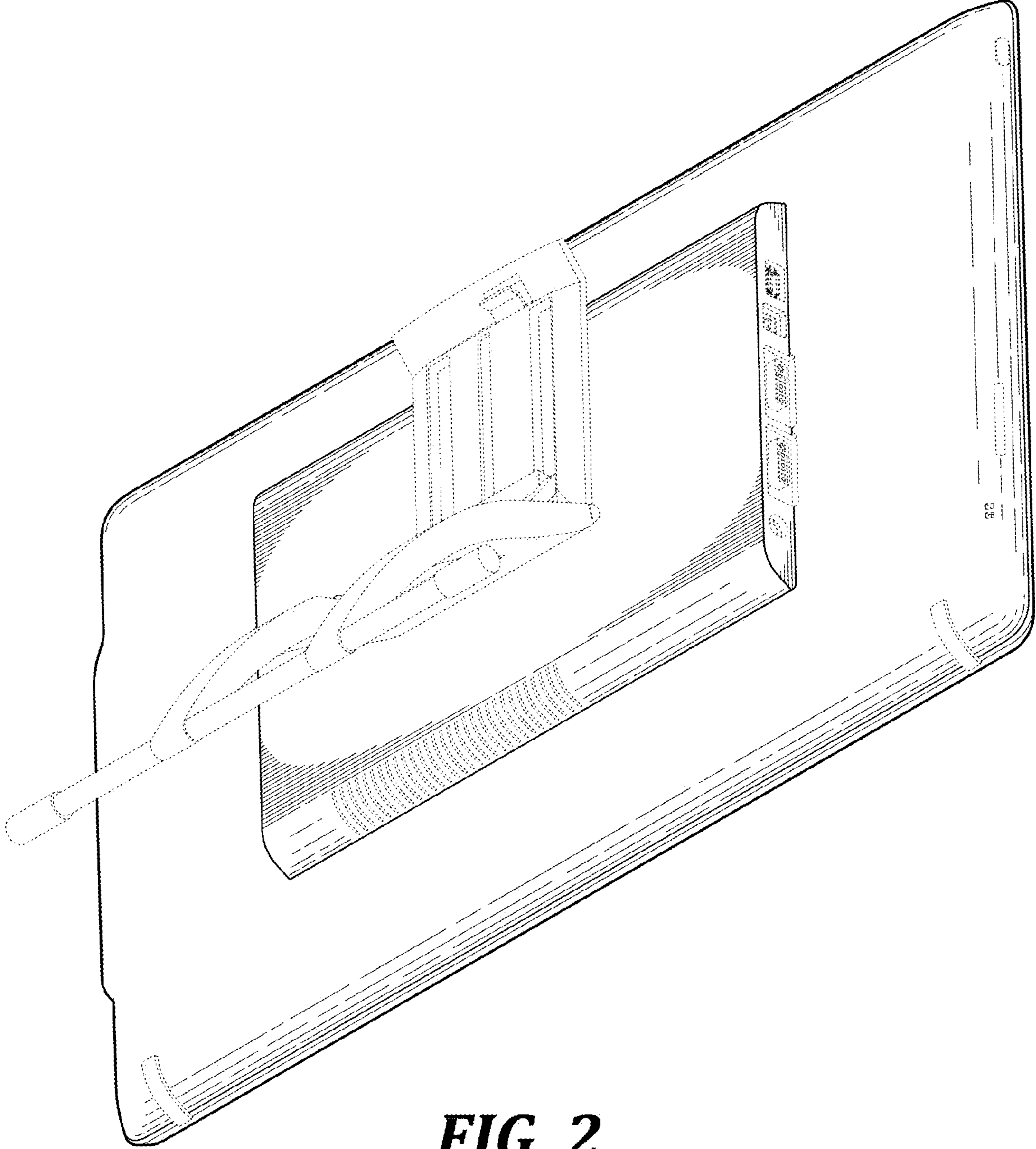


FIG. 2

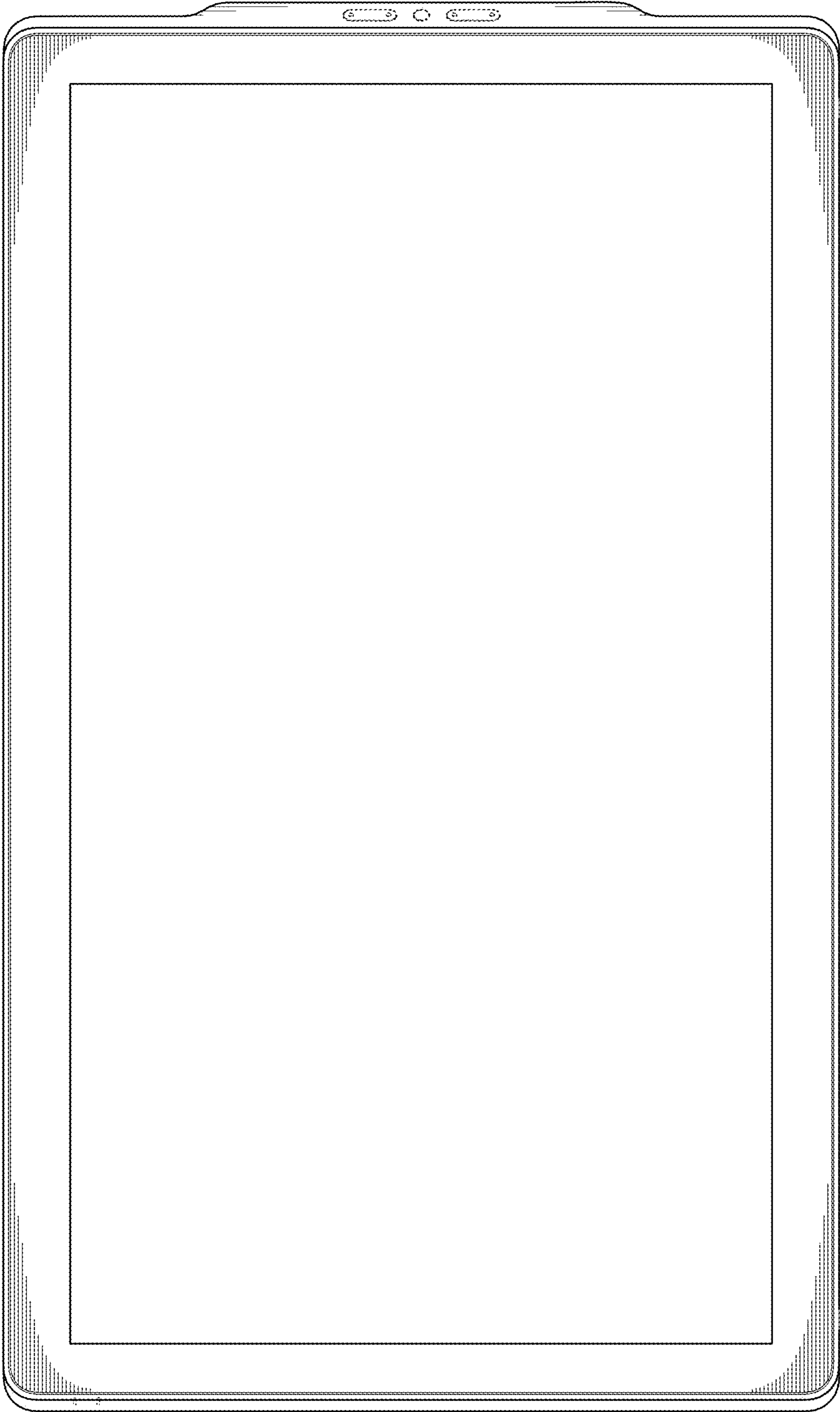


FIG. 3

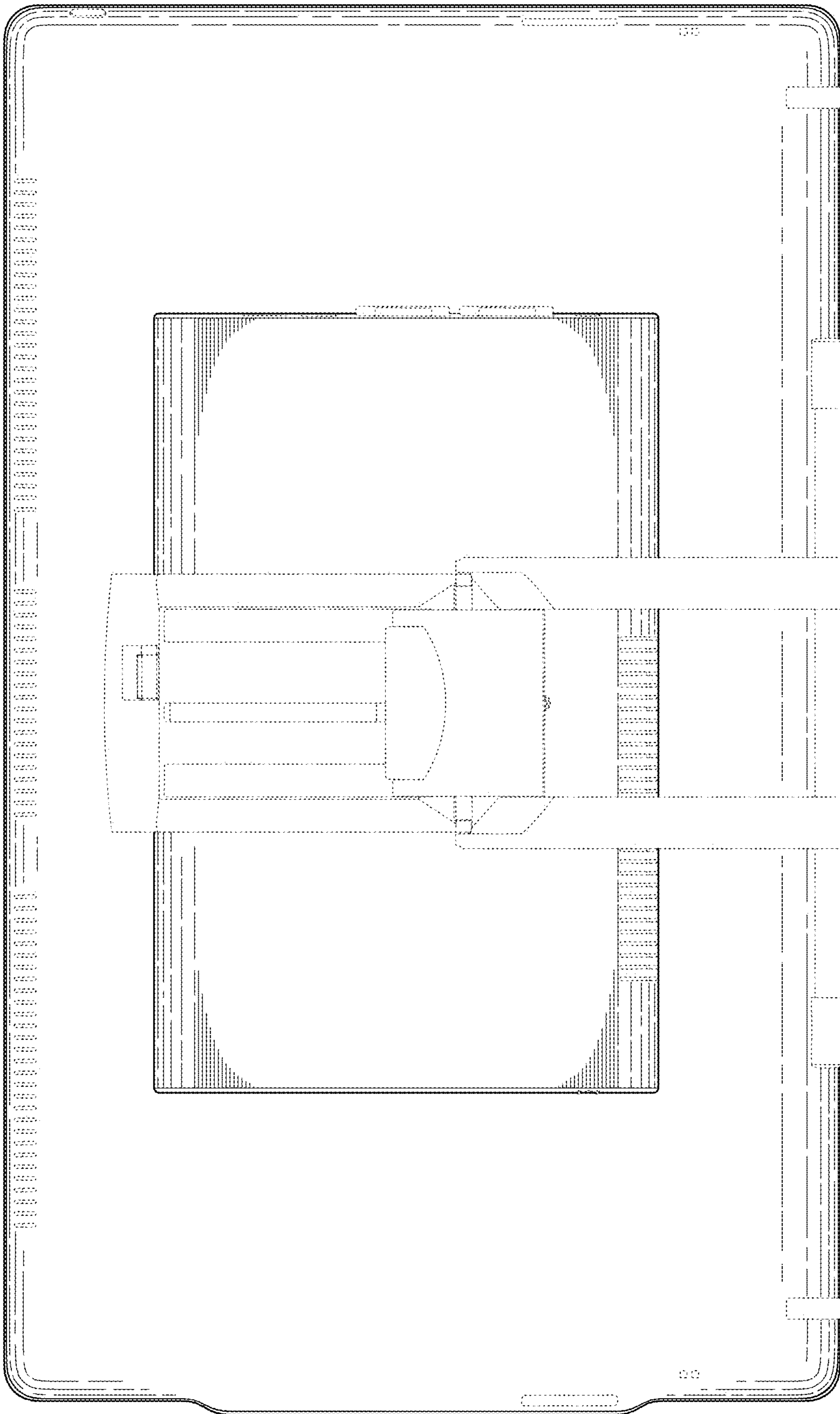


FIG. 4

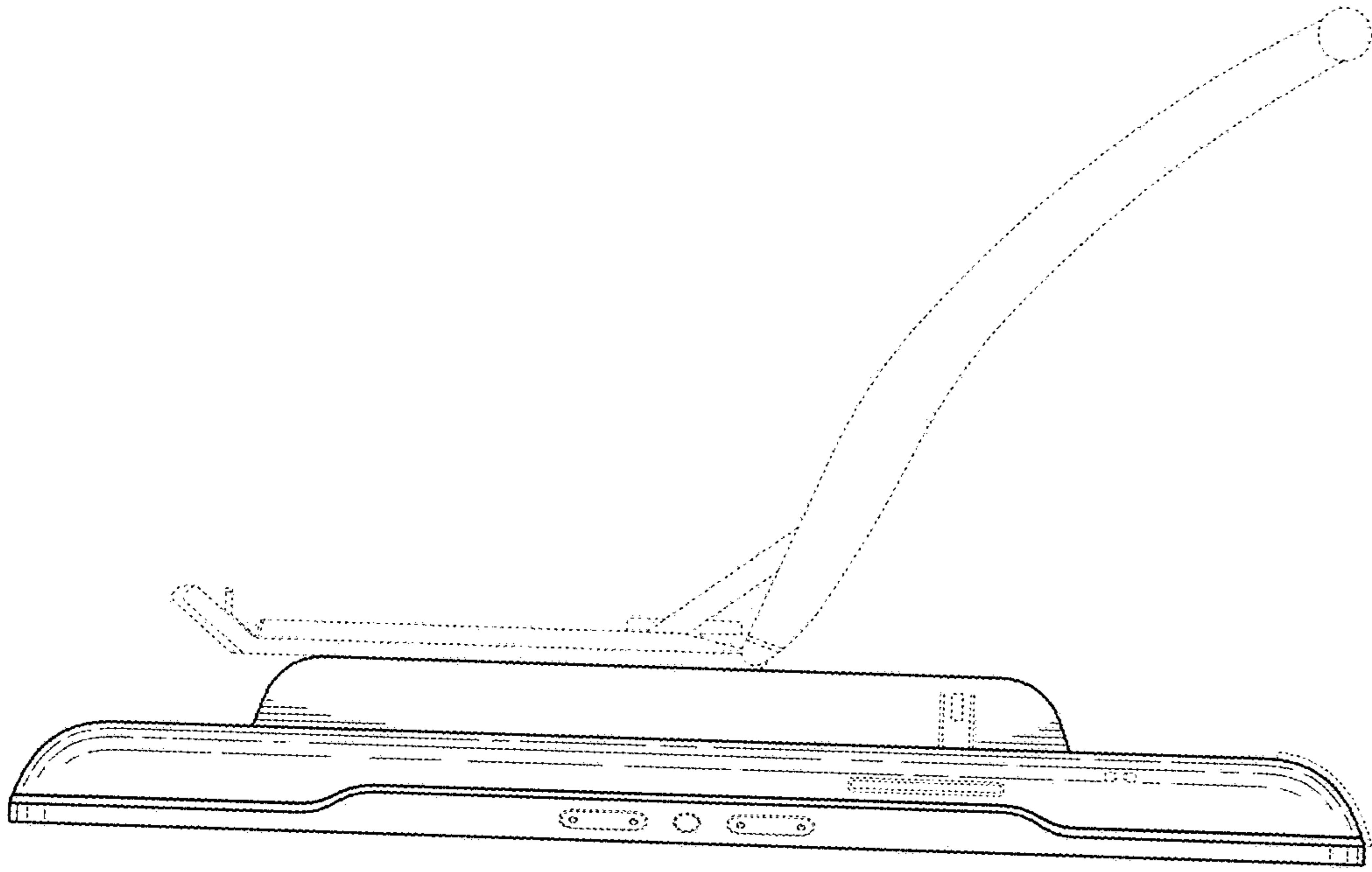


FIG. 6

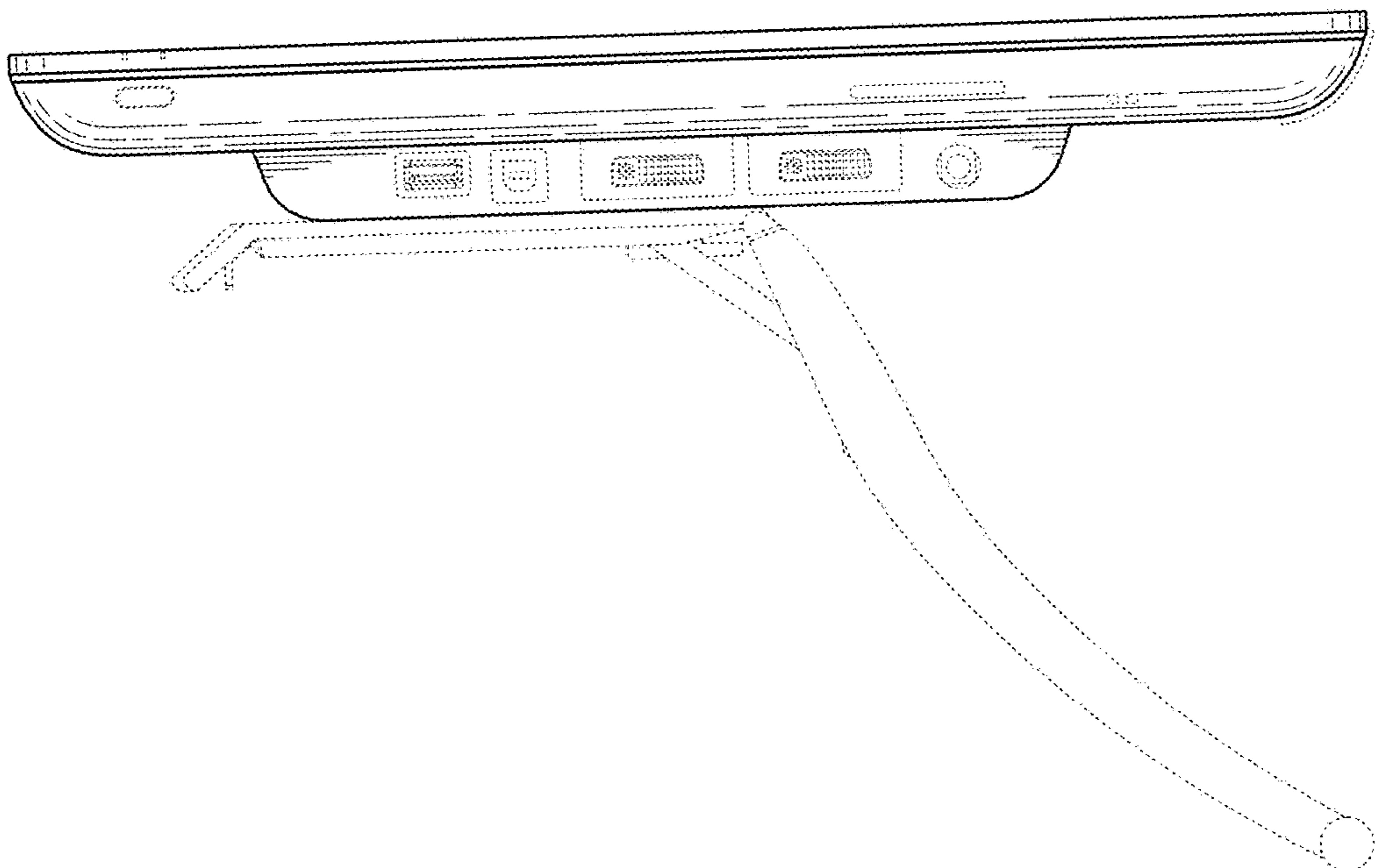


FIG. 5

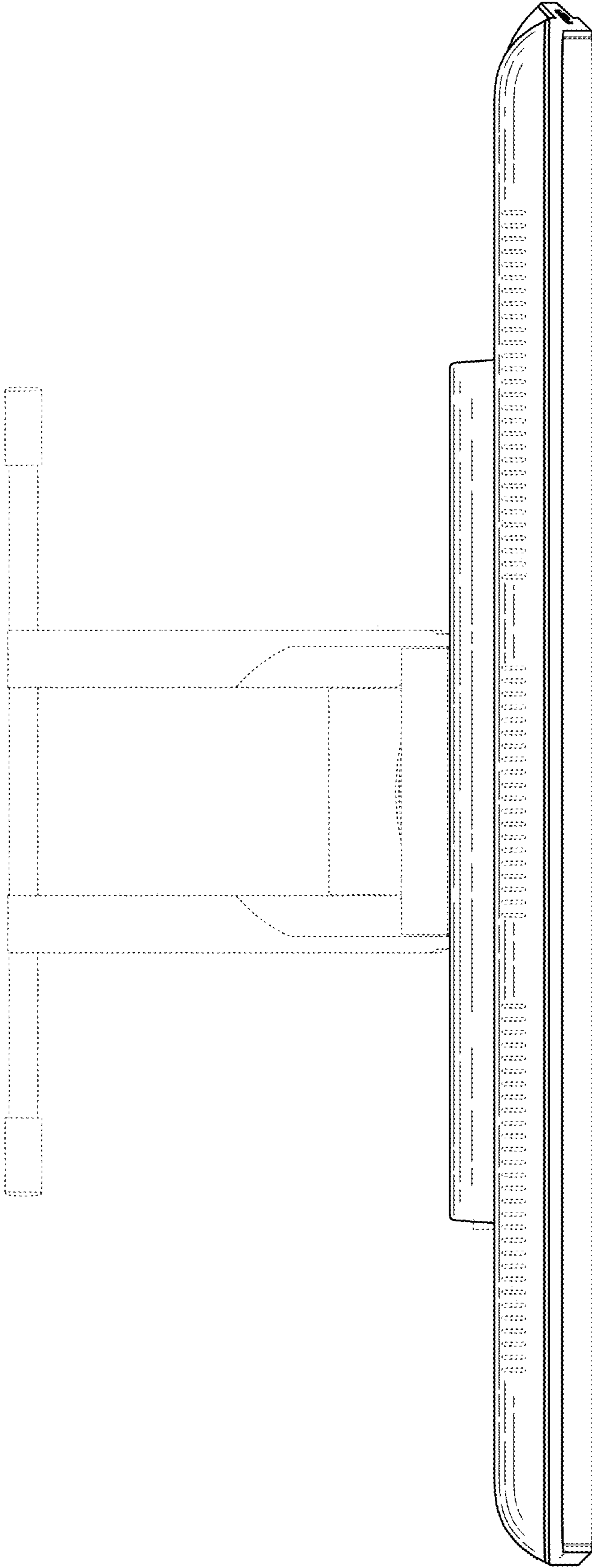


FIG. 7

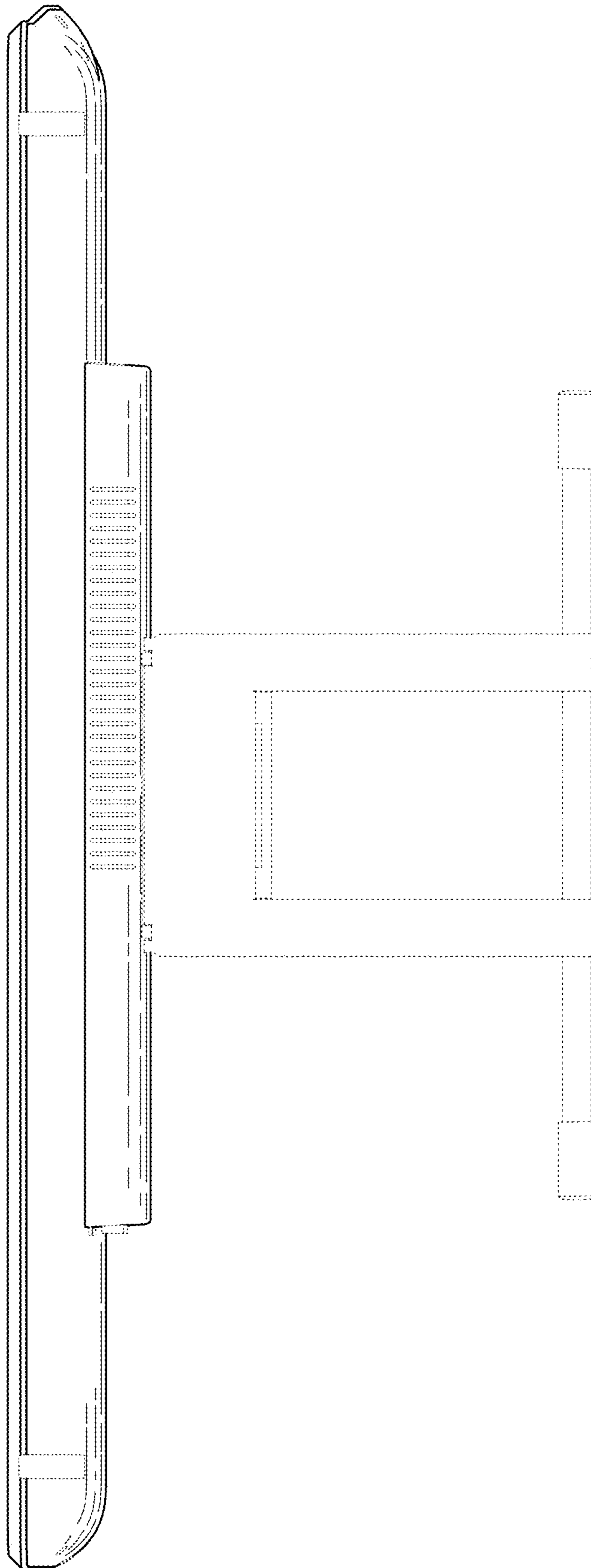


FIG. 8