

US00D900806S

(12) **United States Design Patent**  
**Xu et al.**

(10) **Patent No.:** **US D900,806 S**  
(45) **Date of Patent:** **\*\* Nov. 3, 2020**

(54) **ELECTRONIC DEVICE**

FOREIGN PATENT DOCUMENTS

(71) Applicant: **LENOVO (BEIJING) CO., LTD.**,  
Beijing (CN)

JP D1438161 S 4/2012  
KR 3006407590000 4/2012

(Continued)

(72) Inventors: **Jian Xu**, Beijing (CN); **Wenbo Shi**,  
Beijing (CN); **Rong Gao**, Beijing (CN)

OTHER PUBLICATIONS

(73) Assignee: **Lenovo (Beijing) Co., Ltd.**, Beijing  
(CN)

Folder Pad Tablet could be Lenovo's answer to the Microsoft Surface, announced Mar. 7, 2014 [online], [retrieved Mar. 13, 2019]. Available from Internet, URL: <<https://liliputing.com/2014/03/folder-pad-tablet-lenovos-answer-microsoft-surface.html>> (Year: 2014).\*

(\*\*) Term: **15 Years**

(Continued)

(21) Appl. No.: **29/588,990**

(22) Filed: **Dec. 27, 2016**

*Primary Examiner* — Dana K Weiland

**Related U.S. Application Data**

(74) *Attorney, Agent, or Firm* — Oppedahl Patent Law Firm LLC

(62) Division of application No. 29/459,556, filed on Jul. 1, 2013, now Pat. No. Des. 778,902.

(30) **Foreign Application Priority Data**

Dec. 31, 2012 (CN) ..... 2012 3 0662968  
Dec. 31, 2012 (CN) ..... 2012 3 0662969  
May 14, 2013 (CN) ..... 2013 3 0177419

(57) **CLAIM**

The ornamental design for an electronic device, as shown and described.

(51) **LOC (12) Cl.** ..... **14-02**

**DESCRIPTION**

(52) **U.S. Cl.**  
USPC ..... **D14/341**

(58) **Field of Classification Search**  
USPC ..... D14/341-347, 137, 138 R, 138 AA,  
D14/138 C, 138 G, 496, 203.1, 203.3,  
(Continued)

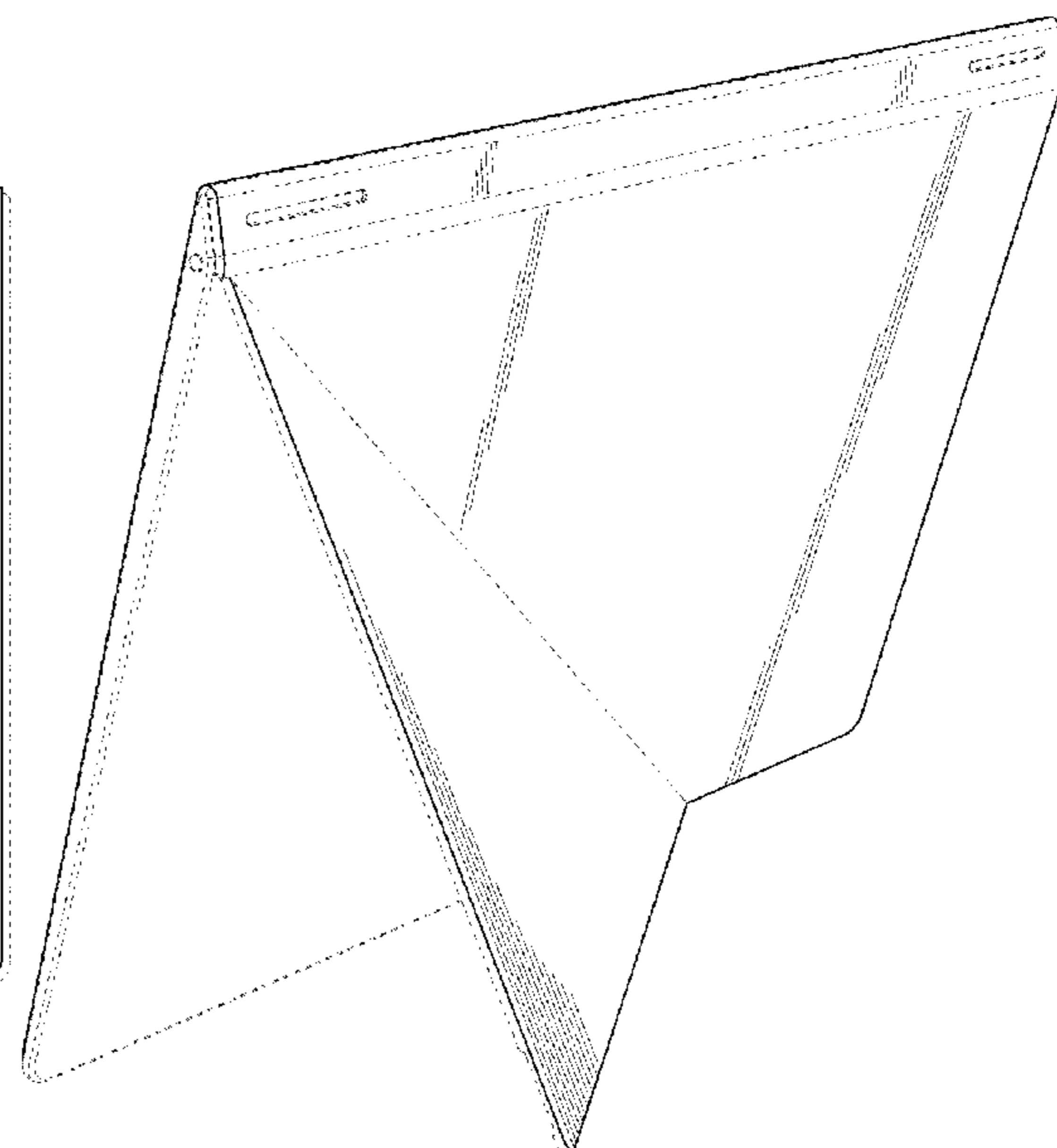
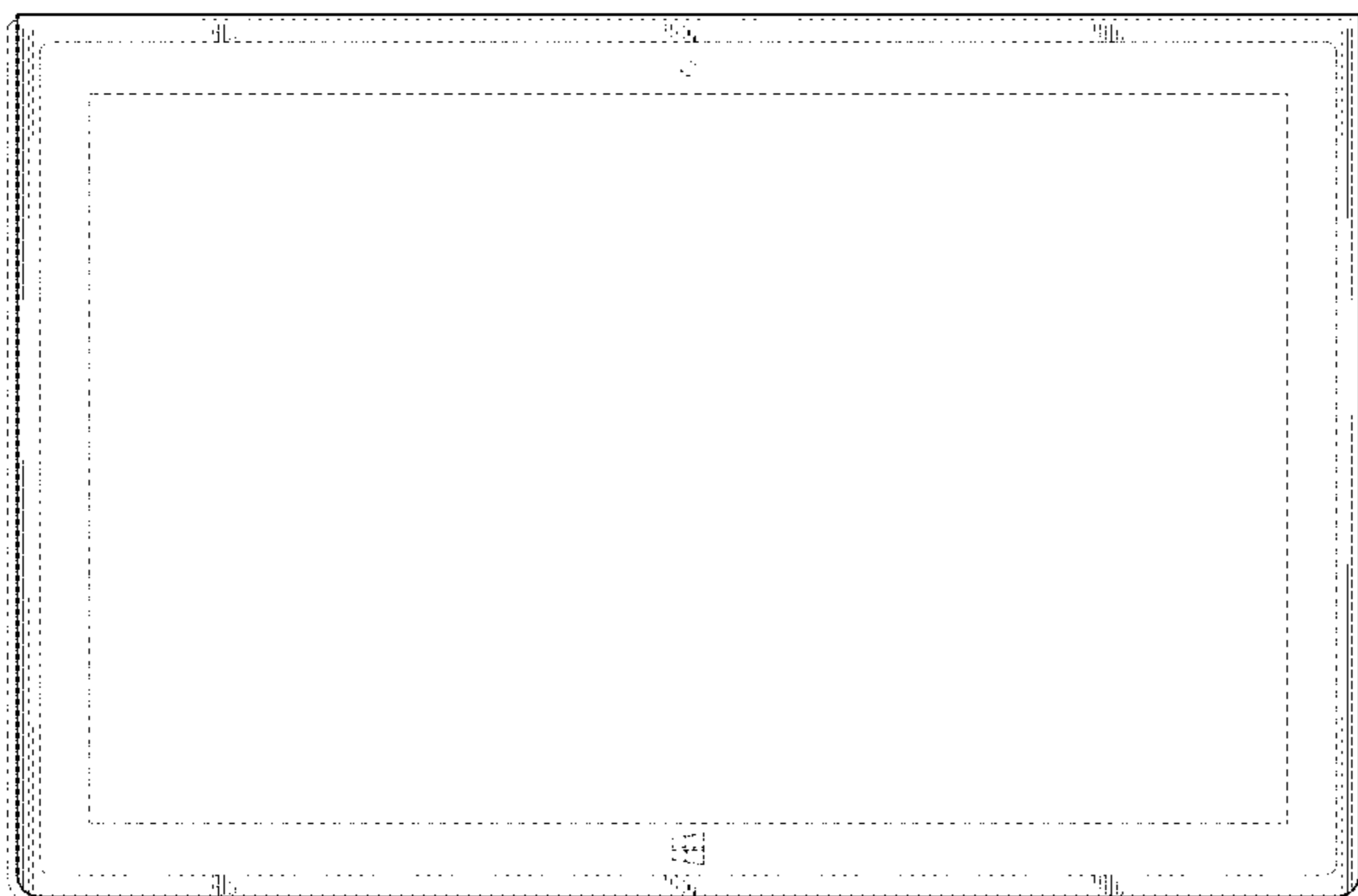
FIG. 1 is a front view of an electronic device showing the new design;  
FIG. 2 is a back view thereof;  
FIG. 3 is a top view thereof;  
FIG. 4 is a bottom view thereof;  
FIG. 5 is a left side view thereof;  
FIG. 6 is a right side view thereof;  
FIG. 7 is a back, right side perspective view of the electronic device shown in an alternate configuration; and,  
FIG. 8 is an enlarged view of the portion of the electronic device shown within the area designated as 8 in FIG. 6.  
The broken lines shown in the drawings depict portions of the electronic device that form no part of the claimed design.

(56) **References Cited**

**U.S. PATENT DOCUMENTS**

D407,019 S 3/1999 Arima  
D431,230 S 9/2000 Began  
(Continued)

**1 Claim, 4 Drawing Sheets**



(58) **Field of Classification Search**

USPC ..... D14/203.4, 203.7, 129, 130, 147, 218,  
 D14/247, 248, 250, 374, 385, 388, 389,  
 D14/315–318, 420, 426, 439; D10/65,  
 D10/104.1; D21/324, 329, 330, 332;  
 455/556.1, 556.2, 566, 575.1, 90.3;  
 379/433.04, 433.01, 433.06, 916;  
 345/173, 901, 905; 361/679.26, 679.27,  
 361/679.3, 679.55, 679.56; D6/308, 310;  
 463/37; 248/917–924; 348/376;  
 D19/26, 59–60  
 CPC ..... A63H 33/3016; G06F 1/1613; H04M  
 1/0202; H04M 1/0279; H04M 1/0281;  
 H04M 1/0283

See application file for complete search history.

(56) **References Cited**

U.S. PATENT DOCUMENTS

D582,408 S 12/2008 Maiers  
 D582,409 S 12/2008 Maiers  
 D583,813 S 12/2008 Maiers  
 D601,976 S 10/2009 Petrillo  
 D619,990 S 7/2010 Lai  
 D626,957 S 11/2010 Juan  
 D629,798 S 12/2010 Arie  
 D641,016 S 7/2011 Takahashi  
 D642,625 S 8/2011 Assa  
 D654,073 S 2/2012 Li  
 D656,137 S 3/2012 Chung  
 D657,785 S 4/2012 Lee  
 D662,932 S 7/2012 Park  
 D675,613 S 2/2013 Chu  
 D676,044 S 2/2013 Nakagawa  
 D678,270 S 3/2013 Song  
 D680,118 S \* 4/2013 Schmelling ..... D14/434  
 D682,797 S \* 5/2013 Lee ..... D14/126  
 D683,726 S 6/2013 Morisawa  
 D687,406 S 8/2013 Xia  
 D691,132 S 10/2013 Sharma  
 D694,747 S 12/2013 Chen  
 D696,245 S 12/2013 Lee et al.  
 D698,341 S 1/2014 Lee  
 D705,782 S 5/2014 McParland et al.  
 D706,261 S 6/2014 Sharma  
 D708,606 S 7/2014 Kim  
 D710,353 S 8/2014 Ahn et al.  
 D710,354 S 8/2014 Ahn et al.  
 D712,839 S 9/2014 Lee et al.  
 D714,286 S 9/2014 Kim et al.  
 D715,280 S 10/2014 Lee et al.  
 D715,789 S \* 10/2014 Yoon ..... D14/250  
 D718,308 S 11/2014 Nishizawa  
 D720,736 S \* 1/2015 Chen ..... D14/250  
 D724,582 S 3/2015 Kim et al.  
 D728,579 S \* 5/2015 Mecchella ..... D14/440  
 D730,346 S 5/2015 Lee et al.  
 D730,913 S \* 6/2015 Shao ..... D14/440  
 D737,816 S \* 9/2015 Loor Canizares ..... D14/341

D745,001 S 12/2015 Cho et al.  
 D745,512 S 12/2015 Lee et al.  
 D747,309 S \* 1/2016 Smith ..... D14/341  
 D749,588 S \* 2/2016 Cox ..... D14/203.7  
 D751,063 S \* 3/2016 Lin ..... D14/341  
 D754,655 S \* 4/2016 Groene ..... D14/341  
 D755,773 S \* 5/2016 Kim ..... D14/250  
 D756,952 S \* 5/2016 Simonian ..... D14/138 G  
 D757,723 S \* 5/2016 Kwak ..... D14/345  
 D770,998 S \* 11/2016 Kwak ..... D14/138 AB  
 D772,234 S \* 11/2016 Massucco ..... D14/440  
 D772,862 S \* 11/2016 Kwong ..... D14/316  
 D775,602 S \* 1/2017 Lee ..... D14/138 AB  
 D776,121 S \* 1/2017 Mecchella ..... D14/440  
 D778,902 S \* 2/2017 Xu ..... D14/341  
 D779,447 S \* 2/2017 Kwak ..... D14/138 AB  
 D782,473 S \* 3/2017 Hong ..... D14/341  
 D783,625 S \* 4/2017 Okuley ..... D14/447  
 D786,238 S \* 5/2017 Roberts ..... D14/341  
 D786,254 S \* 5/2017 Yum ..... D14/138 G  
 D786,857 S \* 5/2017 Tian ..... D14/315  
 D788,767 S \* 6/2017 Magi ..... D14/315  
 D792,880 S \* 7/2017 Gong ..... D14/374  
 D795,248 S \* 8/2017 Satzger ..... D14/341  
 D795,855 S \* 8/2017 Kim ..... D14/248  
 D798,292 S \* 9/2017 Groene ..... D14/341  
 D804,467 S \* 12/2017 Probst ..... D14/315  
 D808,960 S \* 1/2018 Chan ..... D14/341  
 D810,731 S \* 2/2018 Henderson ..... D14/341  
 D818,980 S \* 5/2018 Kim ..... D14/138 G  
 D824,914 S \* 8/2018 Okuley ..... D14/447  
 D825,496 S \* 8/2018 Yagisawa ..... D13/168  
 D826,930 S \* 8/2018 Iida ..... D14/341  
 D835,097 S \* 12/2018 Morgan ..... D14/341  
 D836,720 S \* 12/2018 Kang ..... D19/113  
 D839,266 S \* 1/2019 Chang ..... D14/341  
 D840,392 S \* 2/2019 Satzger ..... D14/341  
 2011/0048755 A1 3/2011 Su  
 2018/0049529 A1 \* 2/2018 Buechin ..... A45C 11/00

FOREIGN PATENT DOCUMENTS

WO D082301-001 \* 12/2013  
 WO D082301-002 \* 12/2013  
 WO D082301-003 \* 12/2013  
 WO D082301-004 \* 12/2013  
 WO D082301-005 \* 12/2013  
 WO D082301-006 \* 12/2013  
 WO D082301-007 \* 12/2013  
 WO D082301-008 \* 12/2013  
 WO D082301-009 \* 12/2013

OTHER PUBLICATIONS

Tablet design hasn't really changed much . . . , announced Mar. 9, 2014 [online], [retrieved Mar. 13, 2019]. Available from Internet, URL: <<https://news.softpedia.com/news/Lenovo-s-Folder-Pad-Tablet-Borrows-Designs-Cues-from-the-Microsoft-Surface-431249.shtml>> (Year: 2014).\*

\* cited by examiner

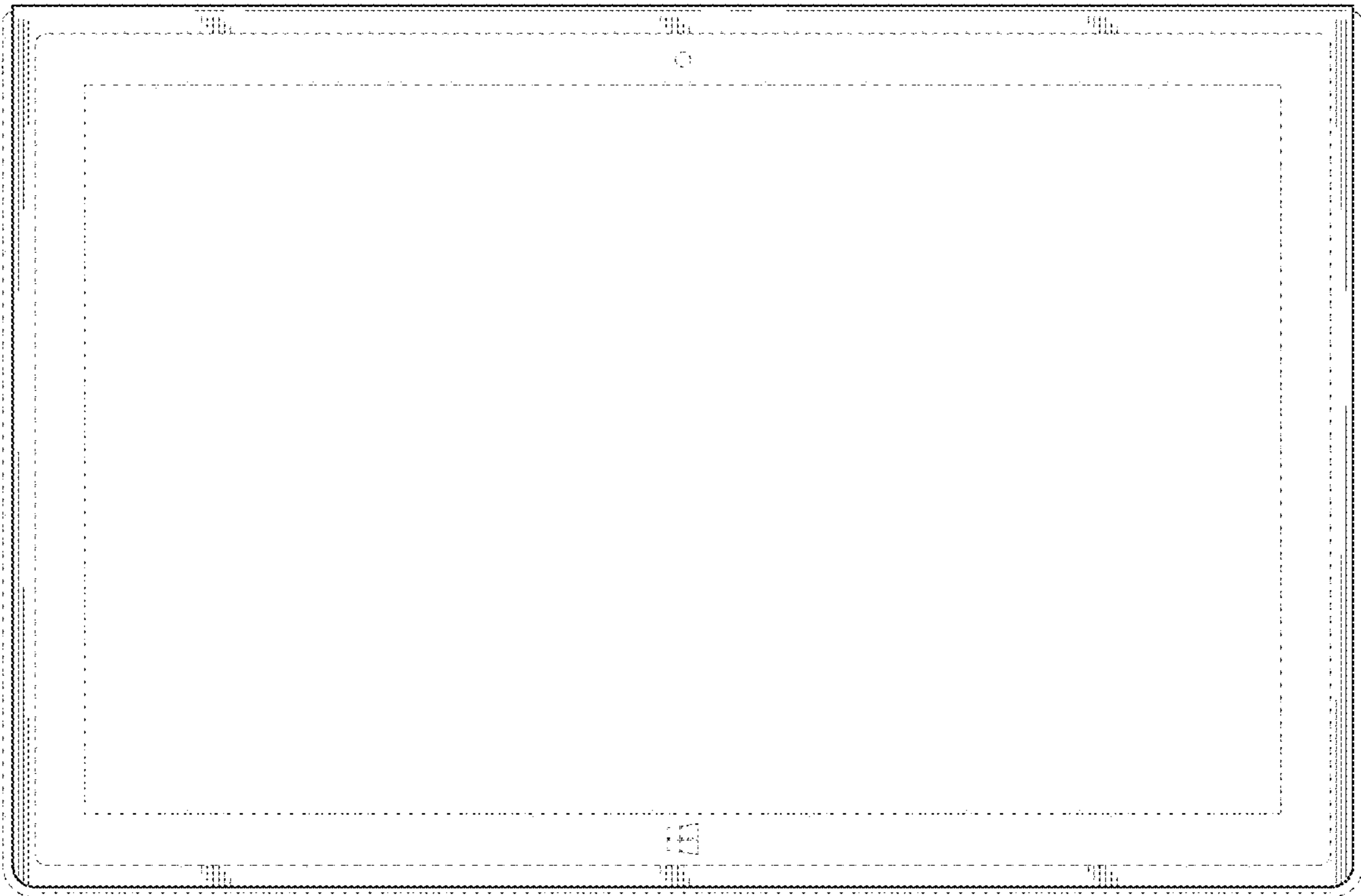


Fig. 1

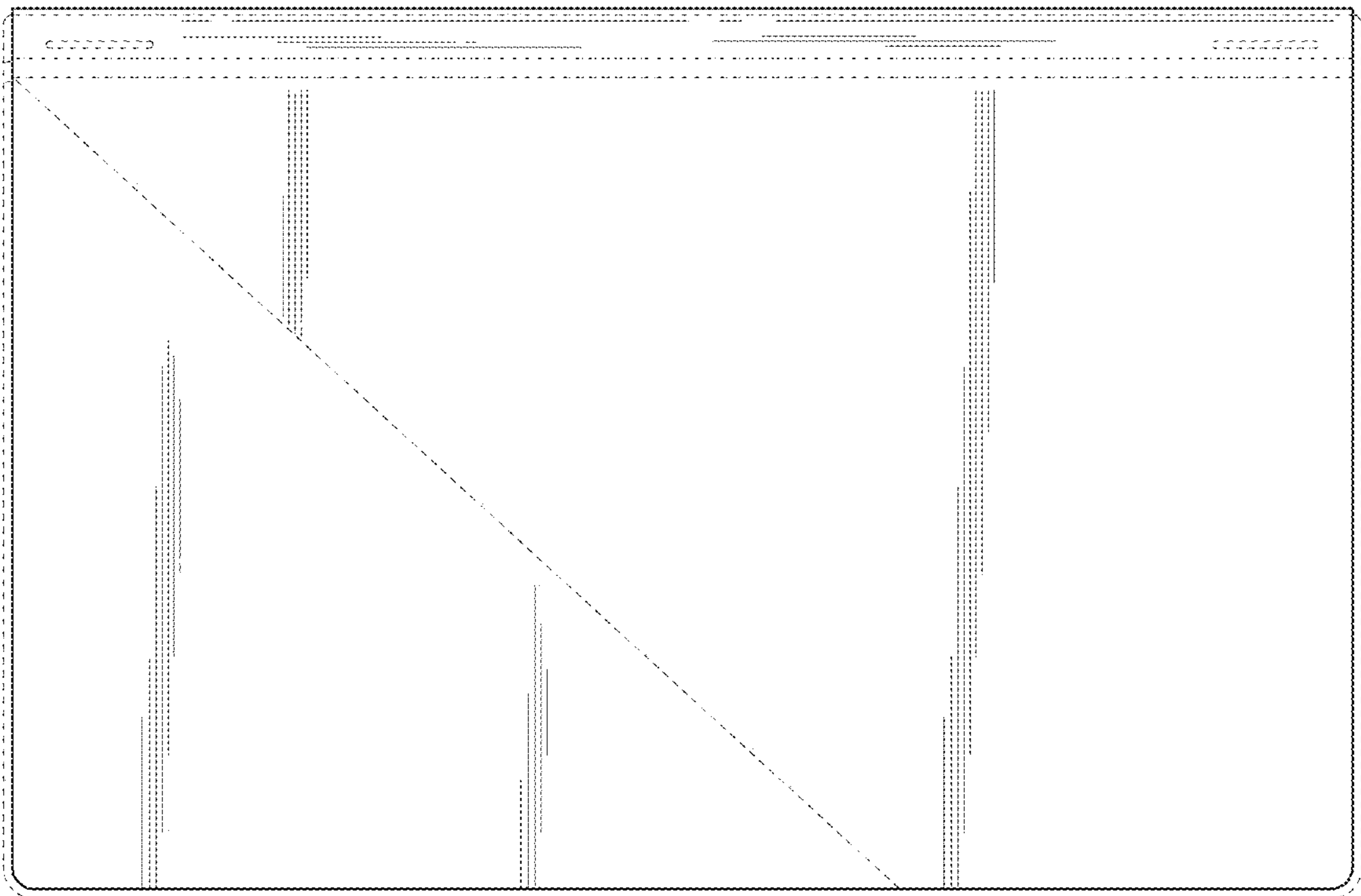


Fig. 2





Fig. 3

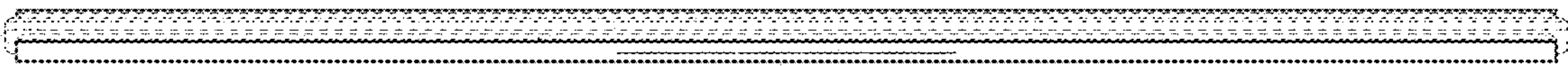


Fig. 4

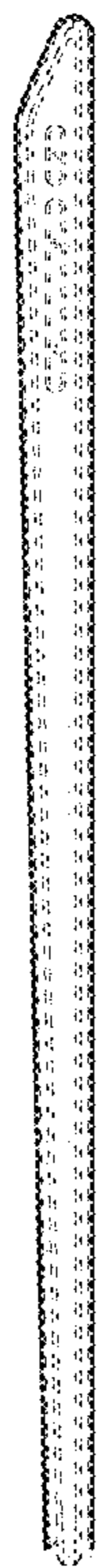


Fig. 5

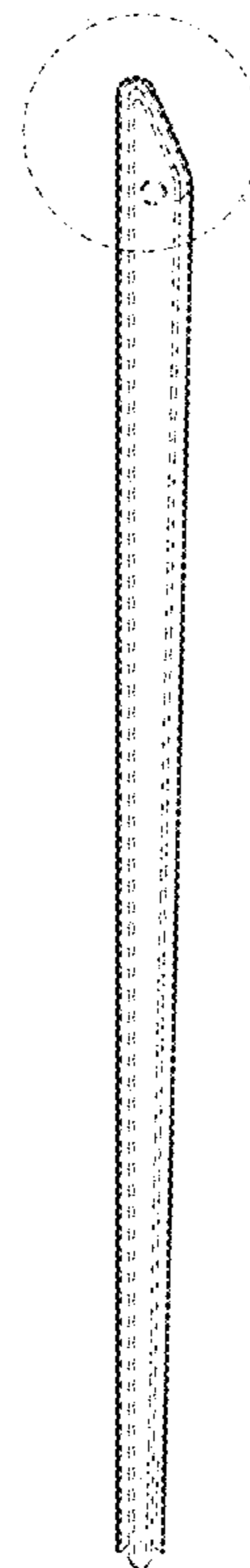


Fig. 8

Fig. 6

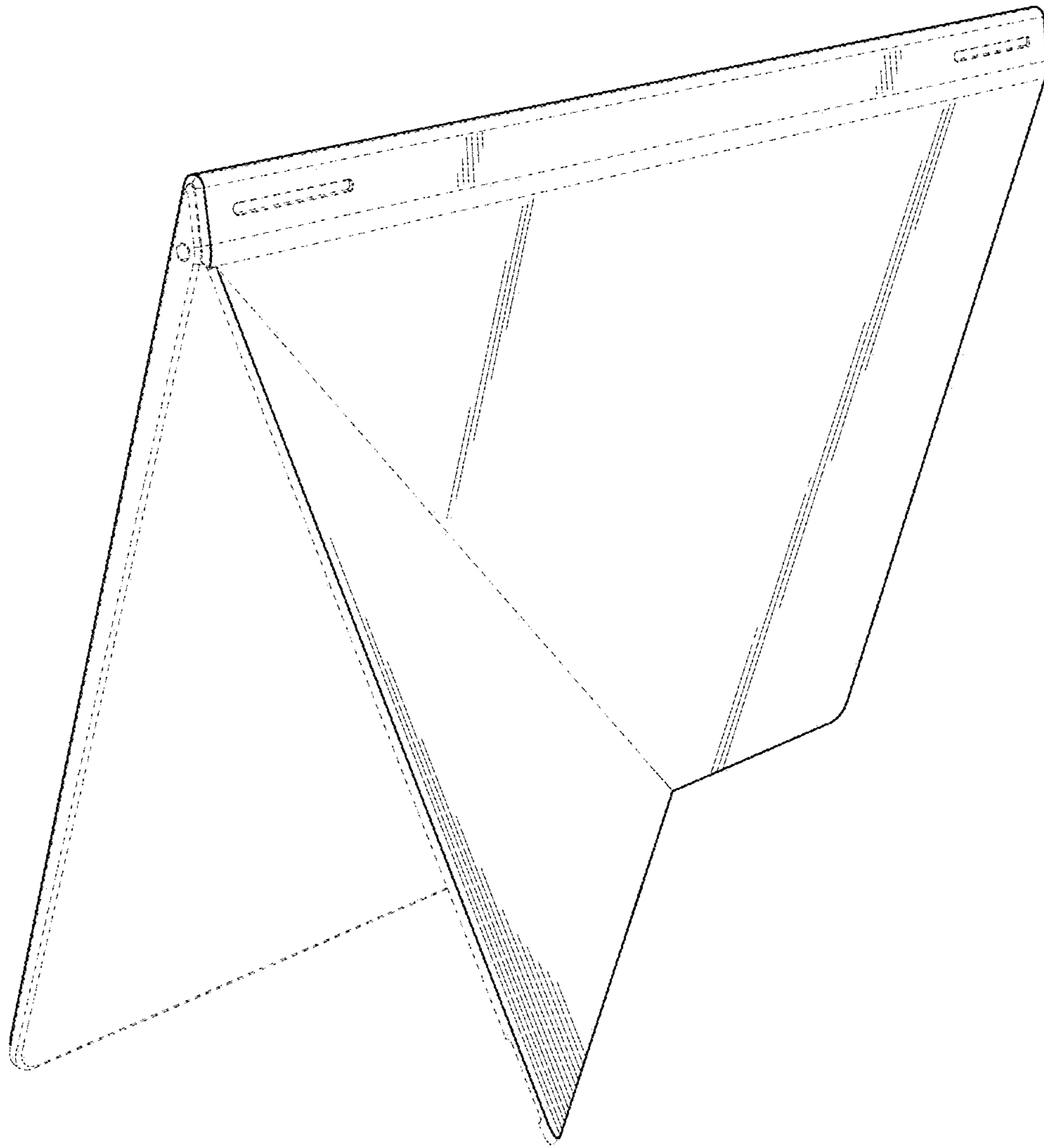


Fig. 7

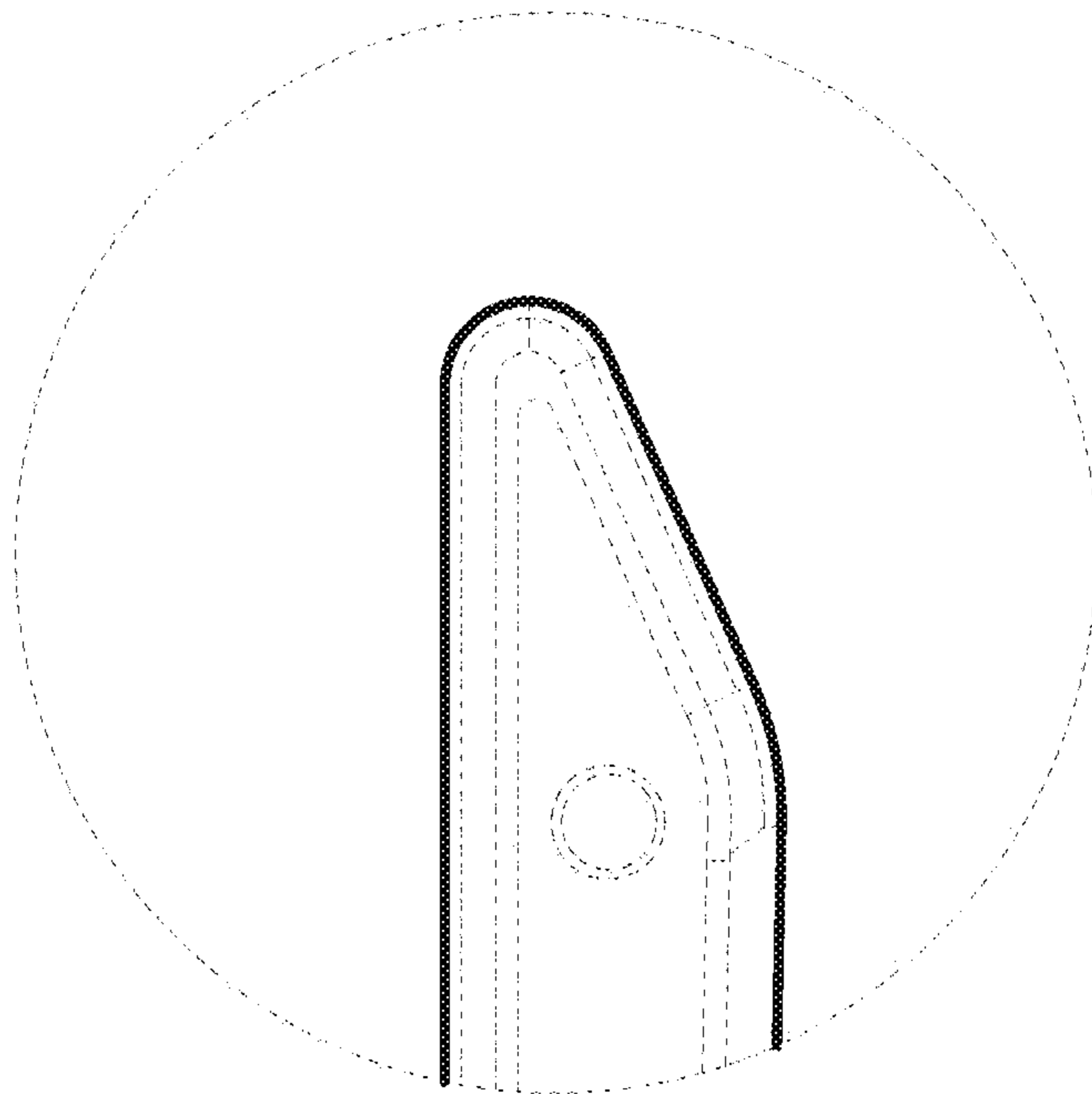


Fig. 8