



US00D900805S

(12) **United States Design Patent** (10) **Patent No.:** **US D900,805 S**
McWilliam et al. (45) **Date of Patent:** **** Nov. 3, 2020**

(54) **ELECTRONIC DEVICE**

CPC H04L 12/00; H03K 17/00; H04W 88/00;
H04W 88/04; H04B 1/38

(71) Applicant: **Amazon Technologies, Inc.**, Seattle,
WA (US)

See application file for complete search history.

(72) Inventors: **Giles David Matthew McWilliam**, San
Francisco, CA (US); **Christopher
Green**, San Francisco, CA (US);
Monica Liane Mecchella, San
Francisco, CA (US)

(56) **References Cited**

U.S. PATENT DOCUMENTS

D215,040 S * 8/1969 Nagao D10/106.5
D277,853 S 3/1985 Thomas
D303,970 S 10/1989 Collins et al.
D351,832 S 10/1994 Anderson

(Continued)

(73) Assignee: **Amazon Technologies, Inc.**, Seattle,
WA (US)

OTHER PUBLICATIONS

(**) Term: **15 Years**

The Office Action dated Nov. 27, 2018, for Chinese Application No.
201830076401.4, a counterpart of U.S. Appl. No. 29/615,518, 1
page.

(21) Appl. No.: **29/724,761**

(Continued)

(22) Filed: **Feb. 19, 2020**

Related U.S. Application Data

(62) Division of application No. 29/704,390, filed on Sep.
4, 2019, now Pat. No. Des. 879,152, which is a
division of application No. 29/675,982, filed on Jan.
7, 2019, now Pat. No. Des. 865,003, which is a
division of application No. 29/615,518, filed on Aug.
29, 2017, now Pat. No. Des. 841,693.

Primary Examiner — Angela J Lee

Assistant Examiner — Rebekah A Caruso

(74) *Attorney, Agent, or Firm* — Lee & Hayes, P.C.

(51) **LOC (12) Cl.** **14-02**

(52) **U.S. Cl.**
USPC **D14/314**; D14/496; D14/203.6;
D14/216

(57) **CLAIM**

The ornamental design for an electronic device, as shown
and described.

(58) **Field of Classification Search**

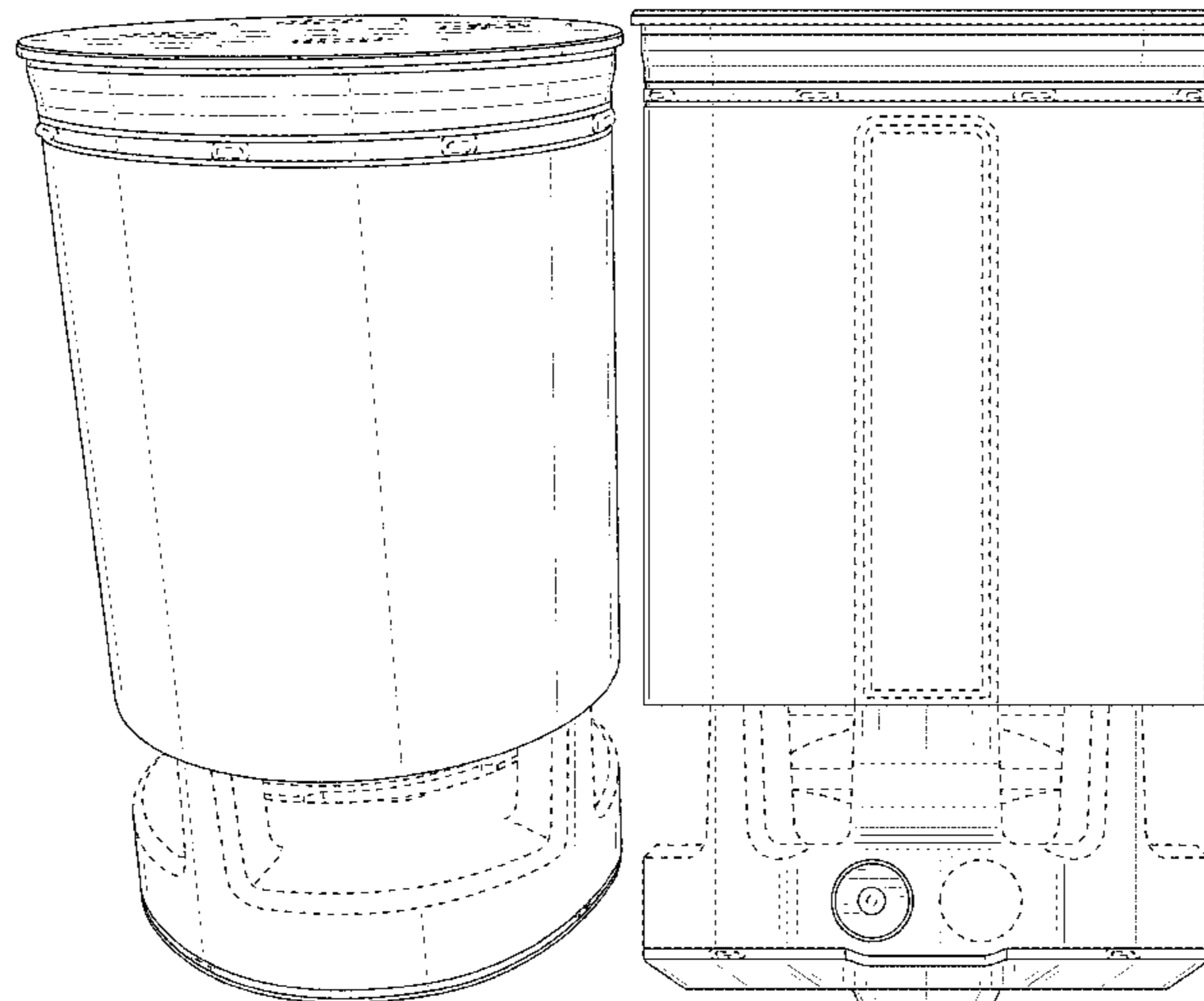
USPC D14/251–254, 125, 137, 140–140.9, 155,
D14/159, 160, 167, 168, 172, 188, 194,
D14/195, 203.1, 203.3, 203.6, 203.7, 204,
D14/209.1, 212, 213, 216, 217, 221,
D14/225–229, 240, 242, 299, 314, 348,
D14/349, 356–358, 401, 432, 433, 434,
D14/435, 447, 451, 474, 483, 496, 497,
D14/506, 507, 509; D10/22, 102, 104.1,
D10/106.1–106.9, 123, 12; D13/108,
D13/110, 123, 158, 177, 199; D21/333,
D21/483, 513

DESCRIPTION

FIG. 1 is a top perspective view of an electronic device;
FIG. 2 is a bottom perspective view thereof;
FIG. 3 is a back view thereof;
FIG. 4 is a front view thereof;
FIG. 5 is a left-side view thereof;
FIG. 6 is a right-side view thereof;
FIG. 7 is a top view thereof; and,
FIG. 8 is a bottom view thereof.

The broken lines represent features of the electronic device
that form no part of the claimed design.

1 Claim, 8 Drawing Sheets



(56)

References Cited

U.S. PATENT DOCUMENTS

D364,165 S 11/1995 Esslinger
 D364,871 S 12/1995 Esslinger
 D494,958 S 8/2004 Solland
 D508,042 S 8/2005 Oikawa
 D598,020 S 8/2009 Lu et al.
 D604,719 S 11/2009 Cornell
 D615,530 S 5/2010 Dobson
 D686,186 S 7/2013 Kaneko et al.
 D687,017 S 7/2013 Ashcraft et al.
 D697,496 S 1/2014 Ashcraft et al.
 D737,787 S 9/2015 Leung et al.
 D737,789 S 9/2015 Leung et al.
 D738,870 S 9/2015 Ding et al.
 D758,025 S 5/2016 Ma et al.
 D761,228 S 7/2016 Cho et al.
 D768,631 S 10/2016 Epstein et al.
 D770,418 S 11/2016 Hong et al.
 D771,142 S 11/2016 Langhammer et al.
 D778,956 S 2/2017 Langhammer et al.
 D791,735 S 7/2017 Kalyuzhny et al.
 D792,397 S 7/2017 Ma et al.
 D792,468 S 7/2017 Langhammer et al.
 D797,073 S 9/2017 Yoon et al.
 D803,190 S 11/2017 Lee et al.

D806,707 S 1/2018 Nalbandian et al.
 D807,873 S 1/2018 Seoc et al.
 D810,135 S 2/2018 Langhammer et al.
 D815,076 S 4/2018 Shin
 D815,149 S 4/2018 Langhammer et al.
 D820,802 S 6/2018 Hamann et al.
 D826,205 S 8/2018 Langhamner et al.
 D835,062 S 12/2018 Langhammer et al.
 D841,693 S 2/2019 McWilliam et al.
 D844,592 S 4/2019 Huang
 D845,276 S 4/2019 Huang
 D848,398 S 5/2019 Huang
 D857,650 S 8/2019 Hardi
 D865,003 S 10/2019 McWilliam et al.
 D879,152 S * 3/2020 McWilliam D14/496
 D883,966 S * 5/2020 Huang D14/240
 D892,765 S * 8/2020 Li D14/216

OTHER PUBLICATIONS

Seifert, "Amazon Echo (2nd Gen) Review: Smaller and Cheaper, But Mostly the Same", retrieved on Sep. 24, 2018 at <<<https://www.theverge.com/2017/10/24/16528170/amazon-echo-2nd-gen-alexa-2017-review>>>, The Verge, 2017, 10 pages.

* cited by examiner

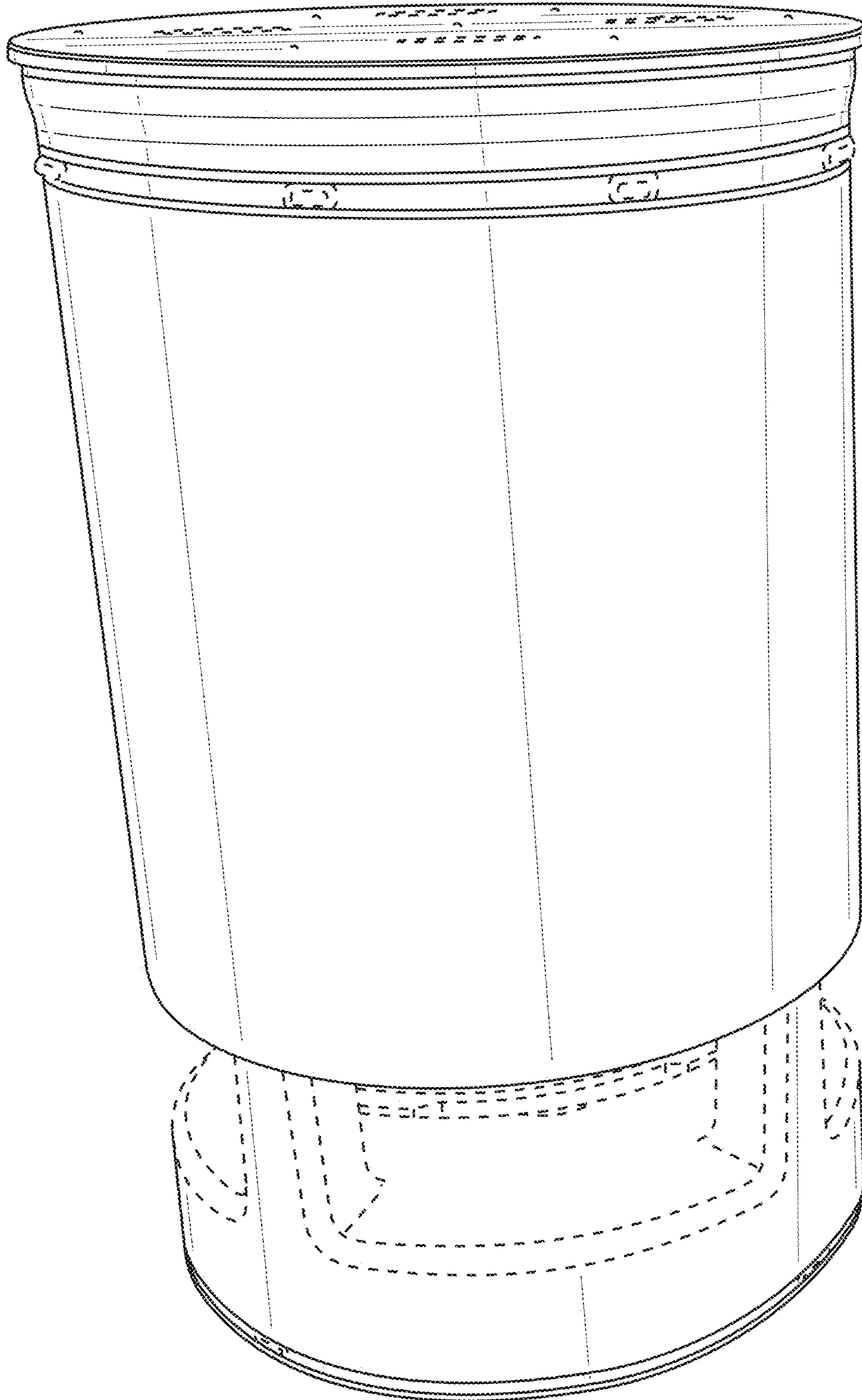


FIG. 1

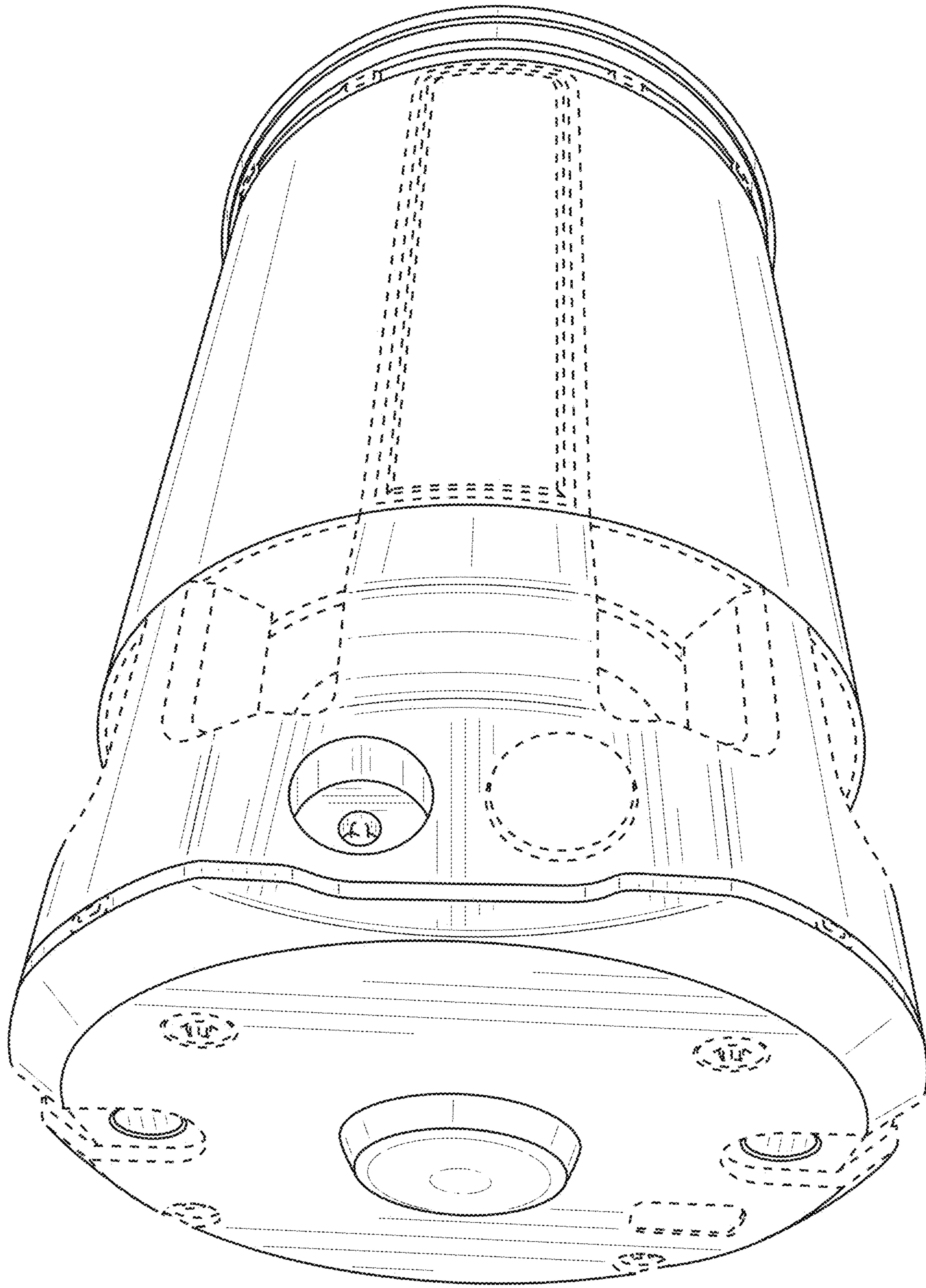


FIG. 2

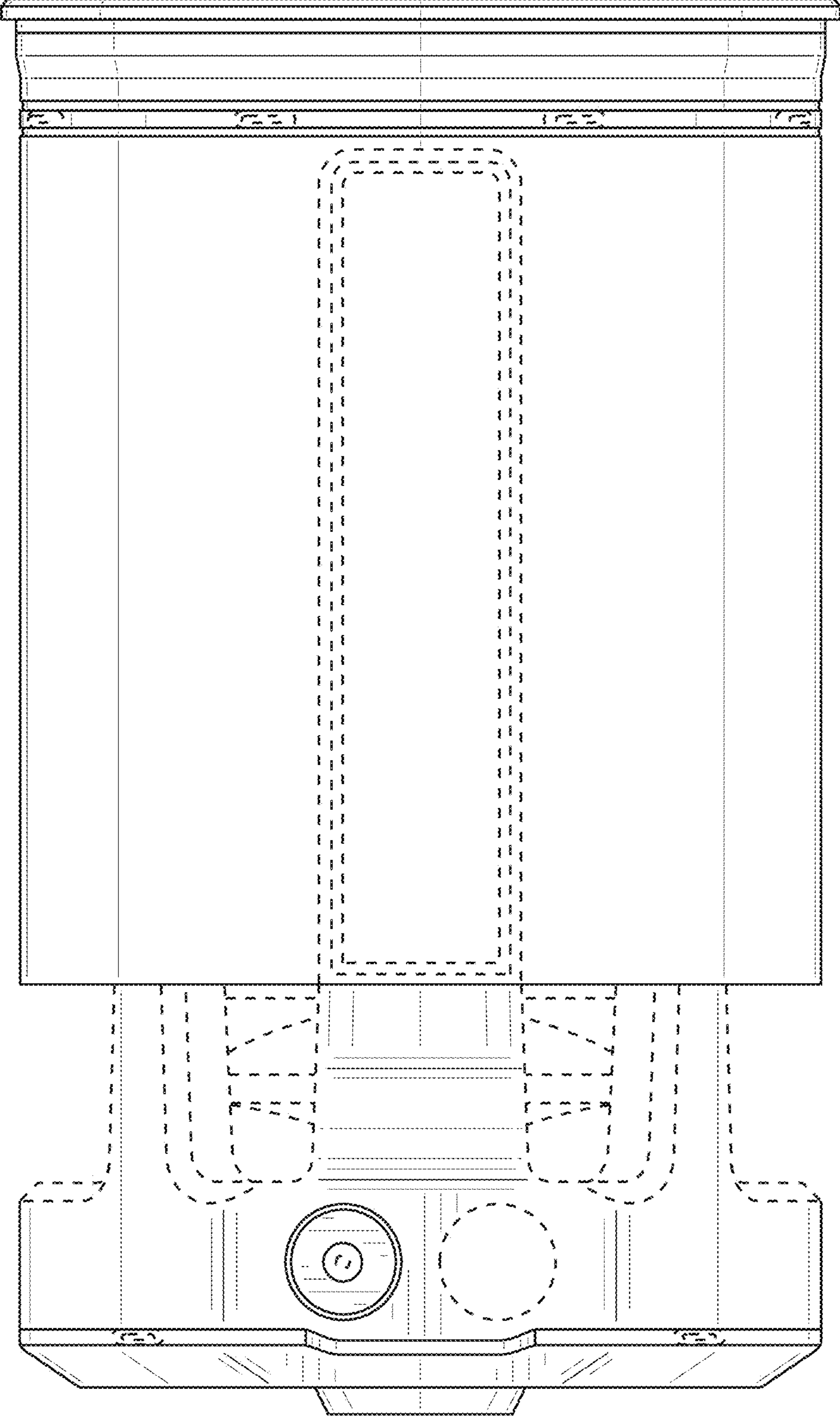


FIG. 3

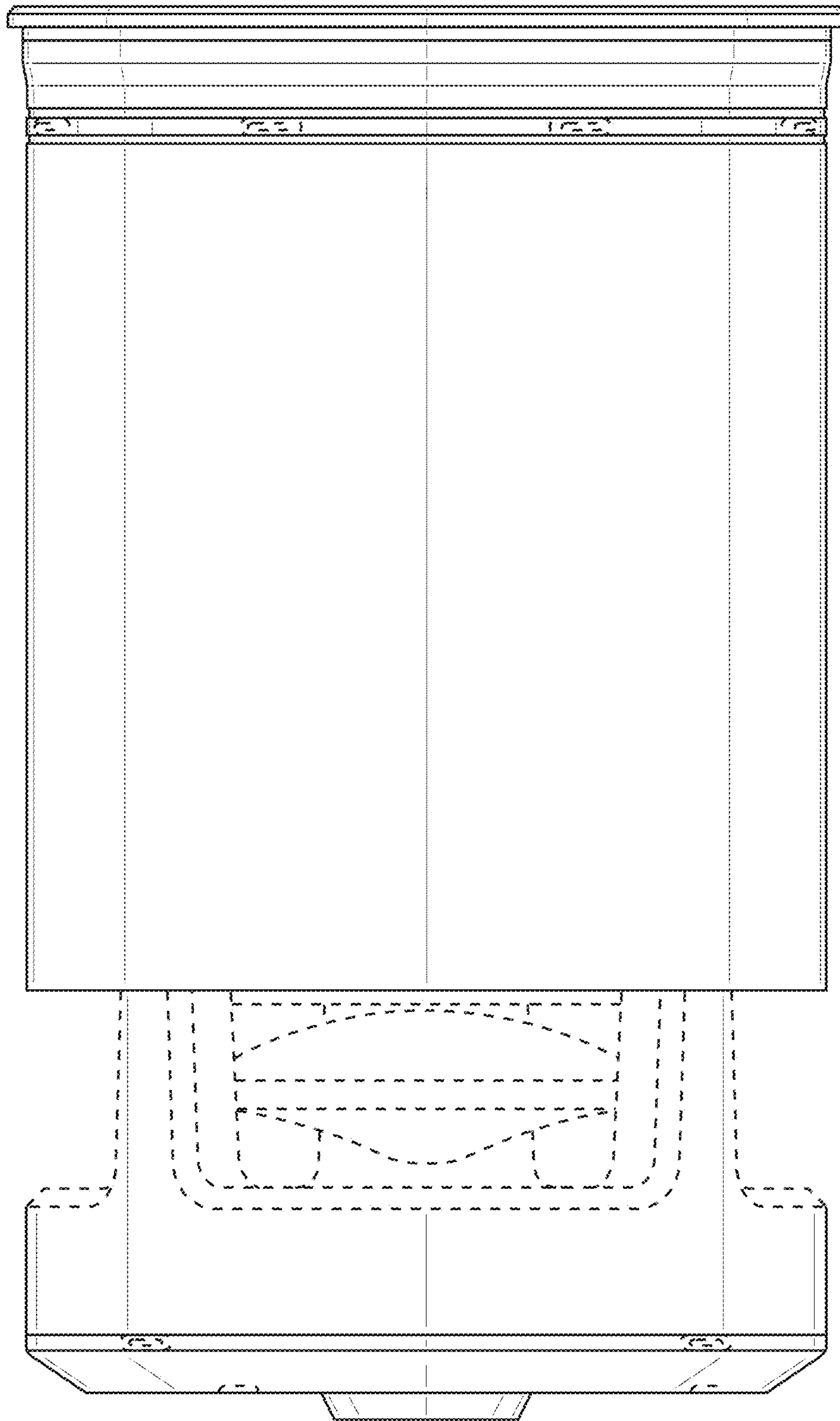


FIG. 4

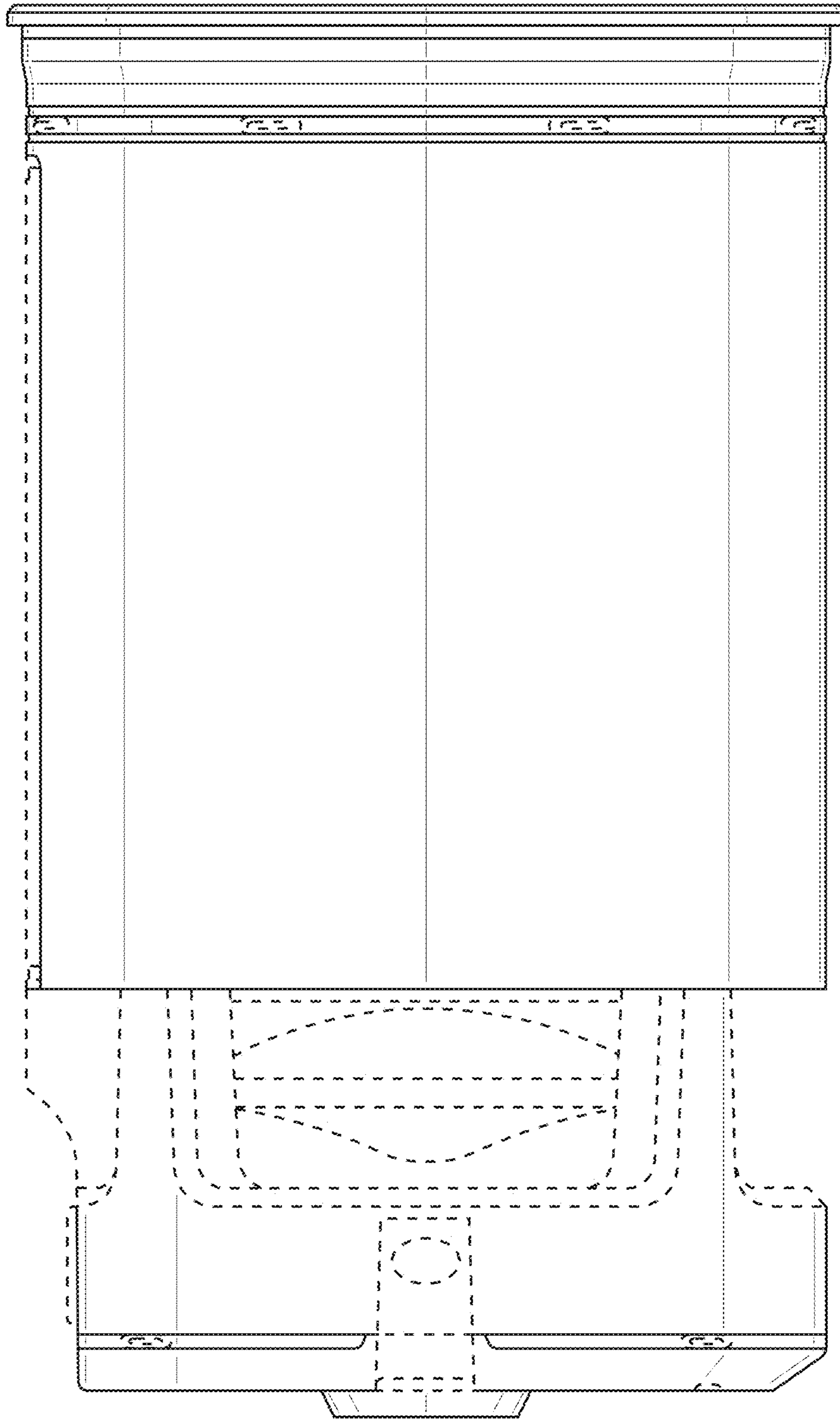


FIG. 5

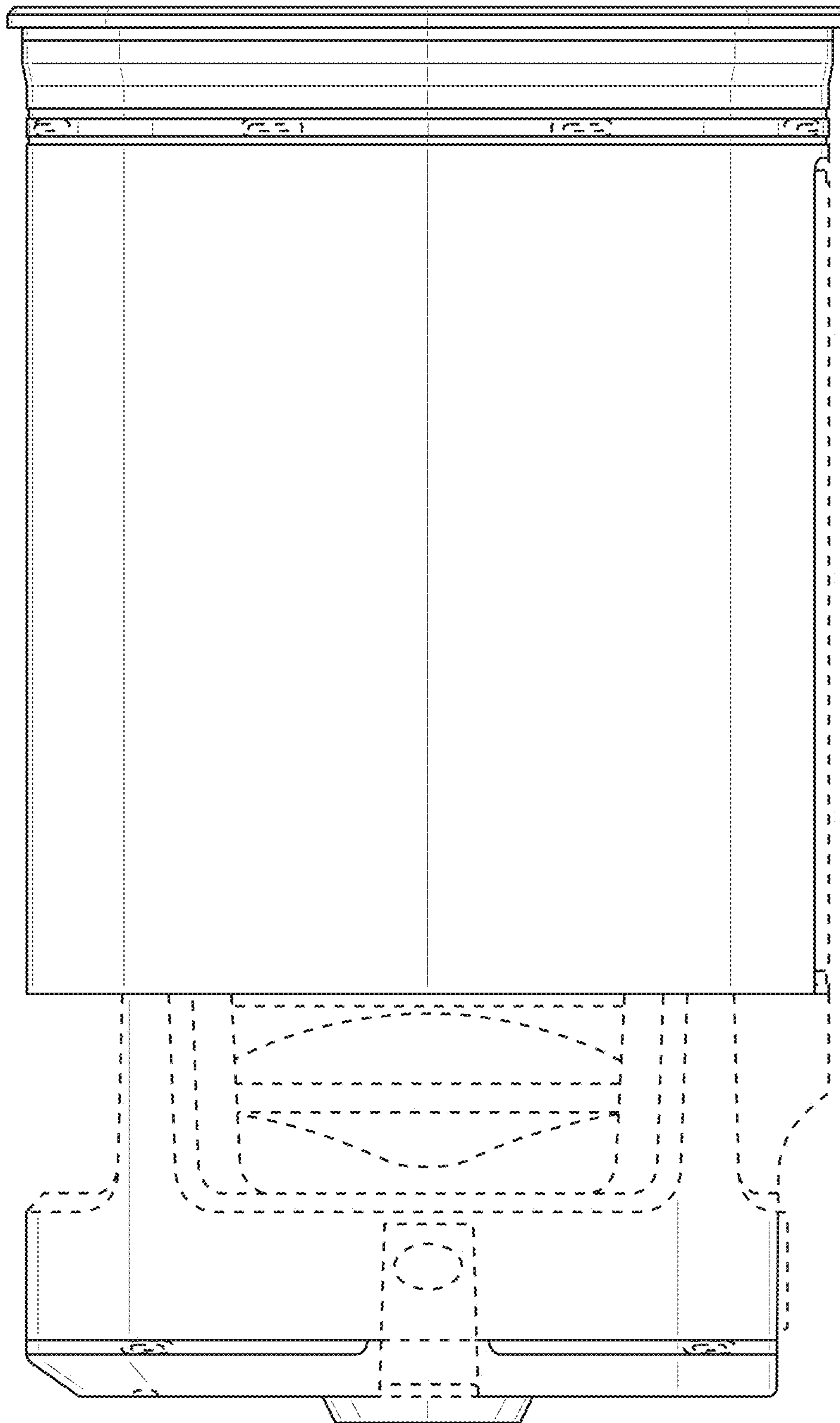


FIG. 6

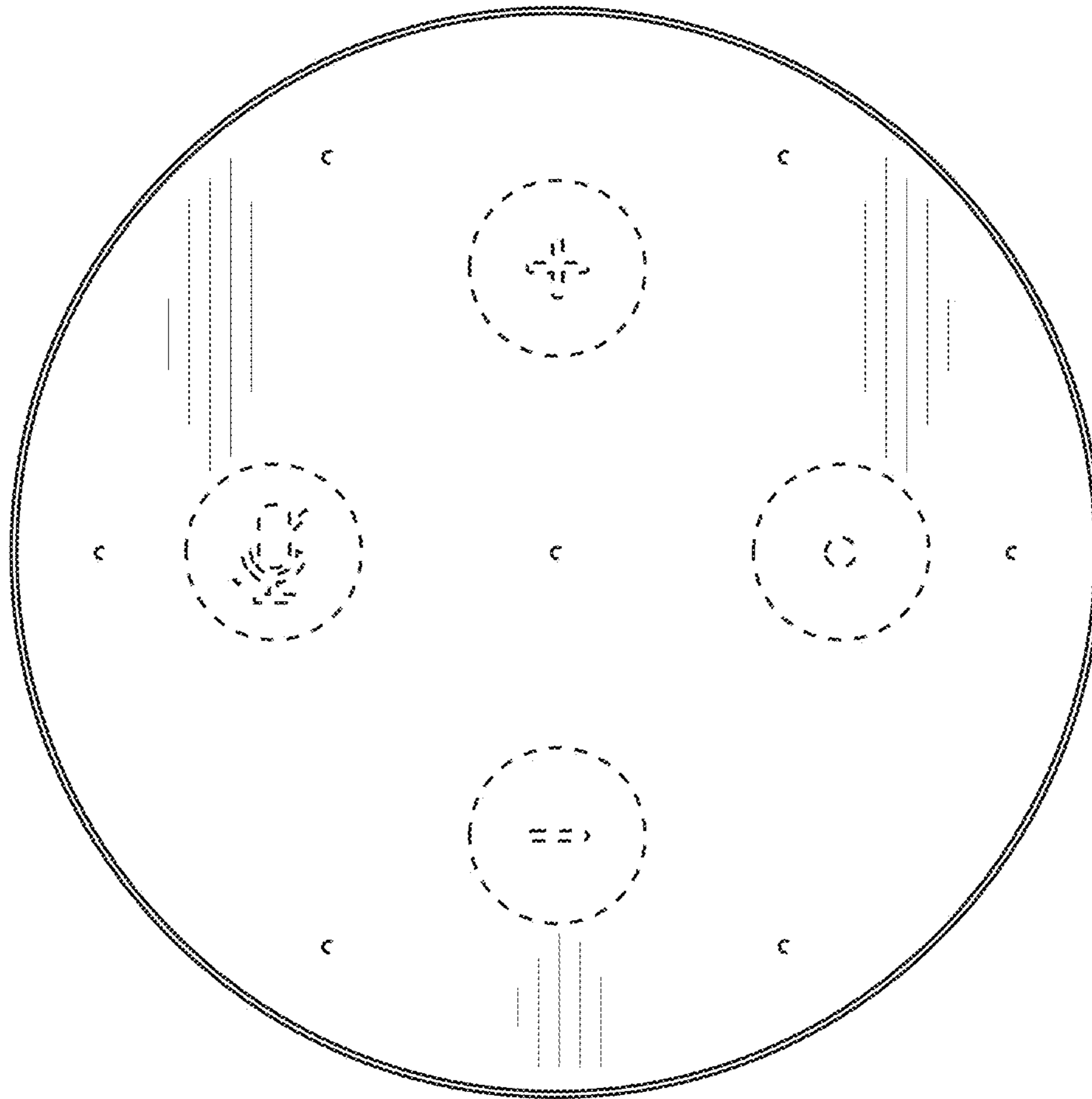


FIG. 7

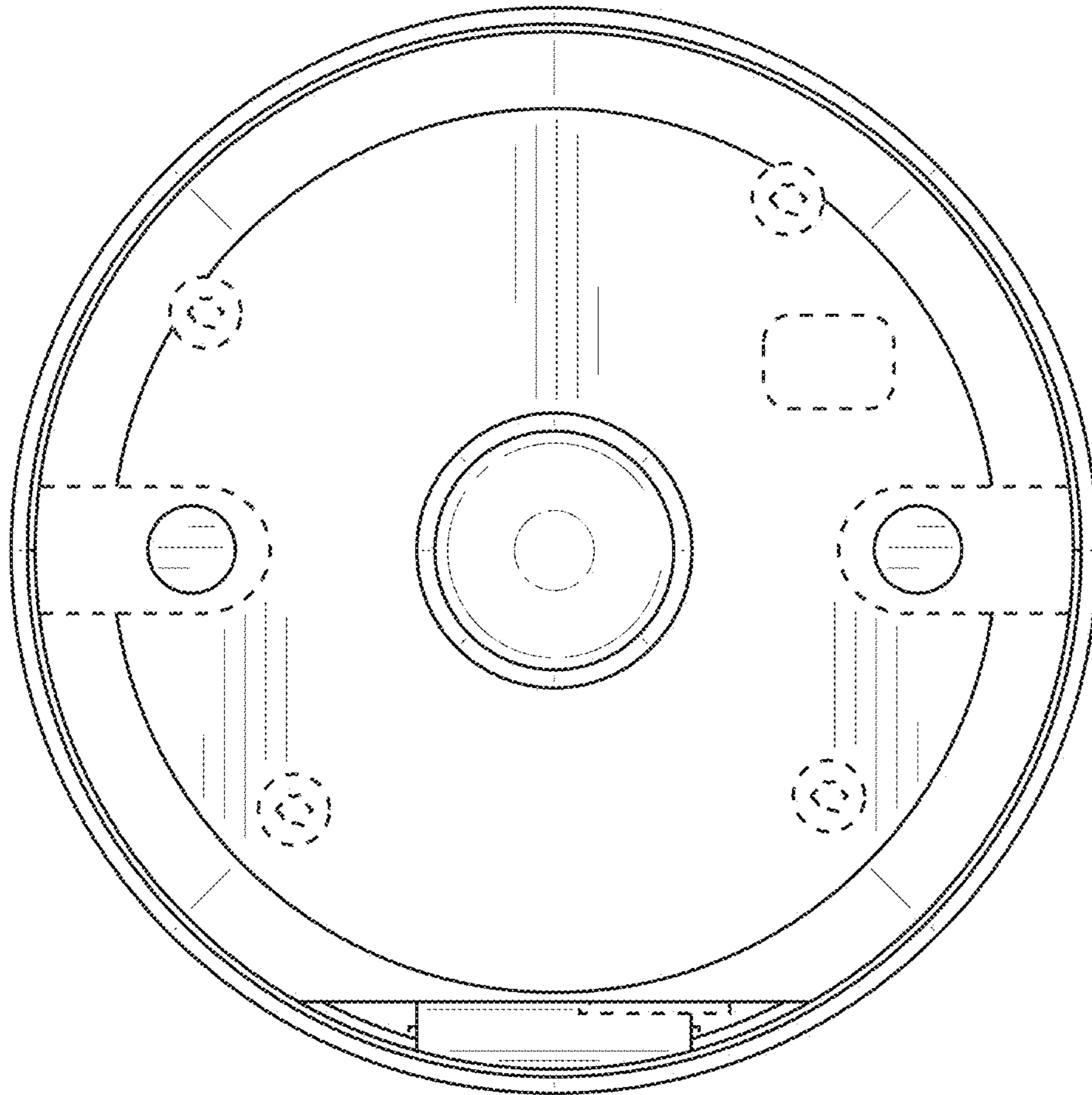


FIG. 8