



US00D900804S

(12) **United States Design Patent**
Mugica et al.

(10) **Patent No.:** **US D900,804 S**

(45) **Date of Patent:** **** Nov. 3, 2020**

- (54) **MULTI-FUNCTION PORTABLE ELECTRONIC DEVICE**
- (71) Applicant: **SMARTMATIC INTERNATIONAL CORPORATION**, Barbados, W.I. (BB)
- (72) Inventors: **Antonio Mugica**, London (GB); **Roger Pinate**, London (GB); **Eduardo Correia**, Panama (PA); **Fernando Hernandez**, Panama (PA); **Jorge Vasquez**, Boca Raton, FL (US); **Ernesto Vecchi**, Boca Raton, FL (US); **Romano Stasi**, Boca Raton, FL (US); **German Dorta**, Taipei (TW)
- (73) Assignee: **SMARTMATIC INTERNATIONAL CORPORATION**, St. Michael (BB)

D836,625 S *	12/2018	Szeredi	D14/307
D842,296 S *	3/2019	Oross	D14/307
D854,538 S *	7/2019	Szeredi	D14/307
D857,007 S *	8/2019	Pitallano	D14/307
D861,778 S *	10/2019	Day	D18/4.4
D864,193 S *	10/2019	Oosawa	D14/307
D873,262 S *	1/2020	Fernando	D14/307

* cited by examiner

Primary Examiner — Austin Murphy
(74) *Attorney, Agent, or Firm* — Oliff PLC

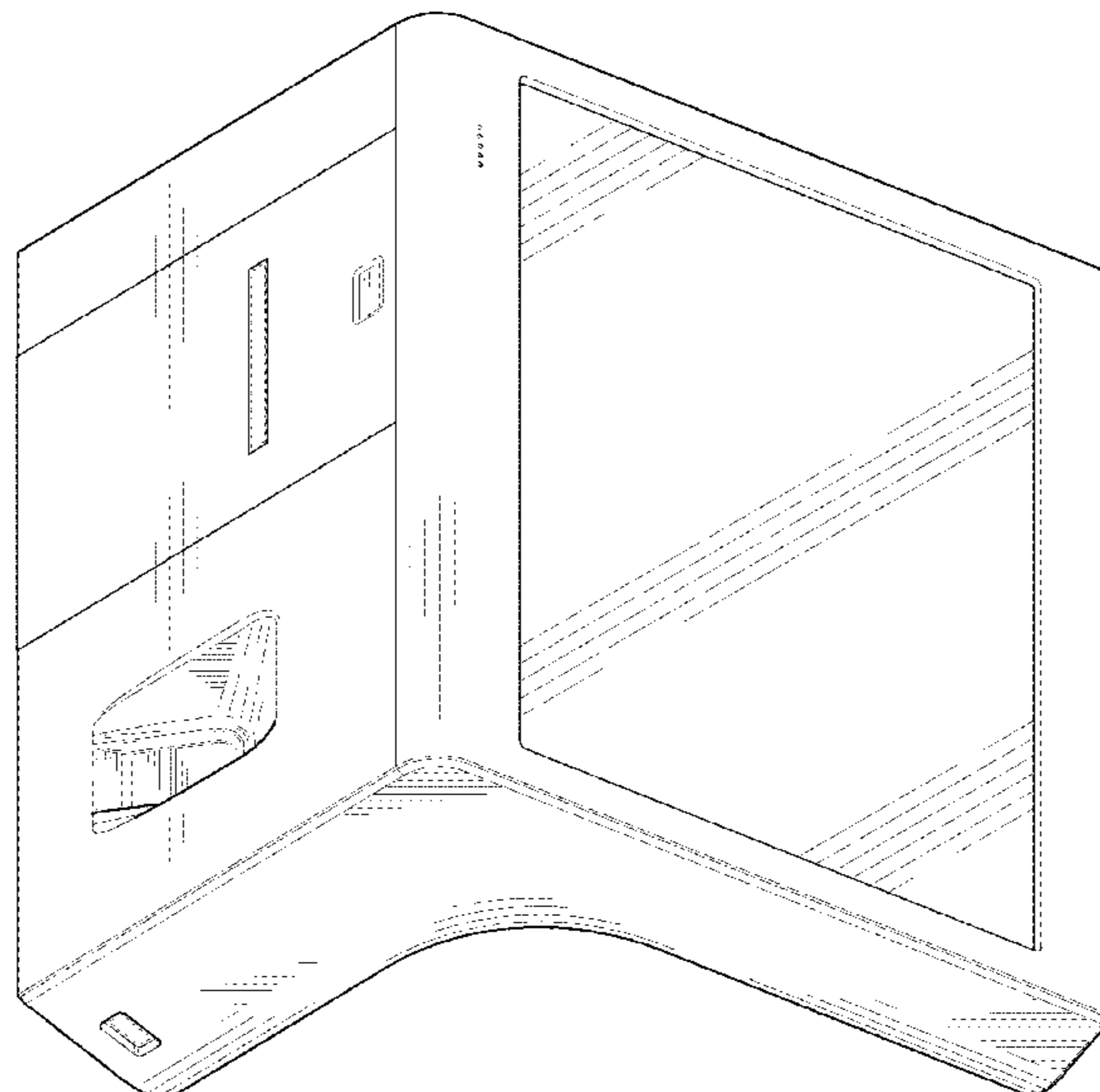
- (**) Term: **15 Years**
- (21) Appl. No.: **29/635,784**
- (22) Filed: **Feb. 2, 2018**
- (51) **LOC (12) Cl.** **14-02**
- (52) **U.S. Cl.**
USPC **D14/307**
- (58) **Field of Classification Search**
USPC D14/302–307, 900–902; D13/163;
D20/10; D21/332, 325, 369, 370;
D99/28; D6/397, 466; 194/206;
361/679.01, 679.02, 679.04, 679.21,
361/679.57, 725
CPC G06Q 20/18; G06Q 20/10; G06Q 20/123;
G06Q 20/20; G06Q 30/02; G06Q 30/06;
A47F 9/047
See application file for complete search history.

(57) **CLAIM**
The ornamental design for a multi-function portable electronic device, as shown and described.

DESCRIPTION
FIG. 1 is a top, left-side perspective view of a multi-function portable electronic device;
FIG. 2 is a front view thereof;
FIG. 3 is a top view thereof;
FIG. 4 is a left-side view thereof;
FIG. 5 is a right-side view thereof;
FIG. 6 is a rear view thereof;
FIG. 7 is a bottom view thereof;
FIG. 8 is a bottom, right-side perspective view thereof;
FIG. 9 is a bottom, left-side perspective view thereof with an optional attachment (not claimed) and with a panel in a closed position;
FIG. 10 is a bottom, left-side perspective view thereof with the optional attachment (not claimed) and with the panel in an open position; and,
FIG. 11 is a bottom, right-side perspective view thereof with the optional attachment (not claimed) and with the panel in the open position.
The broken lines depict unclaimed portions of the multi-function portable electronic device and form no part of the claimed design.

- (56) **References Cited**
U.S. PATENT DOCUMENTS
D589,829 S * 4/2009 Friedli D10/108
D831,639 S * 10/2018 Terry D14/307

1 Claim, 10 Drawing Sheets



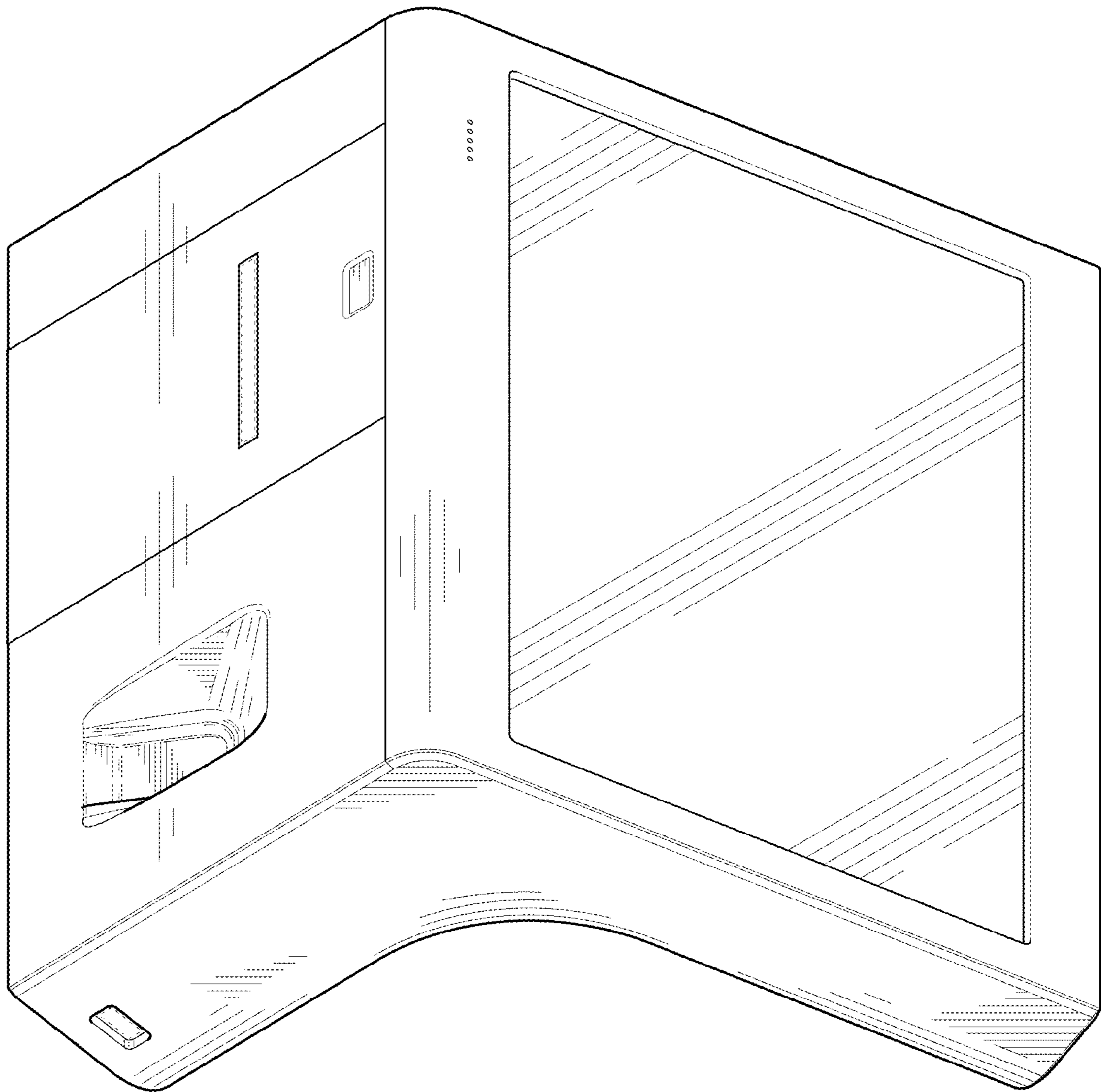


FIG. 1

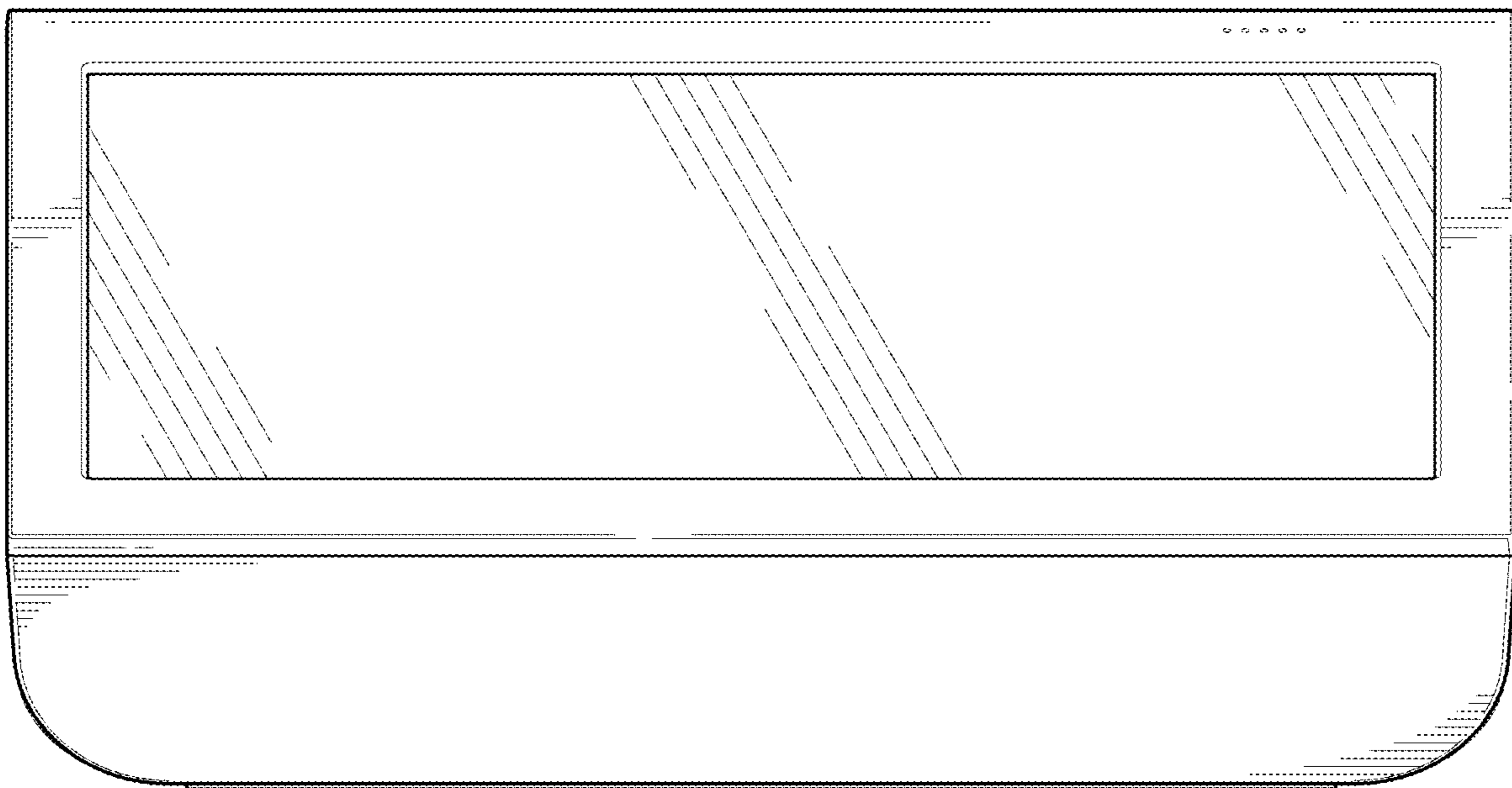


FIG. 2

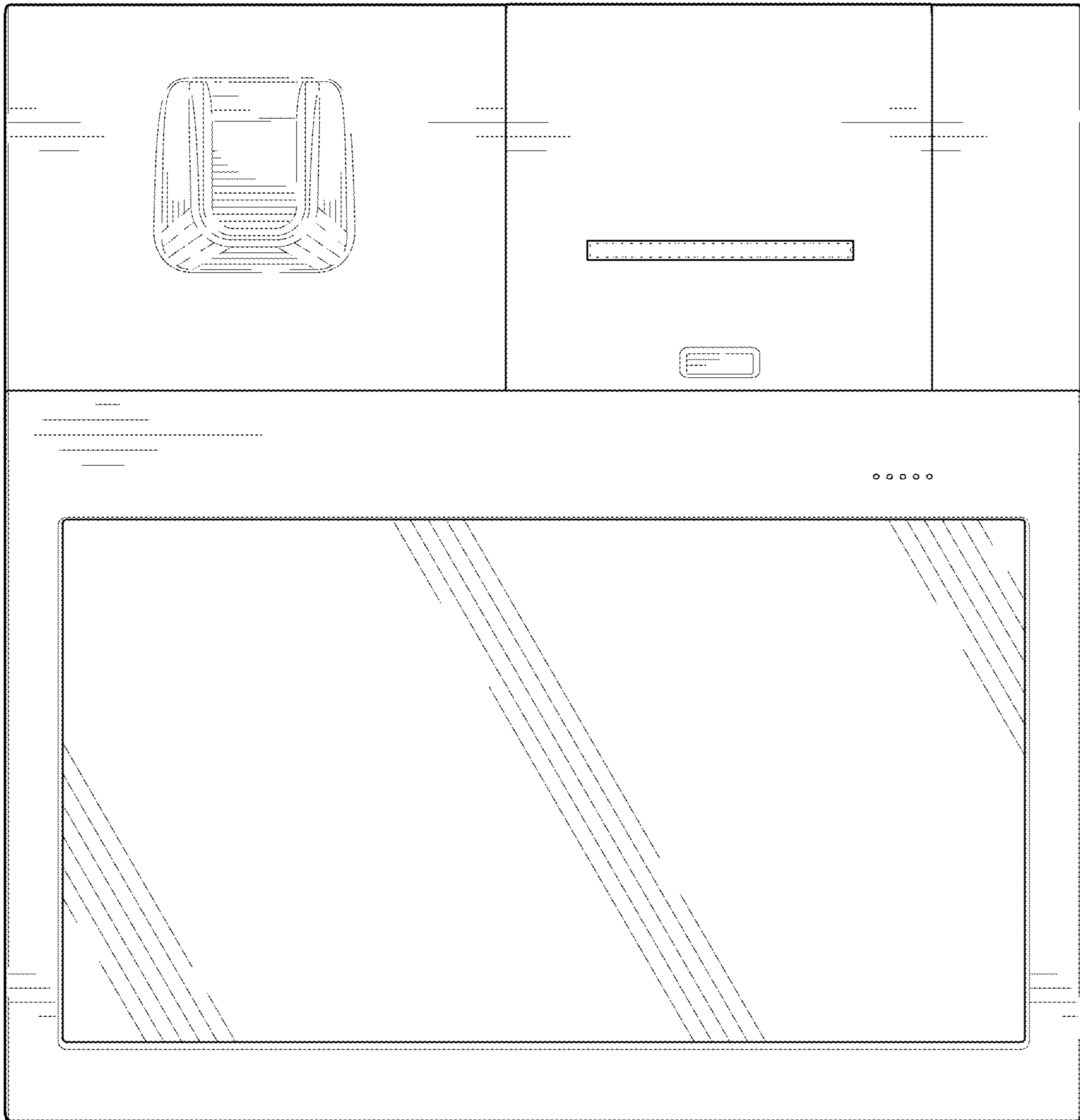


FIG. 3

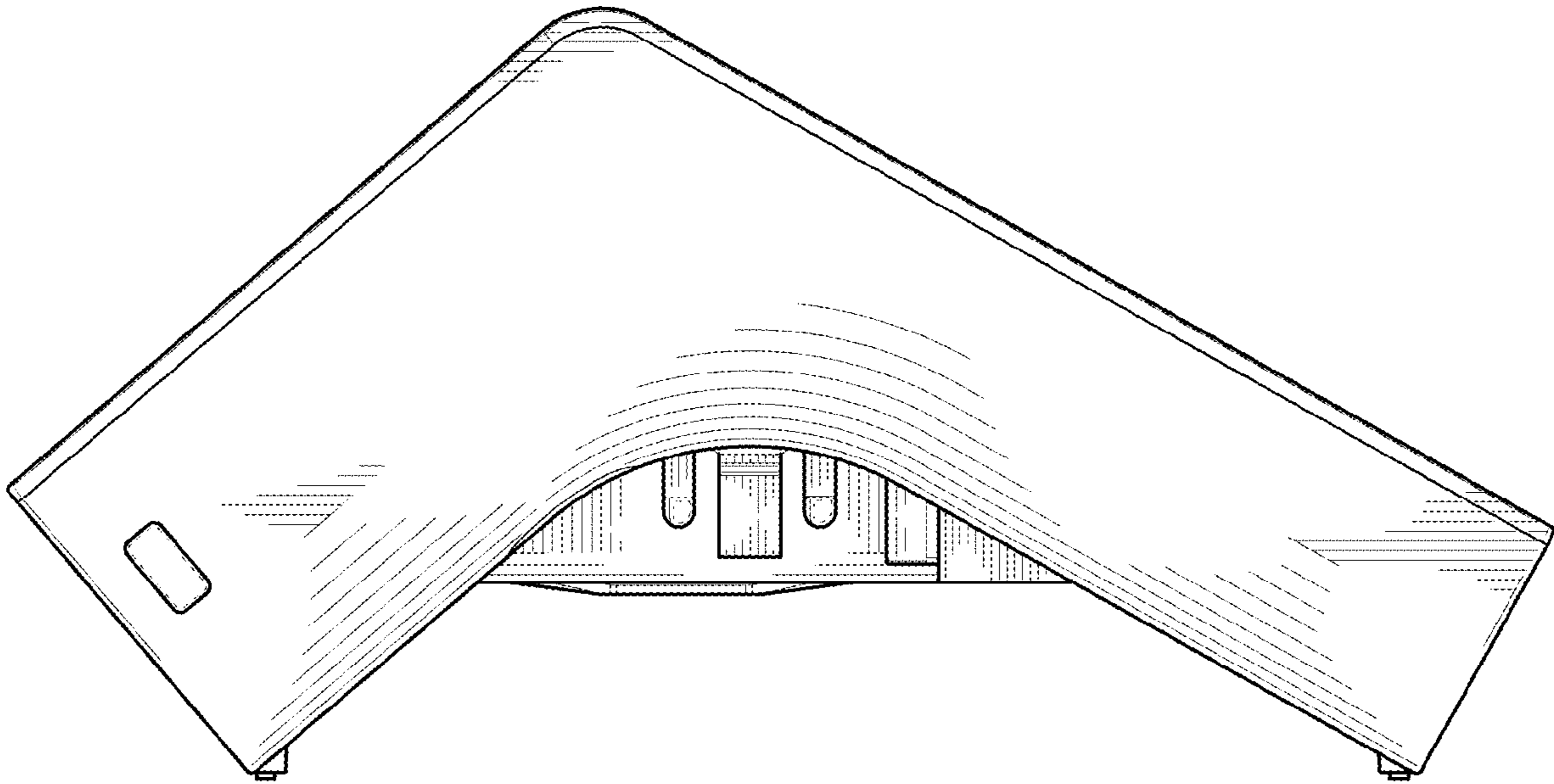


FIG. 4

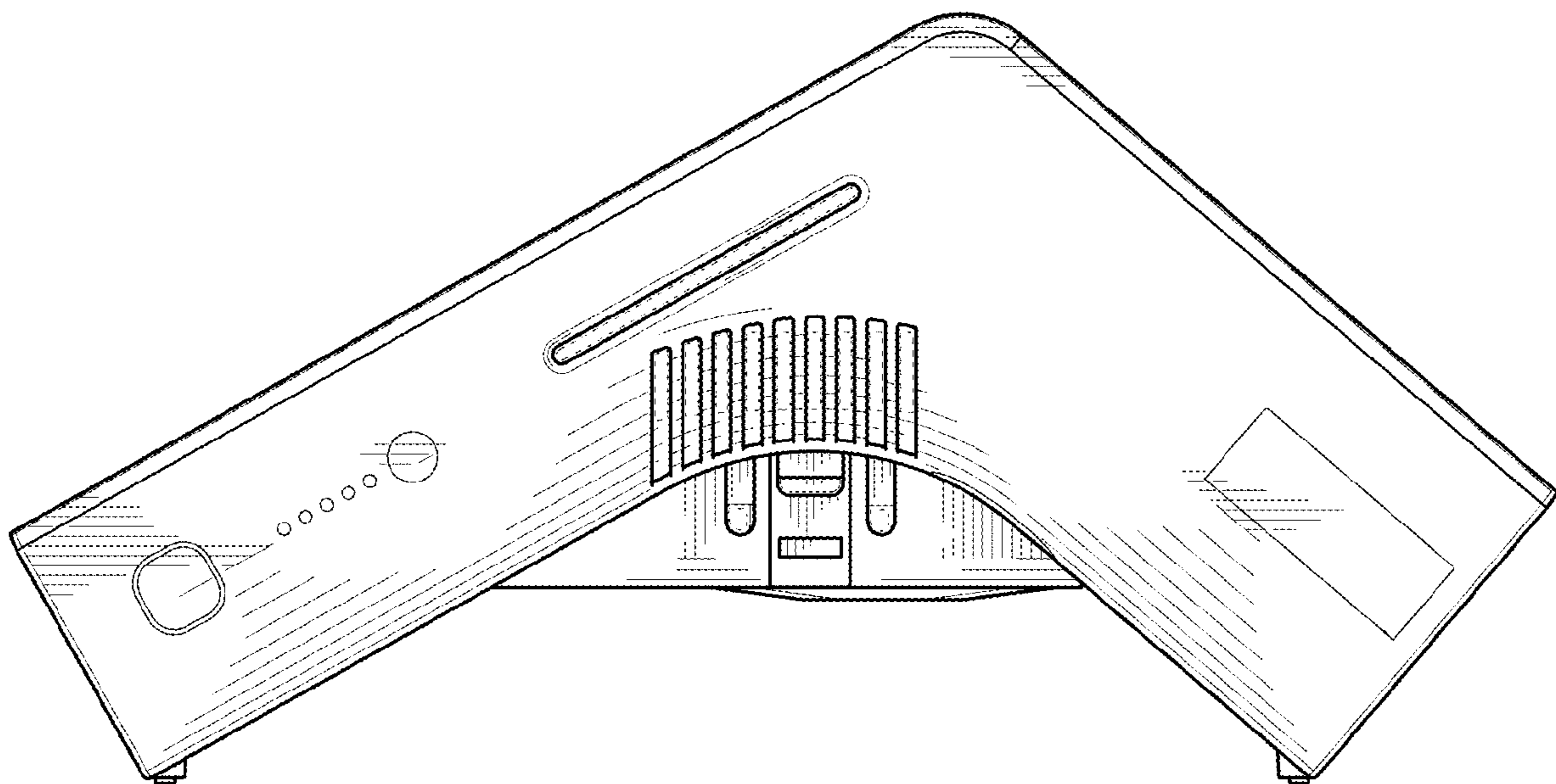


FIG. 5

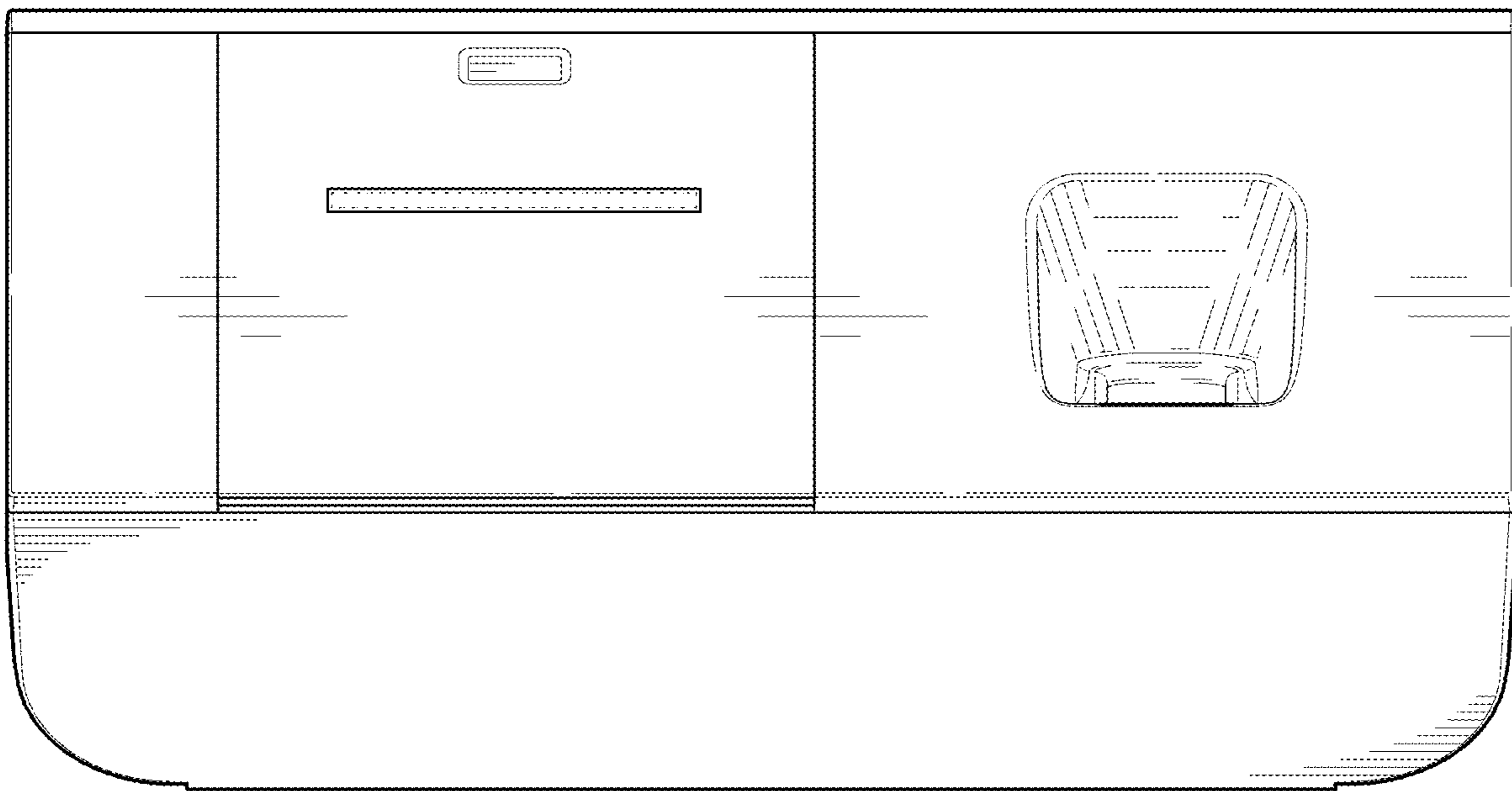


FIG. 6

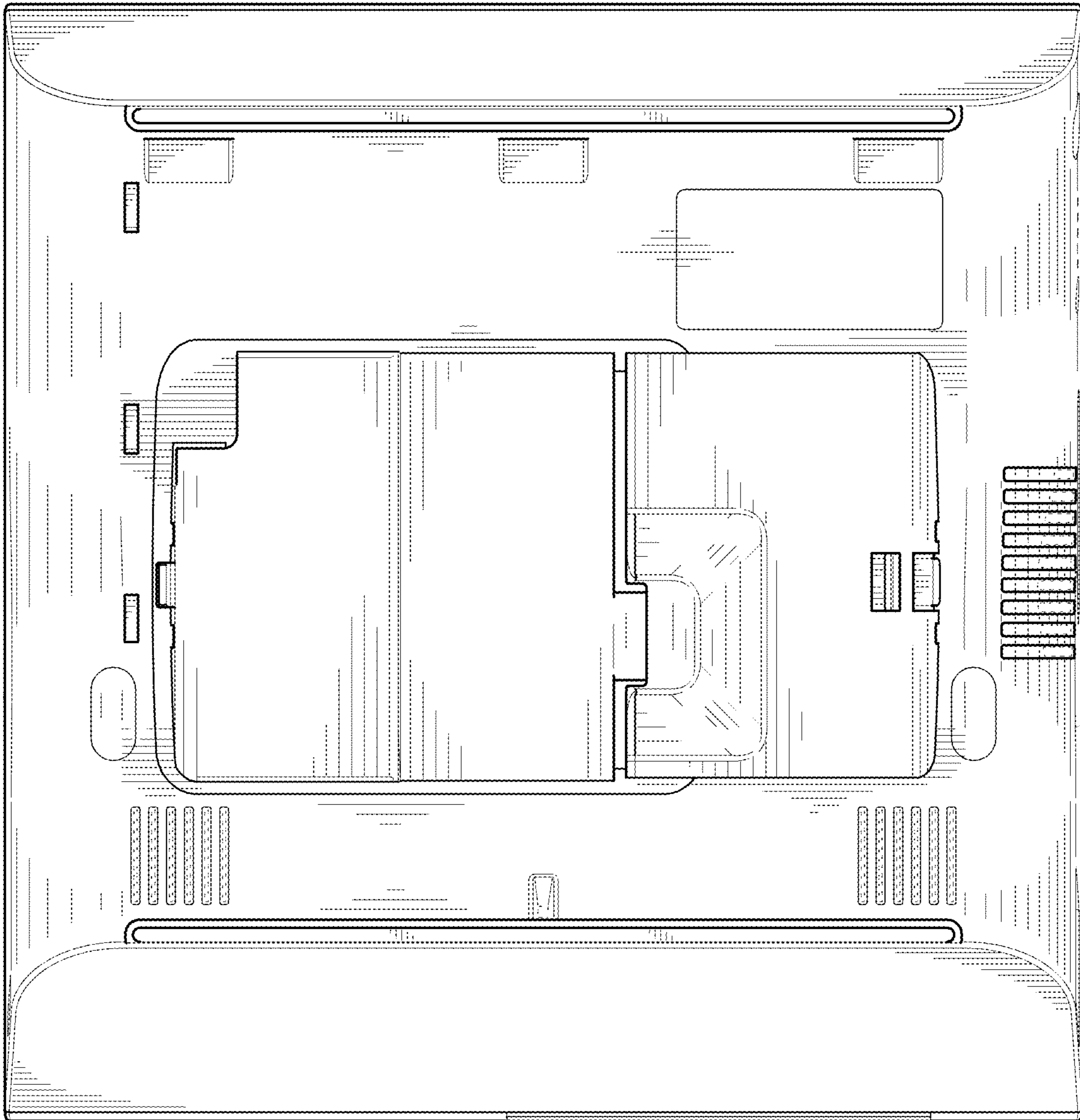


FIG. 7

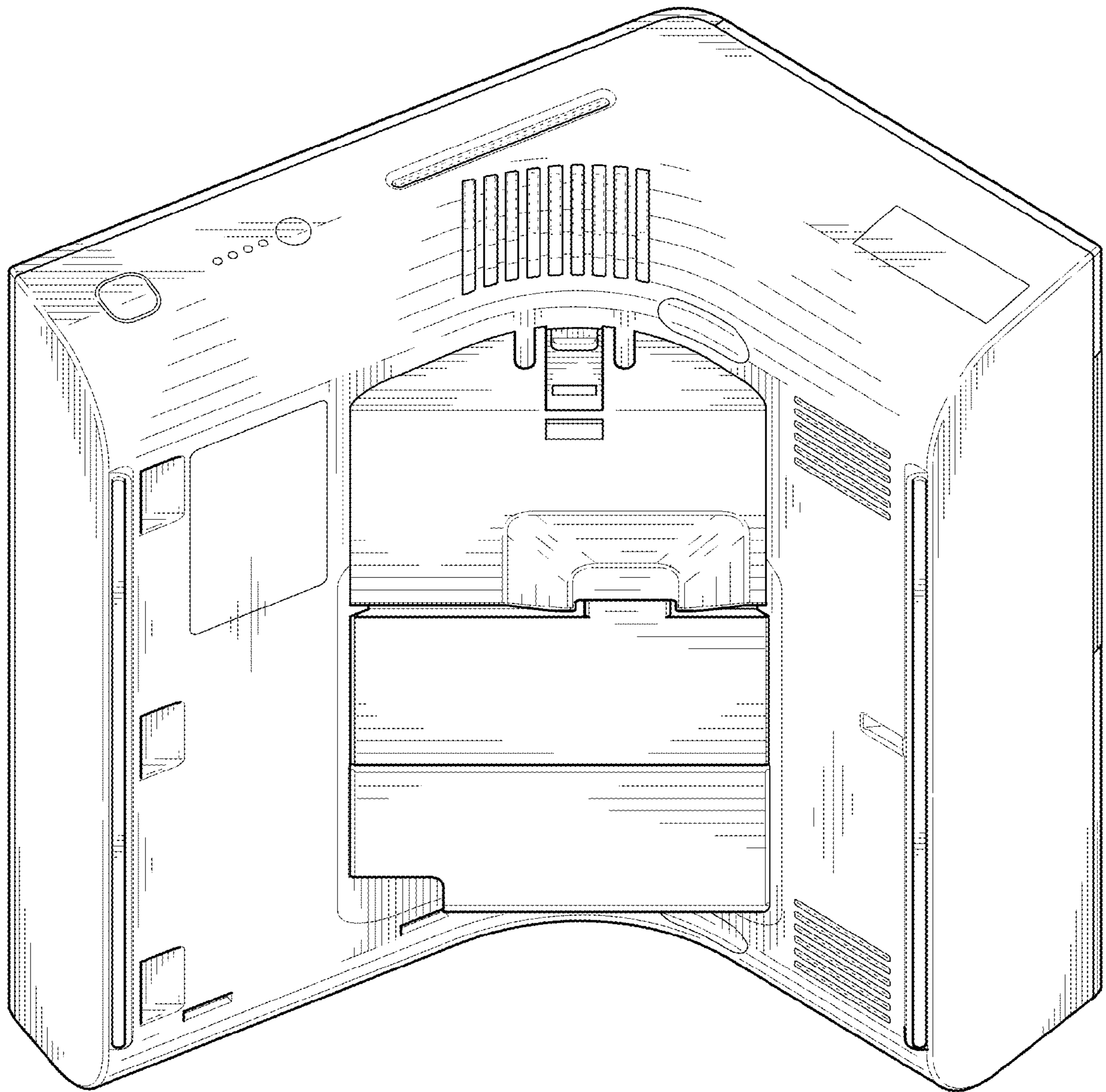


FIG. 8

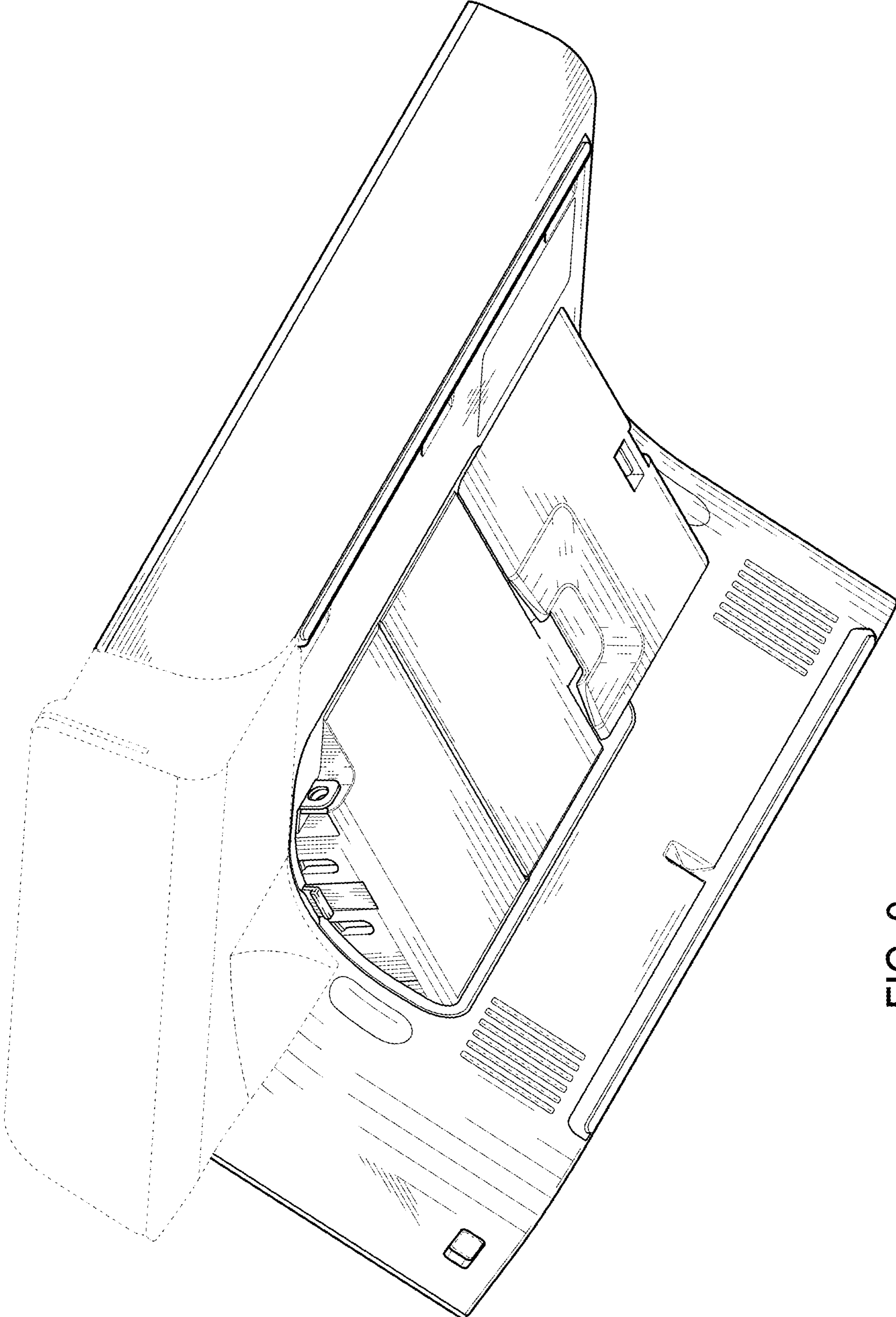


FIG. 9

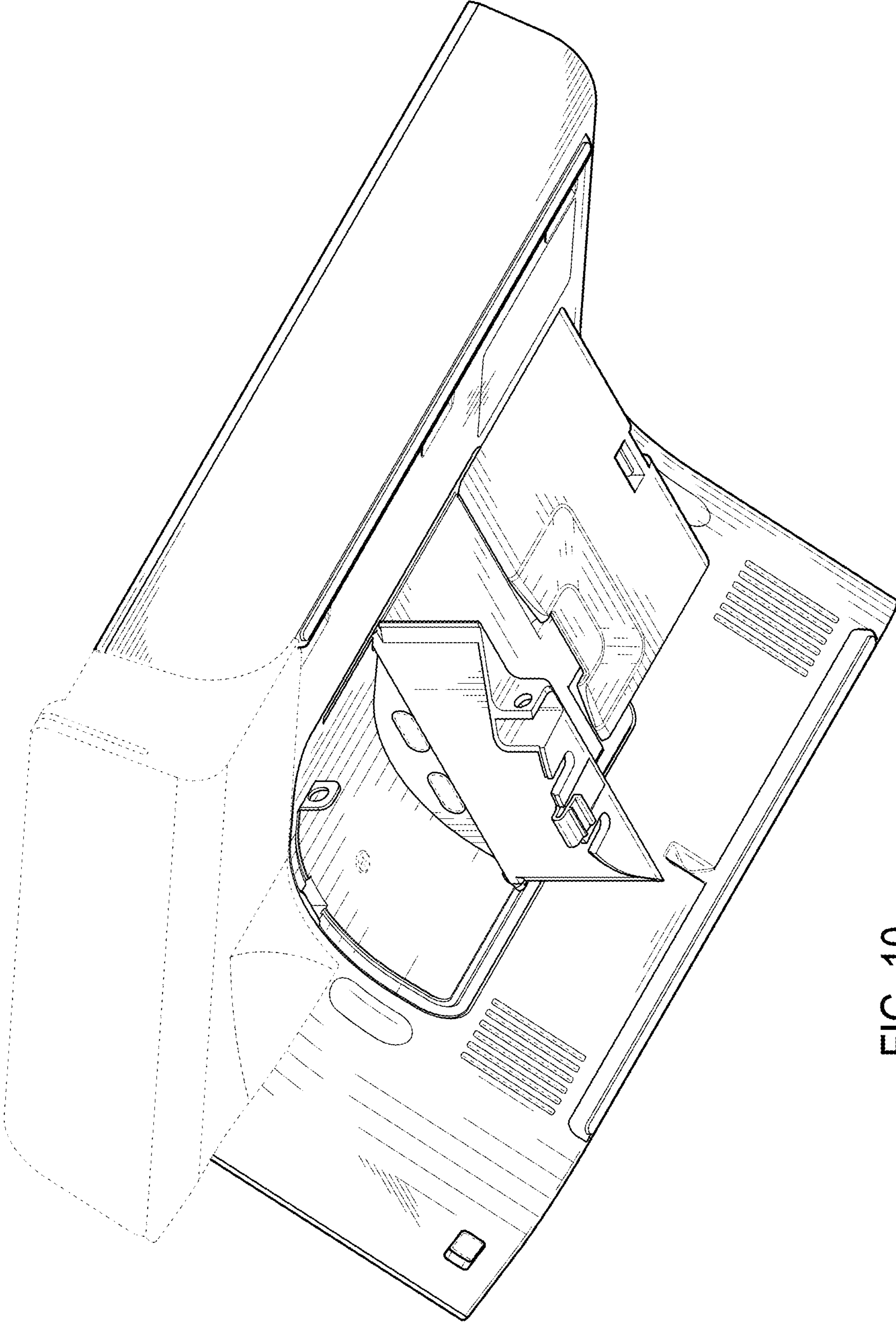


FIG. 10

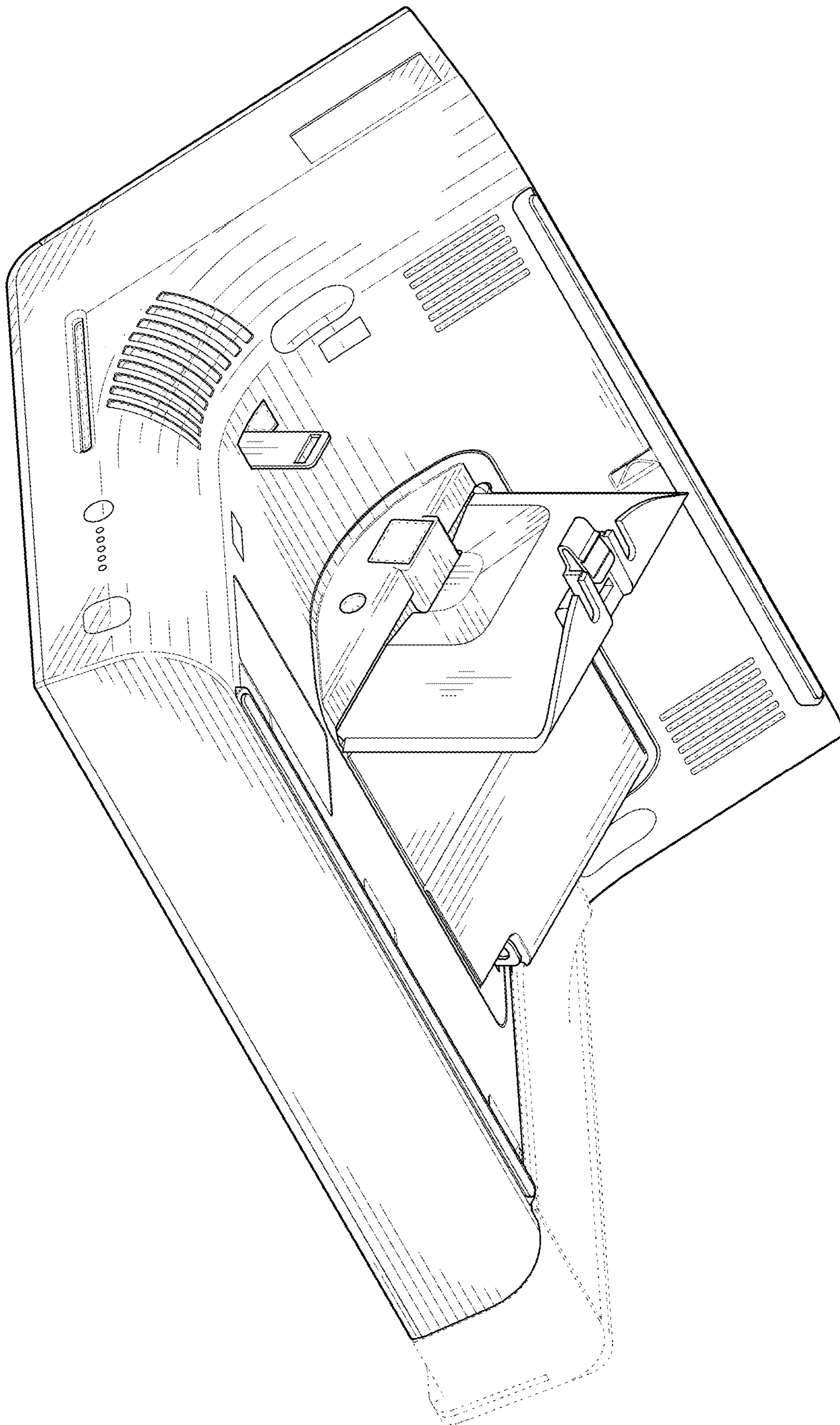


FIG. 11