



US00D900802S

(12) **United States Design Patent** (10) **Patent No.:** **US D900,802 S**
Ahn (45) **Date of Patent:** **** Nov. 3, 2020**

- (54) **CASE FOR ELECTRONIC COMMUNICATIONS DEVICE**
- (71) Applicant: **SPIGEN KOREA CO., LTD.**, Seoul (KR)
- (72) Inventor: **Deok Hyun Ahn**, Seoul (KR)
- (73) Assignee: **Spigen Korea CO., LTD.**, Seoul (KR)
- (**) Term: **15 Years**
- (21) Appl. No.: **29/700,011**
- (22) Filed: **Jul. 30, 2019**

Related U.S. Application Data

- (63) Continuation of application No. 29/636,017, filed on Feb. 5, 2018, now Pat. No. Des. 857,685.
- (51) **LOC (12) Cl.** **14-03**
- (52) **U.S. Cl.**
USPC **D14/250**
- (58) **Field of Classification Search**
USPC D14/250, 203.3–203.7, 439, 238.1, 440, D14/251–253, 447, 217, 240, 248;
(Continued)

References Cited

U.S. PATENT DOCUMENTS

- D543,541 S * 5/2007 Chung D3/218
 - D553,352 S * 10/2007 Allen D3/218
- (Continued)

OTHER PUBLICATIONS

“Spigen Neo Hybrid Galaxy S6 Case with Flexible Inner Protection and Reinforced Hard Bumper Frame for Galaxy S6 2015—Satin Silver”, <https://www.amazon.com/dp/B00QU4Q31A>, Earliest review date of Mar. 6, 2015, Downloaded on Dec. 18, 2018.

(Continued)

Primary Examiner — Carla J Wright
(74) *Attorney, Agent, or Firm* — Heedong Chae; Lucem, PC

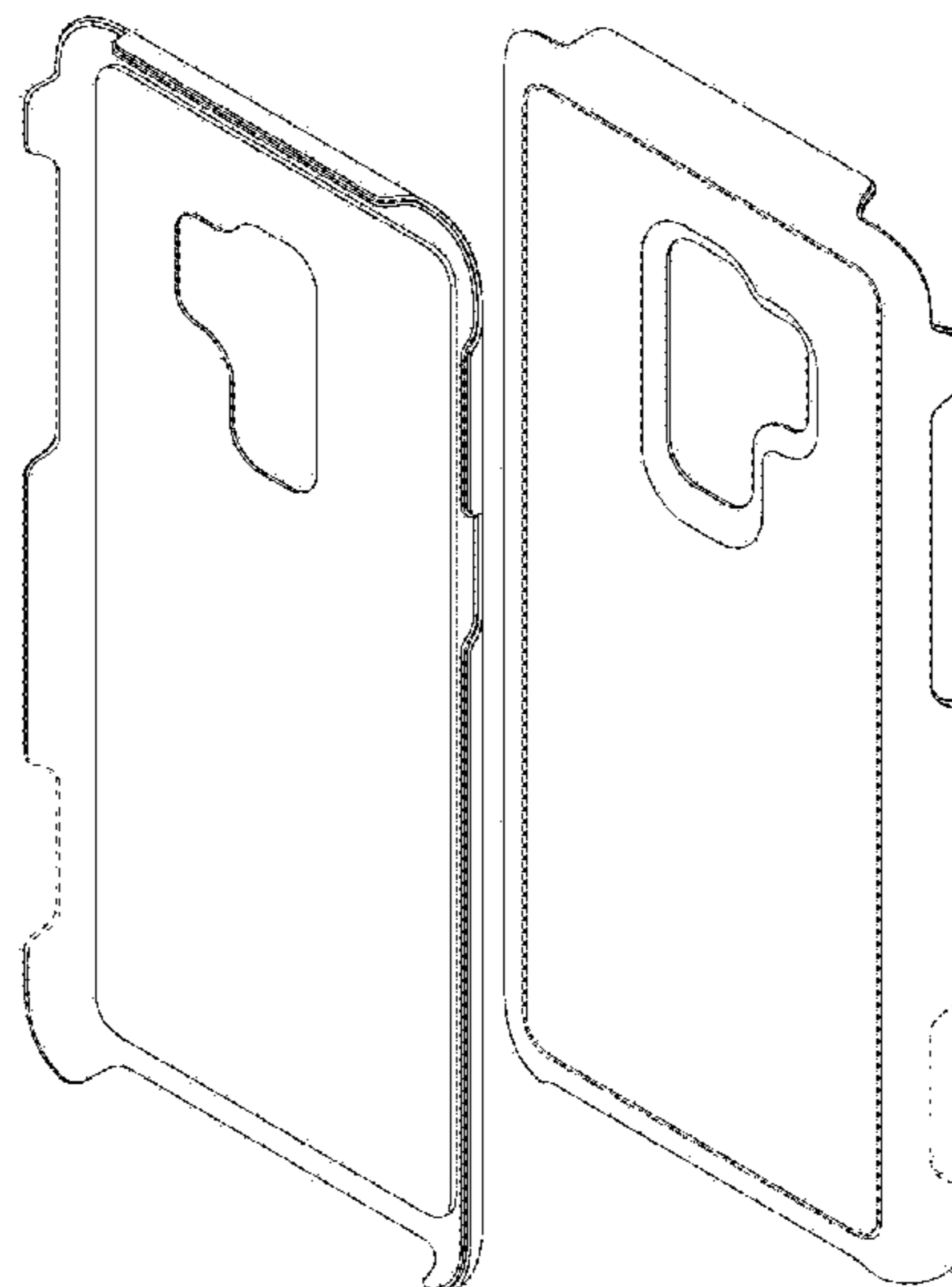
(57) **CLAIM**

The ornamental design for a case for electronic communications device, as shown and described.

DESCRIPTION

FIG. 1 is a front perspective view of a case for electronic communications showing my new design; FIG. 2 is a rear perspective view thereof; FIG. 3 is a front elevational view thereof; FIG. 4 is a rear elevational view thereof; FIG. 5 is a left side elevational view thereof; FIG. 6 is a right side elevational view thereof; FIG. 7 is a top plan view thereof; FIG. 8 is a bottom plan view thereof; FIG. 9 is a front perspective view showing the inner shell component of the case in isolation for clarity of disclosure; FIG. 10 is a rear perspective view showing the inner shell component of the case in isolation for clarity of disclosure; FIG. 11 is a front perspective view showing the outer frame component of the case in isolation for clarity of disclosure; FIG. 12 is a rear perspective view showing the outer frame component of the case for clarity of disclosure; FIG. 13 is an exploded front perspective view showing the components of the case separated for clarity of disclosure; and, FIG. 14 is an exploded rear perspective view showing the components of the case separated for clarity of disclosure. The broken lines throughout the drawing figures depict portions of the case for electronic communications device that form no part of the claimed design. The broken lines and regions bounded by broken lines form no part of the claimed design.

1 Claim, 14 Drawing Sheets



US D900,802 S

(58) Field of Classification Search

USPC D3/201, 218, 247, 269, 273, 301, 303;
 D13/103, 119, 107-108
 CPC H04B 1/3888; H04M 1/0283; H04M
 1/0202; A45C 1/06; A45C 11/00; A45C
 13/02; A45C 2011/002; A45F 2005/026;
 A45F 2200/0525; A45F 2200/0516
 See application file for complete search history.

(56) References Cited

U.S. PATENT DOCUMENTS

D565,290 S * 4/2008 Brandenburg D3/218
 D593,750 S * 6/2009 Song D3/269
 D610,135 S * 2/2010 Hofer D14/248
 D619,361 S 7/2010 Andre
 D620,931 S * 8/2010 Opman D14/250
 D621,395 S * 8/2010 Richardson D14/250
 D625,303 S * 10/2010 Kim D14/250
 D635,555 S * 4/2011 Giles D14/217
 D637,589 S 5/2011 Willes et al.
 D646,265 S 10/2011 Fathollahi
 D646,266 S * 10/2011 Kim D14/250
 D650,371 S 12/2011 Wibby
 D653,249 S * 1/2012 Fahrenedorff D14/250
 D655,281 S 3/2012 Turocy
 D662,924 S 7/2012 Melanson et al.
 D673,547 S 1/2013 Melanson et al.
 D681,615 S 5/2013 Fathollahi
 D685,364 S * 7/2013 Murchison D14/250
 8,517,172 B1 * 8/2013 Chang G06F 1/1626
 206/320
 D699,716 S 2/2014 Pan
 D703,646 S 4/2014 Fathollahi
 D705,768 S 5/2014 Melanson et al.
 D706,254 S 6/2014 Chang
 D709,062 S 7/2014 Melanson et al.
 D718,757 S 12/2014 Jaffee
 D718,758 S 12/2014 Jaffee
 D719,947 S 12/2014 Kobayashi
 D721,071 S * 1/2015 Nelson D14/250
 D721,360 S 1/2015 Laffon de Mazieres
 D721,694 S 1/2015 Lee et al.
 D731,472 S 6/2015 Lee et al.
 D739,394 S 9/2015 Rayner et al.
 D746,273 S 12/2015 Herbst
 D746,275 S 12/2015 Mohammad
 D746,805 S 1/2016 Kim
 D749,535 S 2/2016 Joung
 D753,099 S 4/2016 Kim
 D762,200 S 7/2016 Pan et al.
 D763,841 S 8/2016 Kim
 D765,628 S 9/2016 Watt et al.
 D765,632 S * 9/2016 Northrup D14/250
 D765,633 S * 9/2016 Northrup D14/250
 D765,634 S 9/2016 McCray et al.
 D765,638 S 9/2016 Gaylord et al.
 D765,640 S 9/2016 Bulkley et al.
 D765,642 S * 9/2016 Bulkley D14/250
 D765,645 S 9/2016 Kim
 D771,608 S 11/2016 Kim
 D771,611 S * 11/2016 Chang D14/250
 D772,209 S 11/2016 Kim
 D772,211 S 11/2016 Poon et al.
 D772,213 S 11/2016 Daniel et al.
 D772,857 S 11/2016 Poon
 D773,445 S * 12/2016 Witter D14/250
 D775,614 S 1/2017 Kim et al.
 D775,619 S 1/2017 Tien
 D776,104 S 1/2017 Tien
 D776,649 S 1/2017 Kim
 D777,155 S 1/2017 Kim
 D777,156 S 1/2017 Kim
 D777,160 S 1/2017 Kim
 D777,716 S 1/2017 Kim
 D778,897 S * 2/2017 Kim D14/250

D778,898 S 2/2017 Kim
 D780,164 S 2/2017 Lee
 D780,166 S 2/2017 Lin
 D780,167 S 2/2017 Tien
 D781,834 S 3/2017 Kim et al.
 D781,835 S 3/2017 Kim et al.
 D781,836 S 3/2017 Kim et al.
 D786,851 S 5/2017 Kim
 D786,852 S 5/2017 Kim
 D786,854 S 5/2017 Kim
 D787,491 S 5/2017 Kim
 D787,492 S 5/2017 Kim
 D788,090 S 5/2017 Kim
 D789,344 S 6/2017 Kim
 D791,755 S 7/2017 Kim
 D792,394 S 7/2017 Lee et al.
 D795,237 S 8/2017 Jung et al.
 D796,497 S 9/2017 Kim
 D796,498 S 9/2017 Babichenko
 D797,094 S 9/2017 Kim
 D800,713 S 10/2017 Kim
 D801,326 S 10/2017 Kim et al.
 D802,574 S 11/2017 Kim
 D803,206 S 11/2017 Kim
 D806,063 S 12/2017 Kim
 D807,337 S 1/2018 Kim et al.
 D807,868 S 1/2018 Wang
 D808,375 S * 1/2018 Kim D14/250
 D808,377 S * 1/2018 Witter D14/250
 D810,064 S * 2/2018 Kim D14/250
 D815,083 S 4/2018 Fitzgerald et al.
 D823,293 S 7/2018 Kim et al.
 D823,296 S 7/2018 Kim et al.
 D823,298 S 7/2018 Kim et al.
 D830,353 S 10/2018 Kim et al.
 D835,089 S 12/2018 Nelson et al.
 D835,090 S 12/2018 Beck et al.
 D838,262 S 1/2019 Witter et al.
 D838,710 S 1/2019 Wang
 D839,252 S 1/2019 Lim et al.
 D857,685 S * 8/2019 Ahn D14/250
 2011/0050606 A1 3/2011 Zhang
 2014/0221056 A1 8/2014 Gandhi et al.
 2015/0053583 A1 * 2/2015 McCormick A45C 11/00
 206/521
 2015/0335116 A1 11/2015 Kim
 2016/0101902 A1 4/2016 Kim
 2016/0204817 A1 7/2016 Kim
 2016/0269516 A1 9/2016 Kim
 2016/0285301 A1 9/2016 Kim
 2016/0374443 A1 12/2016 Kim
 2017/0150792 A1 6/2017 Kim
 2017/0230072 A1 8/2017 Kim

OTHER PUBLICATIONS

“Spigen Neo Hybrid Galaxy S6 Edge Case with Flexible Inner Protection and Reinforced Hard Bumper Frame for Galaxy S6 Edge 2015—Gunmetal”, <https://www.amazon.com/dp/B00OSV635BG>, Earliest review date of Mar. 19, 2015, Downloaded on Dec. 18, 2018.
 “Spigen Neo Hybrid CC Galaxy S6 Case with Flexible Inner Casing and Reinforced Hard Bumper Frame for Galaxy S6 2015—Satin Silver”, <https://www.amazon.com/dp/B00UMDOZLU>, Earliest review date of Mar. 25, 2015, Downloaded on Dec. 18, 2018.
 “Spigen Neo Hybrid CC Galaxy S6 Edge Case with Flexible Inner Casing and Reinforced Hard Bumper Frame for Galaxy S6 Edge 2015—Blue Topaz”, <https://www.amazon.com/dp/B00USAPGKQ>, Earliest review date of Apr. 4, 2015, Downloaded on Dec. 18, 2018.
 “Spigen Neo Hybrid Carbon Galaxy S6 Edge Plus Case with Carbon Fiber Design and Reinforced Hard Bumper Frame for Galaxy S6 Edge Plus 2015—Dante Red”, <https://www.amazon.com/dp/B010MWHZS0>, Earliest review date of Aug. 18, 2015, Downloaded on Dec. 18, 2018.

(56)

References Cited

OTHER PUBLICATIONS

“Spigen Neo Hybrid Crystal Galaxy S7 Edge Case with Flexible Inner Casing and Reinforced Hard Bumper Frame for Samsung Galaxy S7 Edge 2016—Satin Silver”, <https://www.amazon.com/dp/B01A7IDQV4>, Earliest review date of Feb. 22, 2016, Downloaded on Dec. 18, 2018.

“Spigen Neo Hybrid Galaxy S7 Case with Flexible Inner Protection and Reinforced Hard Bumper Frame for Samsung Galaxy S7 2016—Gunmetal”, <https://www.amazon.com/dp/B01B1I6J0E>, Earliest review date of Feb. 27, 2016, Downloaded on Dec. 18, 2018.

“Spigen Neo Hybrid Galaxy S7 Edge Case with Flexible Inner Protection and Reinforced Hard Bumper Frame for Samsung Galaxy S7 Edge 2016—Satin Silver”, <https://www.amazon.com/dp/B01B1I6JMM>, Earliest review date of Feb. 27, 2016, Downloaded on Dec. 18, 2018.

“Spigen Neo Hybrid Crystal Galaxy S7 Case with Flexible Inner Casing and Reinforced Hard Bumper Frame for Samsung Galaxy S7 2016—Champagne Gold”, <https://www.amazon.com/dp/B01B29WCOY>, Earliest review date of Mar. 3, 2016, Downloaded on Dec. 18, 2018.

“Bentoben Heavy Duty Slim Shockproof Drop Protection 3 in 1 Hybrid Hard PC Covers Soft Rubber Bumper Protective Case for iPhone 8 Plus 7 Plus Cute Rose Gold”, <https://www.amazon.com/BENTOBEN-Shockproof-Protection-Hybrid-Protective/dp/B01LNLX9EI>, Earliest review date of Sep. 23, 2016, Downloaded on Mar. 18, 2019.

“OtterBox Symmetry Series for Samsung Galaxy S8—Retail Packaging—Prickly Pear (Rosmarine/Mountain Range Green)”, <https://www.amazon.com/OtterBox-SYMMETRY-Samsung-Galaxy-Packaging/dp/B06XDYV3CQ>, Earliest review date of Apr. 15, 2017, Downloaded on Mar. 18, 2019.

“OtterBox Symmetry Series Case for iPhone Xs & iPhone X—Retail Packaging—Aspen Gleam (Citrus/Sunflower)”, <https://www.amazon.com/OtterBox-SYMMETRY-Case-iPhone-Packaging/dp/B07GKRLCLC>, Earliest review date of Oct. 22, 2017, Downloaded on Mar. 18, 2019.

“Samsung Galaxy S8 case, i-Blason [Ares] Full-Body Rugged Clear Bumper Case with Built-in Screen Protector for Samsung Galaxy S8 2017 Release (Pink)”, <https://www.amazon.com/Samsung-i-Blason-Full-body-Protector-Release/dp/B076P5WBZQ>, Earliest review date of Nov. 3, 2017, Downloaded on Mar. 18, 2019.

* cited by examiner

FIG. 1

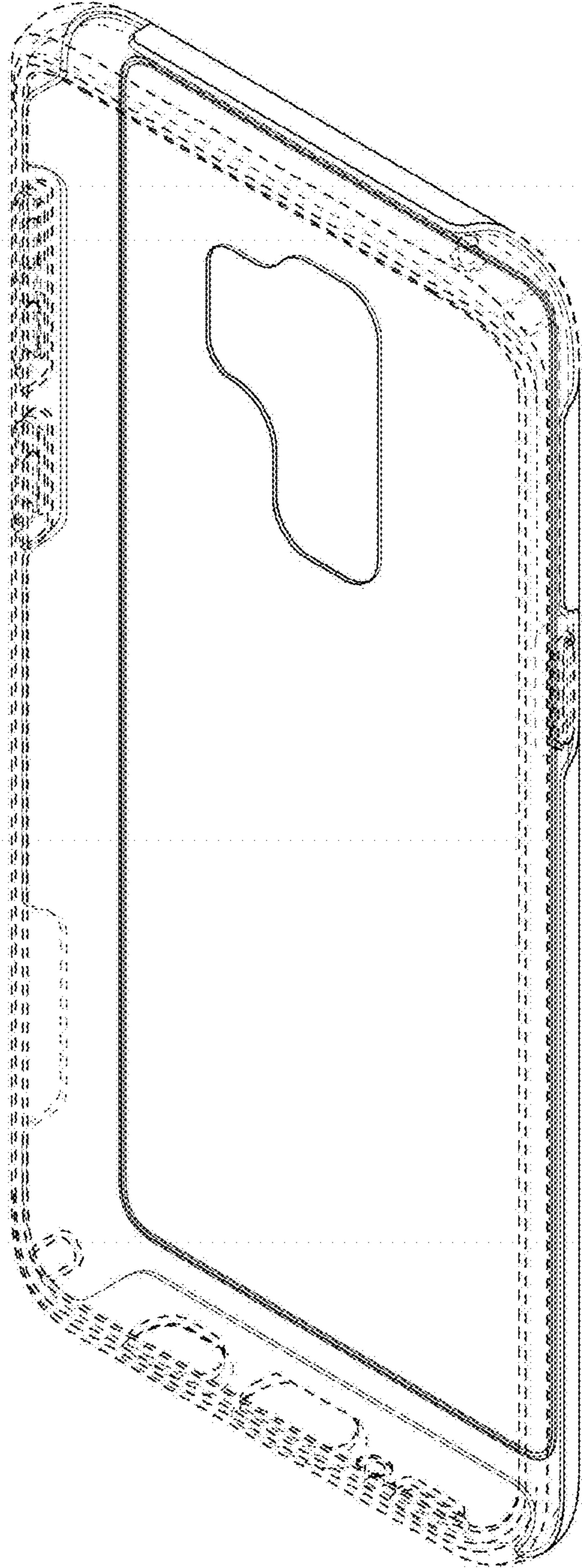


FIG. 2

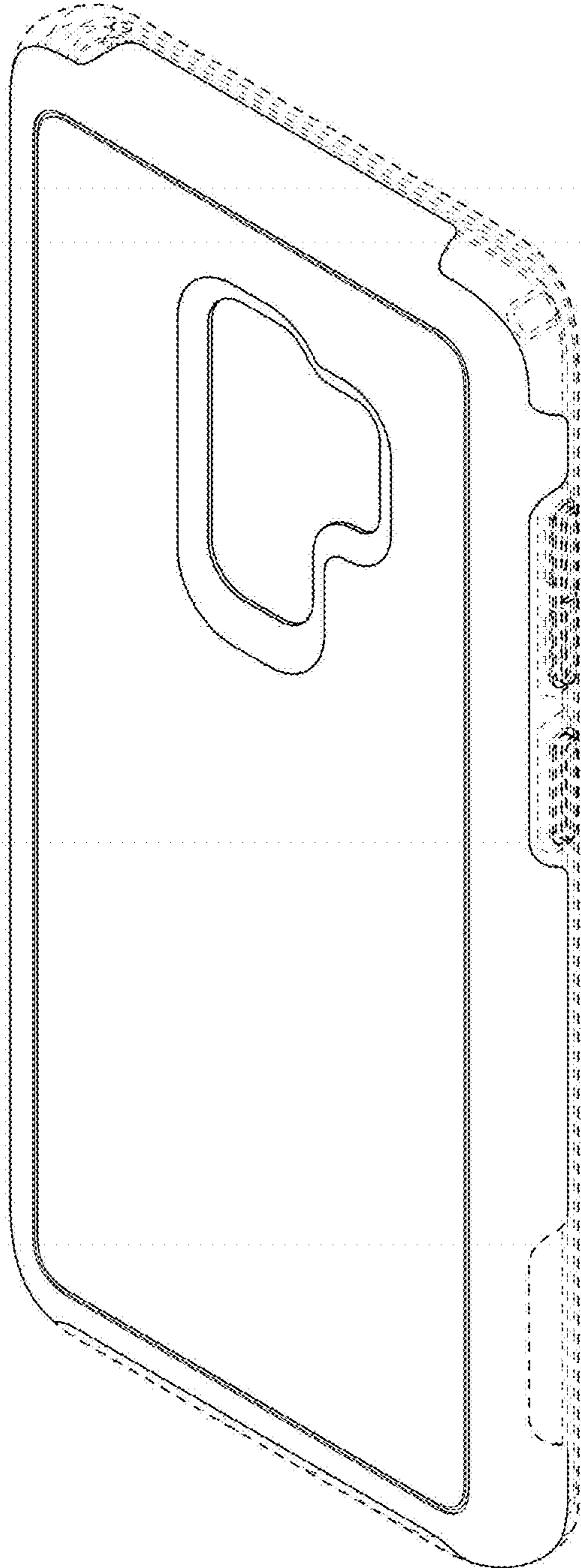


FIG. 3

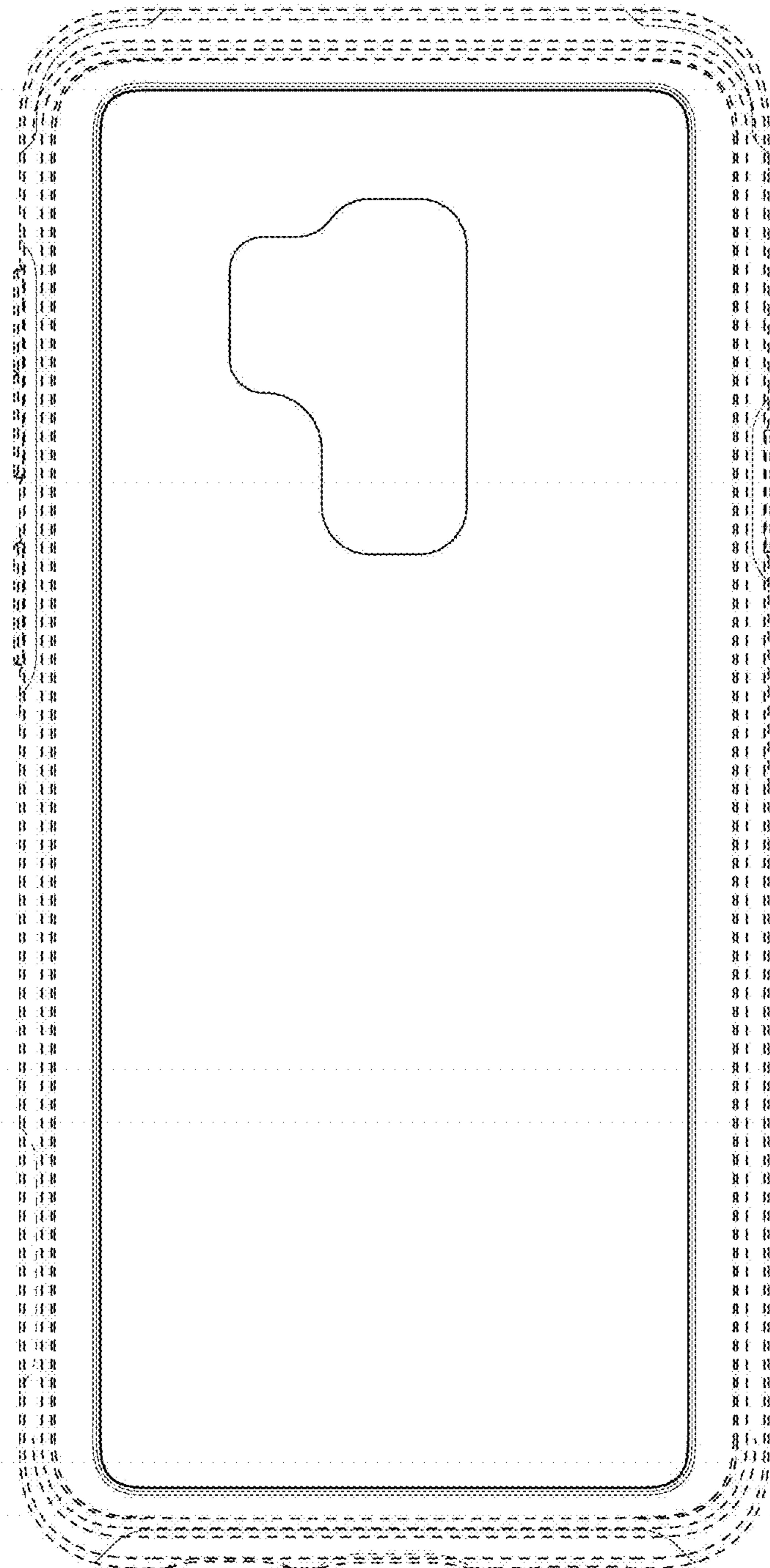


FIG. 4

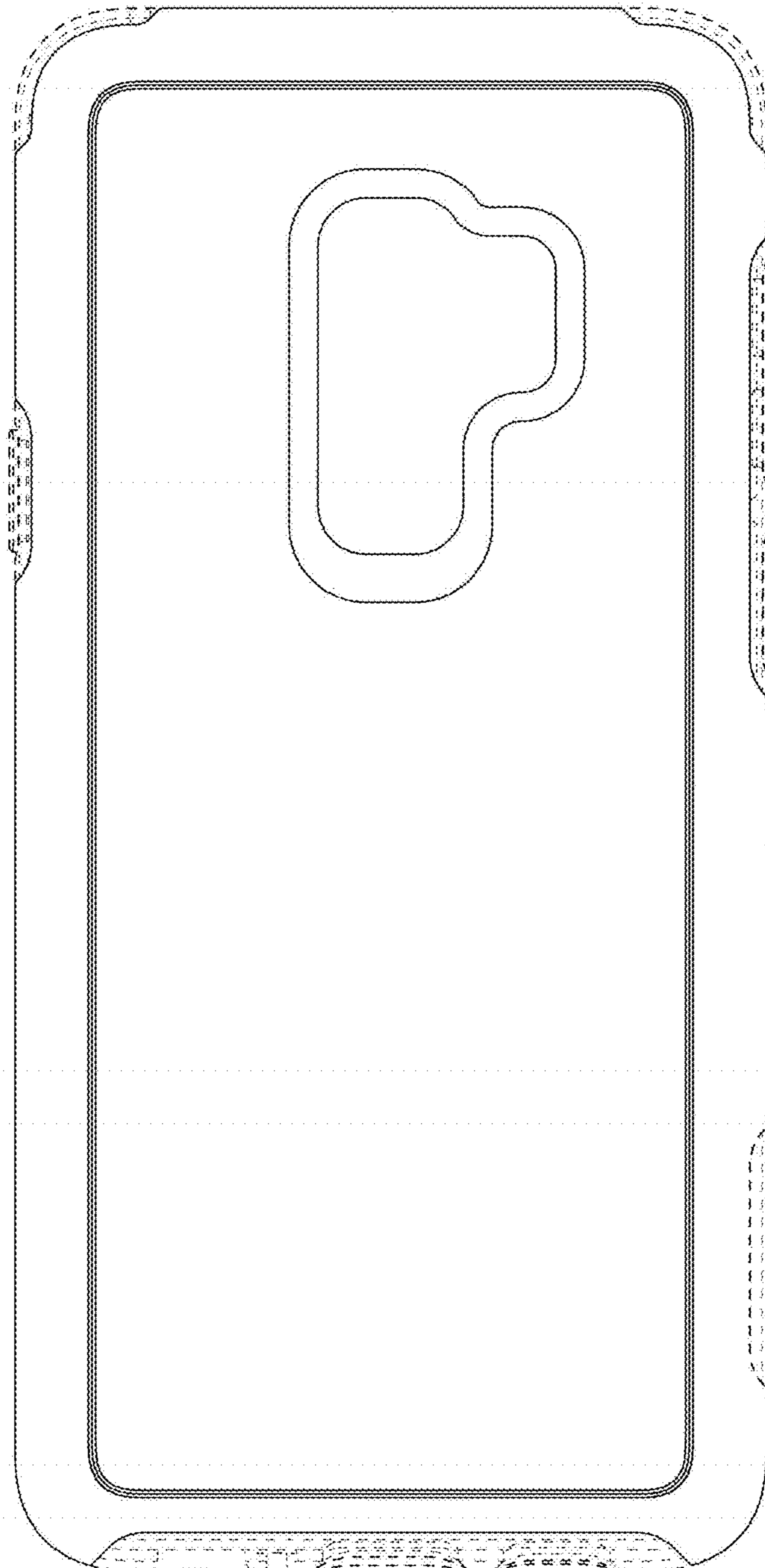


FIG. 5

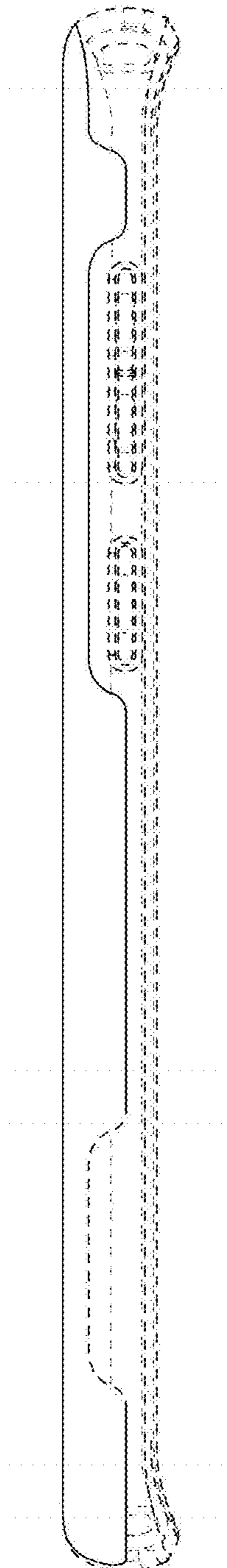


FIG. 6

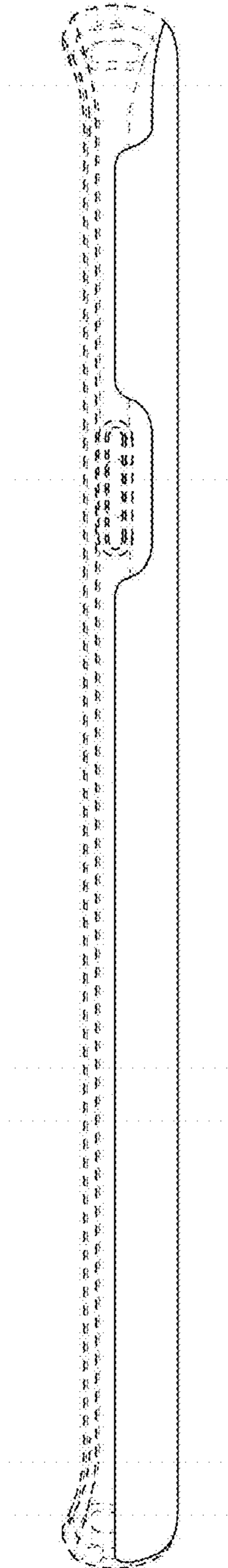


FIG. 7

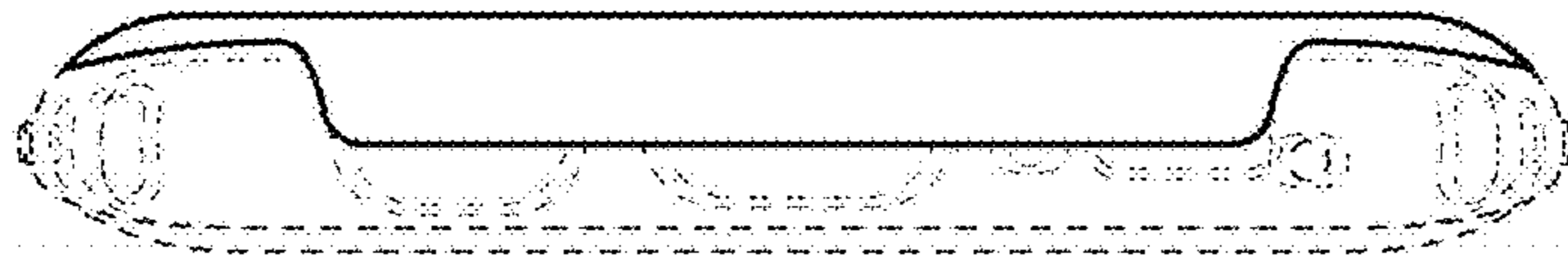


FIG. 8

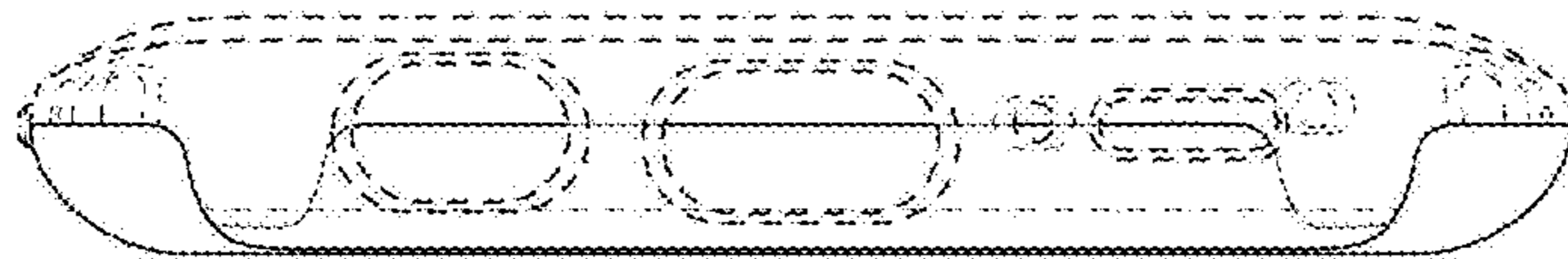


FIG. 9

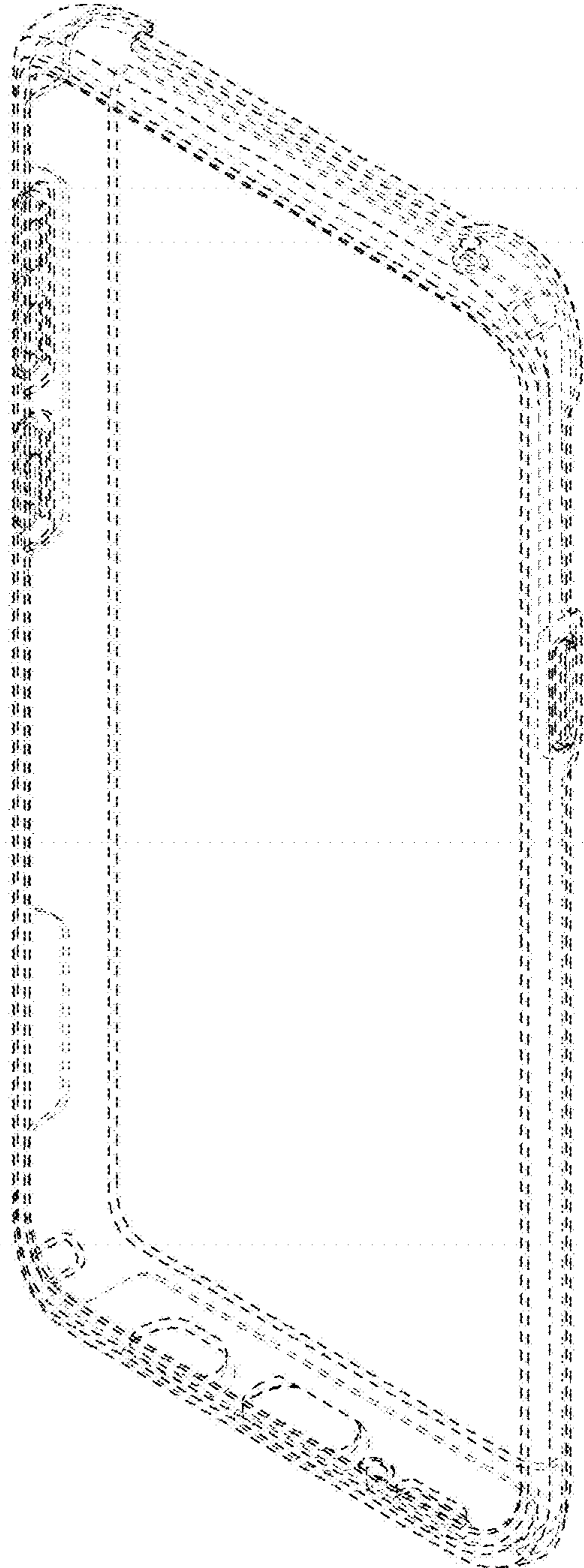


FIG. 10

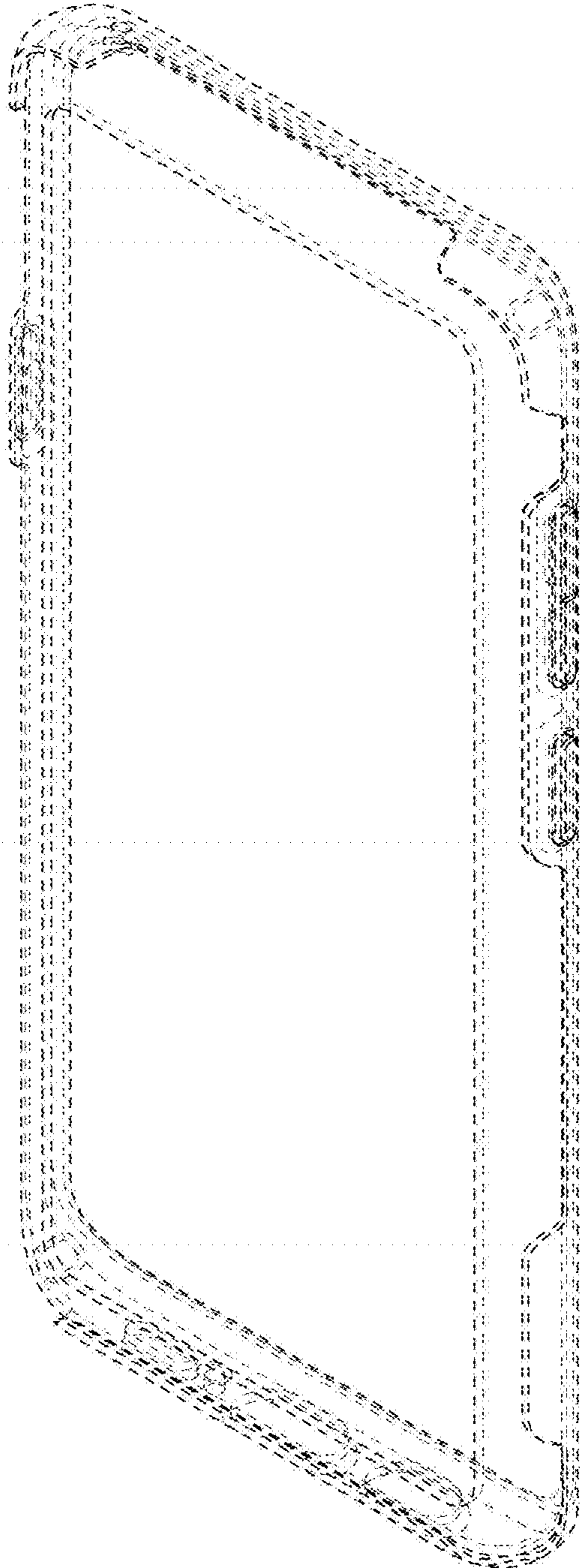


FIG. 11

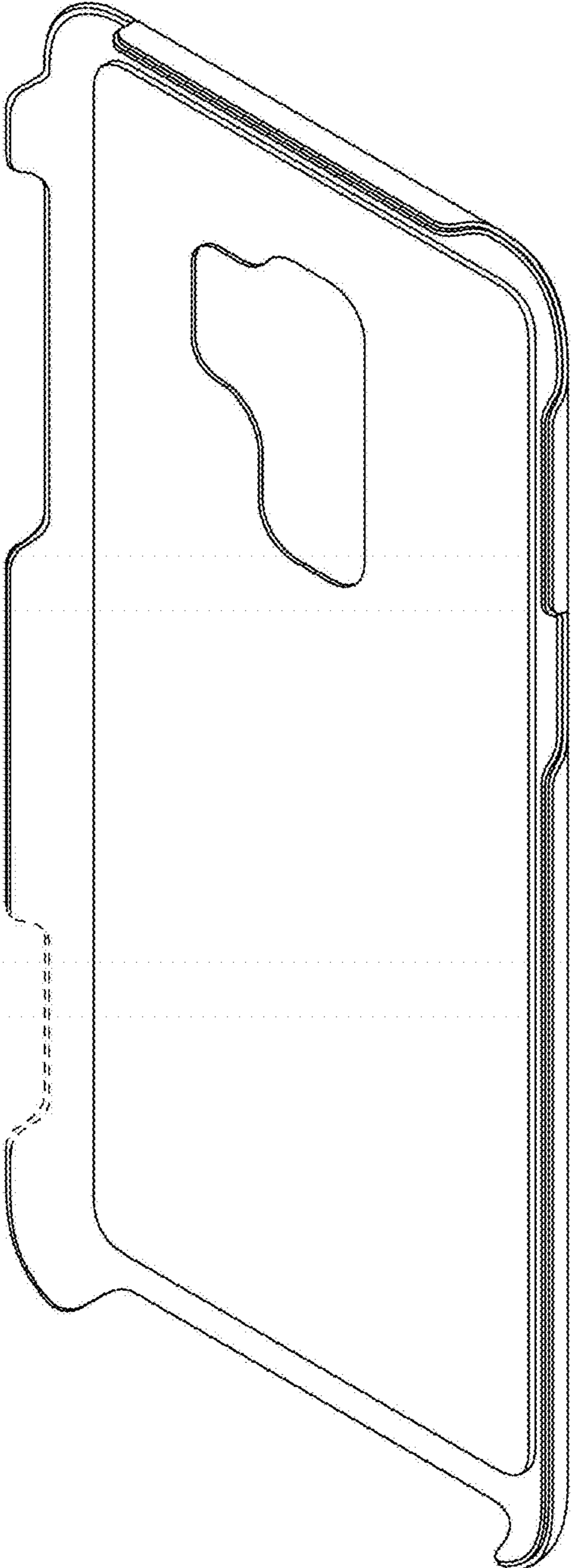


FIG. 12

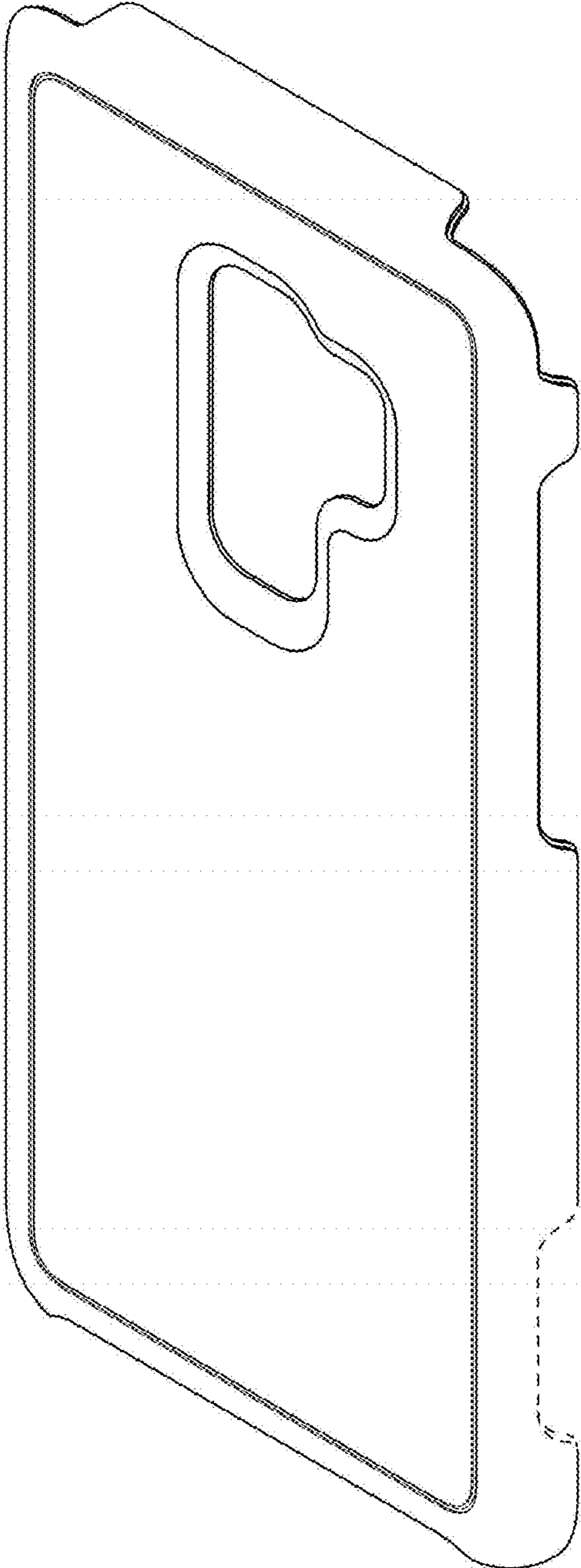


FIG. 13

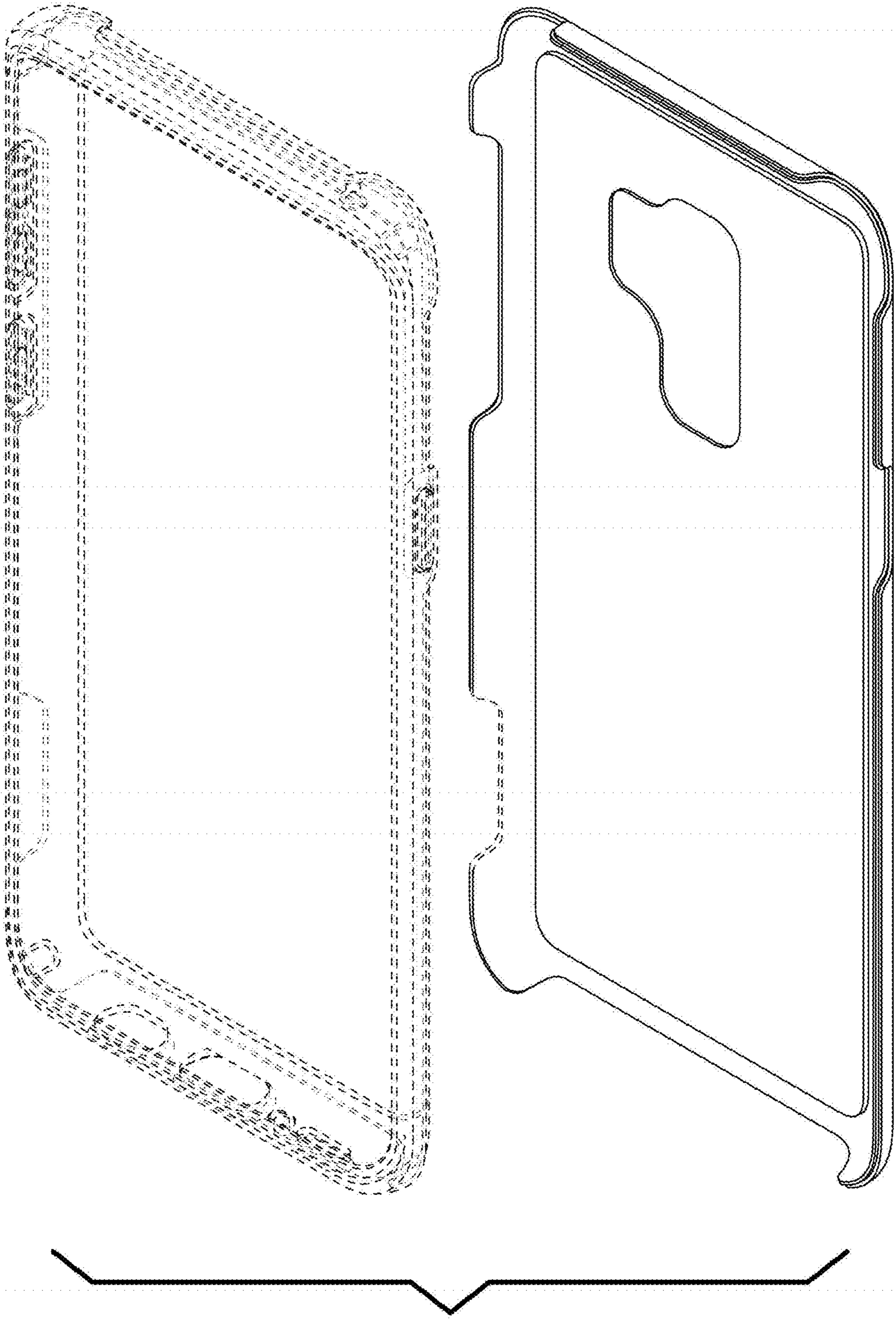


FIG. 14

