



US00D900801S

(12) **United States Design Patent**  
**Zhang**

(10) **Patent No.:** **US D900,801 S**

(45) **Date of Patent:** **\*\* Nov. 3, 2020**

- (54) **CASE FOR MOBILE PHONE**
- (71) Applicant: **Yucai Zhang**, Guangzhou (CN)
- (72) Inventor: **Yucai Zhang**, Guangzhou (CN)
- (\*\*) Term: **15 Years**

|              |    |   |        |            |       |             |
|--------------|----|---|--------|------------|-------|-------------|
| D848,409     | S  | * | 5/2019 | Feng       | ..... | D14/250     |
| D855,615     | S  | * | 8/2019 | Feng       | ..... | D14/432     |
| D883,986     | S  | * | 5/2020 | Akana      | ..... | D14/440     |
| D891,416     | S  | * | 7/2020 | Yu         | ..... | D14/250     |
| 2015/0194998 | A1 | * | 7/2015 | Fathollahi | ..... | H04B 1/3877 |
|              |    |   |        |            |       | 455/575.8   |
| 2015/0266610 | A1 | * | 9/2015 | Melmon     | ..... | A45C 11/00  |
|              |    |   |        |            |       | 206/45.23   |

- (21) Appl. No.: **29/698,237**
- (22) Filed: **Jul. 15, 2019**
- (51) **LOC (12) Cl.** ..... **14-03**
- (52) **U.S. Cl.**  
USPC ..... **D14/250; D3/249**
- (58) **Field of Classification Search**  
USPC .... D14/217, 238.1, 240, 248, 250, 251–253,  
D14/439, 440, 447; D13/107–108, 103,  
D13/119; D3/201, 218, 247, 269, 273,  
D3/301, 303, 249  
CPC ..... H04B 1/3888; H04M 1/0283; H04M  
1/0202; A45C 1/06; A45C 11/00; A45C  
13/02; A45C 2011/002; A45F 2005/026;  
A45F 2200/0525; A45F 2200/0516  
See application file for complete search history.

**OTHER PUBLICATIONS**

“Shieldon iPhone Xs Max Case, Genuine Leather iPhone Xs Max Wallet Case [ . . . ]” [online]. Shieldon. [Date first available on Aug. 8, 2019]. Retrieved from the Internet: <<https://www.amazon.com/dp/B07JW8JLWT/>>.\*

\* cited by examiner

*Primary Examiner* — Khawaja Anwar  
*Assistant Examiner* — Mojtaba Tehrani  
(74) *Attorney, Agent, or Firm* — W&K IP

(57) **CLAIM**

The ornamental design for a case for mobile phone, as shown and described.

**DESCRIPTION**

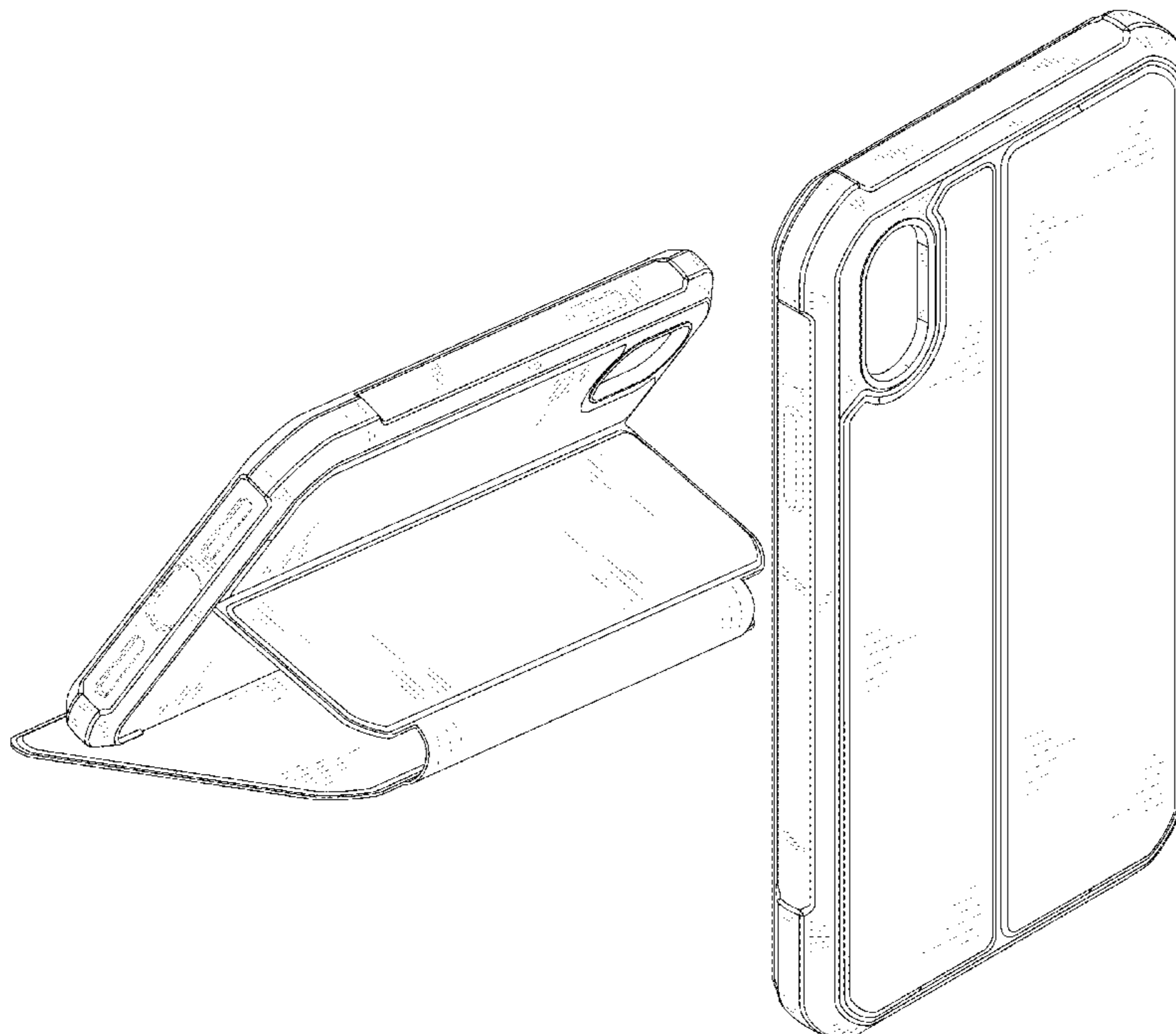
FIG. 1 is a perspective view of a case for mobile phone; FIG. 2 is another perspective view thereof; FIG. 3 is a front view thereof; FIG. 4 is a back view thereof; FIG. 5 is a left side view thereof; FIG. 6 is a right side view thereof; FIG. 7 is a top plan view thereof; and, FIG. 8 is a bottom plan view thereof. The portions of the article shown in broken lines form no part of the claimed design.

**1 Claim, 8 Drawing Sheets**

(56) **References Cited**

**U.S. PATENT DOCUMENTS**

|          |   |   |         |           |       |           |
|----------|---|---|---------|-----------|-------|-----------|
| D582,405 | S | * | 12/2008 | Andre     | ..... | D3/299    |
| D748,097 | S | * | 1/2016  | Feng      | ..... | D14/440   |
| D762,615 | S | * | 8/2016  | Kim       | ..... | D14/203.4 |
| D777,421 | S | * | 1/2017  | Grote     | ..... | D3/218    |
| D803,558 | S | * | 11/2017 | Liu       | ..... | D3/247    |
| D806,378 | S | * | 1/2018  | Lerenthal | ..... | D3/201    |
| D810,067 | S | * | 2/2018  | Lee       | ..... | D14/250   |
| D816,987 | S | * | 5/2018  | Grote     | ..... | D3/218    |
| D842,289 | S | * | 3/2019  | Feng      | ..... | D14/250   |
| D845,291 | S | * | 4/2019  | Rossi     | ..... | D14/250   |



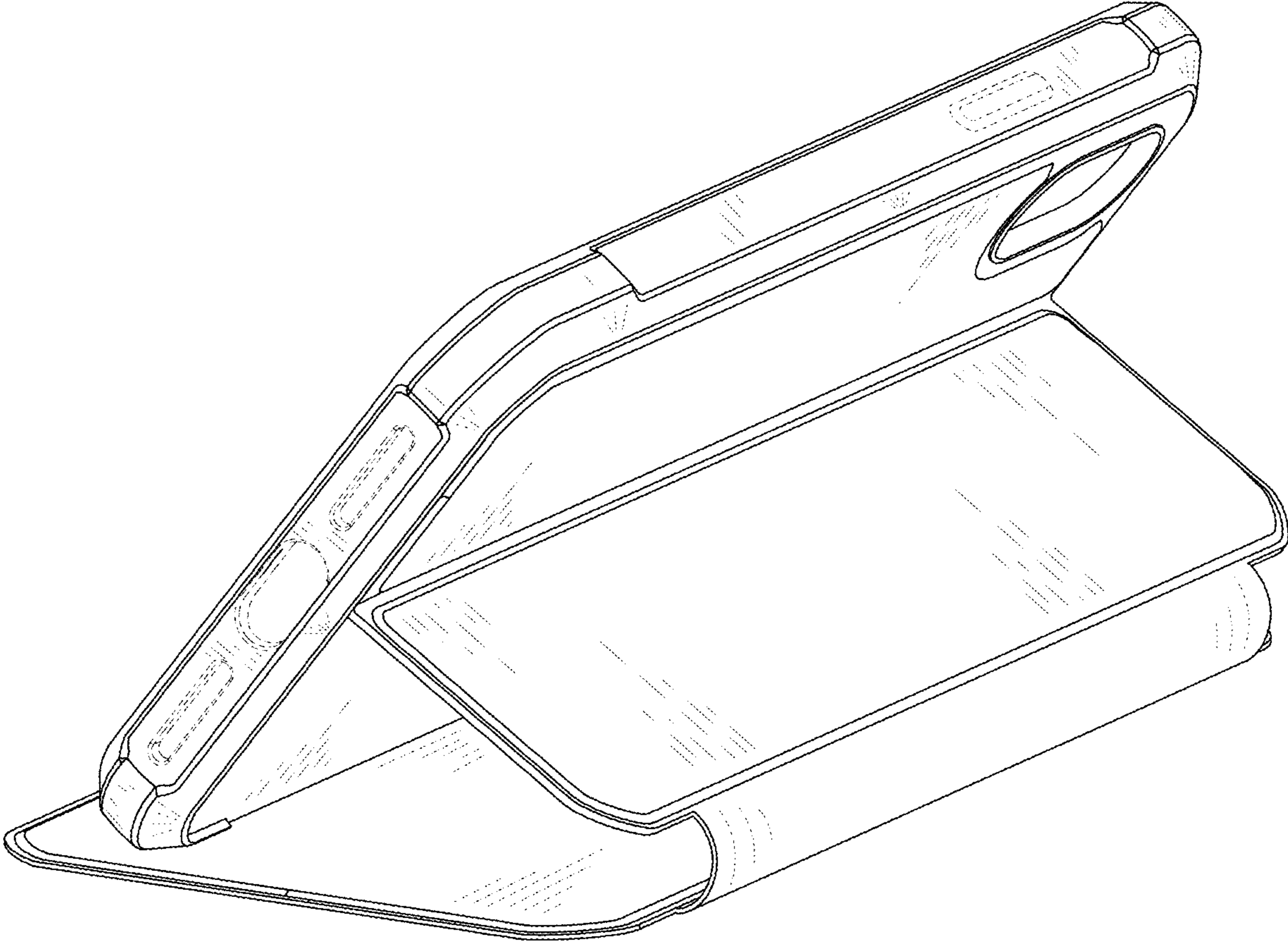


FIG.1

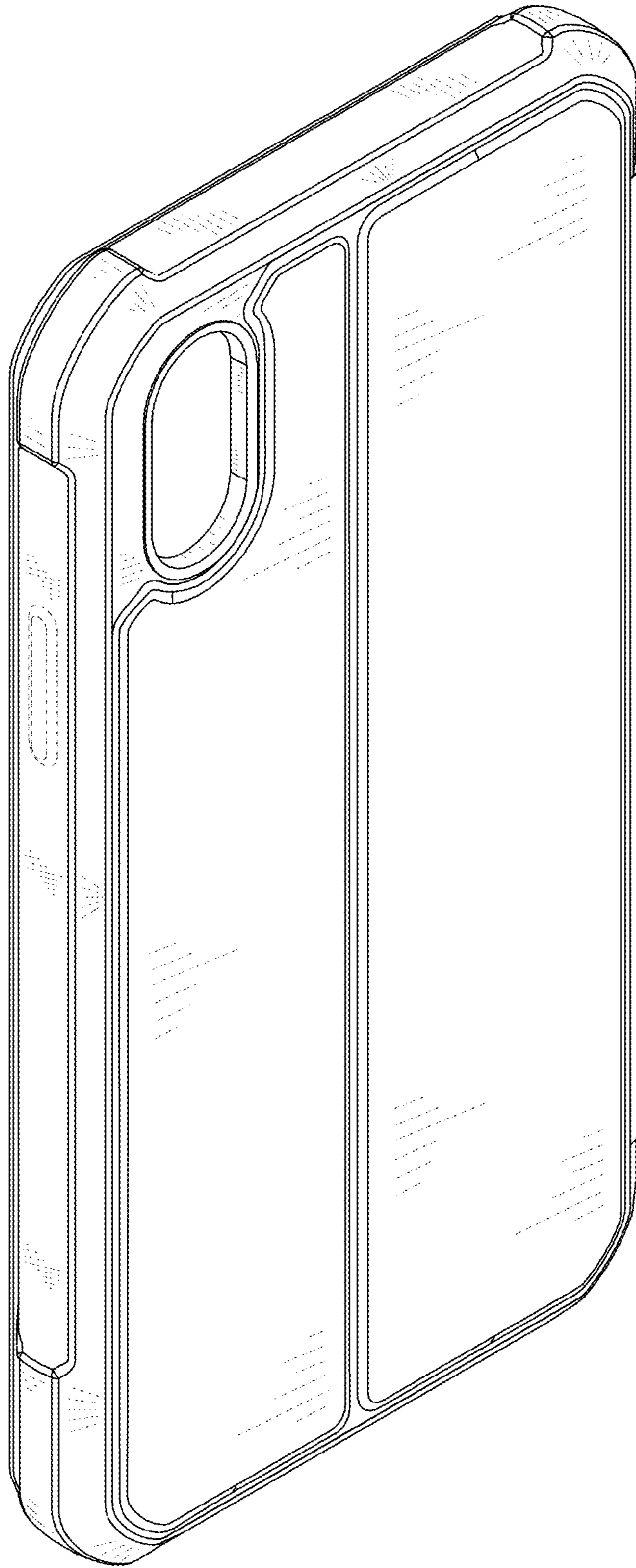


FIG. 2

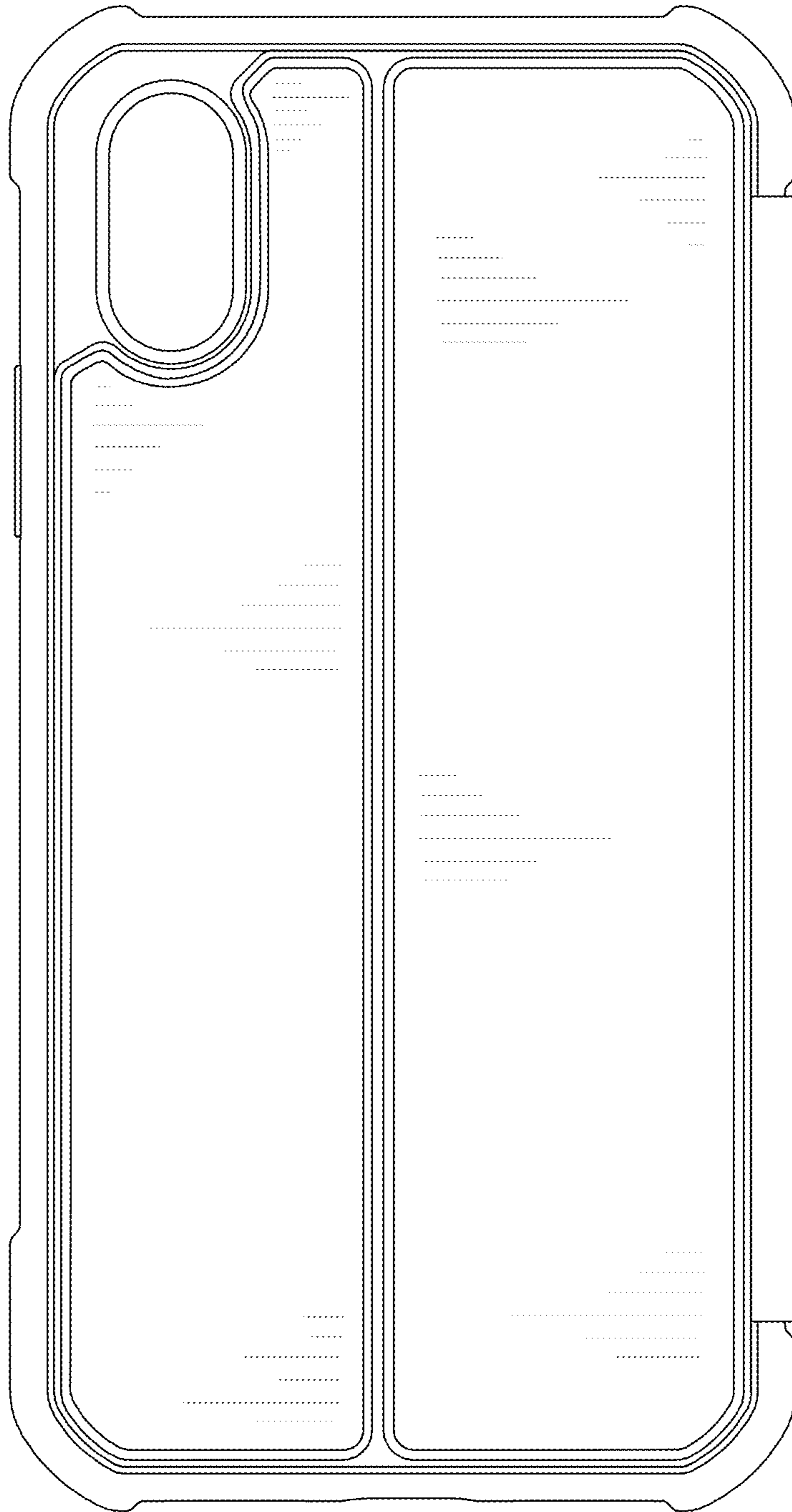


FIG. 3



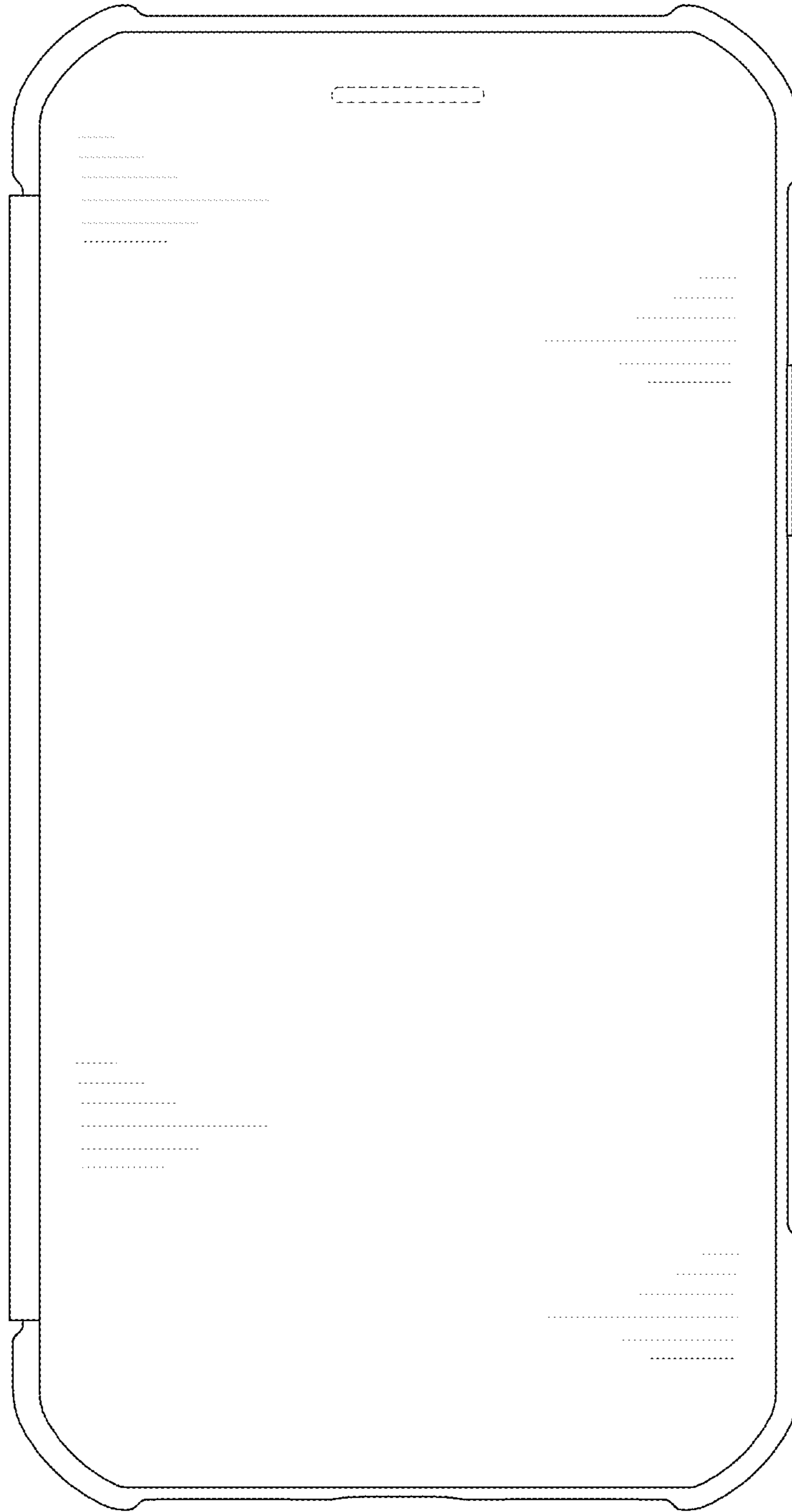


FIG. 4

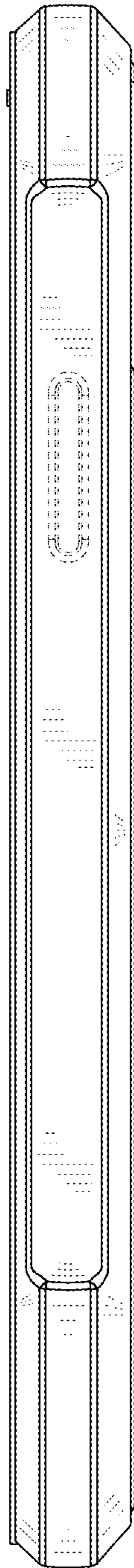


FIG. 5

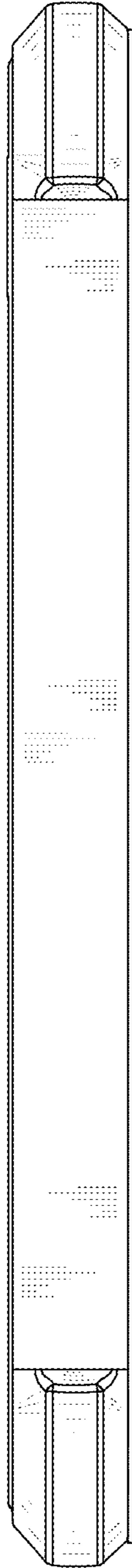


FIG. 6

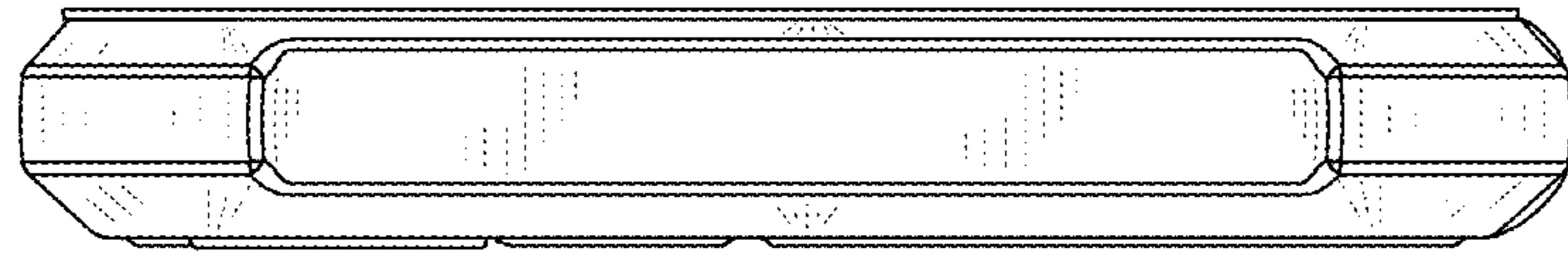


FIG. 7



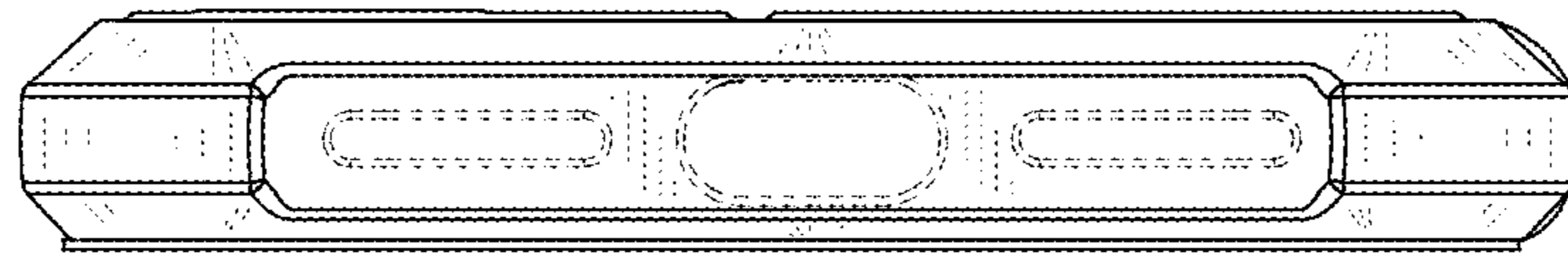


FIG. 8