



US00D900800S

(12) **United States Design Patent** (10) **Patent No.:** **US D900,800 S**  
**Sirju** (45) **Date of Patent:** **\*\* Nov. 3, 2020**

(54) **MOBILE DEVICE CARRYING CASE**  
(71) Applicant: **ESI Cases & Accessories**, New York, NY (US)  
(72) Inventor: **Michelle Sirju**, New York, NY (US)  
(73) Assignee: **ESI Cases & Accessories**, New York, NY (US)  
(\*\*) Term: **15 Years**  
(21) Appl. No.: **29/686,031**  
(22) Filed: **Apr. 2, 2019**  
(51) **LOC (12) Cl.** ..... **14-03**  
(52) **U.S. Cl.**  
USPC ..... **D14/250**; D3/249  
(58) **Field of Classification Search**  
USPC .... D14/217, 238.1, 240, 248, 250, 251–253, D14/439, 440, 447; D13/107–108, 103, D13/119; D3/201, 218, 247, 269, 273, D3/301, 303, 249  
CPC ..... H04B 1/3888; H04M 1/0283; H04M 1/0202; A45C 1/06; A45C 11/00; A45C 13/02; A45C 2011/002; A45F 2005/026; A45F 2200/0525; A45F 2200/0516  
See application file for complete search history.

(56) **References Cited**  
U.S. PATENT DOCUMENTS  
D729,522 S \* 5/2015 Kim ..... D3/303  
D738,620 S \* 9/2015 Schmole ..... D3/249  
D767,888 S \* 10/2016 Kim ..... D3/249  
D793,082 S \* 8/2017 Zhang ..... D3/249  
D794,952 S \* 8/2017 Feng ..... D3/247  
D803,558 S \* 11/2017 Liu ..... D3/247  
D804,815 S \* 12/2017 Chen ..... D3/247  
D806,378 S \* 1/2018 Lerenthal ..... D3/201  
D822,989 S \* 7/2018 Persson ..... D3/249  
D843,719 S \* 3/2019 Constance ..... D3/249  
D843,992 S \* 3/2019 Lu ..... D14/250

D844,596 S \* 4/2019 Liu ..... D14/250  
D856,671 S \* 8/2019 Li ..... D3/249  
D866,179 S \* 11/2019 Zhao ..... D3/249  
D871,066 S \* 12/2019 Feng ..... D3/249  
D872,722 S \* 1/2020 Zhou ..... D14/250  
D880,855 S \* 4/2020 Lu ..... D3/249  
D891,416 S \* 7/2020 Yu ..... D14/250

(Continued)

**OTHER PUBLICATIONS**

“Kihuwey iPhone X iPhone Xs Case Wallet with Credit Card Holder [ . . . ]” [online]. Kihuwey. [Date first available on Nov. 25, 2018]. Retrieved from the Internet: <<https://www.amazon.com/dp/B07KVLXHK5/>>.\*

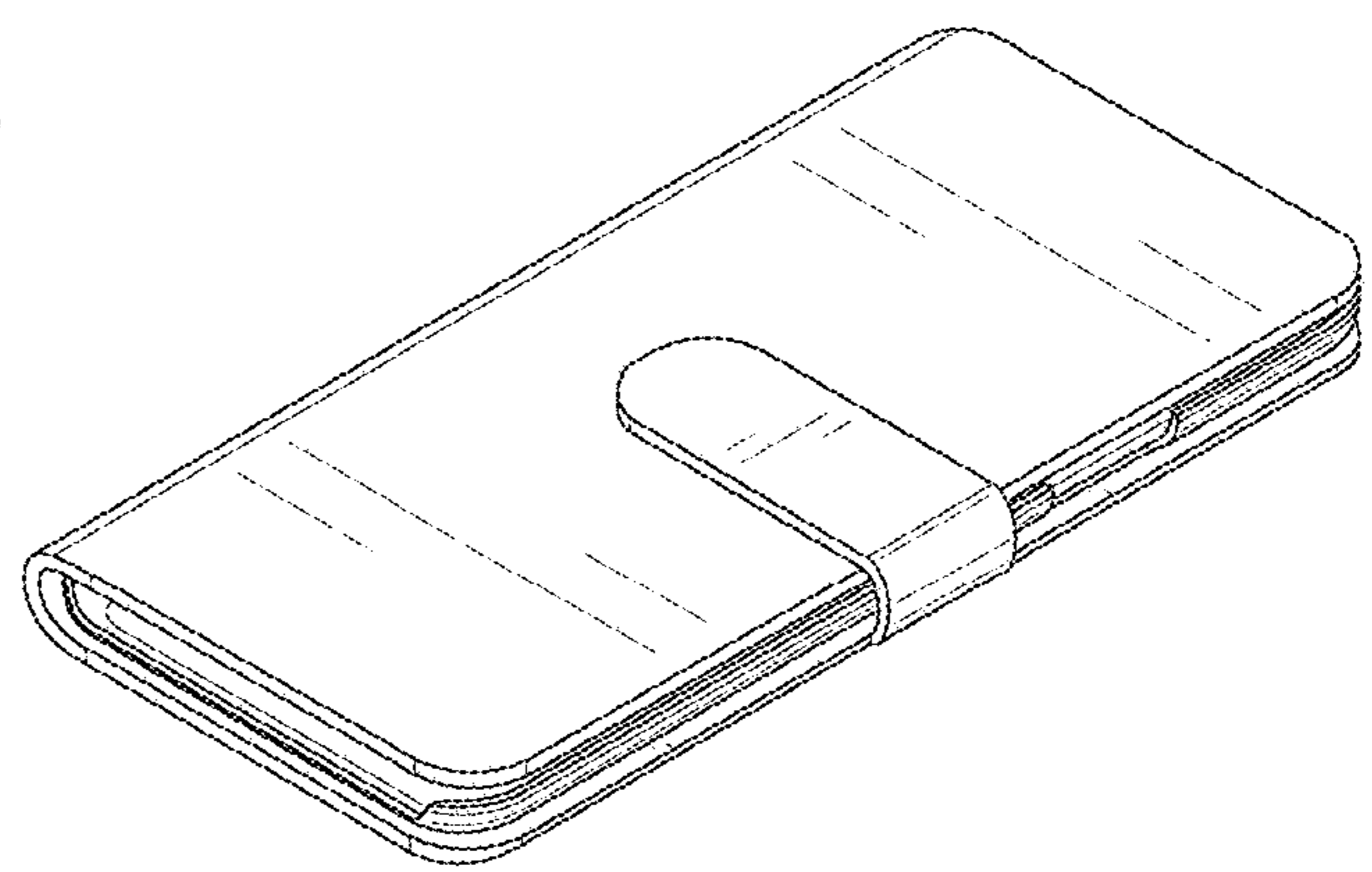
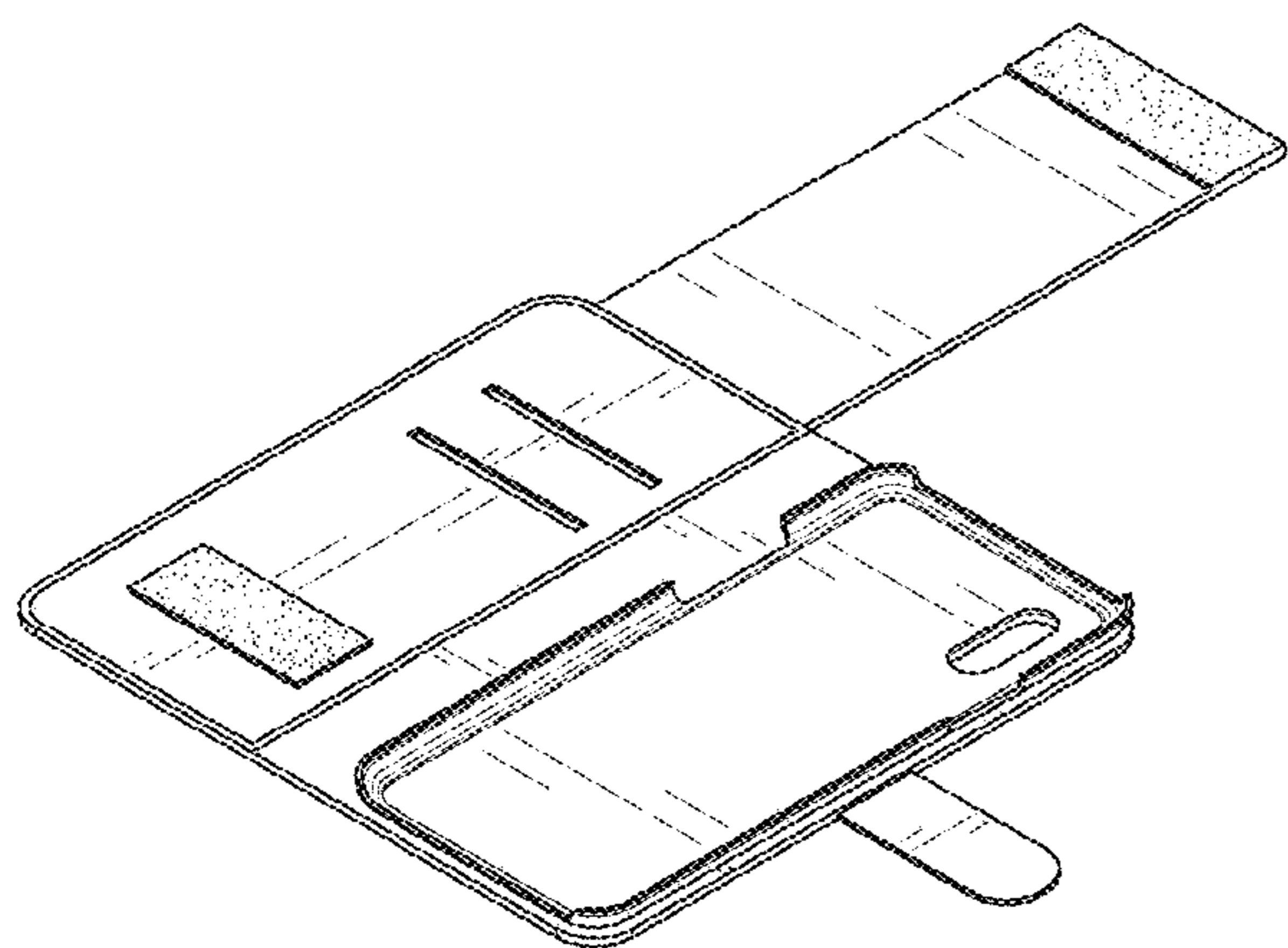
*Primary Examiner* — Khawaja Anwar  
*Assistant Examiner* — Mojtaba Tehrani  
(74) *Attorney, Agent, or Firm* — Amster, Rothstein & Ebenstein LLP

(57) **CLAIM**  
The ornamental design for a mobile device carrying case, as shown and described.

**DESCRIPTION**

FIG. 1 is a perspective view of a mobile device carrying case in an open first position with a flap thereof in an open position, showing my new design;  
FIG. 2 is a perspective view of the mobile device carrying case of FIG. 1 in a closed second position;  
FIG. 3 is a perspective view of the mobile device carrying case of FIG. 1 in an open third position with the flap thereof in a closed position;  
FIG. 4 is a front view of the mobile device carrying case of FIG. 1;  
FIG. 5 is a back view thereof;  
FIG. 6 is a left side view thereof;  
FIG. 7 is a right side view thereof;  
FIG. 8 is a top view thereof; and,  
FIG. 9 is a bottom view thereof.

**1 Claim, 9 Drawing Sheets**



(56)

**References Cited**

U.S. PATENT DOCUMENTS

D892,107 S \* 8/2020 Zhao ..... D14/250  
2003/0150756 A1\* 8/2003 Kajiya ..... A45C 13/02  
206/320  
2014/0262934 A1\* 9/2014 Fathollahi ..... A45C 11/182  
206/774

\* cited by examiner

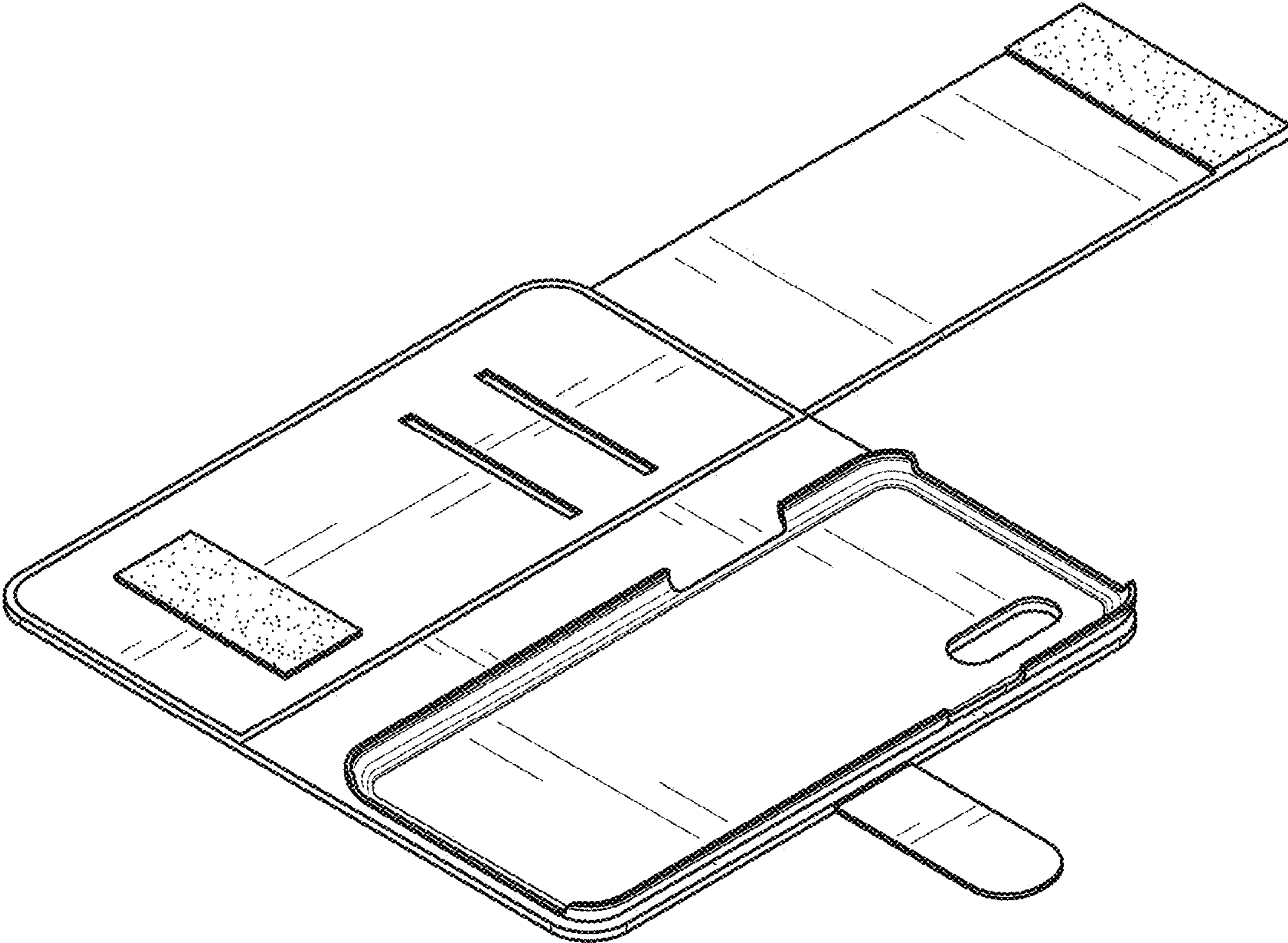


FIG. 1

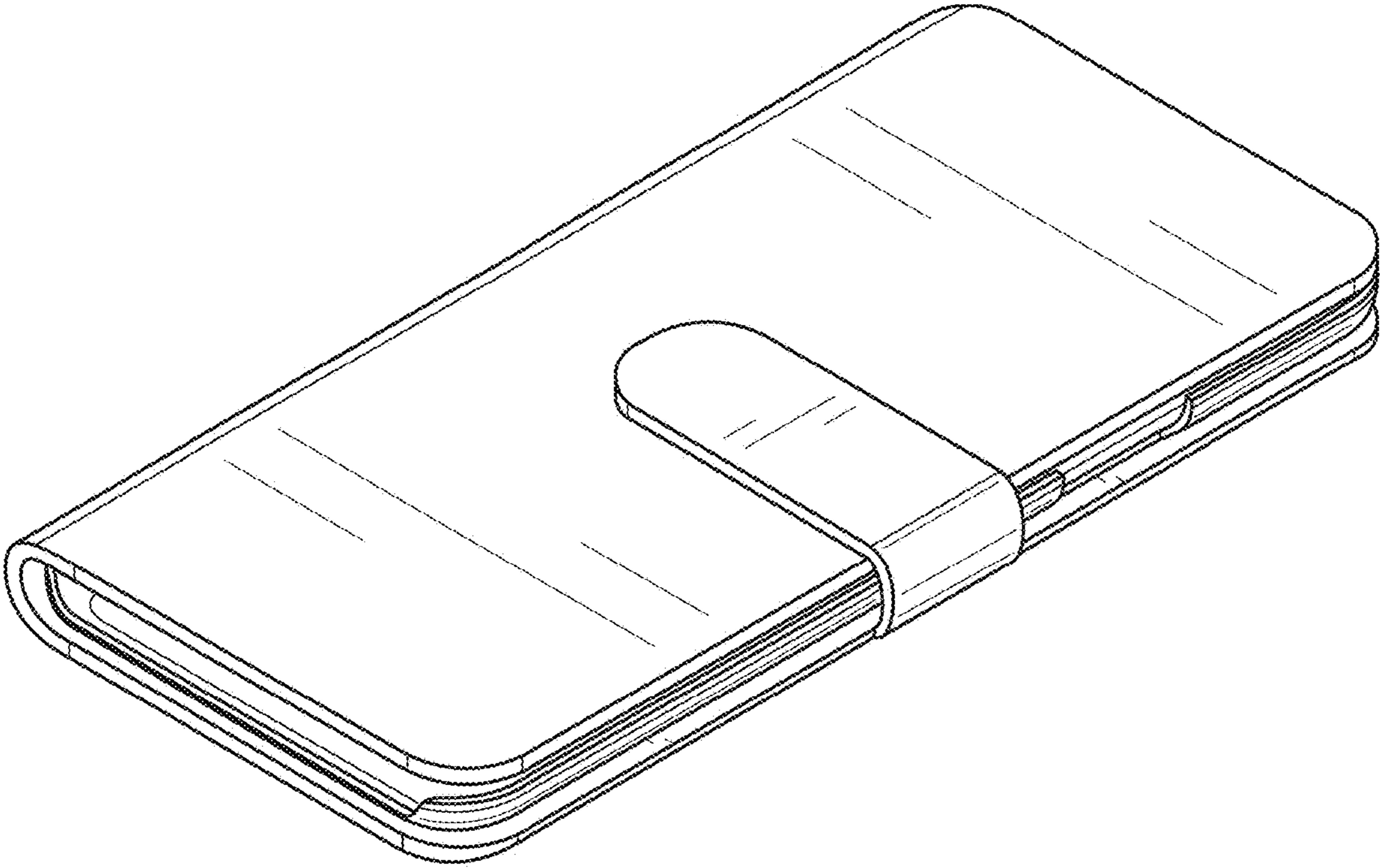


FIG. 2

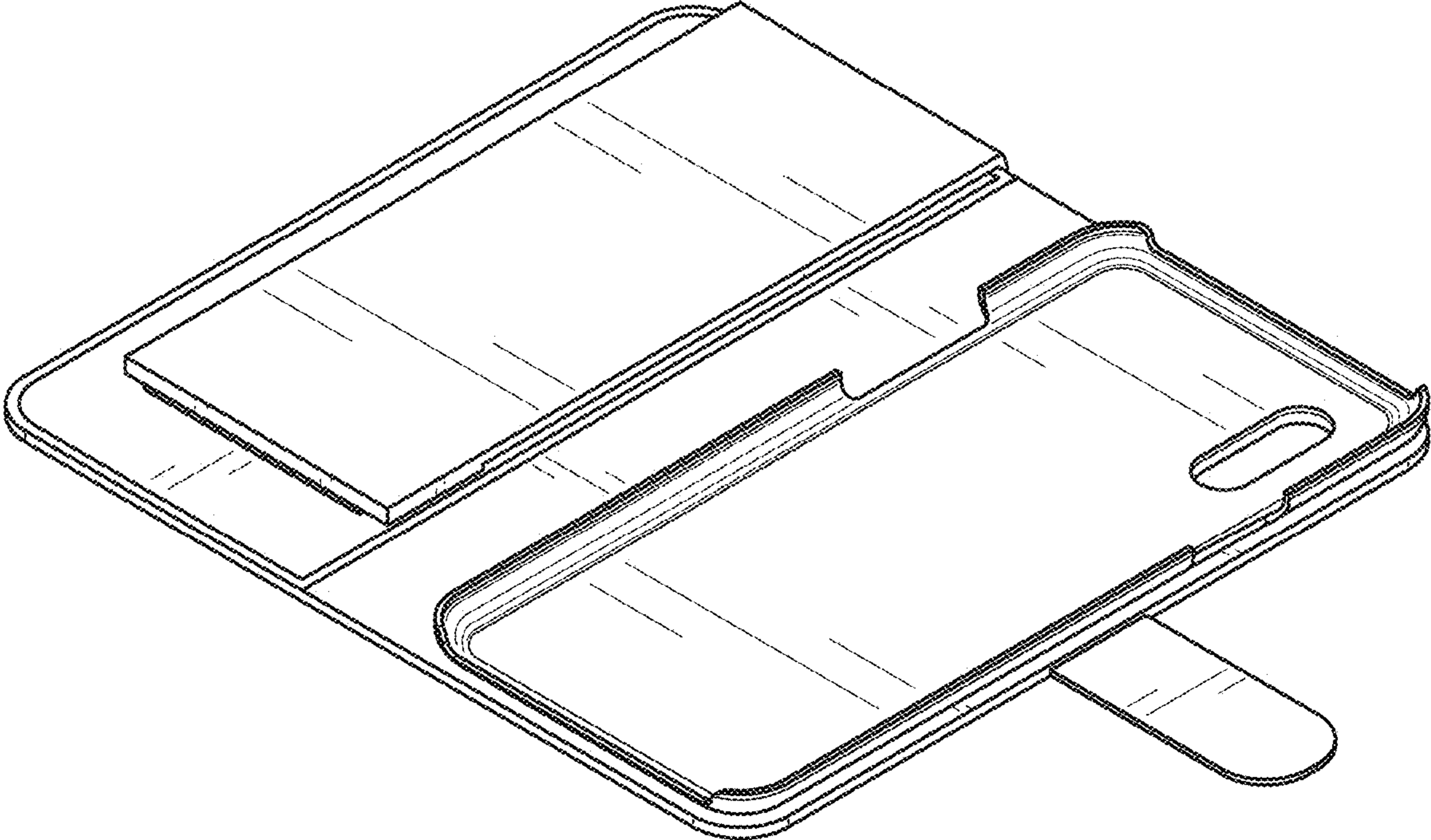


FIG. 3

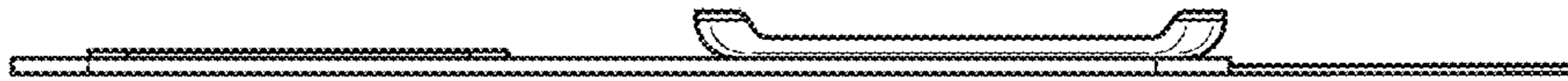


FIG. 4

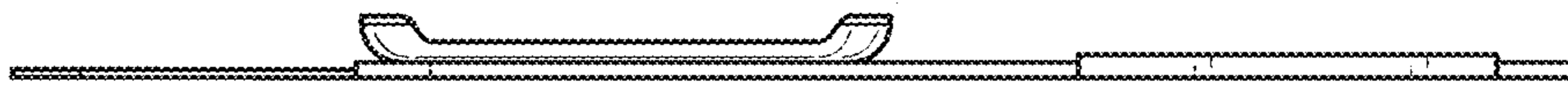


FIG. 5

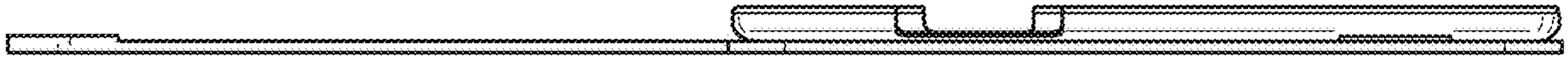


FIG. 6



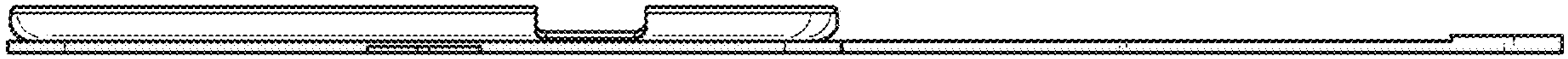


FIG. 7

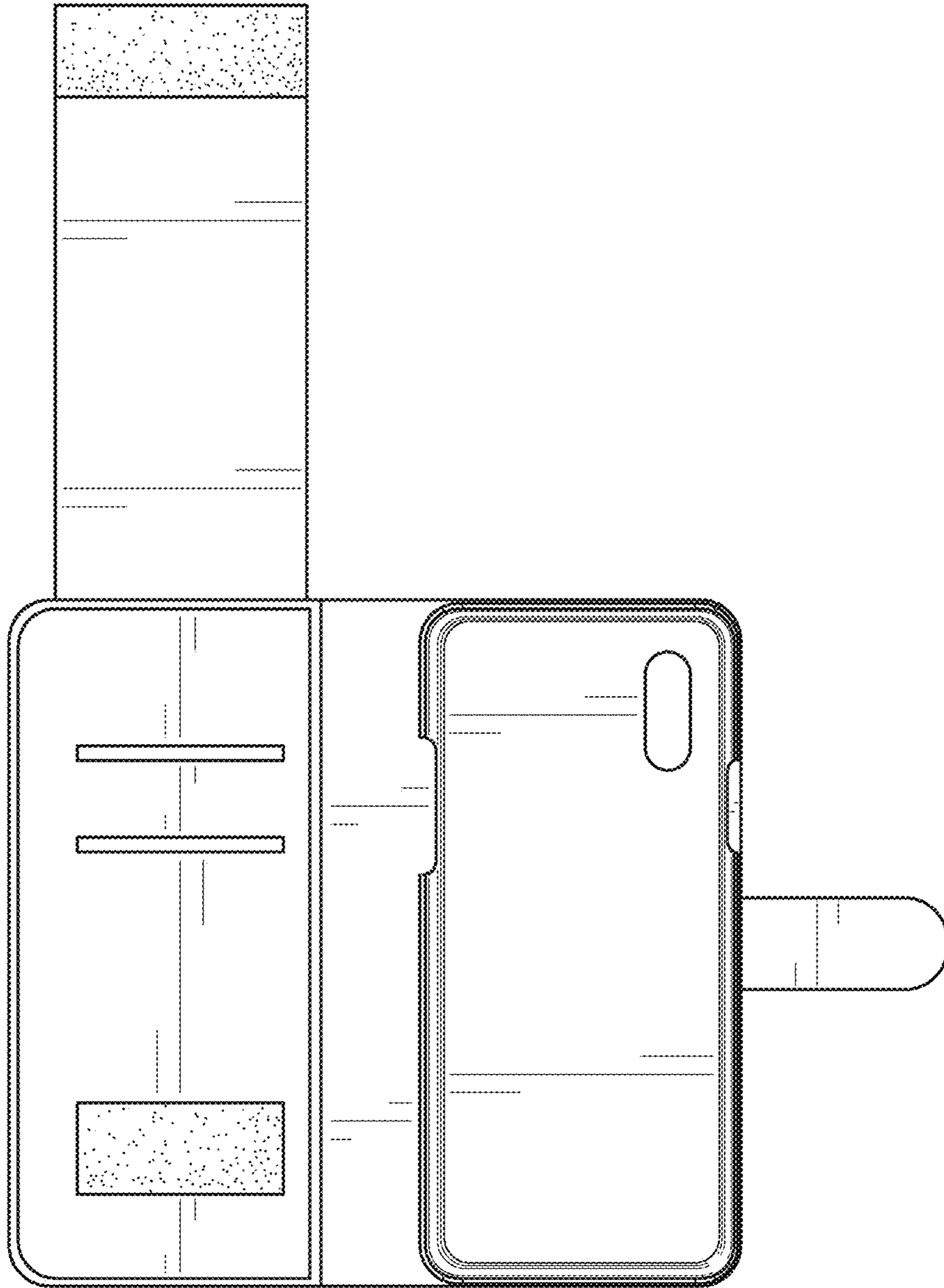


FIG. 8

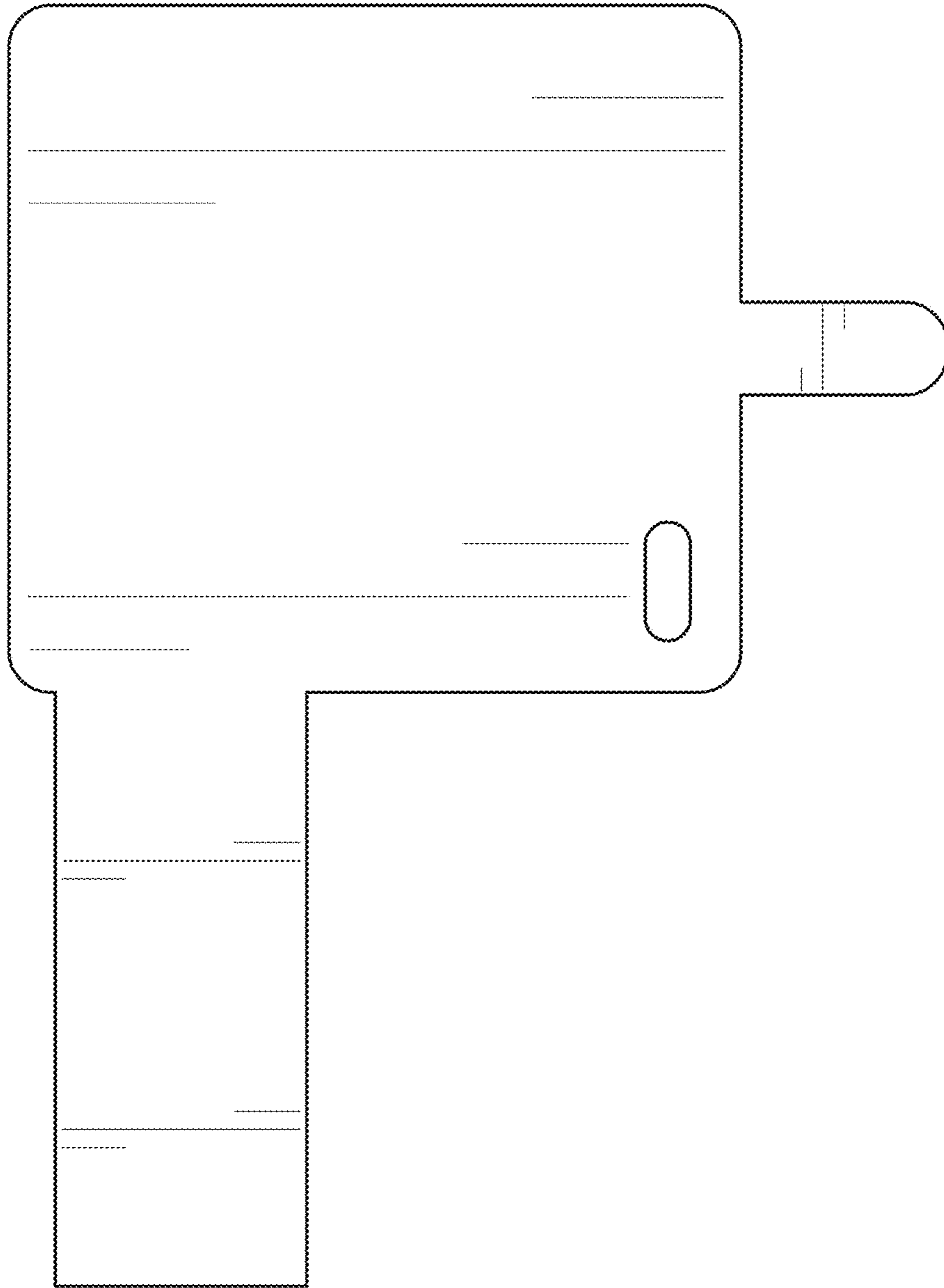


FIG. 9