



US00D900798S

(12) **United States Design Patent** (10) **Patent No.:** **US D900,798 S**
Song et al. (45) **Date of Patent:** **** *Nov. 3, 2020**

(54) **MOBILE PHONE**

(56)

References Cited

(71) Applicant: **Samsung Electronics Co., Ltd.**,
Suwon-si (KR)

U.S. PATENT DOCUMENTS

(72) Inventors: **Sanghoon Song**, Gumi-si (KR);
Youn-Gun Jung, Suwon-si (KR);
Yoonyoung Choi, Seoul (KR);
Junyoung Lee, Seoul (KR)

D696,655 S	12/2013	Lee
D701,192 S	3/2014	Park
D706,234 S	6/2014	Park
D706,738 S	6/2014	Kim
D715,246 S	10/2014	Oh
D725,065 S	3/2015	Chung
D726,673 S	4/2015	Lee
D730,881 S	6/2015	Lee
D731,481 S	6/2015	Akana
D732,498 S	6/2015	Huang
D733,693 S	7/2015	Wang
D739,391 S	9/2015	Chen
D741,279 S	10/2015	Tai
D742,351 S	11/2015	Chen
D743,366 S	11/2015	Ryu
D744,973 S	12/2015	Lee
D746,245 S	12/2015	Ryu
D750,588 S	3/2016	Kim
D755,151 S	5/2016	Kim
D775,600 S	1/2017	Kim
D776,075 S	1/2017	Kim
D780,748 S	3/2017	Wang
D781,807 S	3/2017	Hubbard
D782,456 S	3/2017	Park
D782,457 S	3/2017	Park
D783,557 S	4/2017	Lee
D783,561 S	4/2017	Lee
D783,567 S	4/2017	Park
D783,586 S	4/2017	Park
D783,602 S	4/2017	Akana
D786,848 S	5/2017	Park
D787,727 S	6/2017	Kuo
D794,595 S	8/2017	Lee
D797,088 S	9/2017	Lee
D797,723 S	9/2017	Lee
D798,853 S	10/2017	Park
D801,297 S	10/2017	Song
D801,322 S	10/2017	Song
D801,959 S	11/2017	Kuo
D803,822 S	11/2017	Lee
D810,727 S	2/2018	Song
D812,585 S	3/2018	Song
D813,186 S	3/2018	Lee
D815,056 S	4/2018	Song
D816,055 S	4/2018	Song
D816,649 S	5/2018	Song
D817,912 S	5/2018	Choi
D818,462 S	5/2018	Choi
D819,019 S	5/2018	Zhang

(73) Assignee: **SAMSUNG ELECTRONICS CO., LTD.**, Suwon-si (KR)

(*) Notice: This patent is subject to a terminal disclaimer.

(**) Term: **15 Years**

(21) Appl. No.: **29/701,431**

(22) Filed: **Aug. 12, 2019**

Related U.S. Application Data

(63) Continuation of application No. 29/659,838, filed on Aug. 13, 2018, now Pat. No. Des. 860,178, which is a continuation of application No. 29/597,810, filed on Mar. 20, 2017, now abandoned.

(30) **Foreign Application Priority Data**

Nov. 28, 2016 (KR) 30-2016-0057372

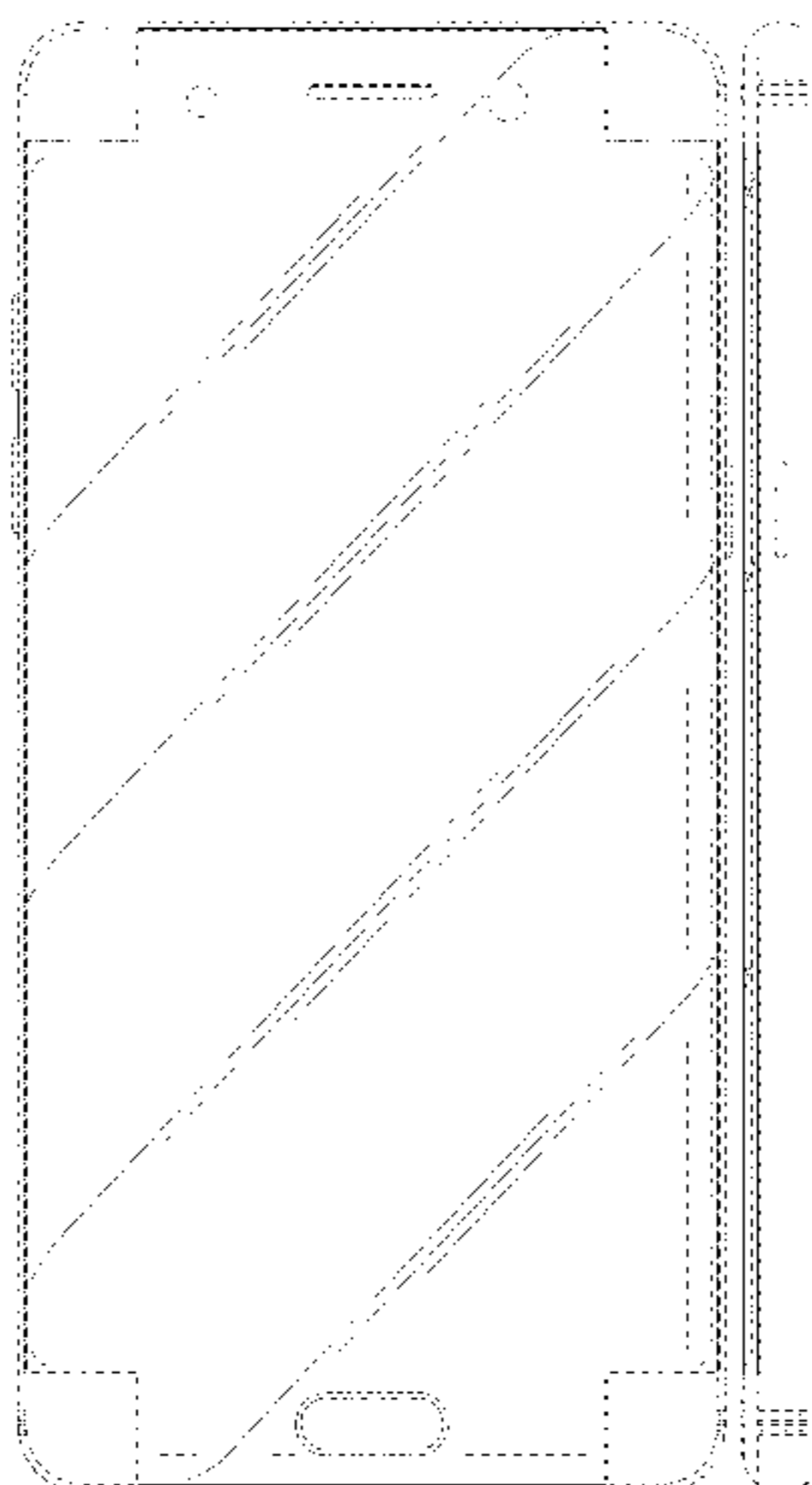
(51) **LOC (12) Cl.** **14-03**

(52) **U.S. Cl.**
USPC **D14/248**

(58) **Field of Classification Search**

USPC D14/126, 137, 138 AA, 138 C, 138 G,
D14/203.7, 230, 248, 250, 341, 420;
D10/50, 65, 98, 104.1; D6/300, 308, 310
CPC G06F 1/1626; G06F 1/1652; H04M 1/027;
H04M 1/0202; H04M 1/0279; H04M
1/0235; H04M 1/0237; H04M 1/0239;
H04M 1/0266; H04M 1/0268; H04M
1/0295; H01Q 1/241; H01Q 1/243

See application file for complete search history.



US D900,798 S

D820,800	S	6/2018	Song	
D821,348	S	6/2018	Song	
D828,820	S	9/2018	Song	
D830,351	S *	10/2018	Zhang	D14/248
D831,006	S *	10/2018	Gong	D14/230
D831,605	S	10/2018	Baik	
D833,407	S	11/2018	Kim	
D836,094	S	12/2018	Park	
D837,177	S	1/2019	Cui	
D837,189	S	1/2019	Cui	
D837,190	S	1/2019	Mahonen	
D837,191	S	1/2019	Mahonen	
D839,231	S	1/2019	Zhang	
D839,848	S	2/2019	Baik	
D840,383	S	2/2019	Ryu	
D840,962	S	2/2019	Song	
D840,963	S	2/2019	Song	
D840,964	S	2/2019	Song	
D846,541	S *	4/2019	Zhang	D14/248
D851,076	S *	6/2019	Mu	D14/248
D853,980	S *	7/2019	Kim	D14/138 G
D856,294	S *	8/2019	Cho	D14/138 G
D859,345	S *	9/2019	Seo	D14/138 G
D860,151	S *	9/2019	Cho	D14/138 G
D860,178	S *	9/2019	Song	D14/248
10,412,205	B2 *	9/2019	Cheng	H04M 1/0264
D867,314	S *	11/2019	Mahonen	D14/138 G
D868,762	S *	12/2019	Song	D14/248
D870,104	S *	12/2019	Zhang	D14/341
D872,041	S *	1/2020	Seo	D14/138 G
D872,042	S *	1/2020	Seo	D14/138 G
D872,043	S *	1/2020	Seo	D14/138 G
D872,045	S *	1/2020	Cho	D14/138 G
D872,703	S *	1/2020	Seo	D14/138 G
D873,230	S *	1/2020	Seo	D14/138 G
D874,419	S *	2/2020	Cho	D14/138 G
D875,061	S *	2/2020	Cho	D14/138 G
2014/0284096	A1	9/2014	Wu	
2016/0224075	A1	8/2016	Chen	
2016/0324025	A1	11/2016	Bustle	
2017/0077597	A1	3/2017	Gong	
2017/0133746	A1	5/2017	Hahn	
2017/0149940	A1	5/2017	Moon	
2018/0098448	A1	4/2018	Baek	
2018/0164850	A1	6/2018	Sim	
2018/0196560	A1	7/2018	Cheng	
2018/0198897	A1 *	7/2018	Tang	H04M 1/0264
2018/0241857	A1 *	8/2018	Wang	H01Q 7/00
2018/0242242	A1	8/2018	Lee	
2018/0324287	A1 *	11/2018	Zhou	H04M 1/0264
2019/0027813	A1	1/2019	Wang	
2019/0037063	A1	1/2019	Zeng	
2019/0094920	A1	3/2019	Qiu	

FOREIGN PATENT DOCUMENTS

CN	303377597	S	9/2015
CN	303596762	S	2/2016
CN	303596806	S	2/2016
CN	303596840	S	2/2016
CN	303605455	S	3/2016
CN	303640755	S	4/2016
CN	303648031	S	4/2016
CN	303676908	S	5/2016
CN	303676965	S	5/2016
CN	303816127	S	8/2016
CN	303959422	S	12/2016
CN	304030450		2/2017
CN	304151221		5/2017
CN	304345082		11/2017
CN	304444285		1/2018
CN	304559705		3/2018
CN	304683549		6/2018
EM	002572198-0001		2/2015
EM	002572198-0003		2/2015
EM	002572198-0005		2/2015
EM	002572198-0010		2/2015
EM	002572198-0017		2/2015
EM	001443451-0002		1/2016

JP	D1495684	4/2014
JP	D1495685	4/2014
KR	30-0725377	1/2014
KR	30-0770820	11/2014
KR	30-0822984	11/2015
KR	30-0840028	2/2016
KR	30-0840029	2/2016
KR	30-0863665-0002	7/2016
KR	30-0866165	7/2016
KR	3009171990000	* 8/2017

OTHER PUBLICATIONS

Samsung Galaxy C7 (2018) with 4GB RAM, Joseph Whitwam, Jan. 29, 2018, [online], [site visited Sep. 28, 2018]. Retrieved from url: <https://www.gnradar.com/samsung-galaxy-c7-2018-2823/> (Year: 2018).*

Unknown, "Asus Pegasus 3: Metal budget phone", published Jun. 16, 2016 on the Internet at [gsmchoice.co.uk: <http://www.gsmchoice.co.uk/en/news/4666/asus-Pegasus-3:-Metal-budget-phone.html>](http://www.gsmchoice.co.uk/en/news/4666/asus-Pegasus-3:-Metal-budget-phone.html) (Last accessed Apr. 12, 2017).

Unknown, "Panasonic Eluga Mark for Indian business", published Dec. 3, 2015 on the internet at [gsmchoice.co.uk: <http://www.gsmchoice.co.uk/en/news/4389/Panasonic-Eluga-Mark-for-Indian-business.html>](http://www.gsmchoice.co.uk/en/news/4389/Panasonic-Eluga-Mark-for-Indian-business.html) (last accessed Apr. 12, 2017).

Unknown, "iPhone 6s 32GB Space Grey", published on the Internet at [telstra.com: <https://www.telstra.com.au/mobile-phones/mobiles-on-a-plan/iphone/iphone-6s#>](https://www.telstra.com.au/mobile-phones/mobiles-on-a-plan/iphone/iphone-6s#) (Last accessed Apr. 12, 2017).

Unknown, "iPhone 7 Launched Sep. 16, available for purchase now", published on the Internet at [macrumors.com: <https://www.macrumors.com/roundup/iphone-7/>](https://www.macrumors.com/roundup/iphone-7/) (Last accessed Apr. 12, 2017).

Unknown, "LeEco Le Pro3 Ecophone", published on the internet at [leeco.com: <http://www.leeco.com/us/phone/leeco_le_pro3/>](http://www.leeco.com/us/phone/leeco_le_pro3/) (Last accessed Apr. 12, 2017).

Apple iPhone 7, Sep. 2016, [online], [site visited Aug. 13, 2018], Retrieved from url: http://www.gsmarena.com/apple_iphone_7-pictures-8064.php.

HTC One X10, no date available, [online], [site visited Aug. 13, 2018], Retrieved from url: http://www.gsmarena.com/htc_one_x10-pictures-8487.php.

Just in Oppo R9s hands-on, GSMarena, Nov. 25, 2016, [online], [site visited Aug. 13, 2018], Retrieved from url: https://www.gsmarena.com/oppo_r9s_handson_a_handsome_cameraman-blog-21846.php.

Oppo R9s Unboxing and Hands On, Nov. 26, 2016, [online], [site visited Aug. 13, 2018], Retrieved from url: <https://www.youtube.com/watch?v=GTaS8PY5v2U>.

Samsung Galaxy C7, Jun. 2016, [online], [site visited Aug. 13, 2018], Retrieved from url: http://www.gsmarena.com/samsung_galaxy_c7-pictures-8046.php.

Samsung Galaxy C9 Pro officially unveiled as the manufacturer's first phone with 6GB of RAM, Oct. 21, 2016, [online], [site visited Aug. 13, 2018], Retrieved from url: https://www.phonearena.com/news/Samsung-Galaxy-C9-Pro-officially-unveiled-as-the-manufacturers-first-phone-with-6GB-of-RAM_id86873.

Samsung Galaxy C10 Gets Finalized Render, Looks Legit, Concept Phones, Jun. 17, 2017, [online], [site visited Aug. 13, 2018], Retrieved from url: <https://www.concept-phones.com/samsung/samsung-galaxy-c10-finalized-render-legit-video/>.

Samsung Galaxy Note7, Aug. 2016, [online], [site visited Aug. 13, 2018], Retrieved from url: [https://www.gsmarena.com/samsung_galaxy_note7_\(usa\)-pictures-8242.php](https://www.gsmarena.com/samsung_galaxy_note7_(usa)-pictures-8242.php).

Samsung Galaxy S7 edge, Feb. 2016, [online], [site visited Aug. 13, 2018], Retrieved from url: http://www.gsmarena.com/samsung_galaxy_s7_edge-pictures-7945.php.

Samsung Galaxy S8, Apr. 2017, [online], [site visited Jun. 23, 2017]. Retrieved from url: http://www.gsmarena.com/samsung_galaxy_s8-pictures-8161.php.

Xiaomi Mi Note 2, Nov. 2016, [online], [site visited Aug. 13, 2018], Retrieved from url: http://www.gsmarena.com/xiaomi_mi_note_2-pictures-8014.php.

Samsung Galaxy C7, Oct. 2017, [online], [site visited Aug. 13, 2018], Retrieved from url: [https://www.gsmarena.com/samsung_galaxy_c7_\(2017\)-pictures-8789.php](https://www.gsmarena.com/samsung_galaxy_c7_(2017)-pictures-8789.php).

Sharp Pi, available as early as May 03, 2018, [online], [site visited May 14, 2018], Retrieved from url:https://www.gsmarena.com/sharp_pi-pictures-9060.php (Year: 2018).
Samsung Galaxy C5, Jun. 2016, [online], [site visited May 14, 2018], Retrieved from url:https://www.gsmarena.com/samsung-galaxy_c5-pictures-8047.php (Year: 2016).
Samsung Galaxy C7 (2017), Oct. 2017, [online], [site visited May 14, 2018], Retrieved from url:[https://www.gsmarena.com/samsung-galaxy_c7_\(2017\)-pictures-8789.php](https://www.gsmarena.com/samsung-galaxy_c7_(2017)-pictures-8789.php) (Year: 2017).
Oppo F3 Plus, Apr. 2017, [online], [site visited May 14, 2018], Retrieved from url:https://www.gsmarena.com/oppo_f3_plus-pictures-8613.php (Year: 2017).
Oppo R9S and R9S Plus has just launched in China—here's what it looks like, Alex Wee, Aug. 1, 2019 [online], [site visited Sep. 13, 2018]. Retrieved from url:<https://en.zinggadjet.com/oppo-r9s-and-r9s-plus-has-just-launched-in-china-hieres-what-it-looks-like/> (Year: 2016).
Samsung Galaxy C7 (2018) with 4GB RAM, Joseph Whitman, Jan. 29, 2018, [online], [site visited Aug. 1, 2019]. Retrieved from url:<https://www.gnradar.com/samsung-galaxy-c7-2018-2823/> (Year: 2018).

* cited by examiner

Primary Examiner — Michelle E. Wilson
Assistant Examiner — Tracey J Bell
(74) *Attorney, Agent, or Firm* — McAndrews Held & Malloy, Ltd.

(57) **CLAIM**

The ornamental design for a mobile phone, as shown and described.

DESCRIPTION

FIG. 1 is a front perspective view of a mobile phone showing our new design;

FIG. 2 is a front elevation view thereof;
FIG. 3 is a rear elevation view thereof;
FIG. 4 is a left side elevation view thereof;
FIG. 5 is a right side elevation view thereof;
FIG. 6 is a top plan view thereof;
FIG. 7 is a bottom plan view thereof;
FIG. 8 is a rear perspective view thereof;
FIG. 9 is an enlarged view of portion 9 encircled in FIG. 8;
FIG. 10 is an enlarged view of portion 10 encircled in FIG. 8;
FIG. 11 is an enlarged view of portion 11 encircled in FIG. 8; and,
FIG. 12 is an enlarged view of portion 12 encircled in FIG. 8.

The dot-dash broken lines in the figures and the evenly spaced broken lines that are immediately adjacent to the shaded areas and define unshaded regions, represent the bounds of the claim. The dot-dot-dash broken lines in the drawings encircle portions of the claimed design that are illustrated in enlargements. All other broken lines, including the features within broken line boundaries, the broken lines on the front surface to the right and left of the speaker, and the broken lines showing the display, are directed to environment.

The broken lines form no part of the claimed design.

1 Claim, 10 Drawing Sheets

FIG. 1

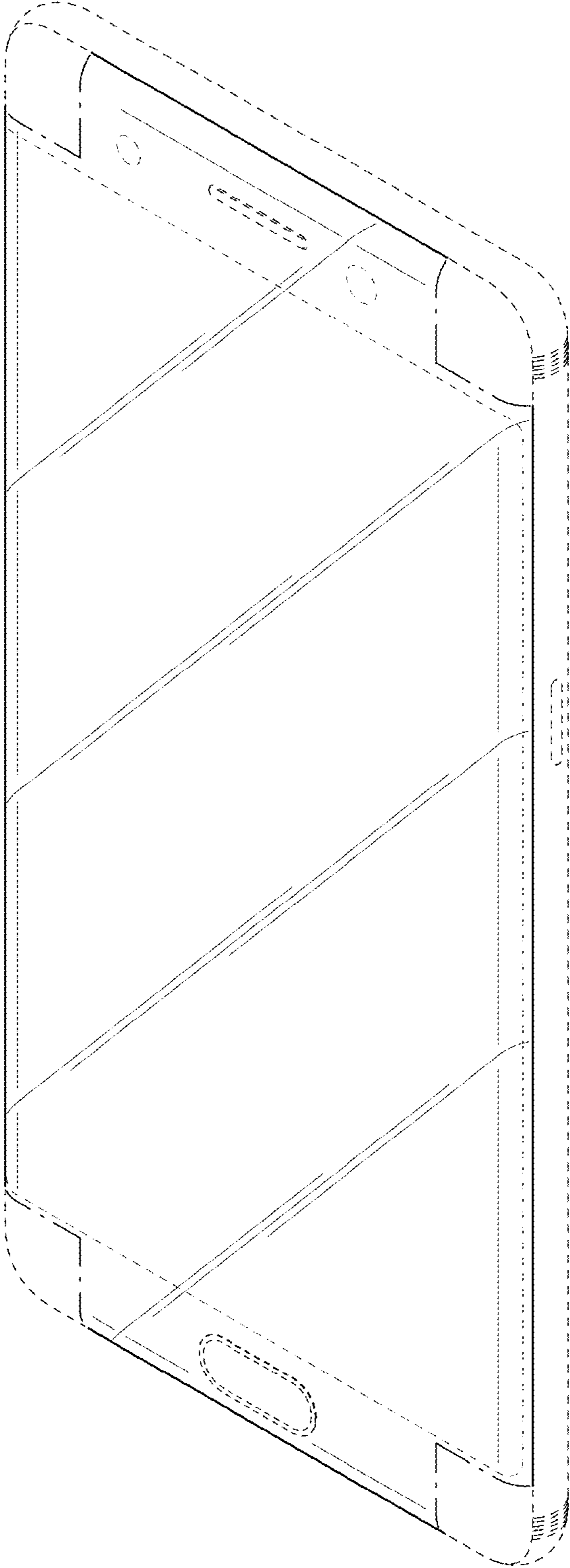


FIG. 2

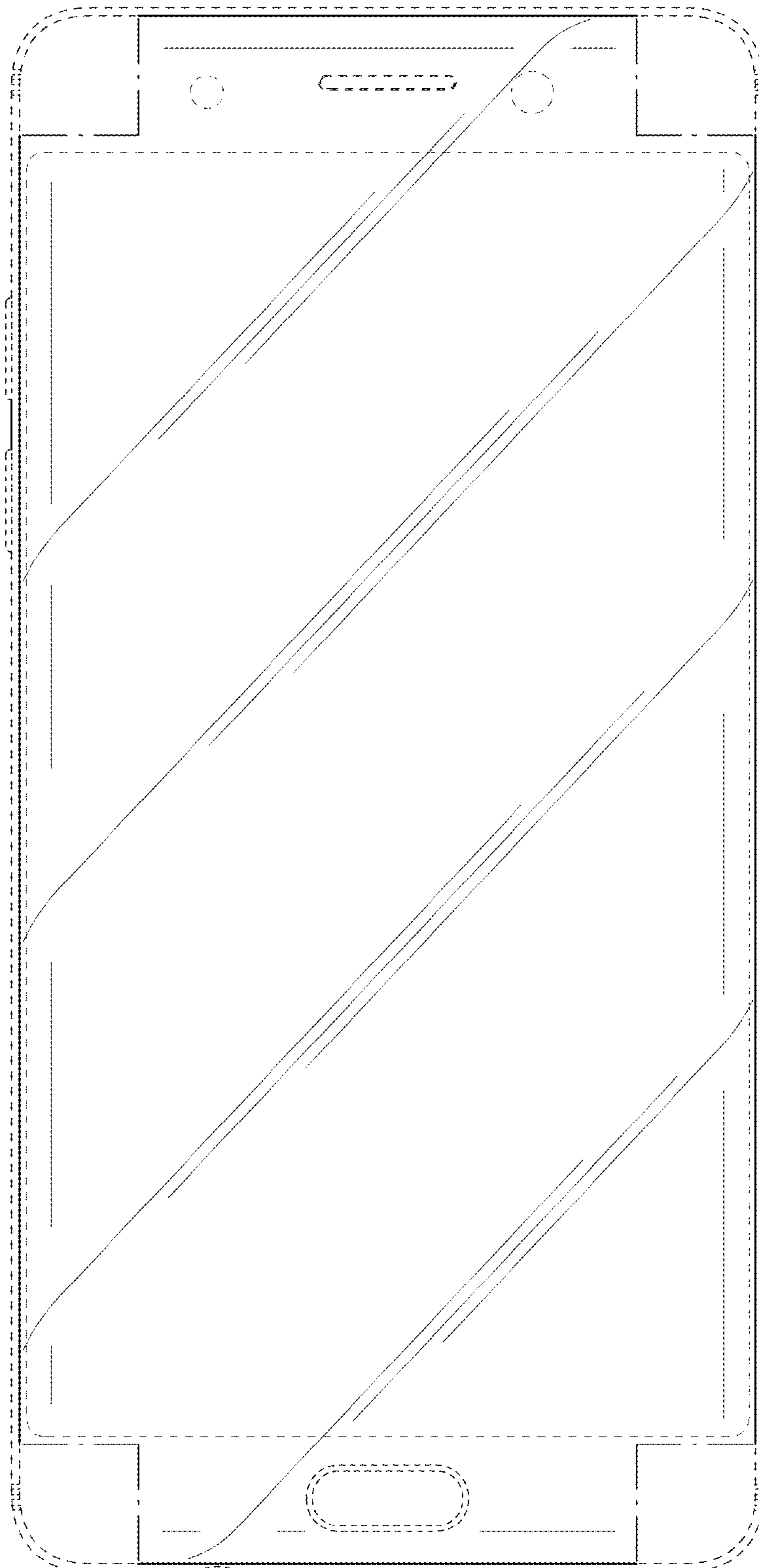


FIG. 3

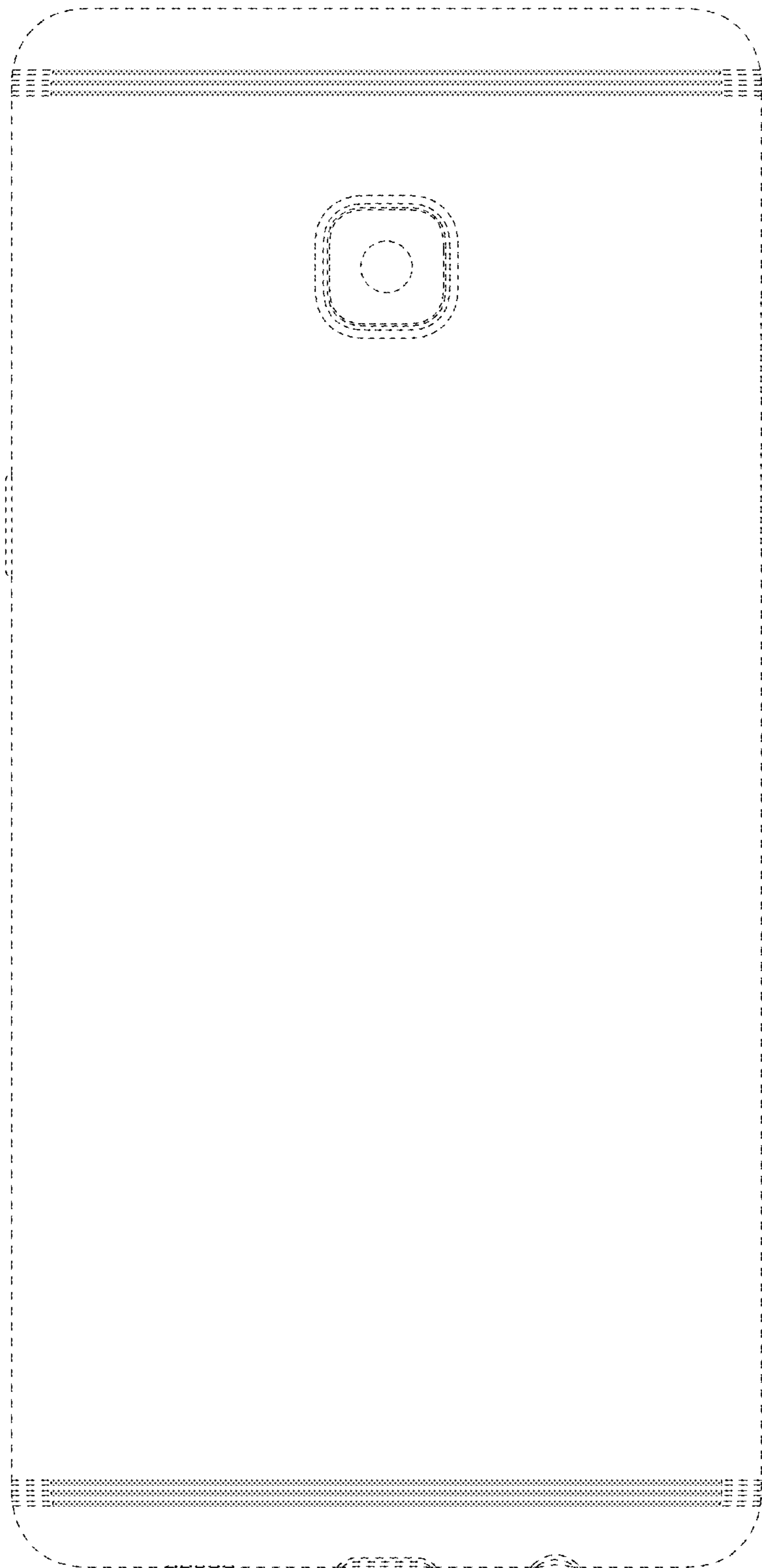


FIG. 4

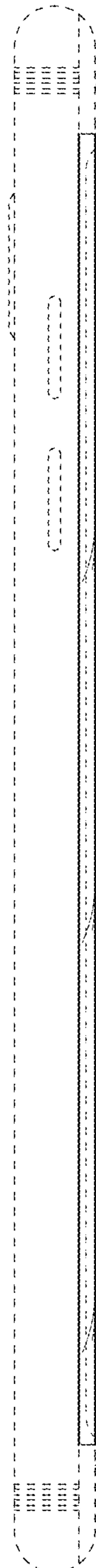


FIG. 5

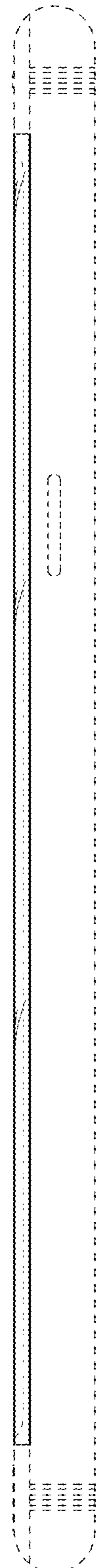


FIG. 6



FIG. 7

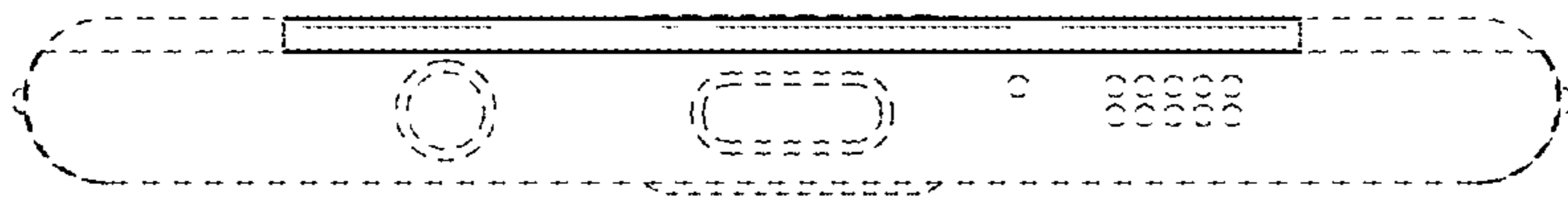


FIG. 8

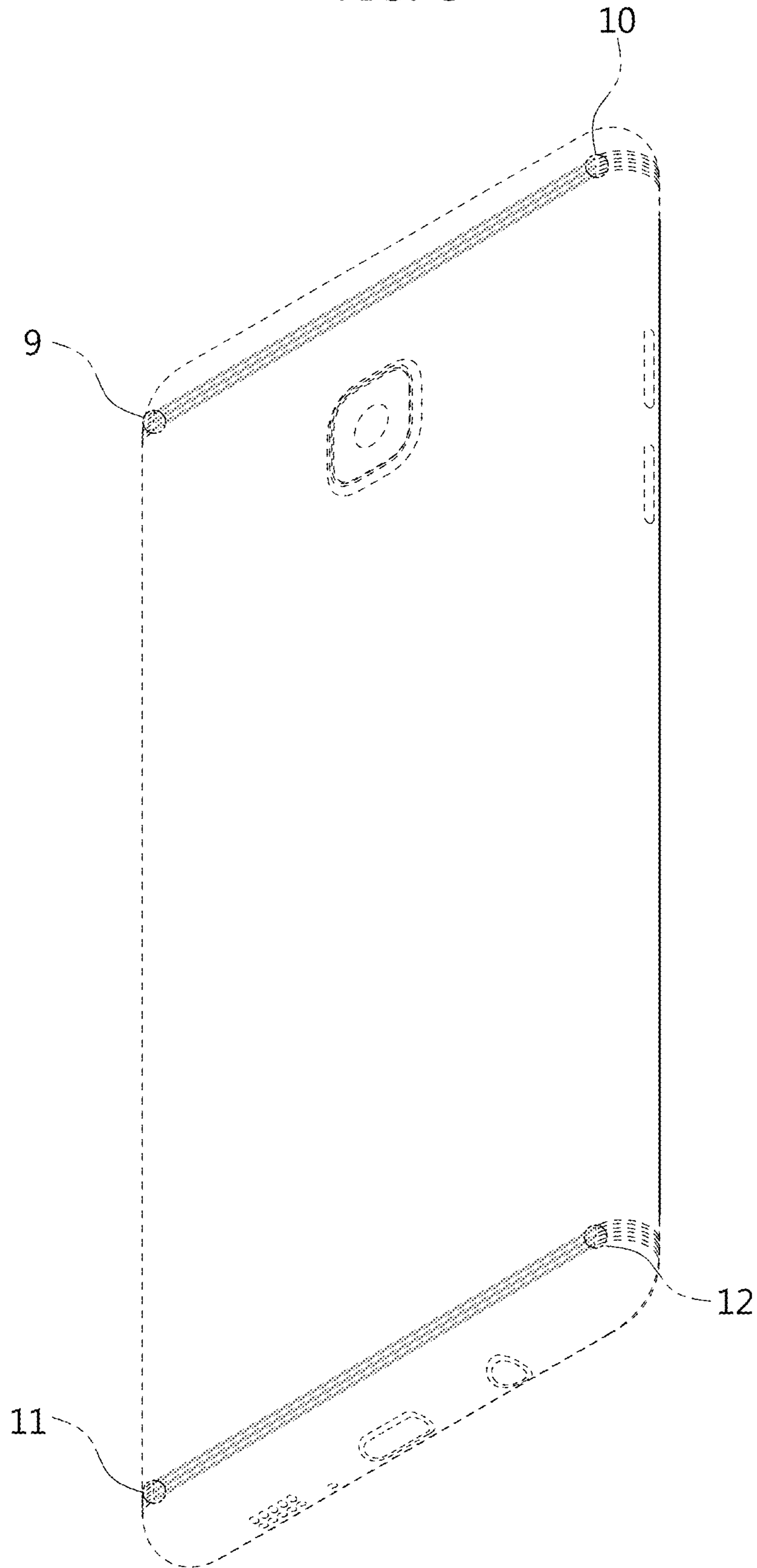


FIG. 9

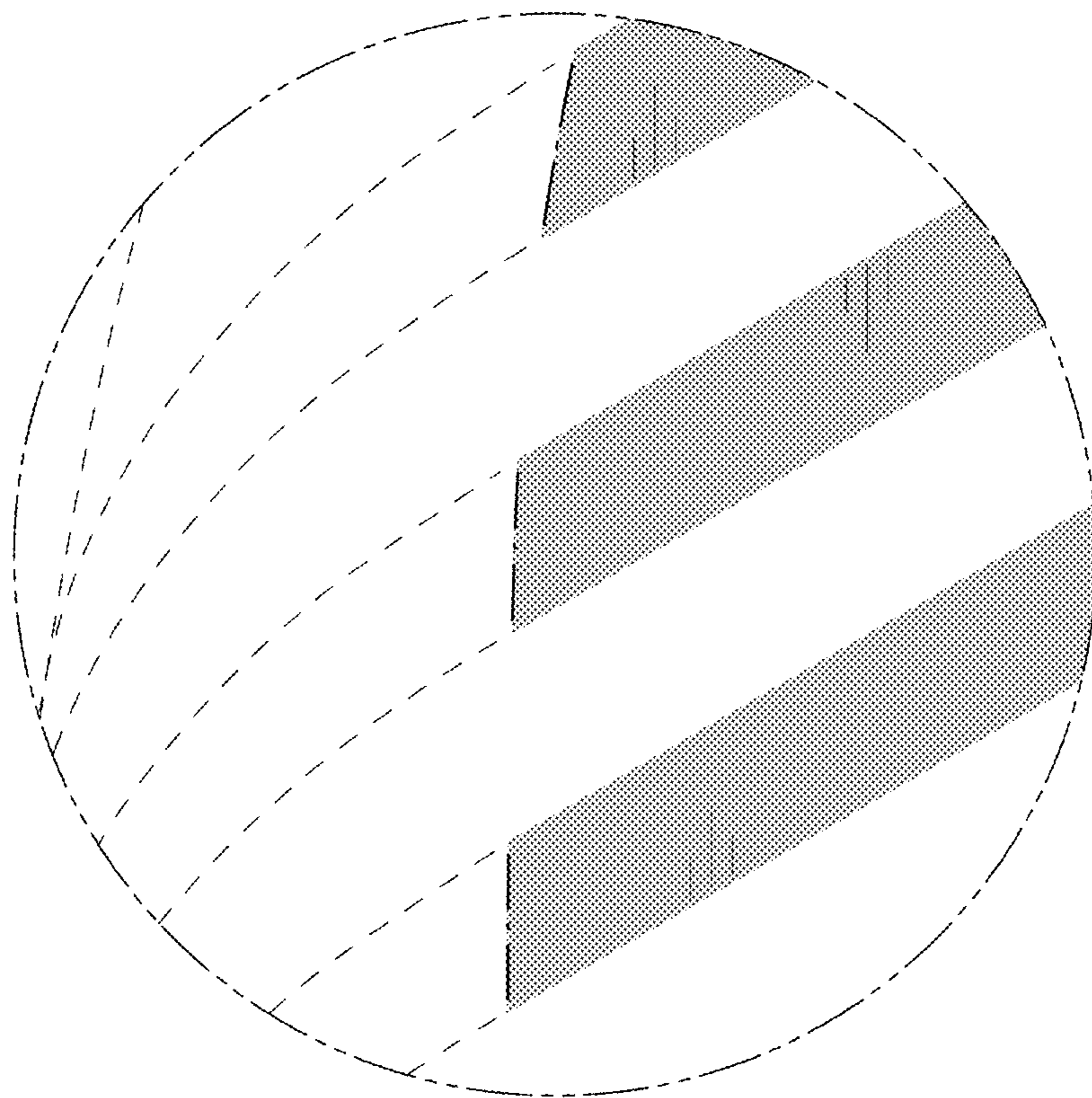


FIG. 10

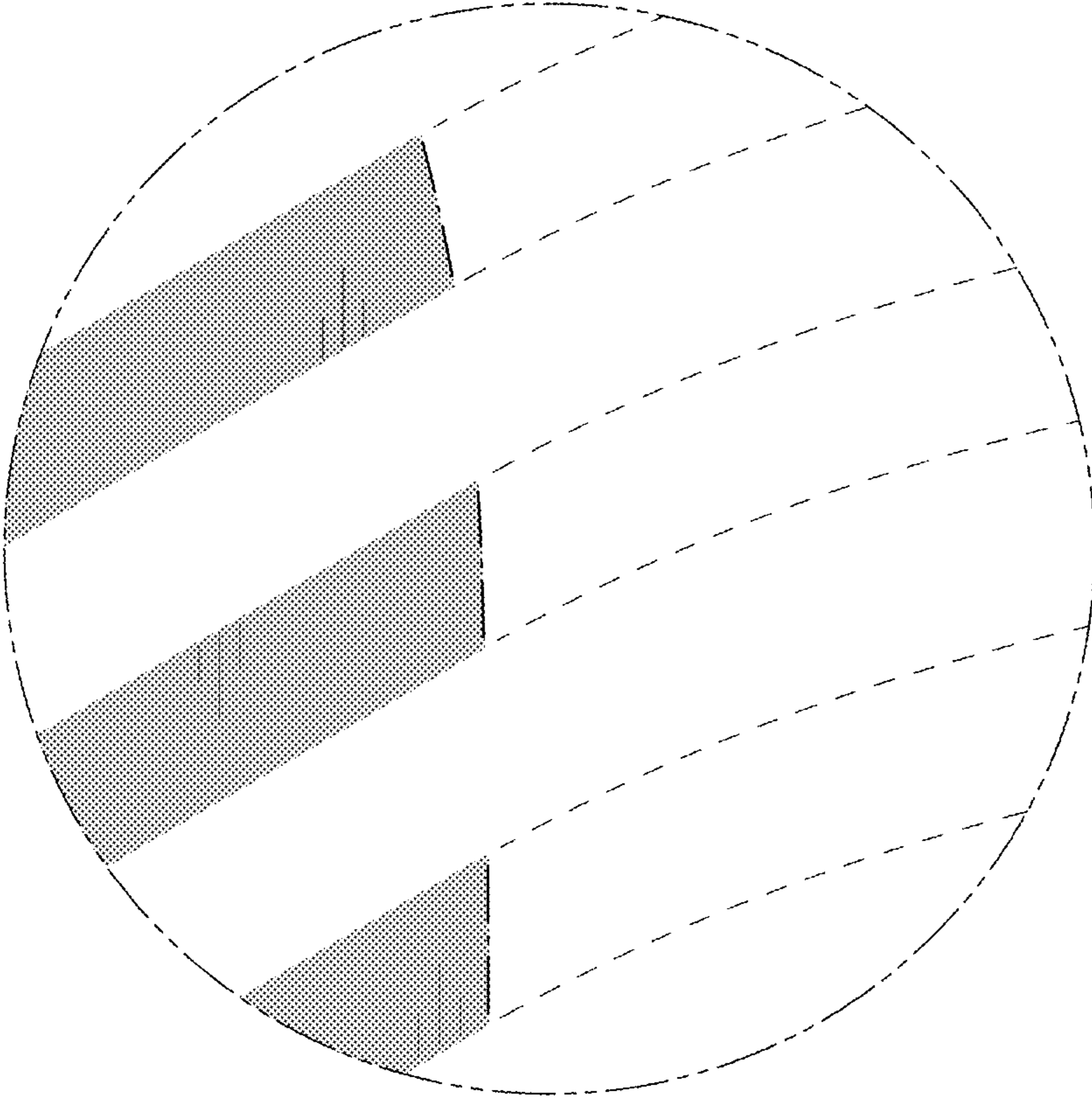


FIG. 11

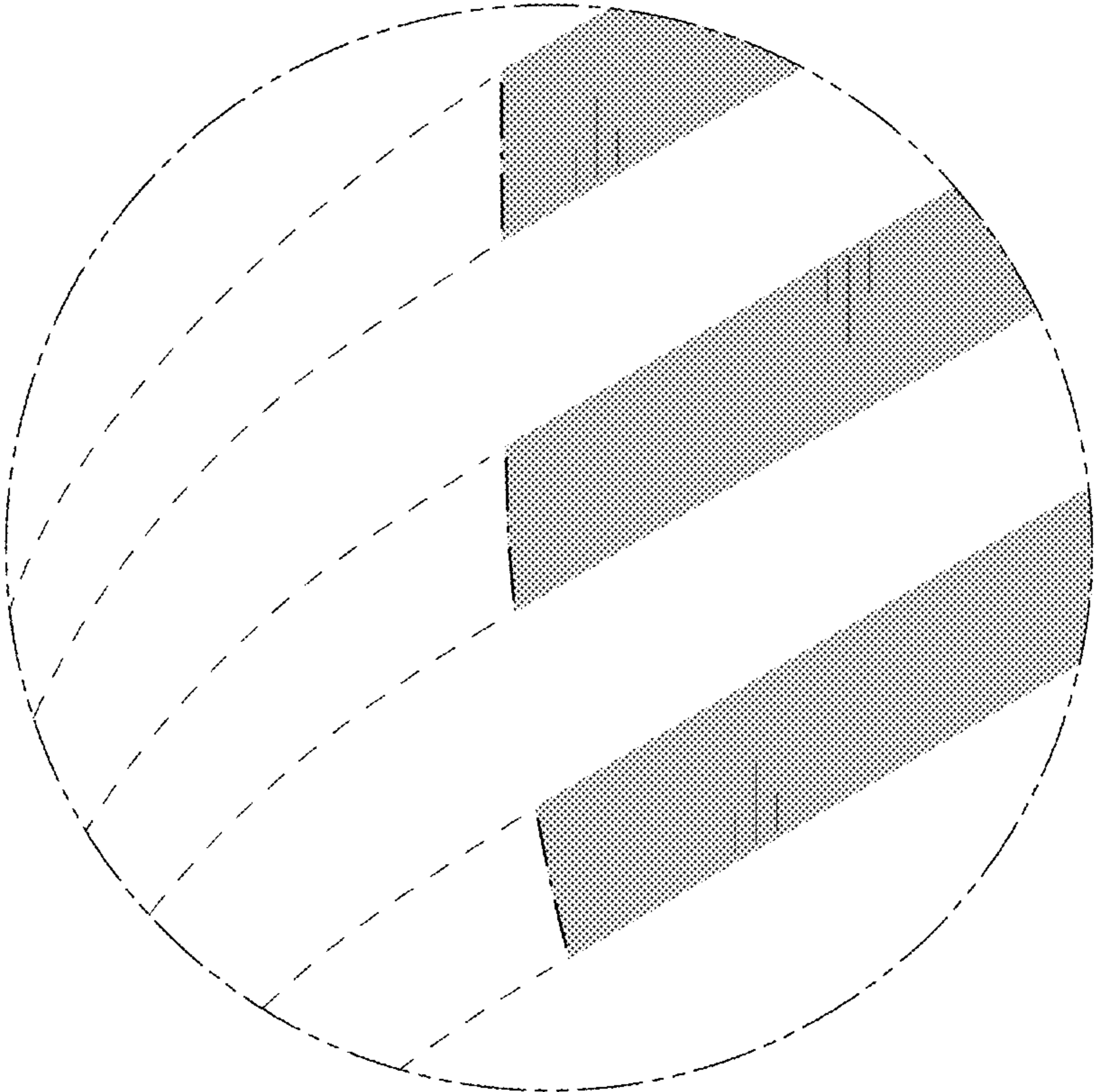


FIG. 12

