



US00D900796S

(12) **United States Design Patent**
Wang

(10) **Patent No.:** **US D900,796 S**

(45) **Date of Patent:** **** Nov. 3, 2020**

(54) **ROUTER**

(71) Applicant: **Quanta Computer Inc.**, Taoyuan (TW)

(72) Inventor: **Te-Chieh Wang**, Taoyuan (TW)

(73) Assignee: **QUANTA COMPUTER INC.**,
Guishan Dist., Taoyuan (TW)

(**) Term: **15 Years**

(21) Appl. No.: **29/690,937**

(22) Filed: **May 13, 2019**

(30) **Foreign Application Priority Data**

Mar. 6, 2019 (TW) 108301225

(51) **LOC (12) Cl.** **14-03**

(52) **U.S. Cl.**
USPC **D14/242**

(58) **Field of Classification Search**

USPC D14/240, 242, 357, 358, 140-140.9

CPC H04L 12/00; H03K 17/00; H04W 88/00;

H04W 88/005; H04W 88/02; H04W

88/08; H04W 88/085; H04W 88/10;

H04W 88/12; H04W 88/14; H04B 1/38

See application file for complete search history.

(56) **References Cited**

U.S. PATENT DOCUMENTS

D542,288 S * 5/2007 Andre D14/314

D580,931 S * 11/2008 Chang D14/356

D624,541 S * 9/2010 Kemery D14/358

D674,342 S * 1/2013 Ho D13/110

D706,249 S * 6/2014 Holzer D14/240

D766,456 S * 9/2016 Luc D24/231

D780,605 S * 3/2017 Chen D10/49

D815,626 S * 4/2018 Clover D14/242

D850,444 S * 6/2019 Mullins D14/344

D850,627 S * 6/2019 Purani D24/186

D857,678 S * 8/2019 Vardi D14/242

D859,415 S * 9/2019 Liao D14/434

D869,503 S * 12/2019 Johnson D14/496

FOREIGN PATENT DOCUMENTS

CN 305530574 * 1/2020

* cited by examiner

Primary Examiner — Bridget L Eland

(74) *Attorney, Agent, or Firm* — McClure, Qualey & Rodack, LLP

(57) **CLAIM**

The ornamental design for a router, as shown and described.

DESCRIPTION

FIG. 1 is a front, right and bottom perspective view of a router, showing my new design;

FIG. 2 is a front view thereof;

FIG. 3 is a rear view thereof;

FIG. 4 is a left side view thereof;

FIG. 5 is a right side view thereof;

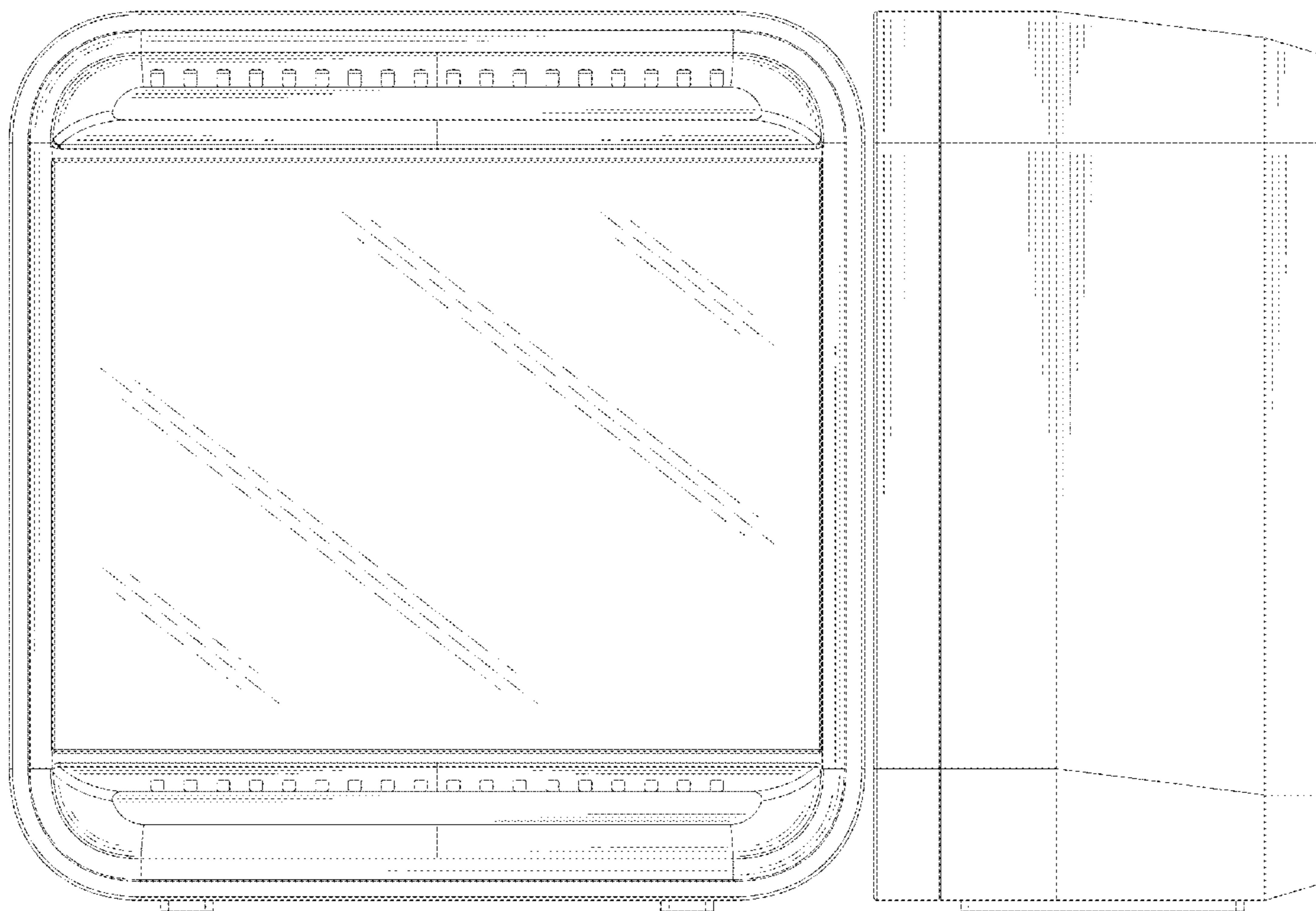
FIG. 6 is a top plan view thereof;

FIG. 7 is a bottom plan view thereof; and,

FIG. 8 is a rear, left and bottom perspective view thereof.

The broken lines in the drawings depict portions of the router that form no part of the claimed design.

1 Claim, 8 Drawing Sheets



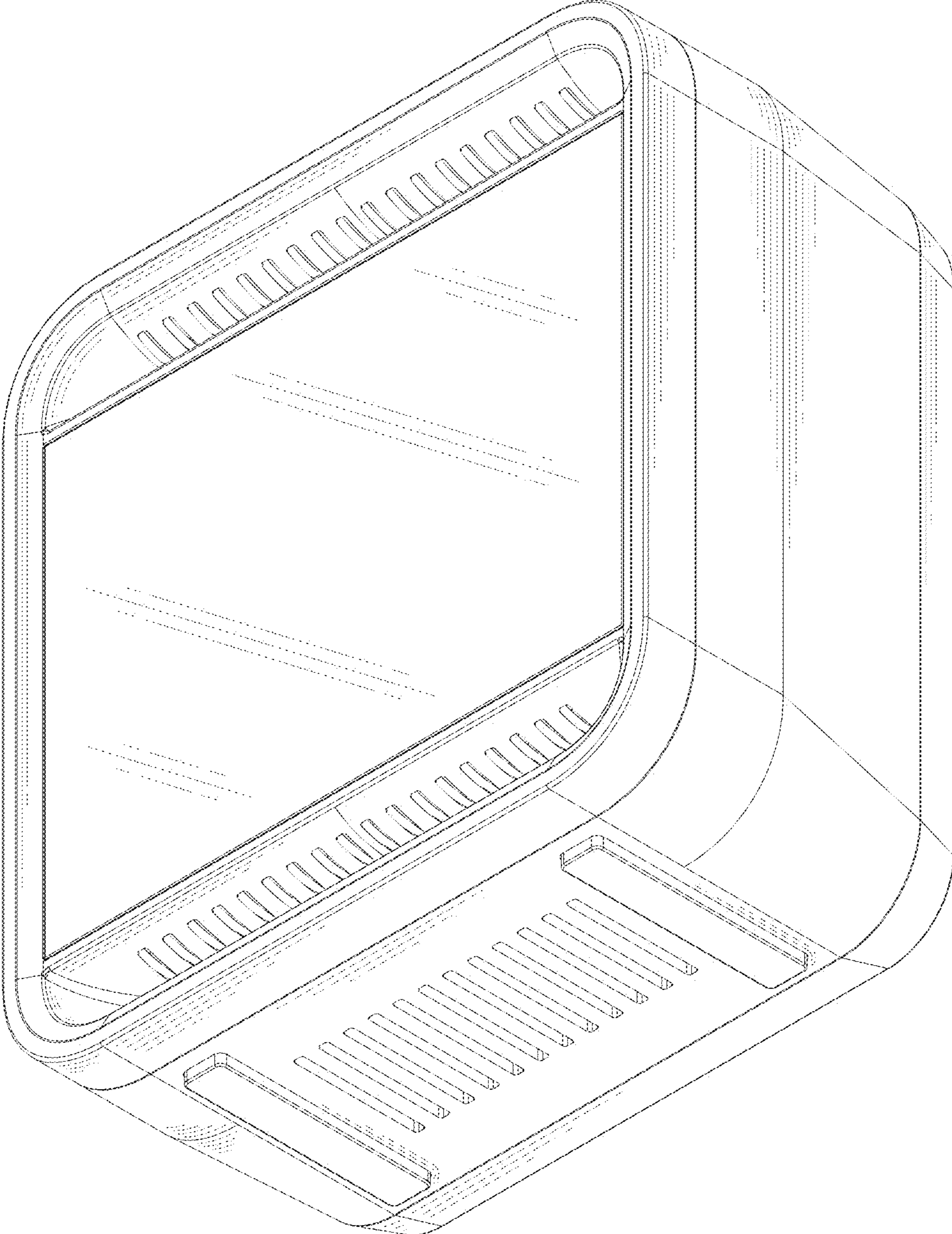


FIG. 1

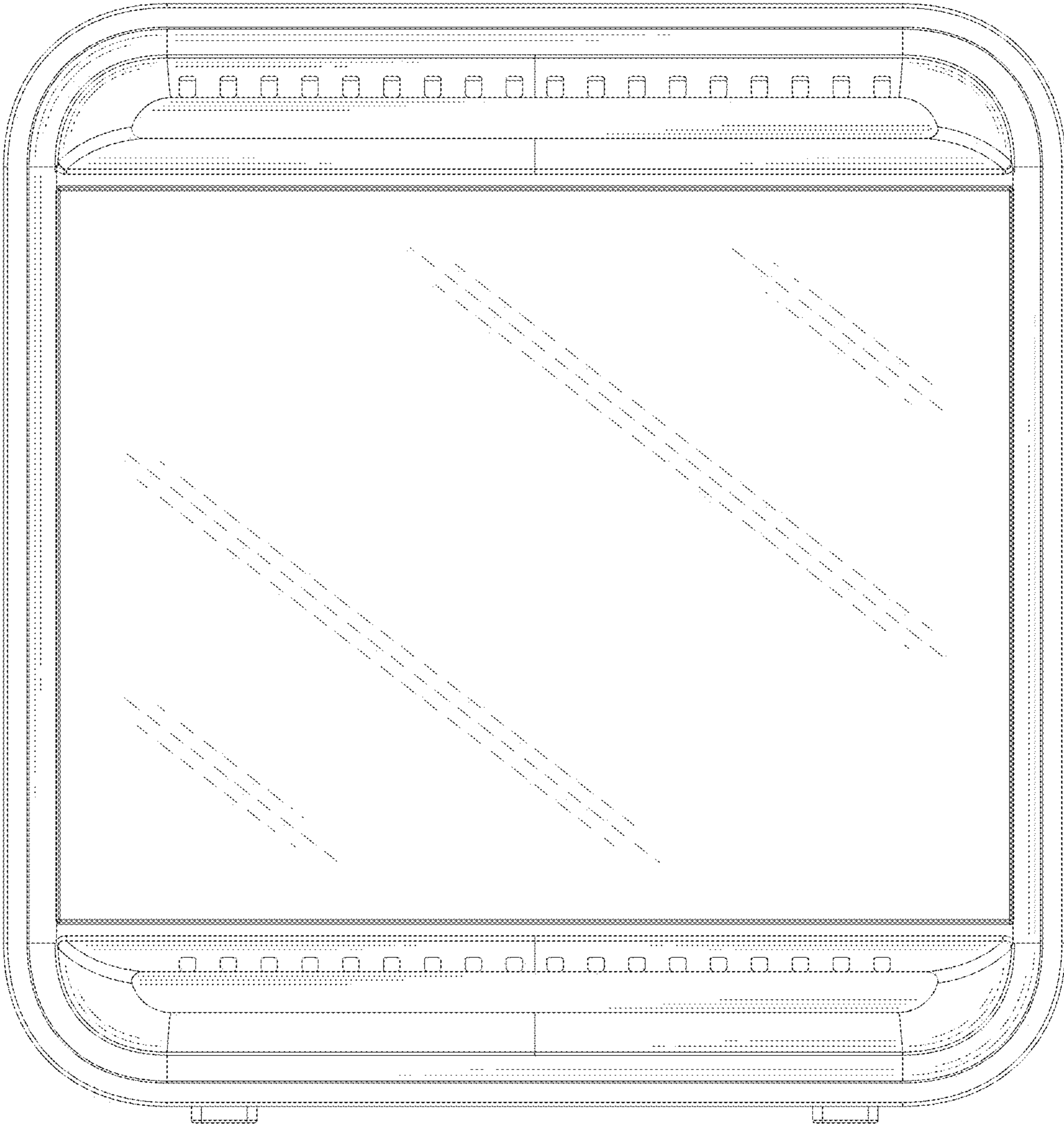


FIG. 2

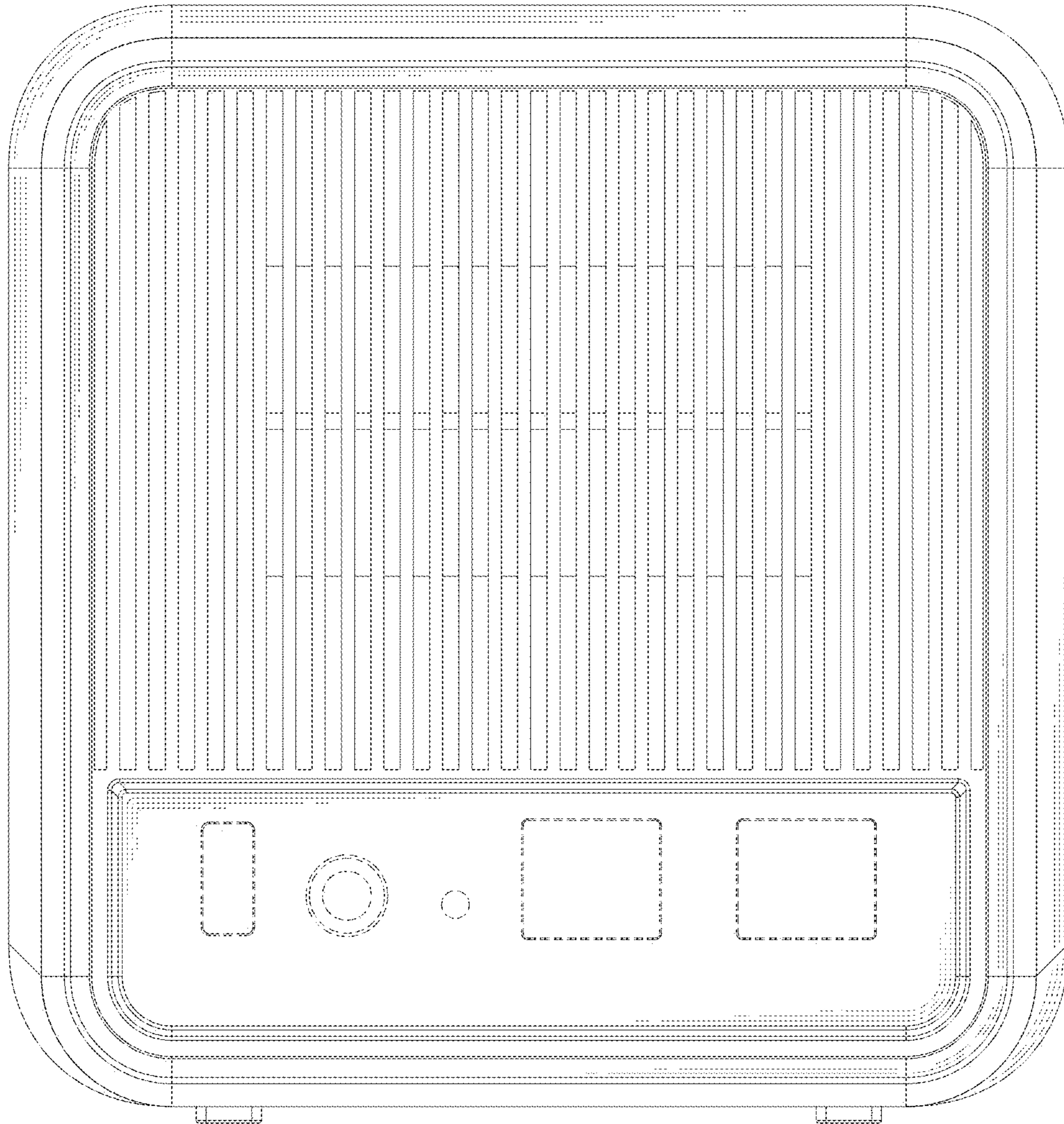


FIG. 3

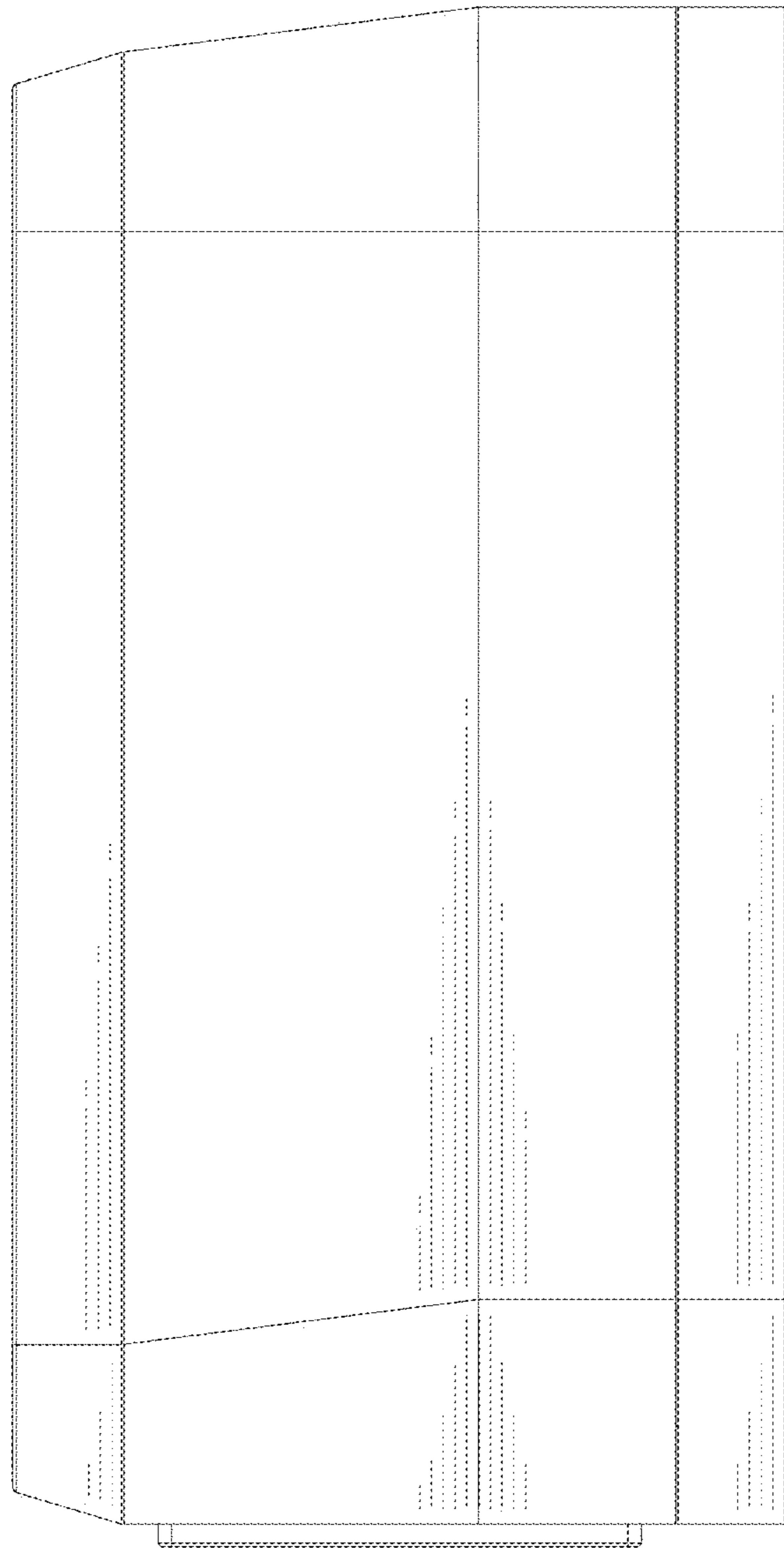


FIG. 4

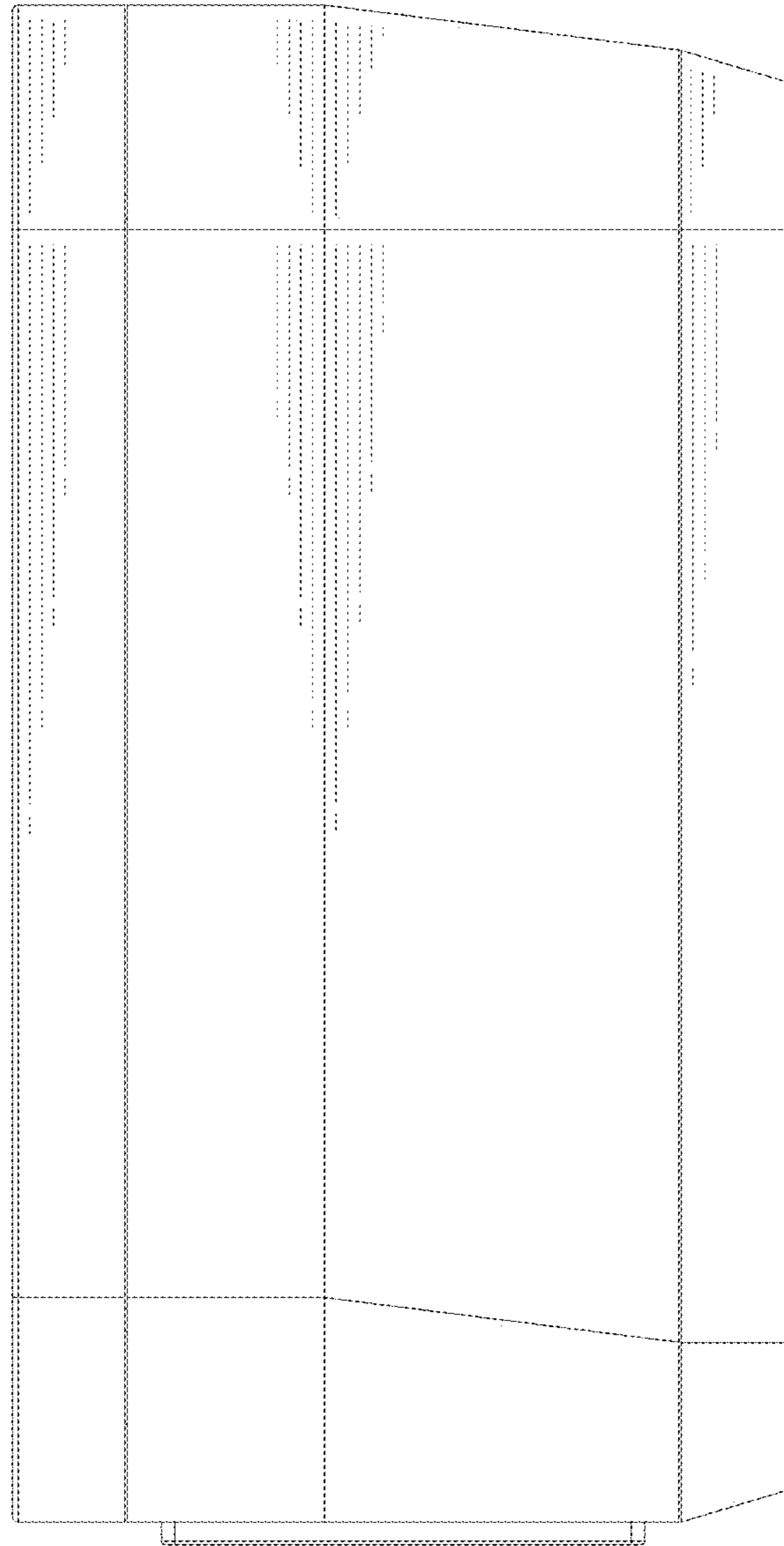


FIG. 5

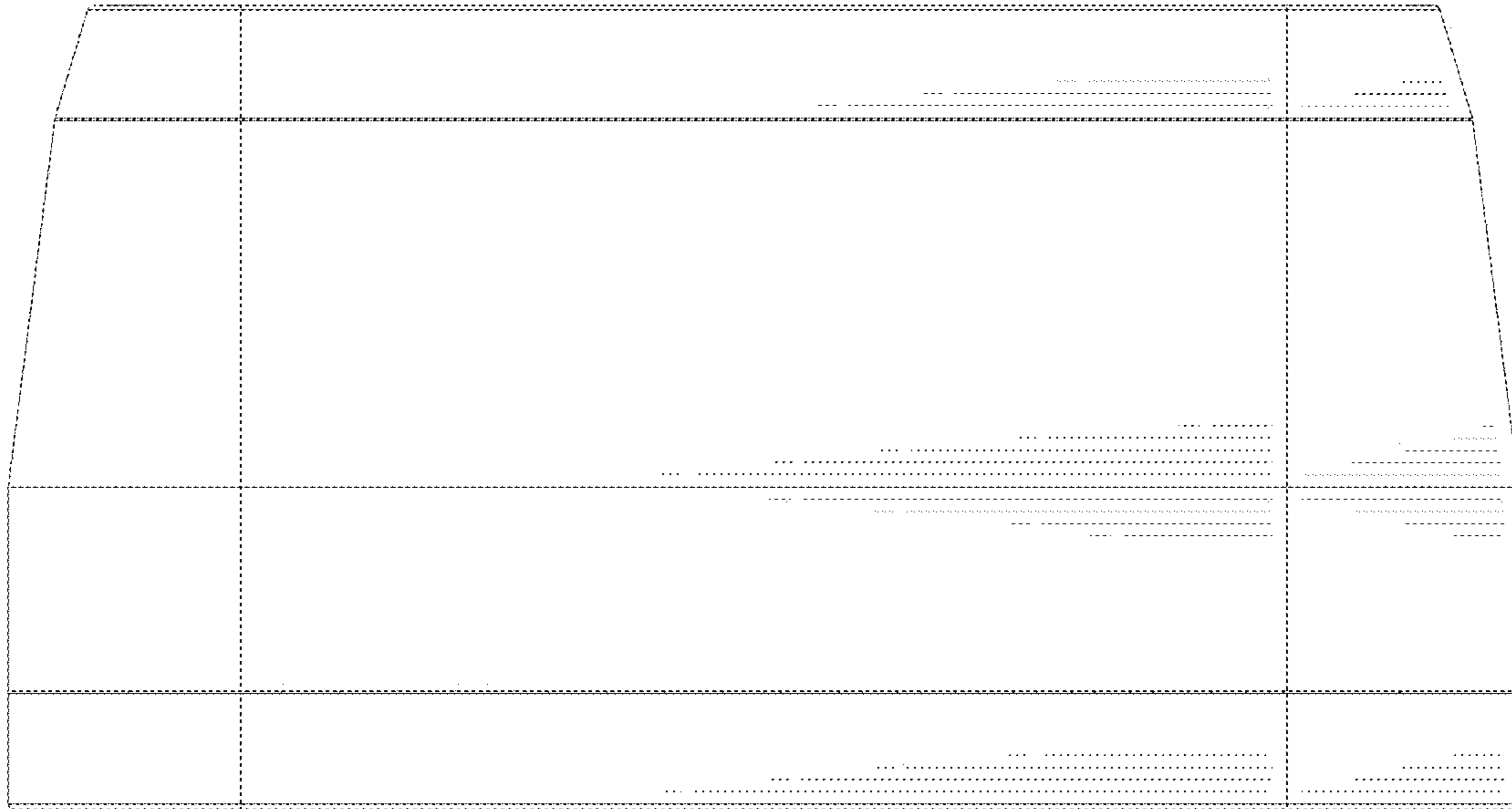


FIG. 6

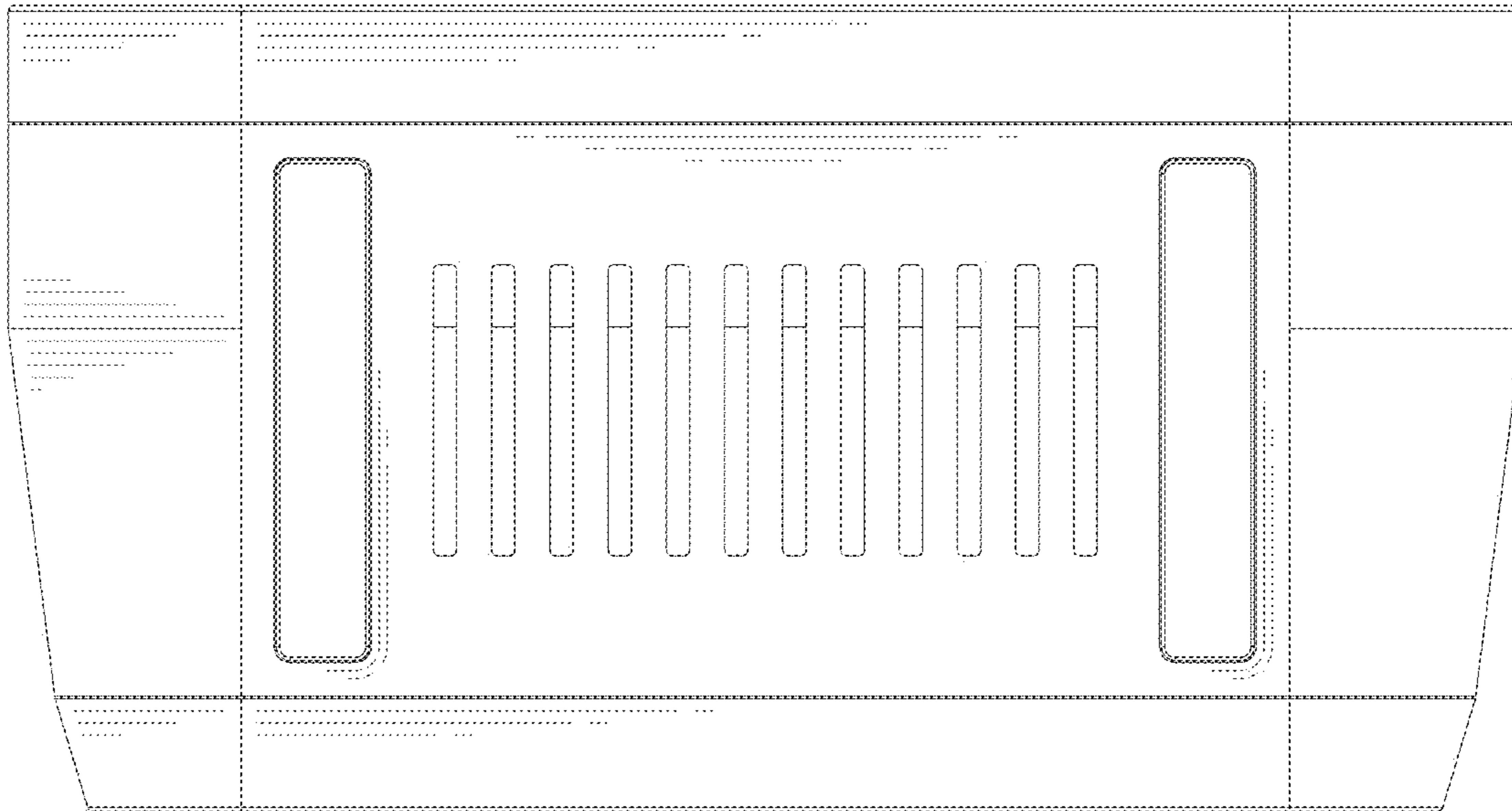


FIG. 7

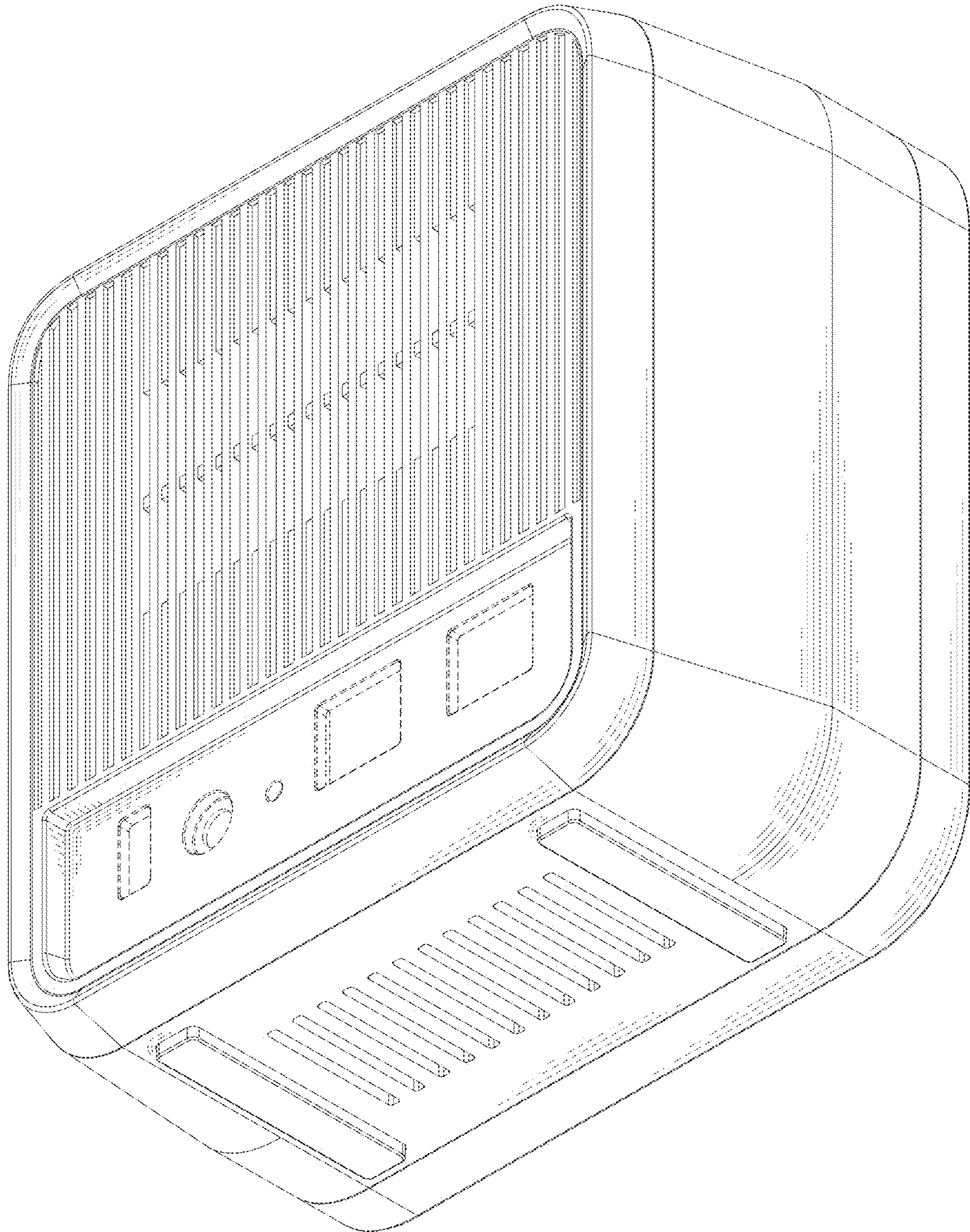


FIG. 8