



US00D900794S

(12) **United States Design Patent** (10) **Patent No.:** **US D900,794 S**
Chen et al. (45) **Date of Patent:** **** Nov. 3, 2020**

(54) **HORN ANTENNA**
(71) Applicant: **Wistron NeWeb Corp.**, Hsinchu (TW)
(72) Inventors: **Tzong-Jyh Chen**, Hsinchu (TW);
I-Ching Lan, Hsinchu (TW)
(73) Assignee: **WISTRON NEWEB CORP.**, Hsinchu
(TW)
(**) Term: **15 Years**
(21) Appl. No.: **29/720,761**
(22) Filed: **Jan. 15, 2020**

Related U.S. Application Data

(62) Division of application No. 29/626,744, filed on Nov. 20, 2017, now Pat. No. Des. 876,401.
(51) **LOC (12) Cl.** **14-03**
(52) **U.S. Cl.**
USPC **D14/230**
(58) **Field of Classification Search**
USPC D14/230-238, 138, 172, 188, 203.1,
D14/203.3, 203.6, 204, 216, 221, 238.1,
D14/240, 242, 299, 314, 343, 356, 358,
D14/496, 509; D13/107, 108
CPC H01Q 1/007; H01Q 1/084; H01Q 1/12;
H01Q 1/22; H01Q 1/38; H01Q 1/42;
H01Q 7/00; H01Q 9/40; H01Q 9/285;
H01Q 9/065; H01Q 9/44; H01Q 9/265;
H01Q 19/10; H01Q 19/106; H01Q 19/12;
H01Q 19/13; H01Q 19/15; H01Q 19/30;
H01Q 21/28; H01Q 21/06; H01Q 21/062;
H01Q 21/293; H01Q 23/00; H01Q
13/0241; H01Q 13/025; G05D 1/02;
G05D 1/0234

See application file for complete search history.

(56) **References Cited**
U.S. PATENT DOCUMENTS
D320,602 S * 10/1991 Wells D14/238
D357,020 S * 4/1995 Raymond D14/230
D401,245 S * 11/1998 Benn D14/238
D401,592 S * 11/1998 Nishimura D14/230
D422,999 S * 4/2000 Overton D14/137
D435,251 S * 12/2000 Overton D14/230
D470,482 S * 2/2003 Ikeda D14/230
D489,713 S * 5/2004 Yusa D14/230
D501,467 S * 2/2005 Wang D14/235
D501,468 S * 2/2005 Wang D14/235
(Continued)

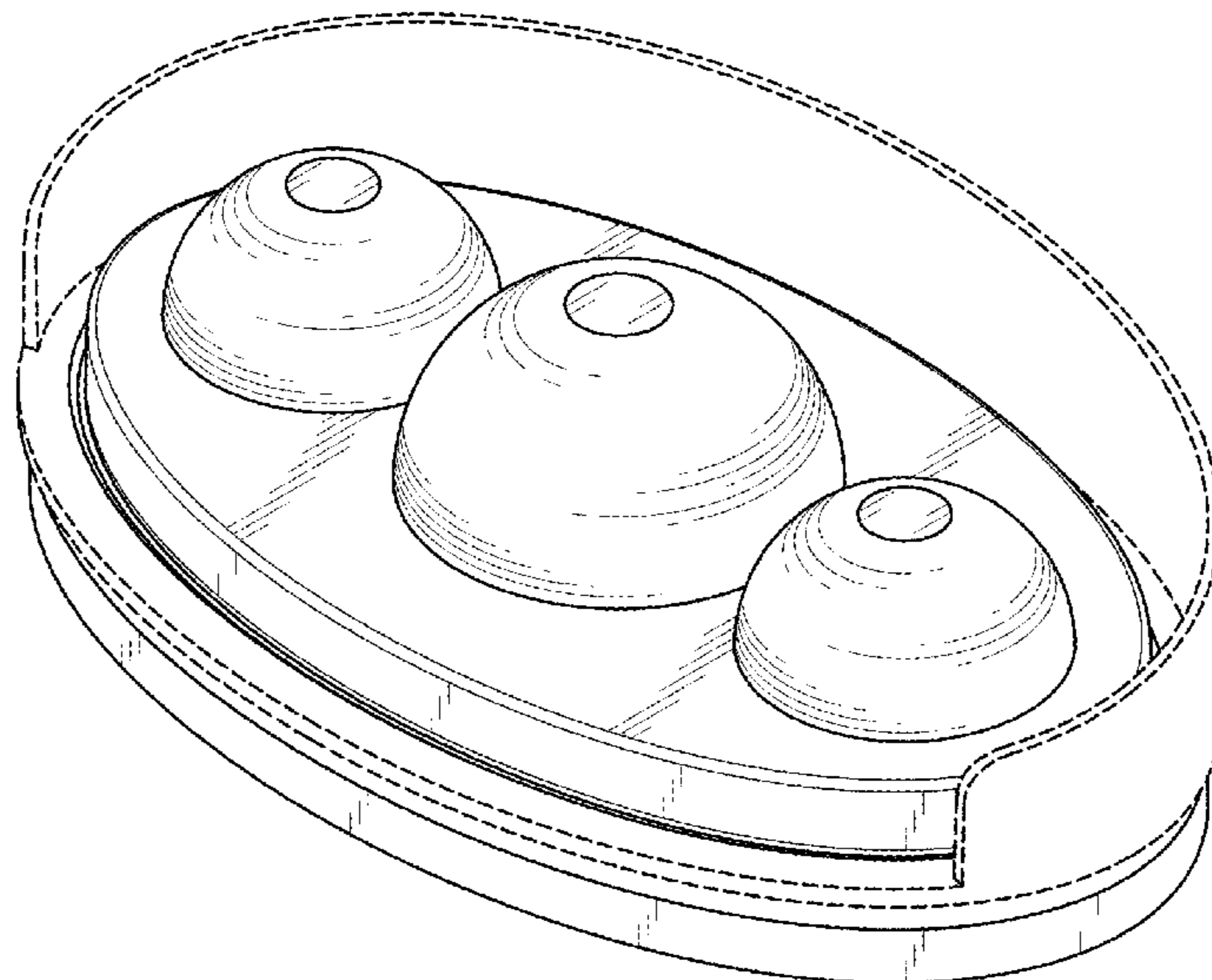
Primary Examiner — Jeffrey D Asch
Assistant Examiner — Rebekah A Caruso

(57) **CLAIM**
The ornamental design for a horn antenna, as shown and described.

DESCRIPTION

FIG. 1 is a top perspective view of a first embodiment of a horn antenna, in accordance with our new design;
FIG. 2 is a front view thereof;
FIG. 3 is a rear view thereof;
FIG. 4 is a left view thereof;
FIG. 5 is a right view thereof;
FIG. 6 is a top plan view thereof;
FIG. 7 is a bottom plan view thereof;
FIG. 8 is a bottom perspective view thereof;
FIG. 9 is a top perspective view of a second embodiment of a horn antenna, in accordance with our new design;
FIG. 10 is a front view thereof;
FIG. 11 is a rear view thereof;
FIG. 12 is a left view thereof;
FIG. 13 is a right view thereof;
FIG. 14 is a top plan view thereof;
FIG. 15 is a bottom plan view thereof; and,
FIG. 16 is a bottom perspective view thereof.
The broken lines in the drawings depict parts of the horn antenna only and form no part of the claimed design.

1 Claim, 10 Drawing Sheets



(56)

References Cited

U.S. PATENT DOCUMENTS

D598,905 S ‡	8/2009	Cook	D14/236
D624,132 S *	9/2010	Cheng	D21/451
7,876,282 B2 *	1/2011	Keilman	H01Q 1/40 343/793
D659,681 S *	5/2012	Suzuki	D14/221
D803,817 S *	11/2017	Schulz	D14/230
D827,622 S *	9/2018	Baiz	D14/238
D876,401 S *	2/2020	Chen	D14/230
D886,909 S *	6/2020	Zhou	D21/453
2019/0157750 A1 *	5/2019	Chen	H01Q 1/42

* cited by examiner

‡ imported from a related application

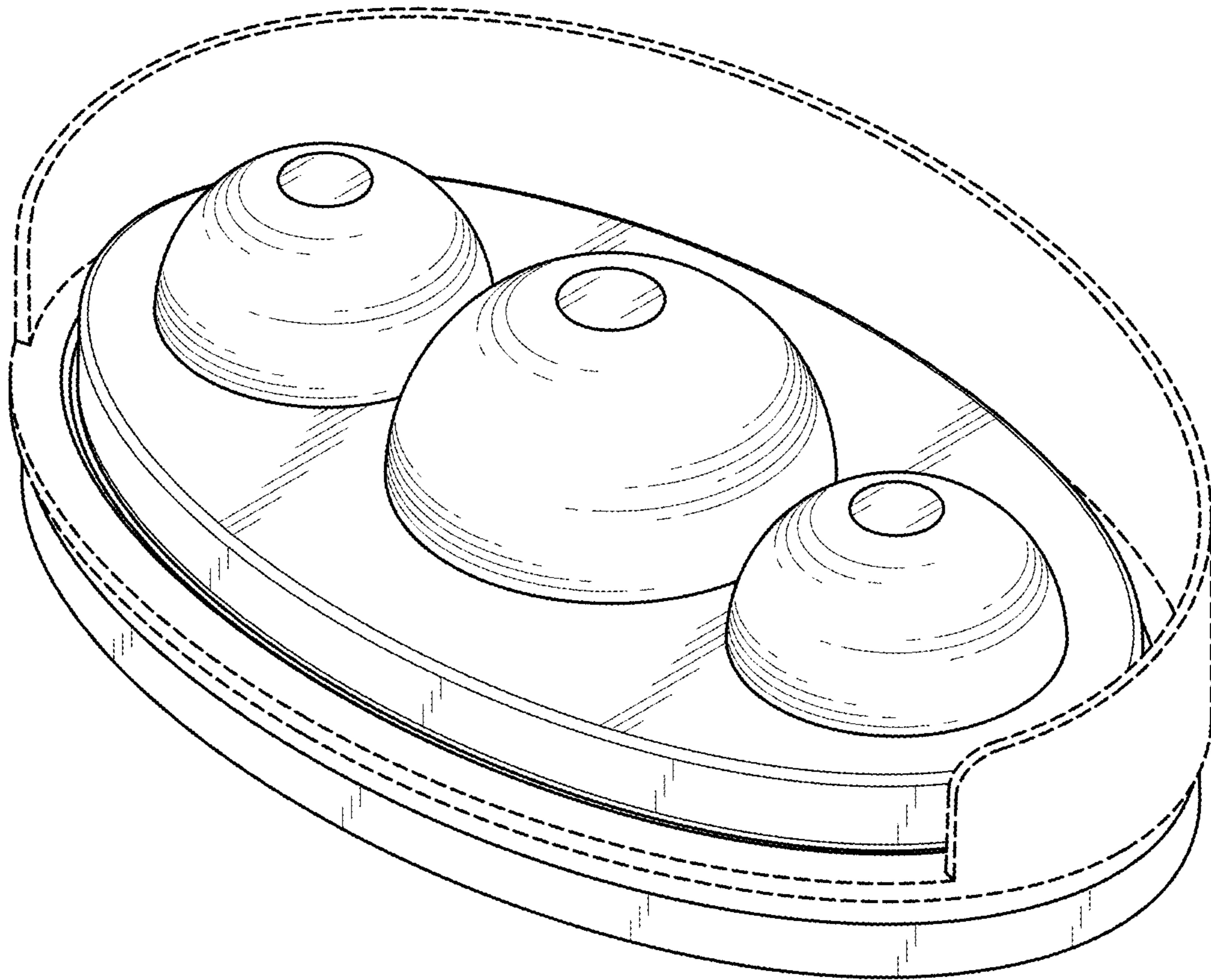


FIG. 1

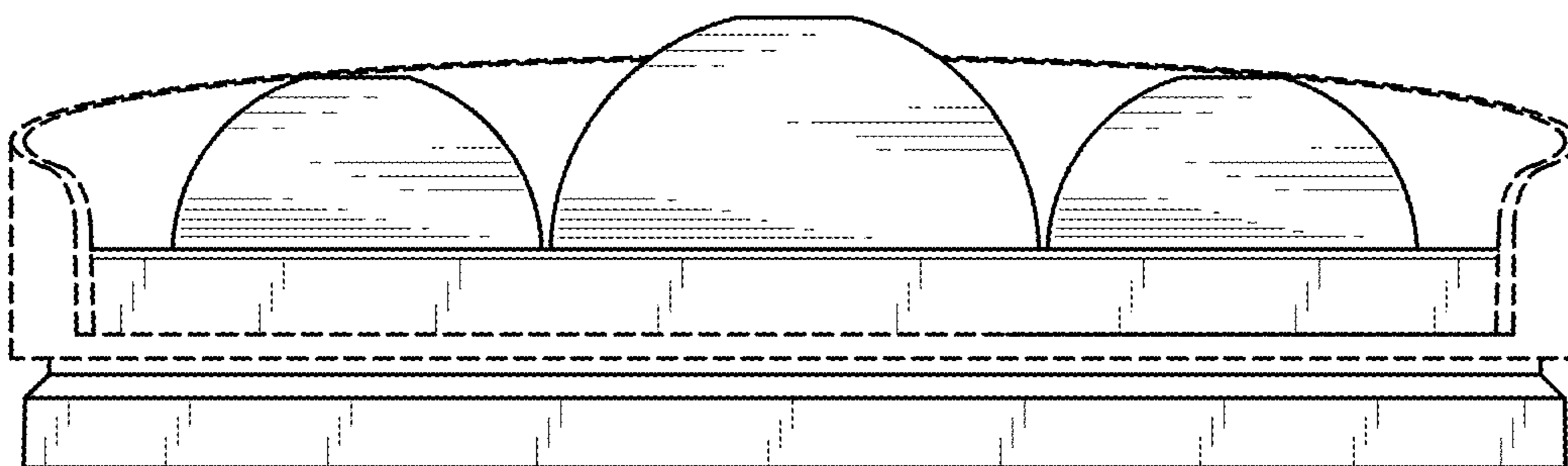


FIG. 2

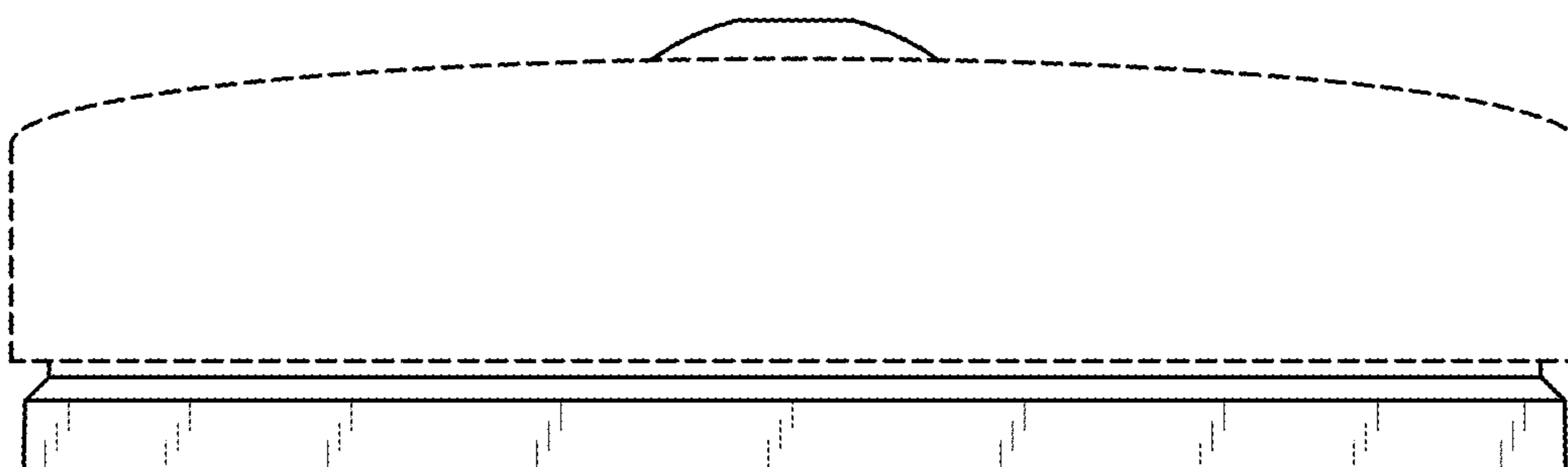


FIG. 3

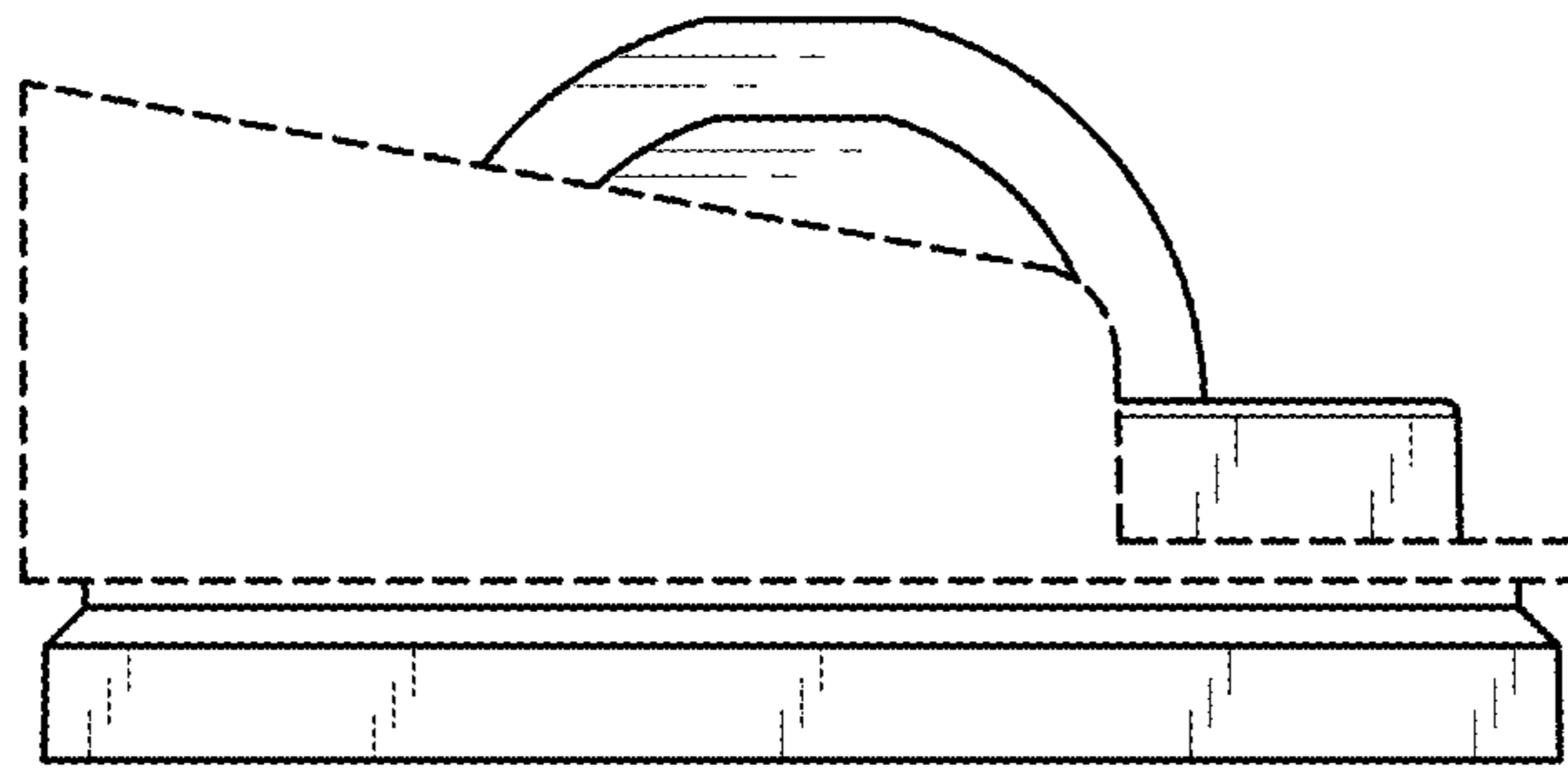


FIG. 4

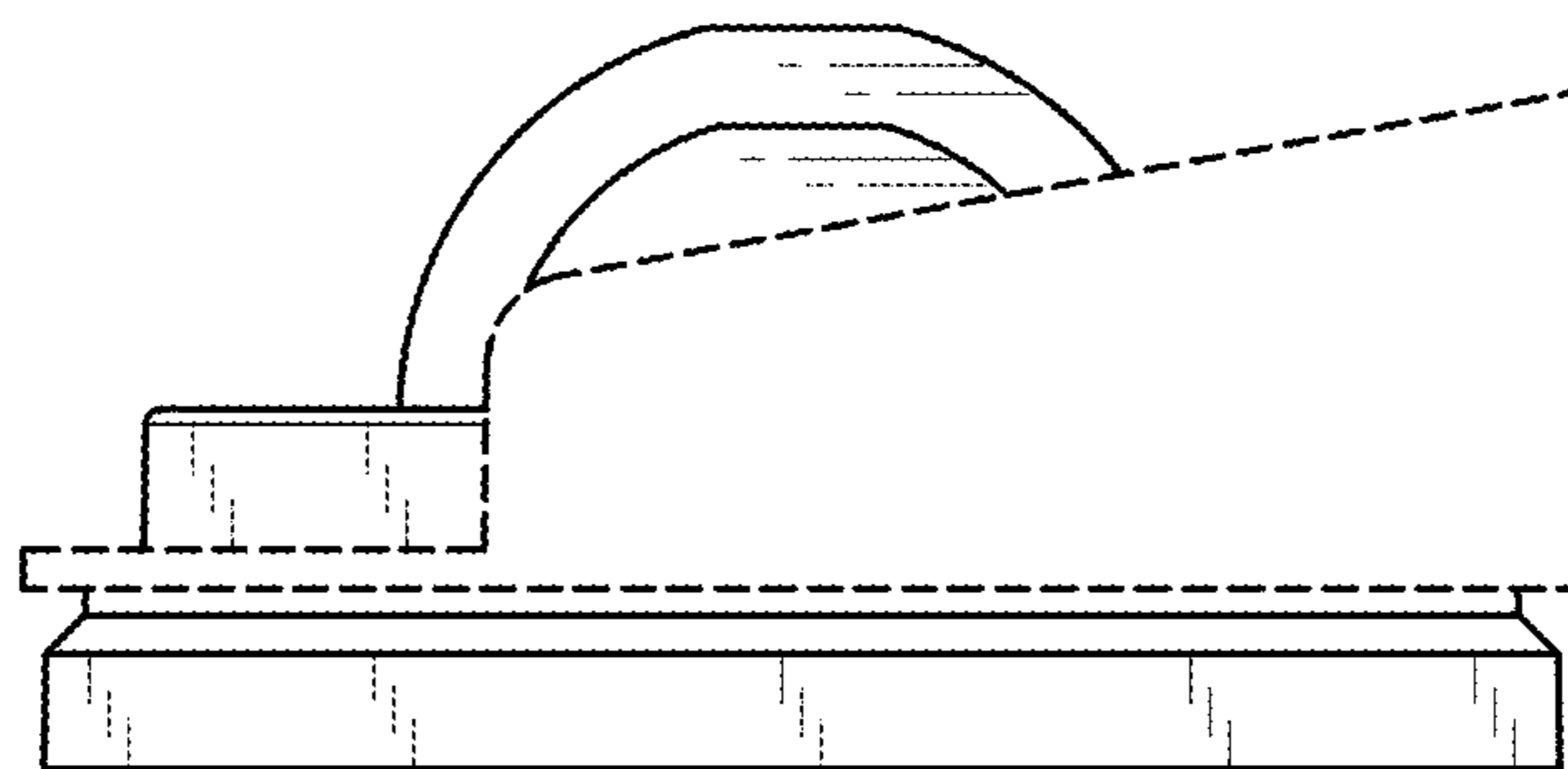


FIG. 5

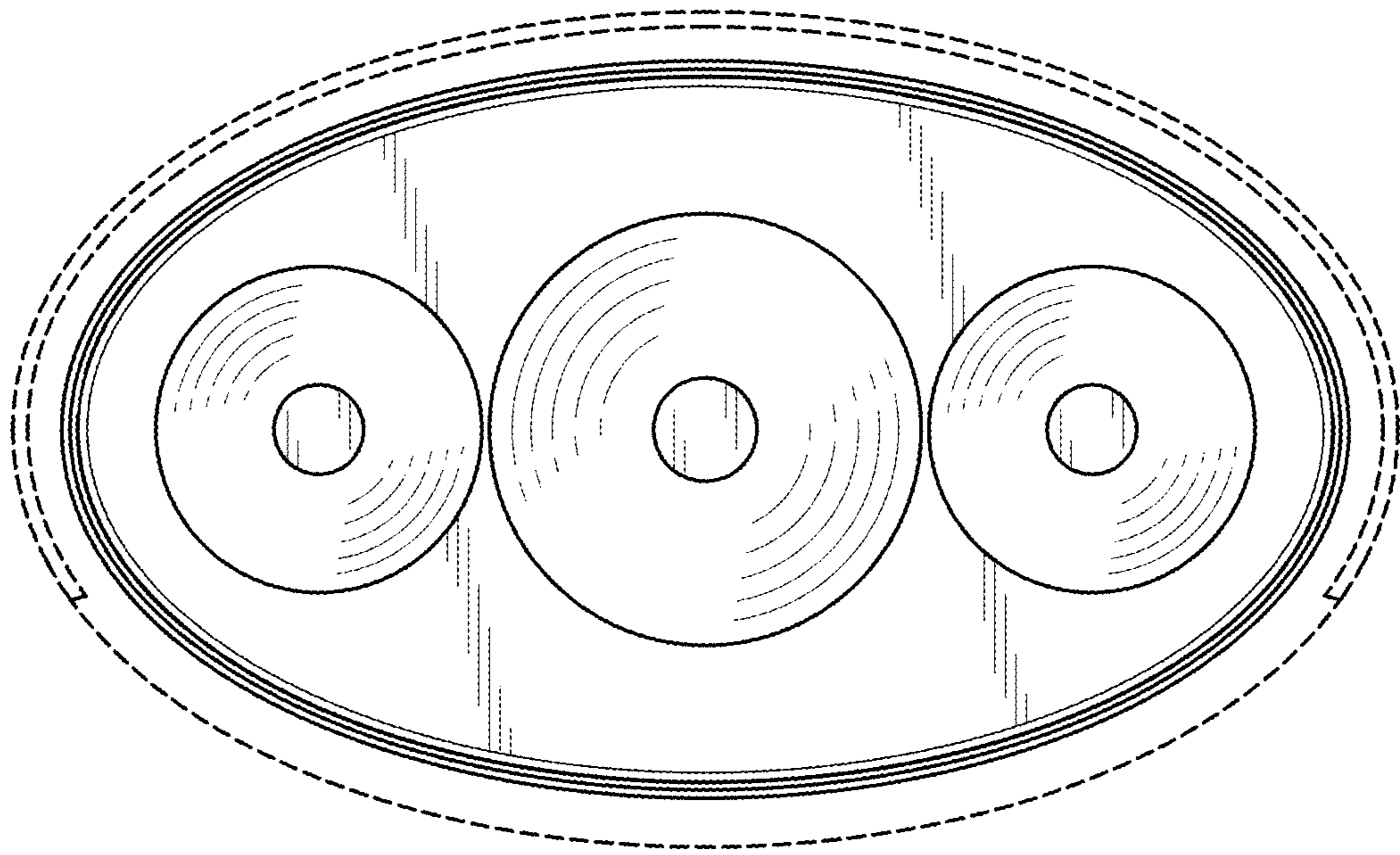


FIG. 6

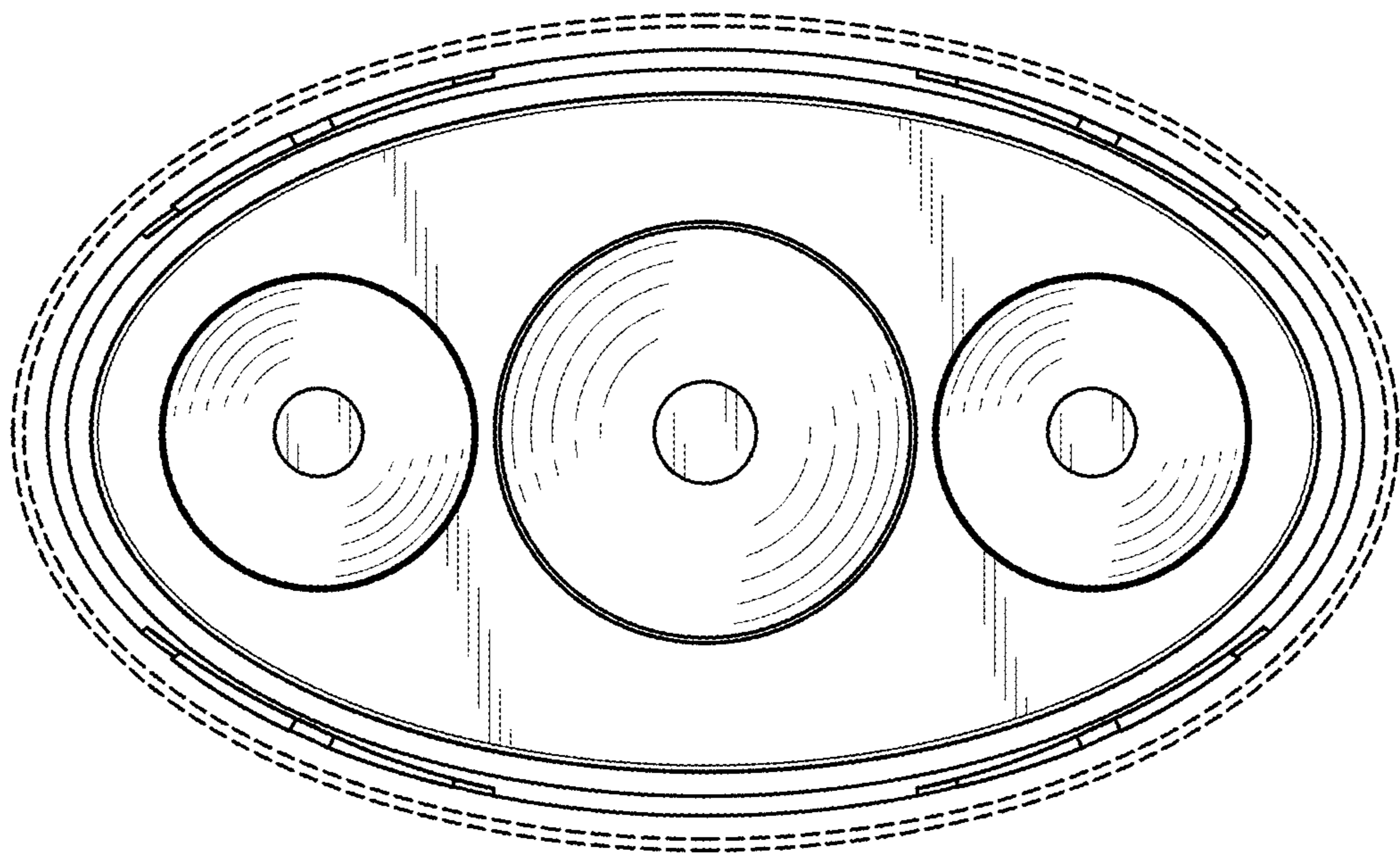


FIG. 7

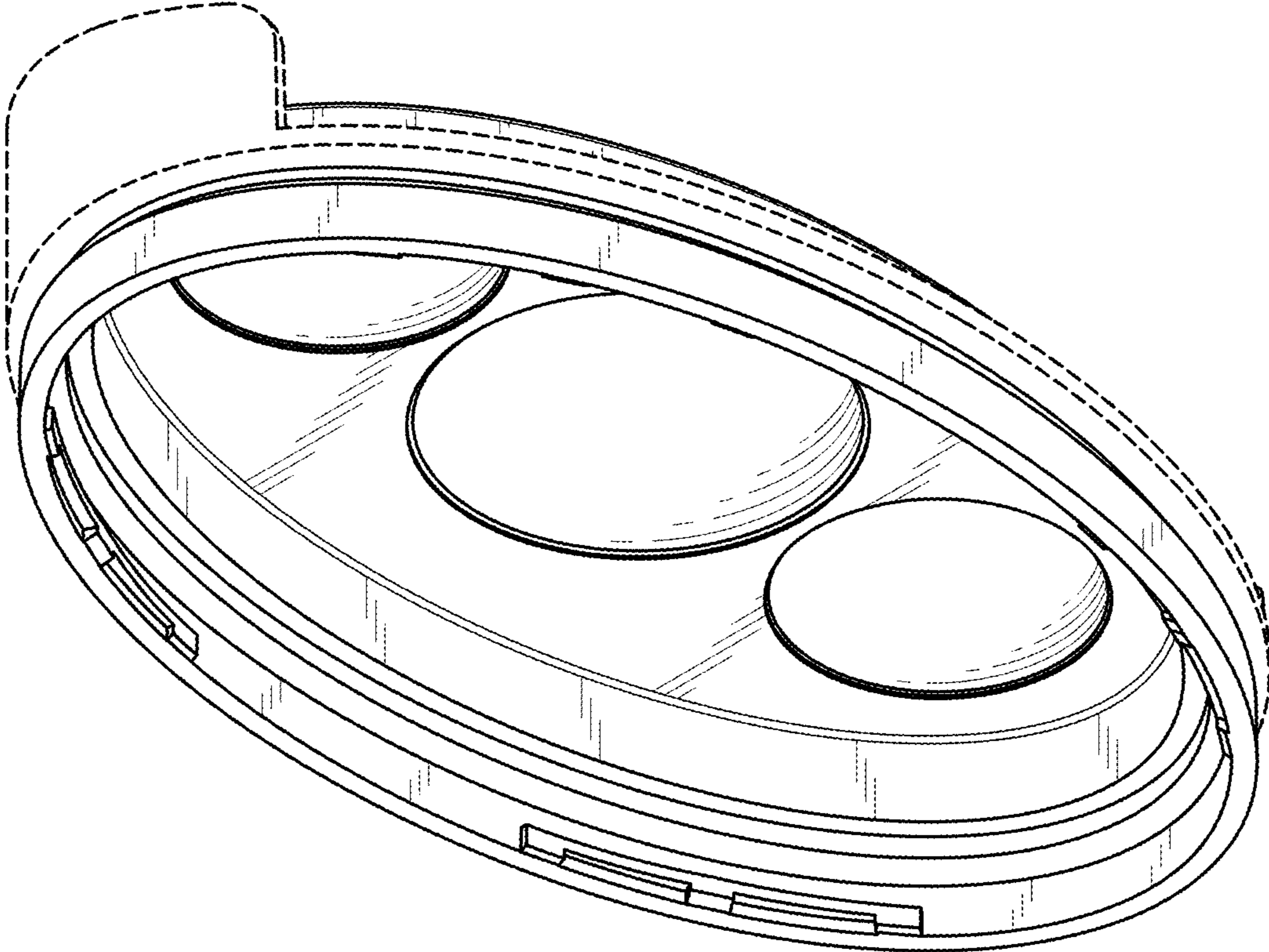


FIG. 8

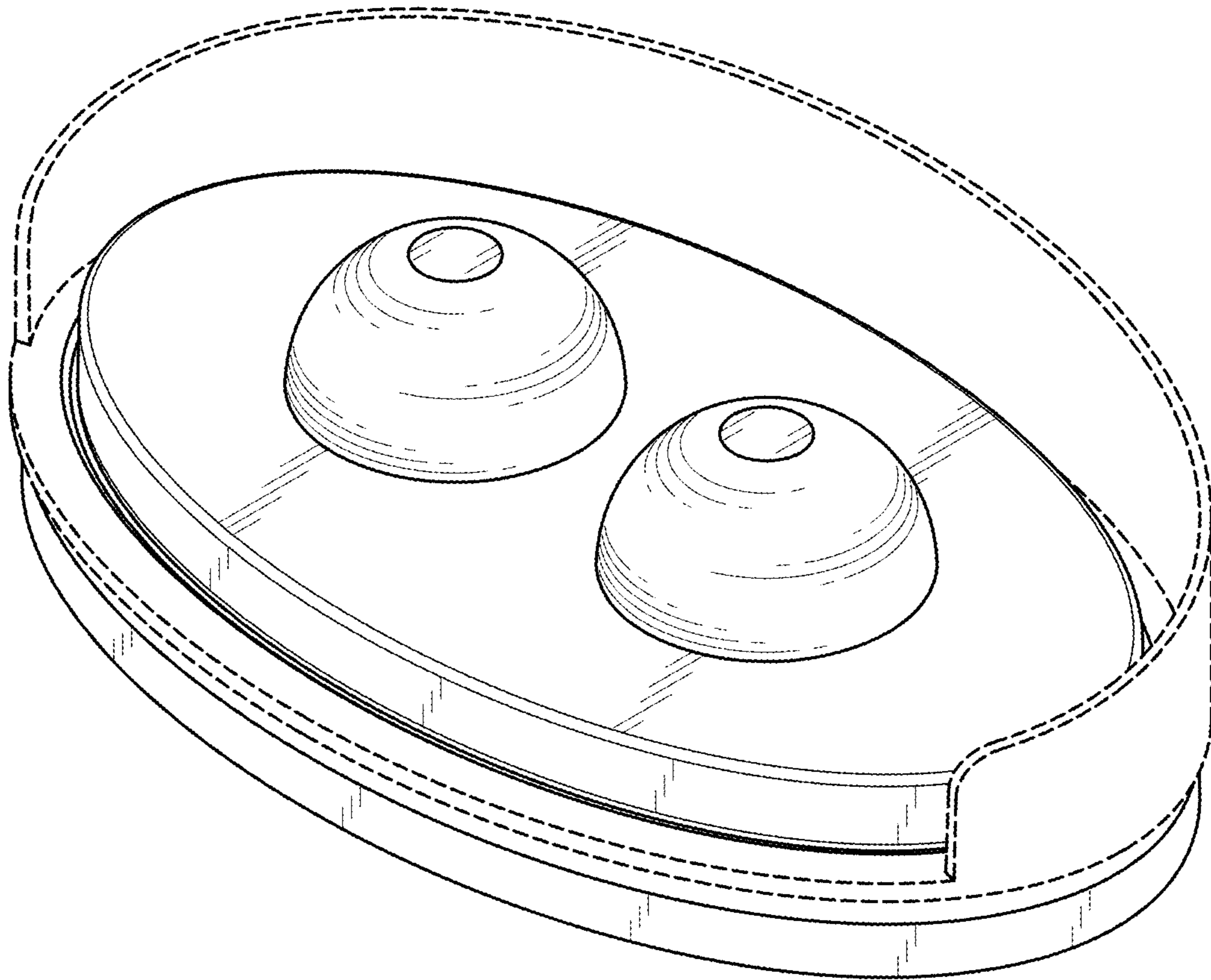


FIG. 9

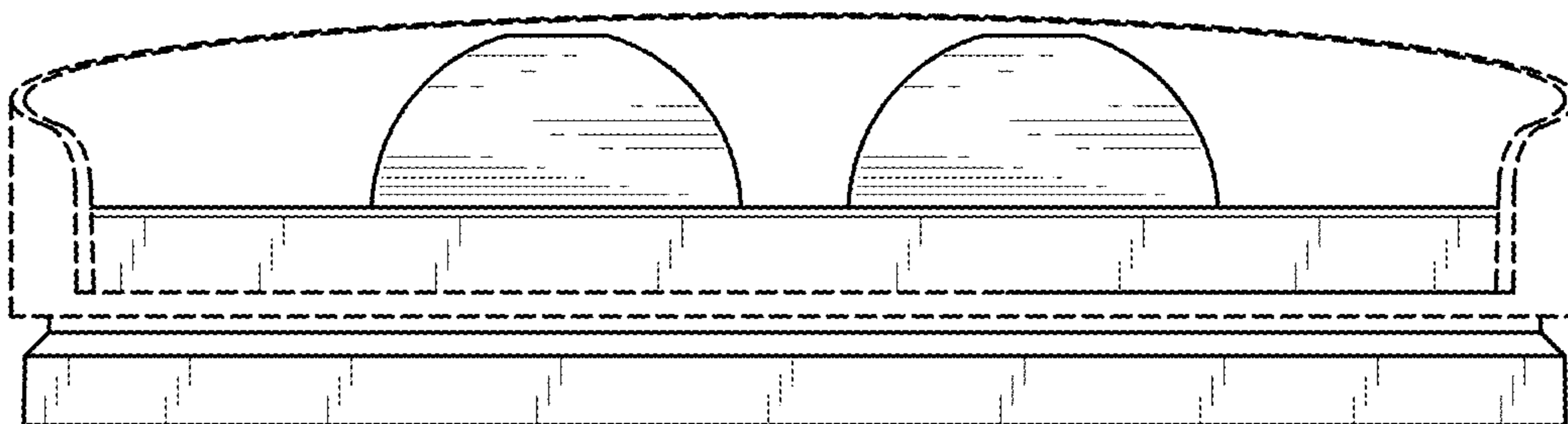


FIG. 10

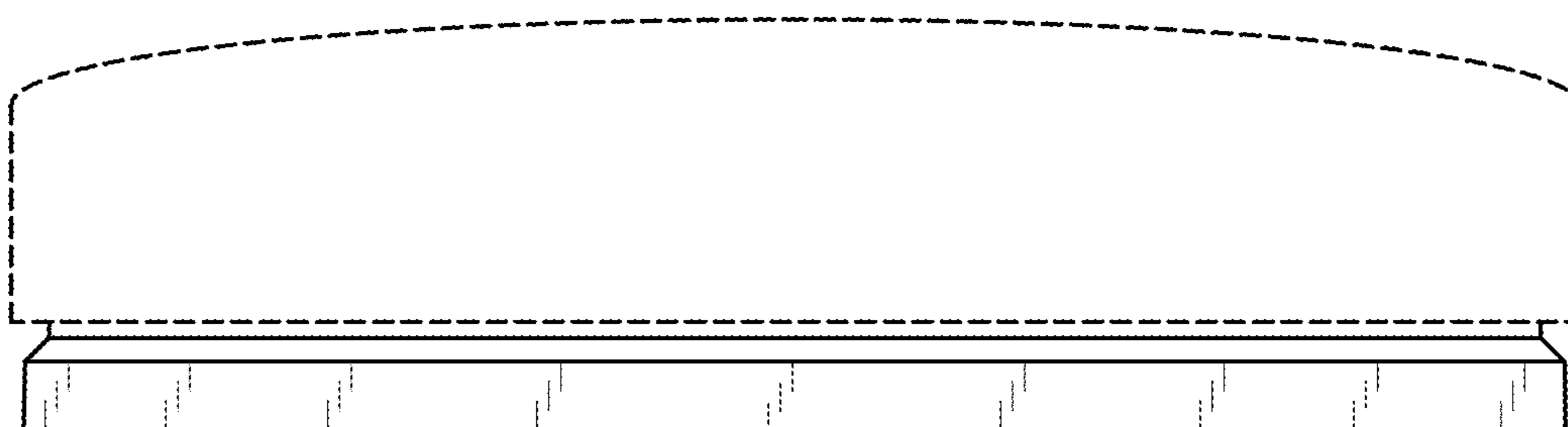


FIG. 11

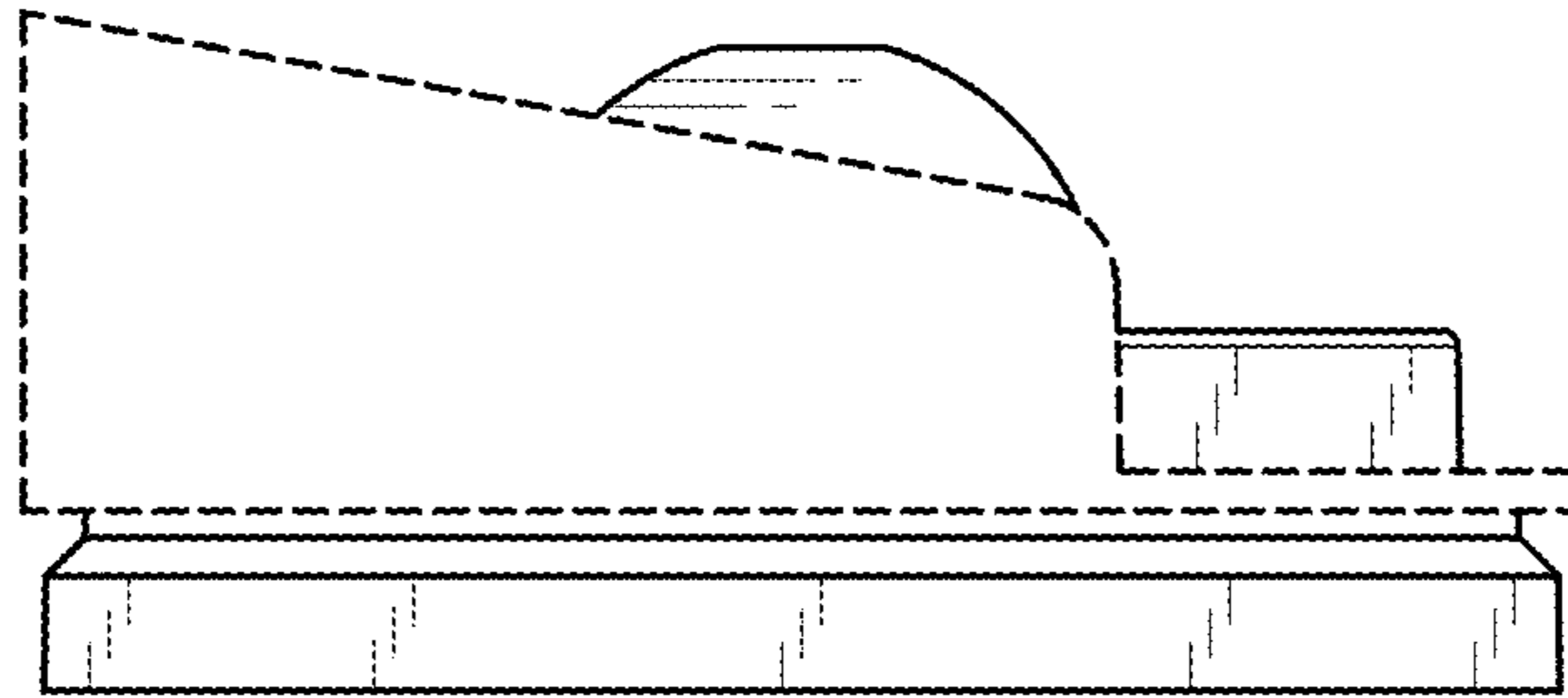


FIG. 12

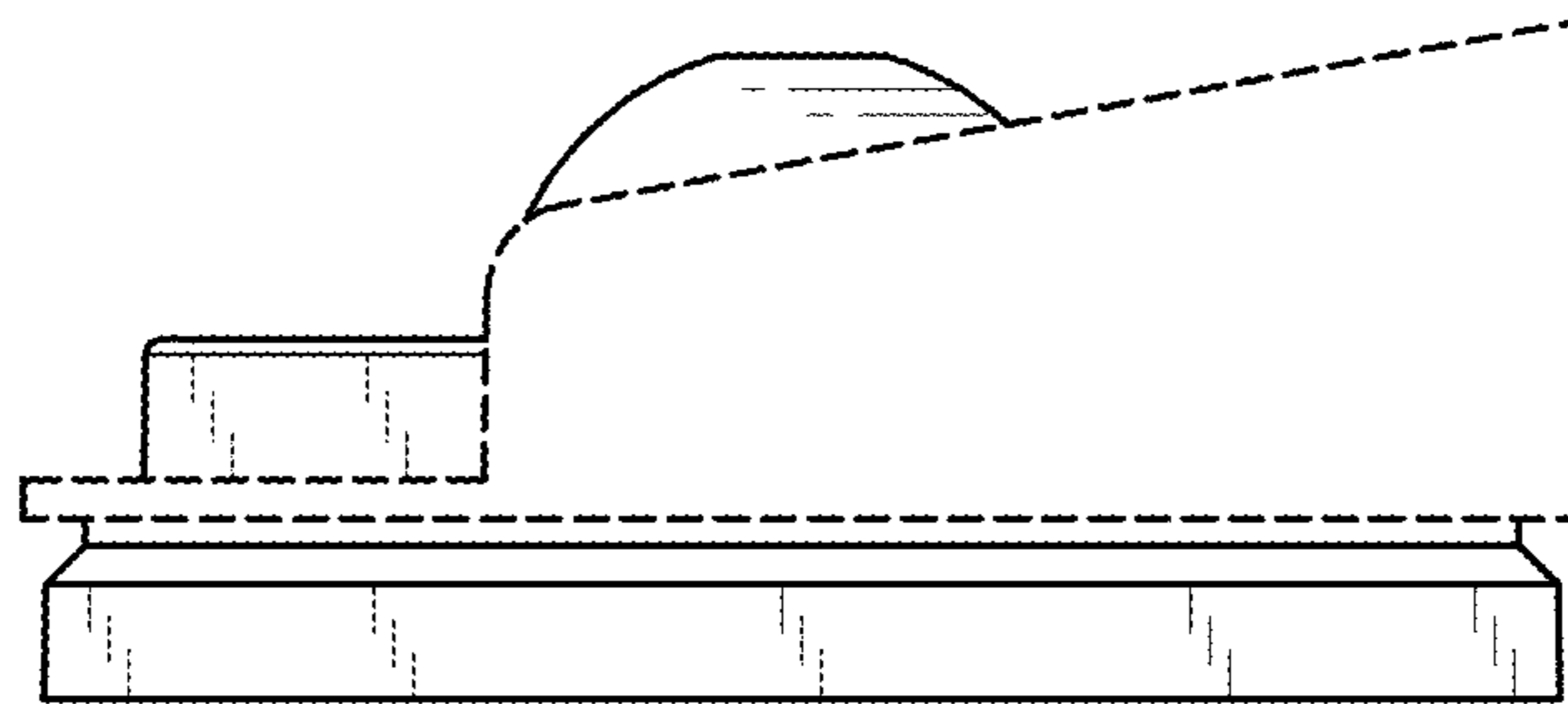


FIG. 13

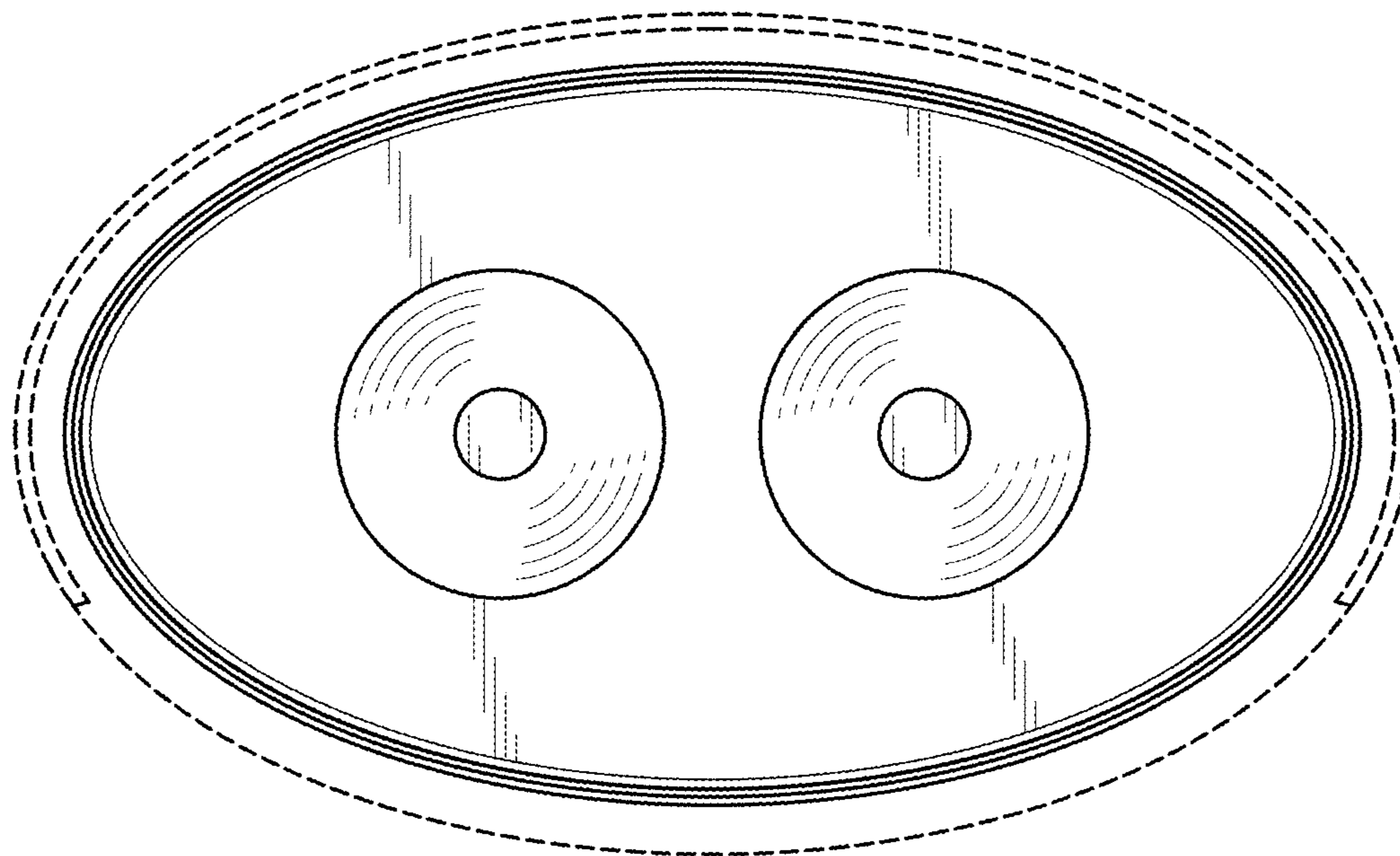


FIG. 14

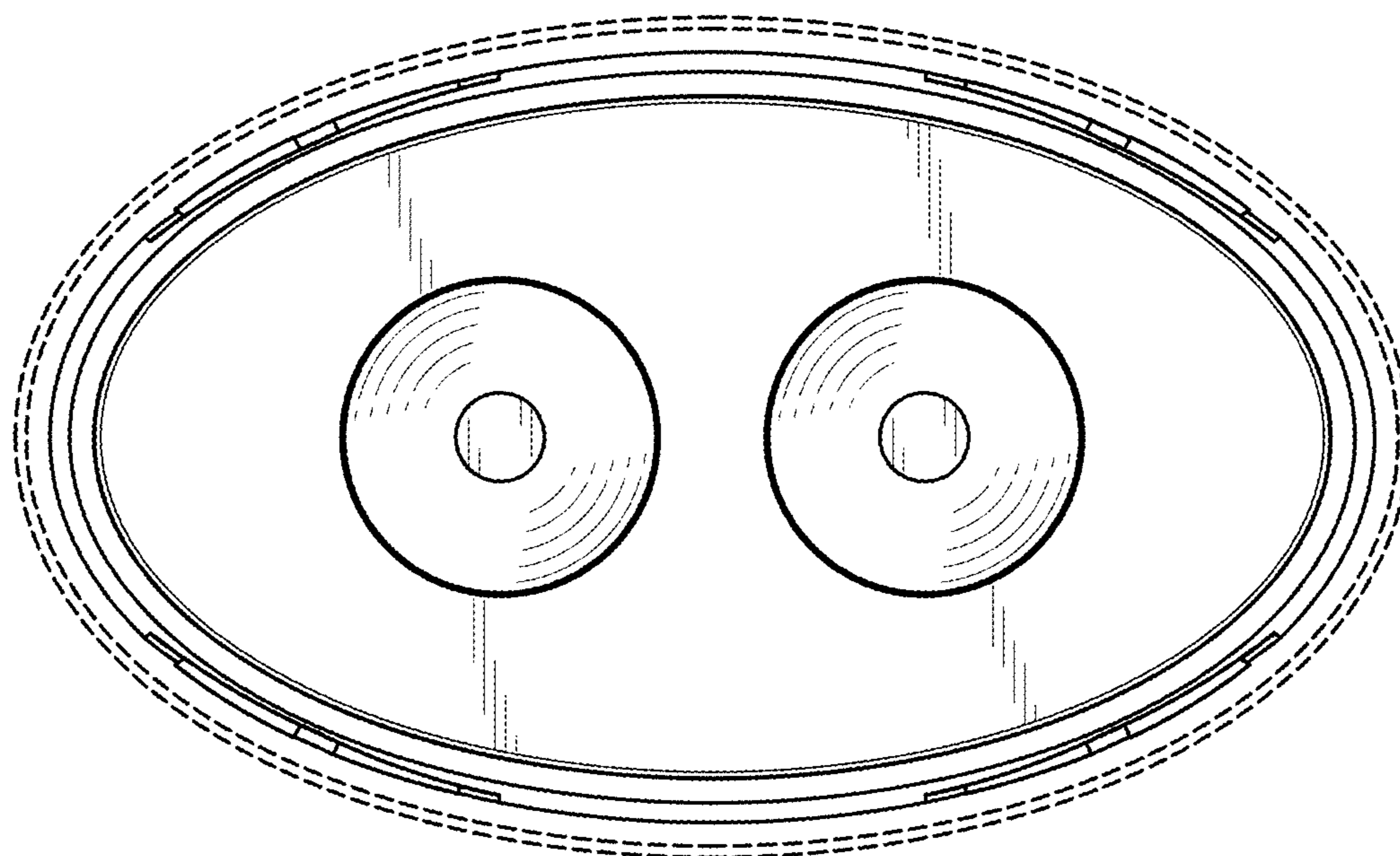


FIG. 15

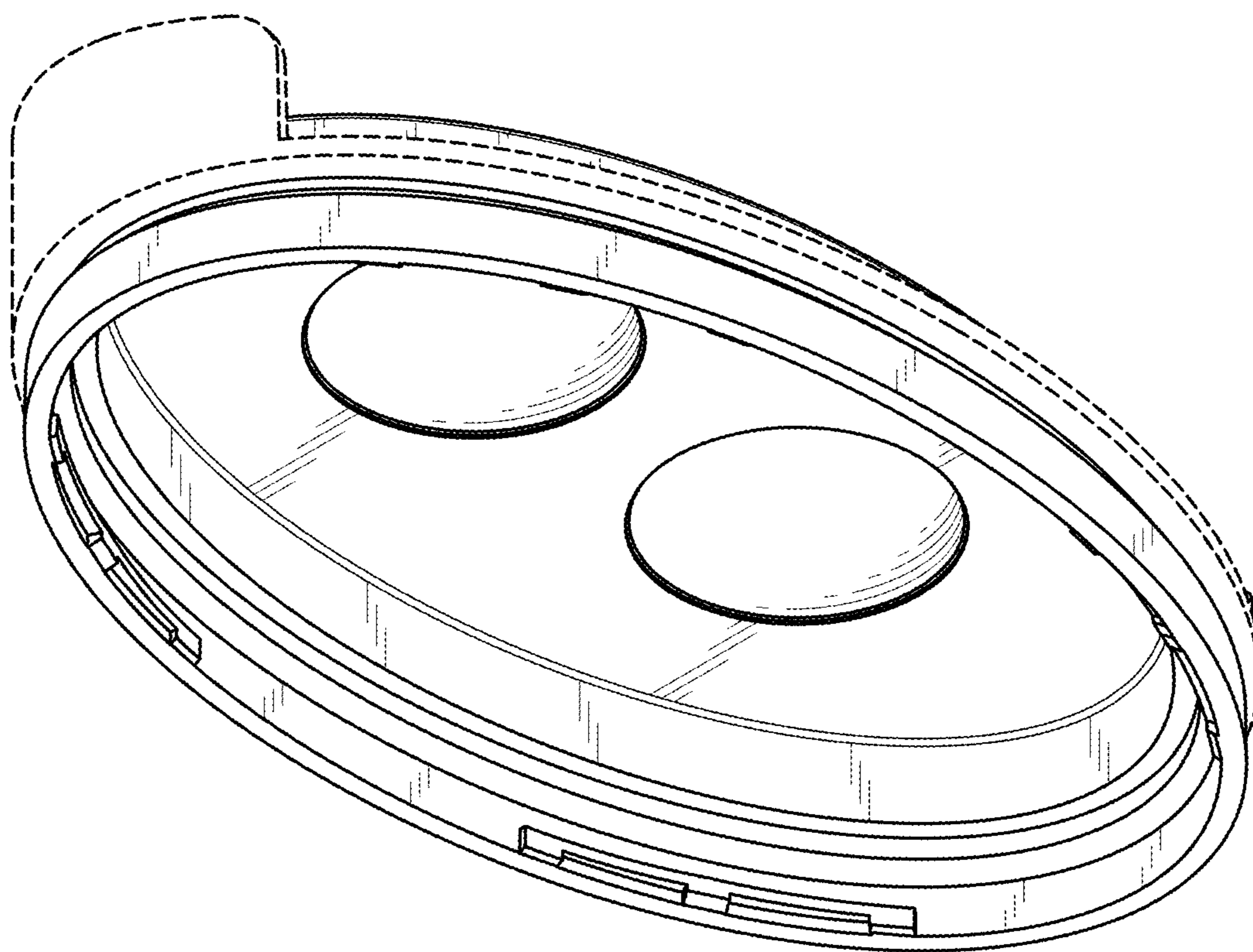


FIG. 16