



US00D900792S

(12) **United States Design Patent** (10) **Patent No.:** **US D900,792 S**
Adela et al. (45) **Date of Patent:** **** Nov. 3, 2020**

(54) **ANTENNA**
(71) Applicant: **ANTENNA COMPANY**, Eindhoven (NL)
(72) Inventors: **Bedilu Adela**, Noord-Brabant (NL); **Daniel Cringus**, Noord-Brabant (NL); **Diego Caratelli**, Duizel (NL)
(73) Assignee: **ANTENNA COMPANY**, Eindhoven (NL)
(**) Term: **15 Years**
(21) Appl. No.: **29/684,161**
(22) Filed: **Mar. 19, 2019**
(51) **LOC (12) Cl.** **14-03**
(52) **U.S. Cl.**
USPC **D14/230**
(58) **Field of Classification Search**
USPC D14/138, 230-238, 299, 358; D12/42, D12/43
CPC H01Q 7/00; H01Q 13/10; H01Q 9/285; H01Q 19/30; H01Q 19/12; H01Q 1/38; H01Q 1/36; H01Q 2/0027; H01Q 1/48; H01Q 9/045; H01Q 1/243; H04B 1/0475; H04B 1/034; H05K 11/00
See application file for complete search history.

D766,882 S *	9/2016	Schulteis	D14/230
D768,116 S *	10/2016	Zheng	D14/230
D768,117 S *	10/2016	Yang	D14/230
D786,840 S *	5/2017	He	D14/230
D793,373 S *	8/2017	Iellici	D14/230
D793,997 S *	8/2017	Poddaturi	D14/230
D802,569 S *	11/2017	Zheng	D14/230
D823,285 S *	7/2018	Montgomery	D14/230
D843,985 S *	3/2019	Zheng	D14/230
D856,312 S *	8/2019	Iellici	D14/230
D859,371 S *	9/2019	Montgomery	D14/230
2008/0266180 A1 *	10/2008	Wu	H01Q 1/243 343/700 MS
2008/0266189 A1 *	10/2008	Wu	H01Q 21/29 343/702
2010/0253582 A1 *	10/2010	Nozawa	H01Q 1/243 343/702
2011/0006950 A1 *	1/2011	Park	H01Q 9/0407 343/700 MS
2012/0242546 A1 *	9/2012	Hu	H01Q 1/243 343/700 MS

* cited by examiner

Primary Examiner — John Windmuller
(74) *Attorney, Agent, or Firm* — Innovation Capital Law Group, LLP; Vic Lin

(57) **CLAIM**

The ornamental design for an antenna, as shown and described.

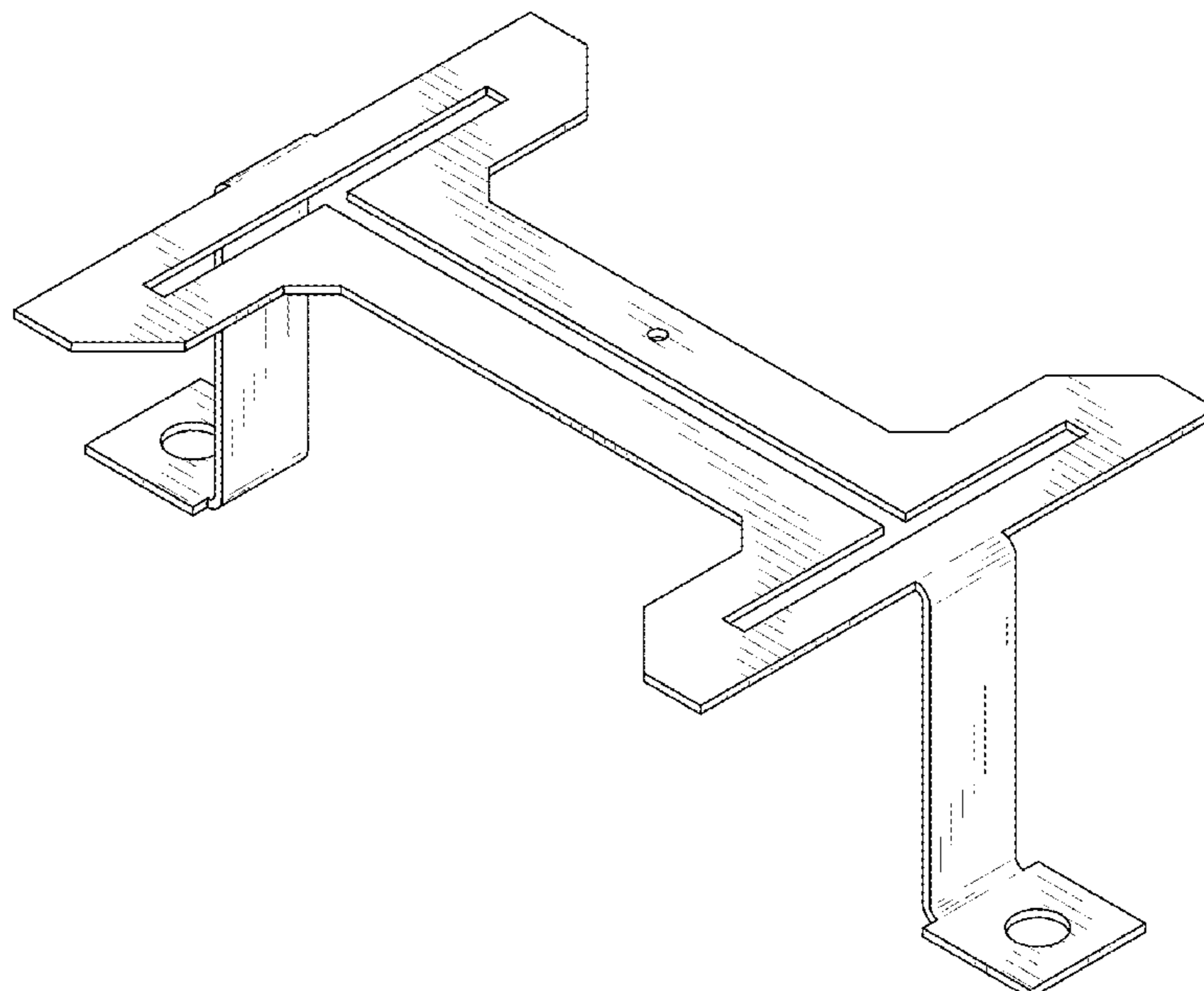
DESCRIPTION

FIG. 1 is a front elevation view of an antenna, the rear elevation view of which is identical; FIG. 2 is a right side elevation view thereof, the left side elevation view of which is identical; FIG. 3 is a top plan view thereof; FIG. 4 is a bottom plan view thereof; and, FIG. 5 is a top perspective view thereof.

1 Claim, 5 Drawing Sheets

(56) **References Cited**
U.S. PATENT DOCUMENTS

D573,589 S *	7/2008	Montgomery	D14/230
D603,851 S *	11/2009	Montgomery	D14/230
D676,429 S *	2/2013	Gosalia	D14/230
D706,247 S *	6/2014	Zheng	D14/230
D706,751 S *	6/2014	Chang	D14/230
D707,665 S *	6/2014	Chu	D14/230
D709,053 S *	7/2014	Chang	D14/230



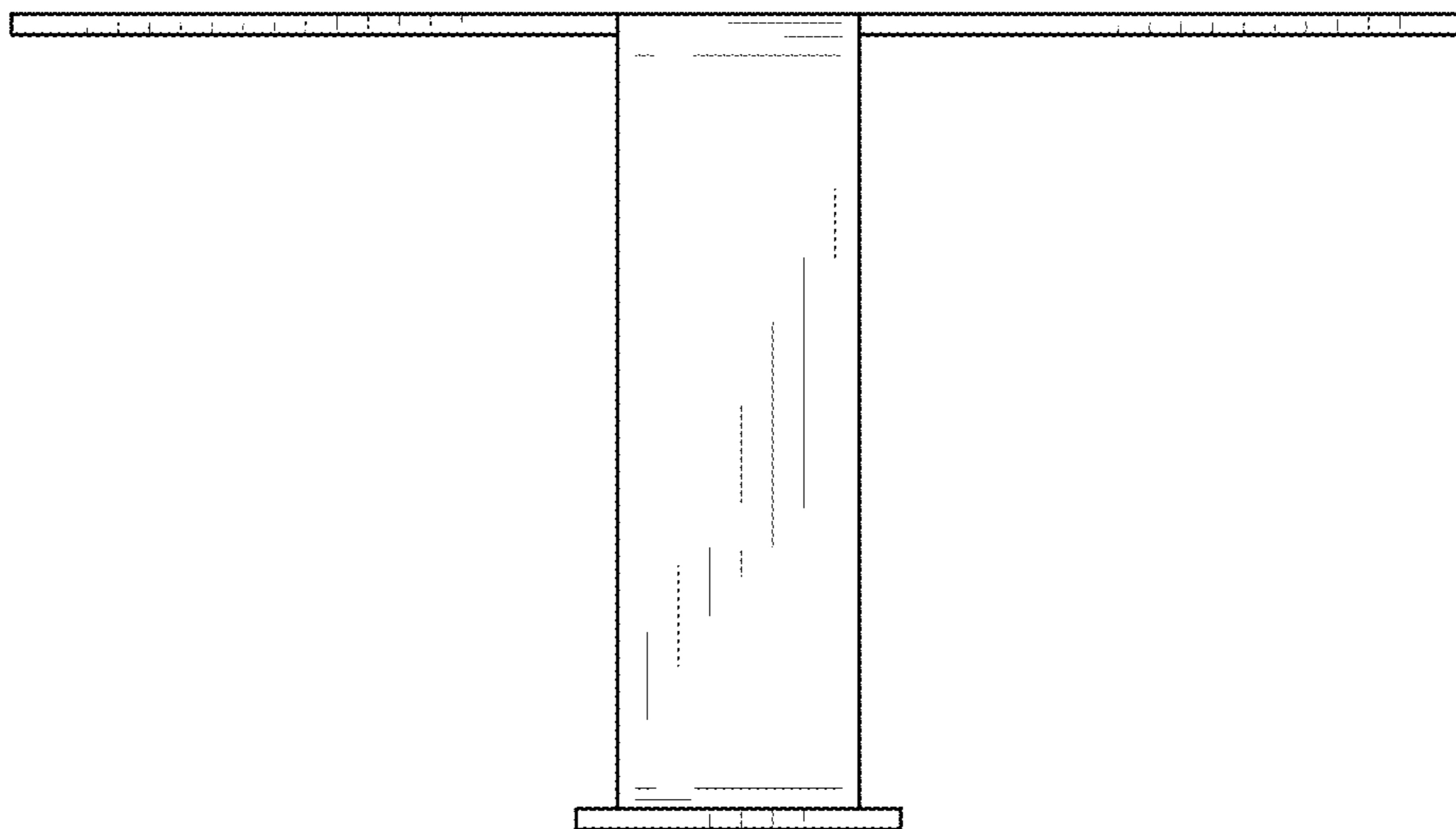


FIG. 1

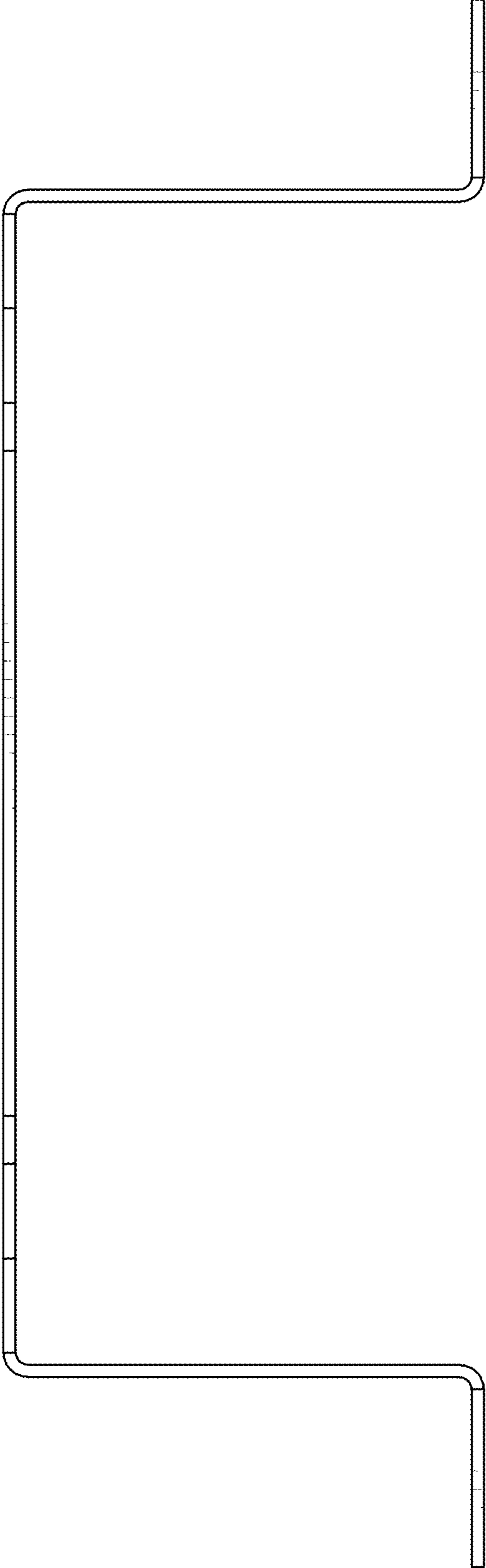


FIG. 2

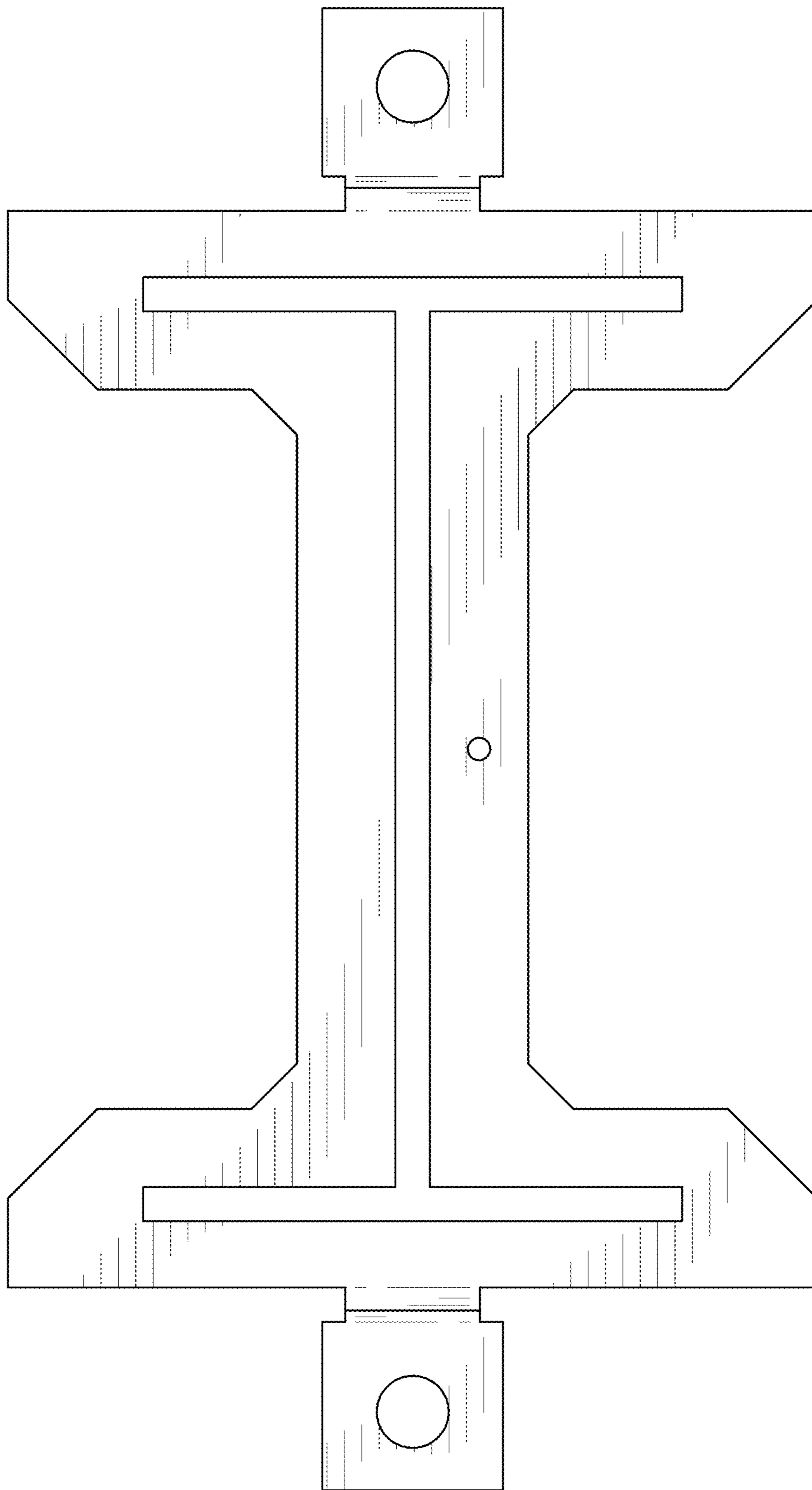


FIG. 3

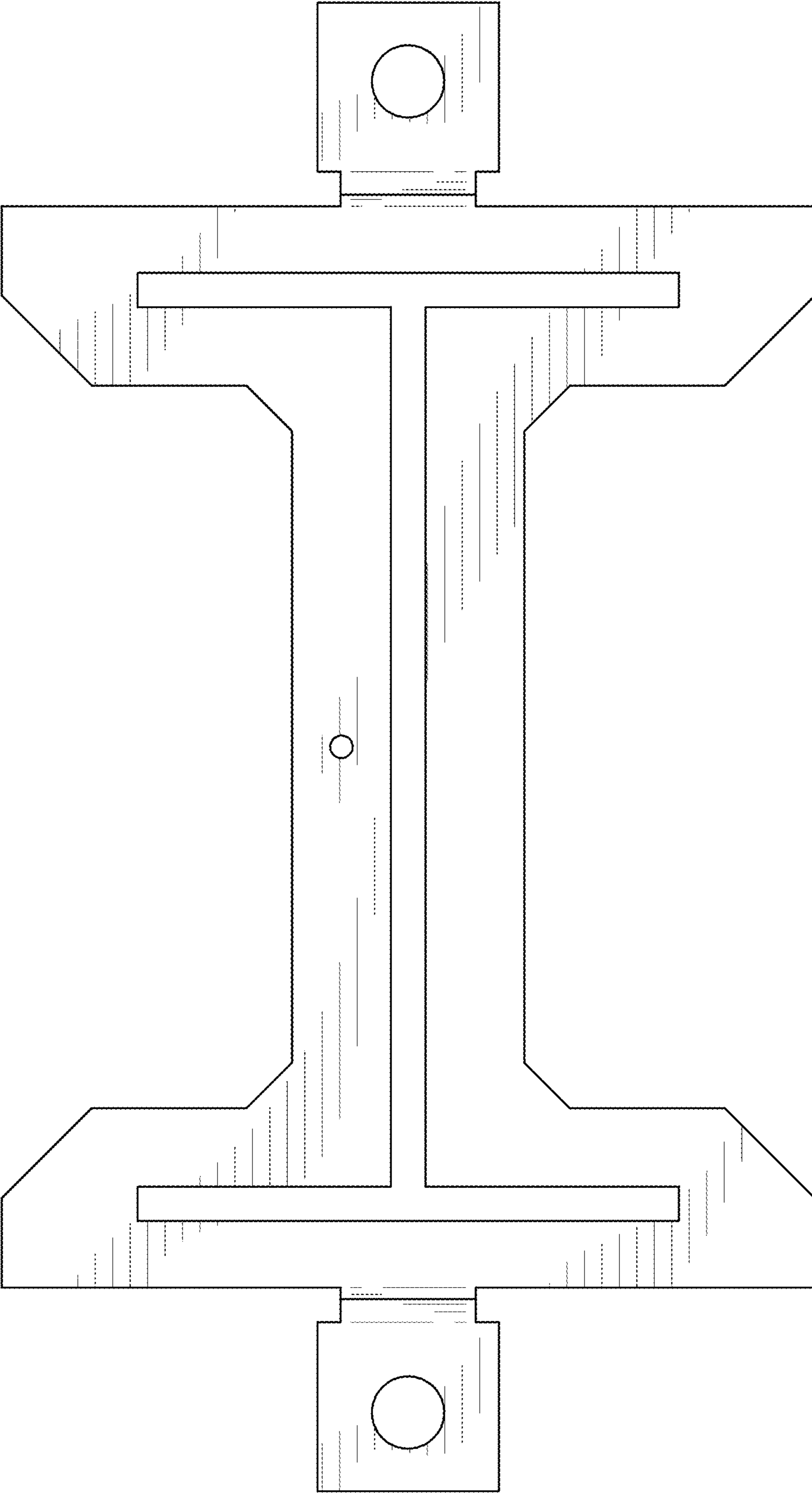


FIG. 4

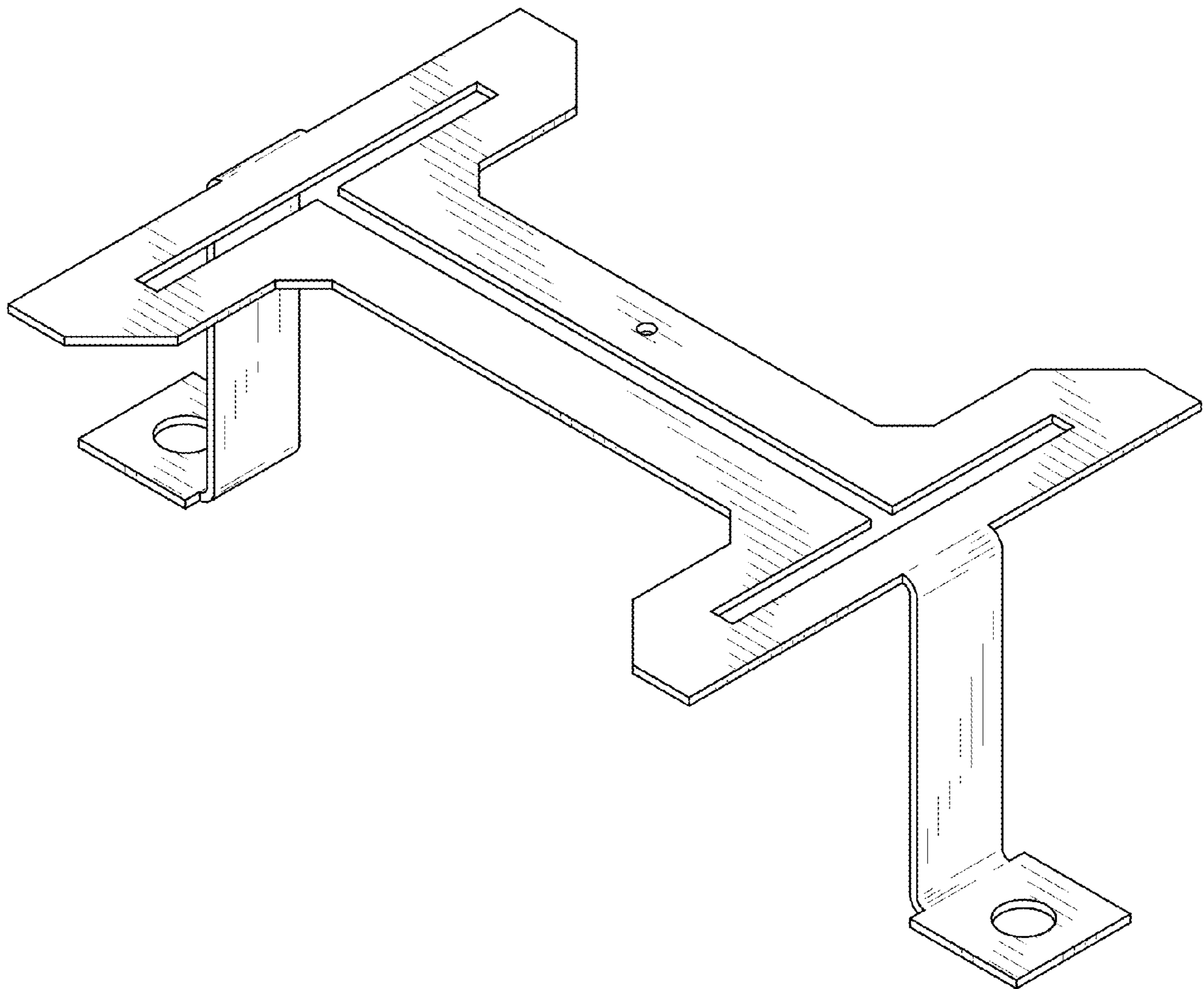


FIG. 5