



US00D900789S

(12) **United States Design Patent** (10) **Patent No.:** **US D900,789 S**  
**Chen** (45) **Date of Patent:** **\*\* Nov. 3, 2020**

(54) **CONTROLLER**

(71) Applicant: **Liyan Chen**, Shenzhen (CN)

(72) Inventor: **Liyan Chen**, Shenzhen (CN)

(\*\*) Term: **15 Years**

(21) Appl. No.: **29/738,045**

(22) Filed: **Jun. 15, 2020**

(51) **LOC (12) Cl.** ..... **14-03**

(52) **U.S. Cl.**

USPC ..... **D14/218**; D13/168

(58) **Field of Classification Search**

USPC ..... D13/108, 137.3, 138.1, 153, 168, 171;  
D14/155, 188, 205, 206, 217, 218, 223,  
D14/225, 240, 433

CPC .... H03J 1/0025; H03J 9/00; H03J 9/02; H03J  
9/04; H03J 9/06; H01H 9/0228; H01H  
9/0235; H01H 15/24; H04B 1/202; G05B  
11/01; G08C 17/00; G08C 17/02; G08C  
19/28; G08C 23/04; H04M 1/6058; H04R  
1/1041

See application file for complete search history.

(56) **References Cited**

**U.S. PATENT DOCUMENTS**

D586,753 S *	2/2009	Diamond	.....	D13/147
D626,921 S *	11/2010	Pang	.....	D13/158
D658,154 S *	4/2012	Durocher	.....	D14/188
D668,610 S *	10/2012	Li	.....	D13/133
D676,815 S	2/2013	Gettings		
D730,873 S *	6/2015	Petterson	.....	D14/218
D761,262 S *	7/2016	Solomon	.....	D14/433
D796,484 S *	9/2017	Chen	.....	D14/218
D818,971 S *	5/2018	Peng	.....	D13/171
D821,983 S *	7/2018	Shah	.....	D13/168
D822,643 S *	7/2018	Chen	.....	D14/218
D825,531 S *	8/2018	Nokuo	.....	D14/218
D830,979 S *	10/2018	Hung	.....	D13/171
D840,954 S *	2/2019	Wu	.....	D13/168
D867,335 S *	11/2019	Lee	.....	D14/218
D867,367 S *	11/2019	Wang	.....	D14/433

D872,090 S *	1/2020	Widiaman	.....	D14/433
D875,692 S *	2/2020	Shi	.....	D13/168
D887,374 S *	6/2020	Gong	.....	D13/168
D891,377 S *	7/2020	Ahrari	.....	D13/168
2003/0107328 A1 *	6/2003	Ling	.....	H05B 41/00 315/276
2011/0050106 A1 *	3/2011	Yang	.....	H05B 39/04 315/133
2011/0193492 A1 *	8/2011	Lin	.....	F21S 4/28 315/294
2014/0254848 A1 *	9/2014	Petterson	.....	H04R 1/1033 381/334

**OTHER PUBLICATIONS**

Under Cabinet Connectors-DEKOR Lighting; google search, before Aug. 18, 2020; 1 pg. [https://www.google.com/search?q=led+controller+with+multiport+cables+before%3A2020-08-18&tbm=isch&ved=2ahUKEwjw8Z-mj83rAhUvFt8KHYpZCcsQ2-cCegQIABAA&oeq=led+controller+with+multiport+cables+before%3A2020-08-18&gs\\_lcp=CgNpbWcQDFDRoARYjIM.\\*](https://www.google.com/search?q=led+controller+with+multiport+cables+before%3A2020-08-18&tbm=isch&ved=2ahUKEwjw8Z-mj83rAhUvFt8KHYpZCcsQ2-cCegQIABAA&oeq=led+controller+with+multiport+cables+before%3A2020-08-18&gs_lcp=CgNpbWcQDFDRoARYjIM.*)

\* cited by examiner

*Primary Examiner* — Selina Sikder

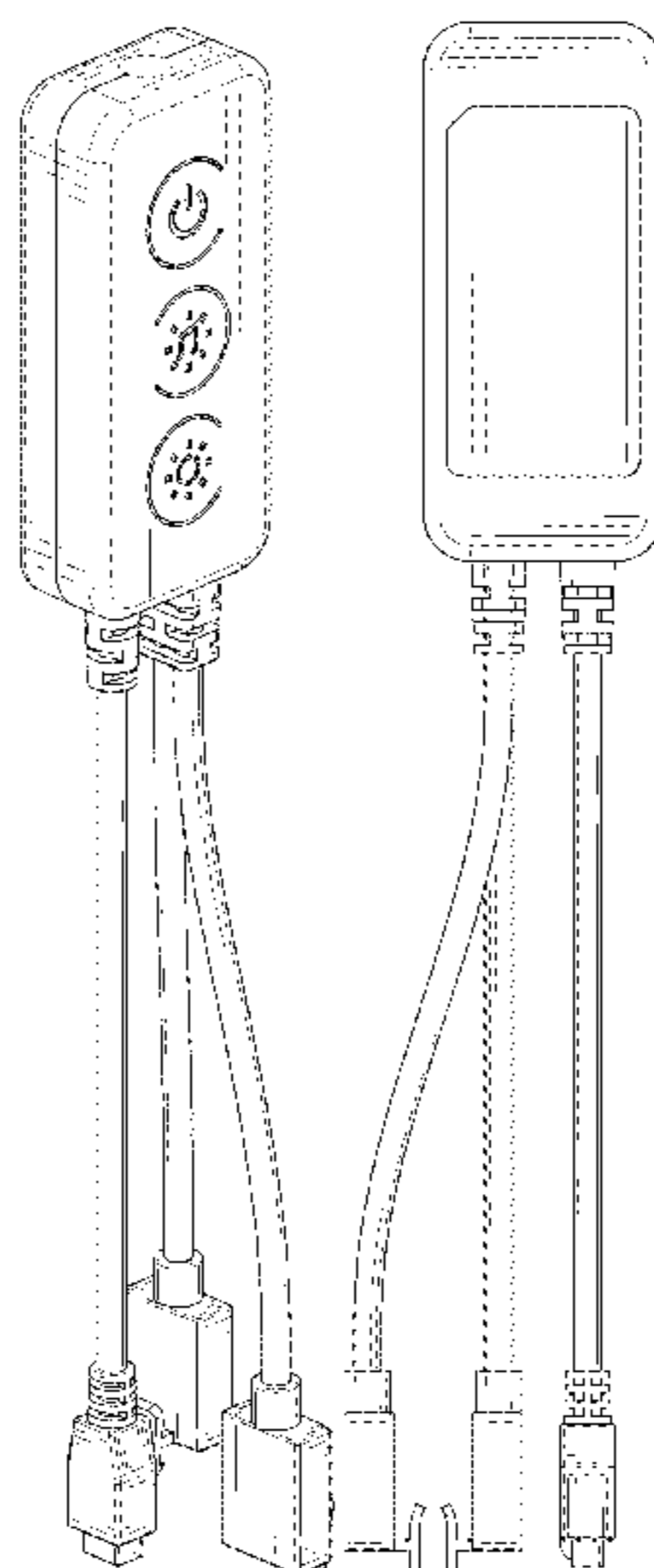
(57) **CLAIM**

The ornamental design for a controller, as shown and described.

**DESCRIPTION**

FIG. 1 is a front and top perspective view of a controller, showing my new design; FIG. 2 is a rear and bottom perspective view thereof; FIG. 3 is a front elevational view thereof; FIG. 4 is a rear elevational view thereof; FIG. 5 is a left side elevational view thereof; FIG. 6 is a right side elevational view thereof; FIG. 7 is a top plan view thereof; and, FIG. 8 is a bottom plan view thereof. The broken lines in the figures illustrate portions of the article that form no part of the claimed design.

**1 Claim, 8 Drawing Sheets**



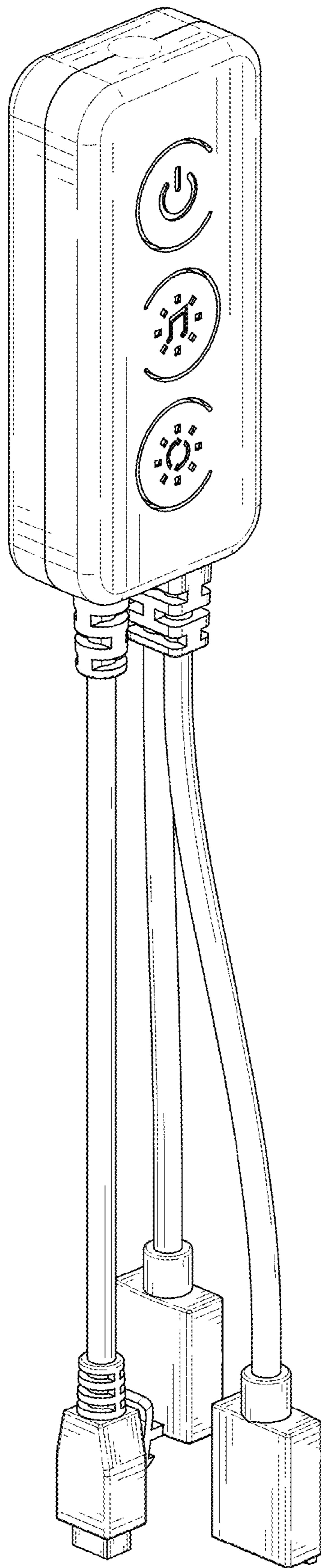


FIG. 1

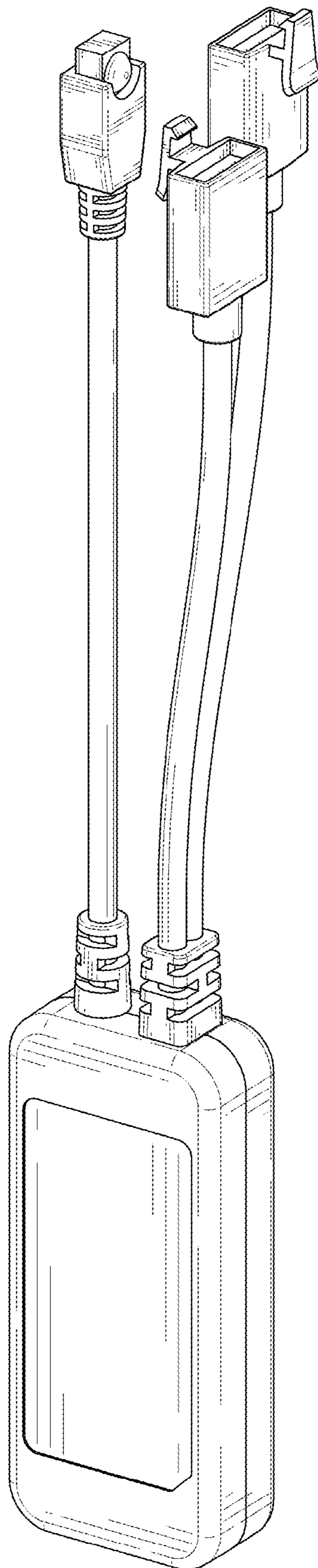


FIG. 2

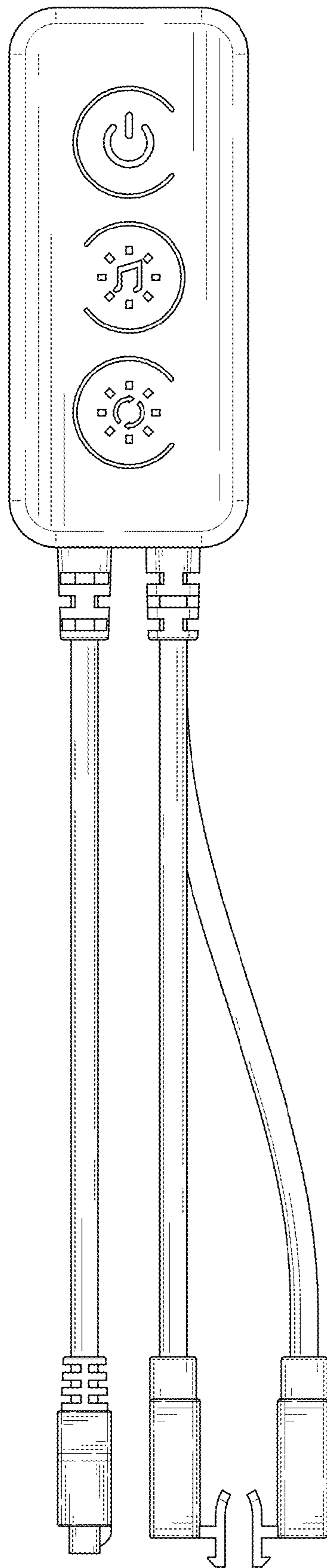


FIG. 3

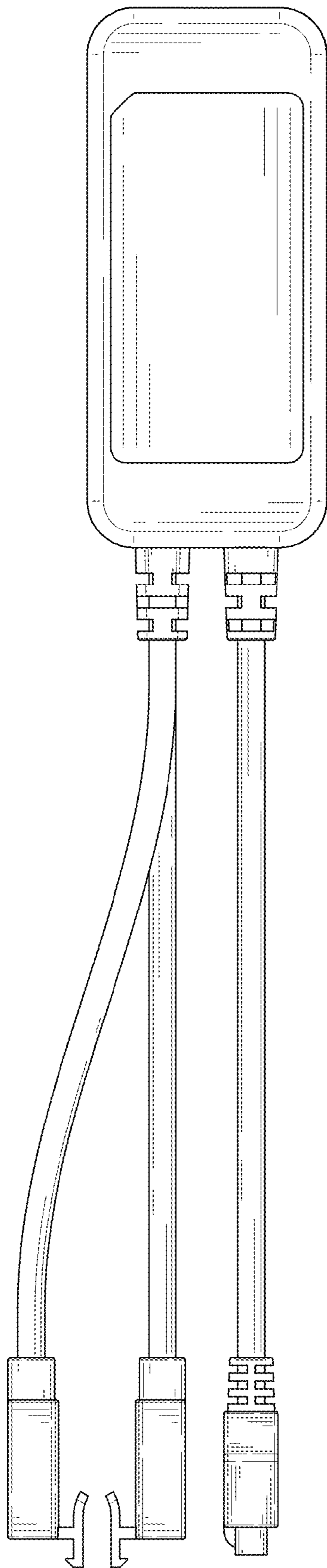


FIG. 4

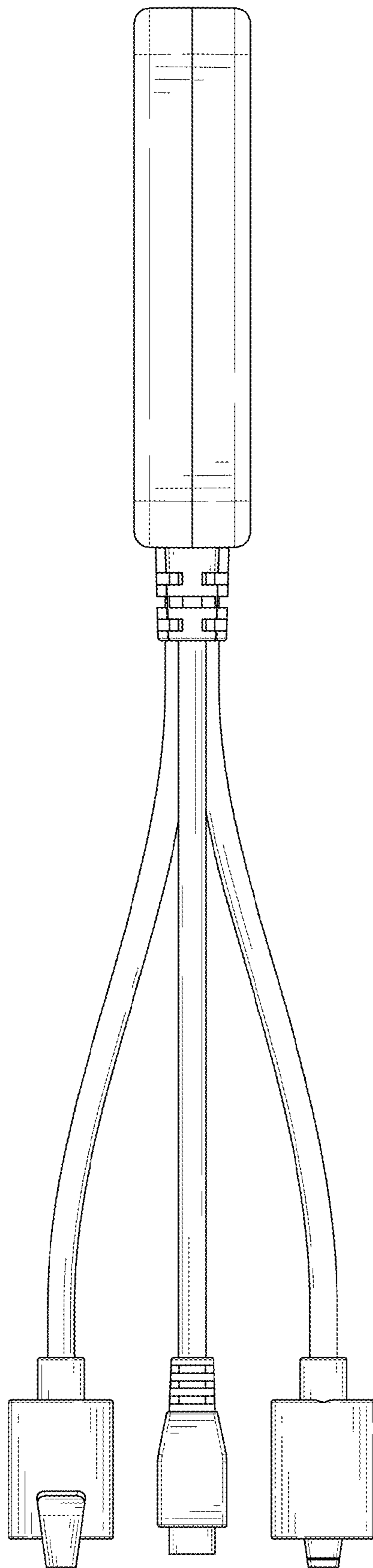


FIG. 5

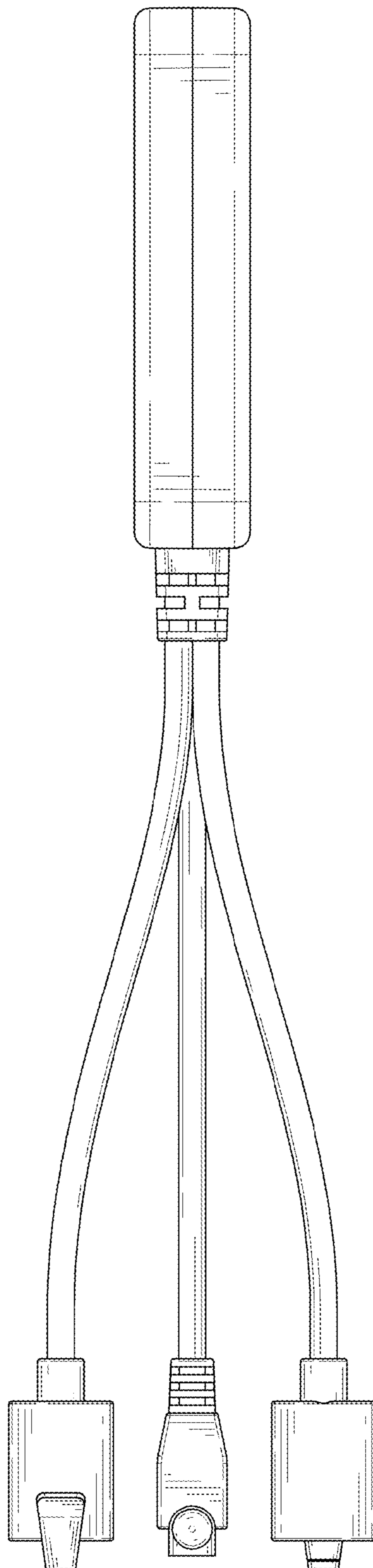


FIG. 6

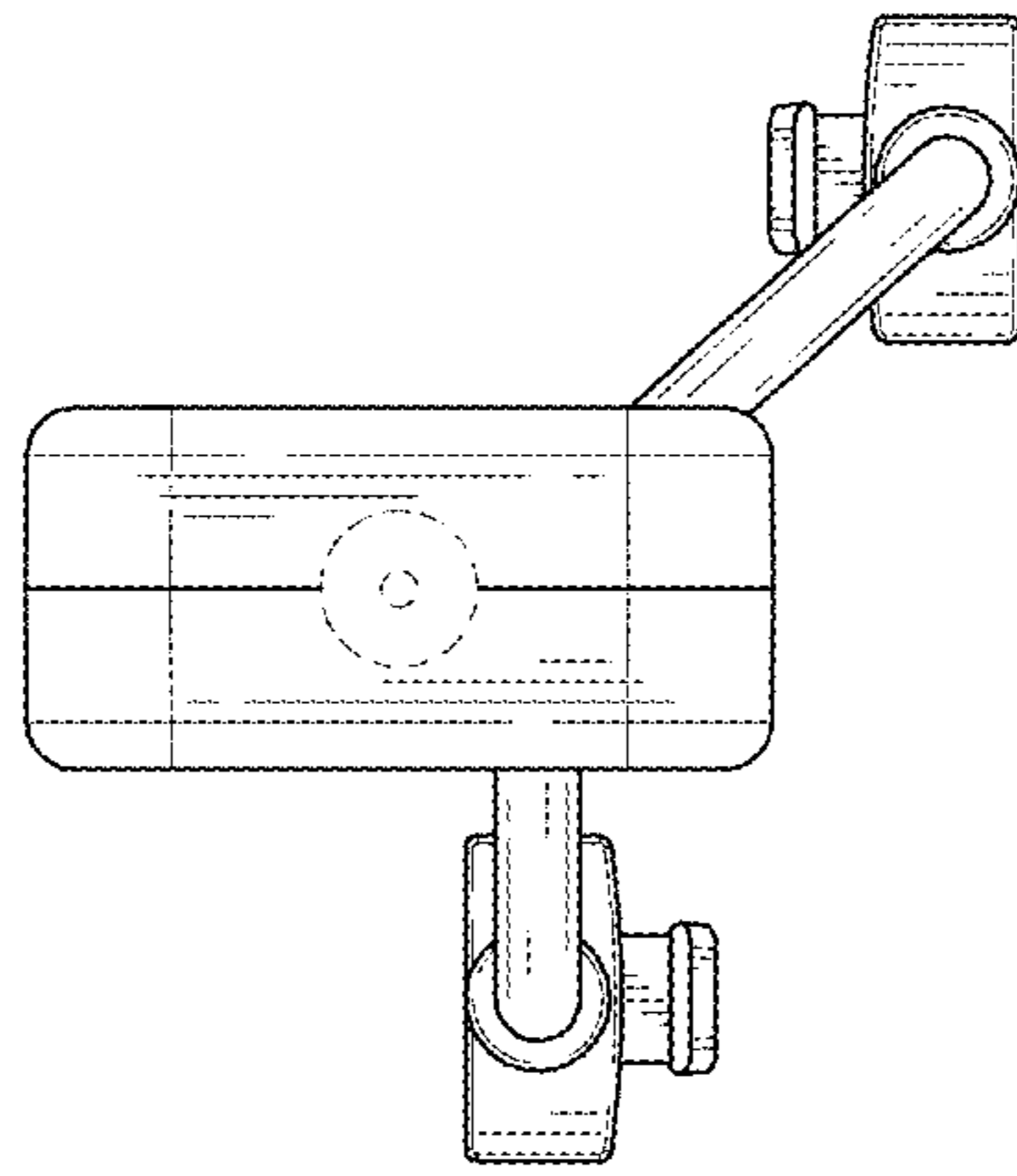


FIG. 7



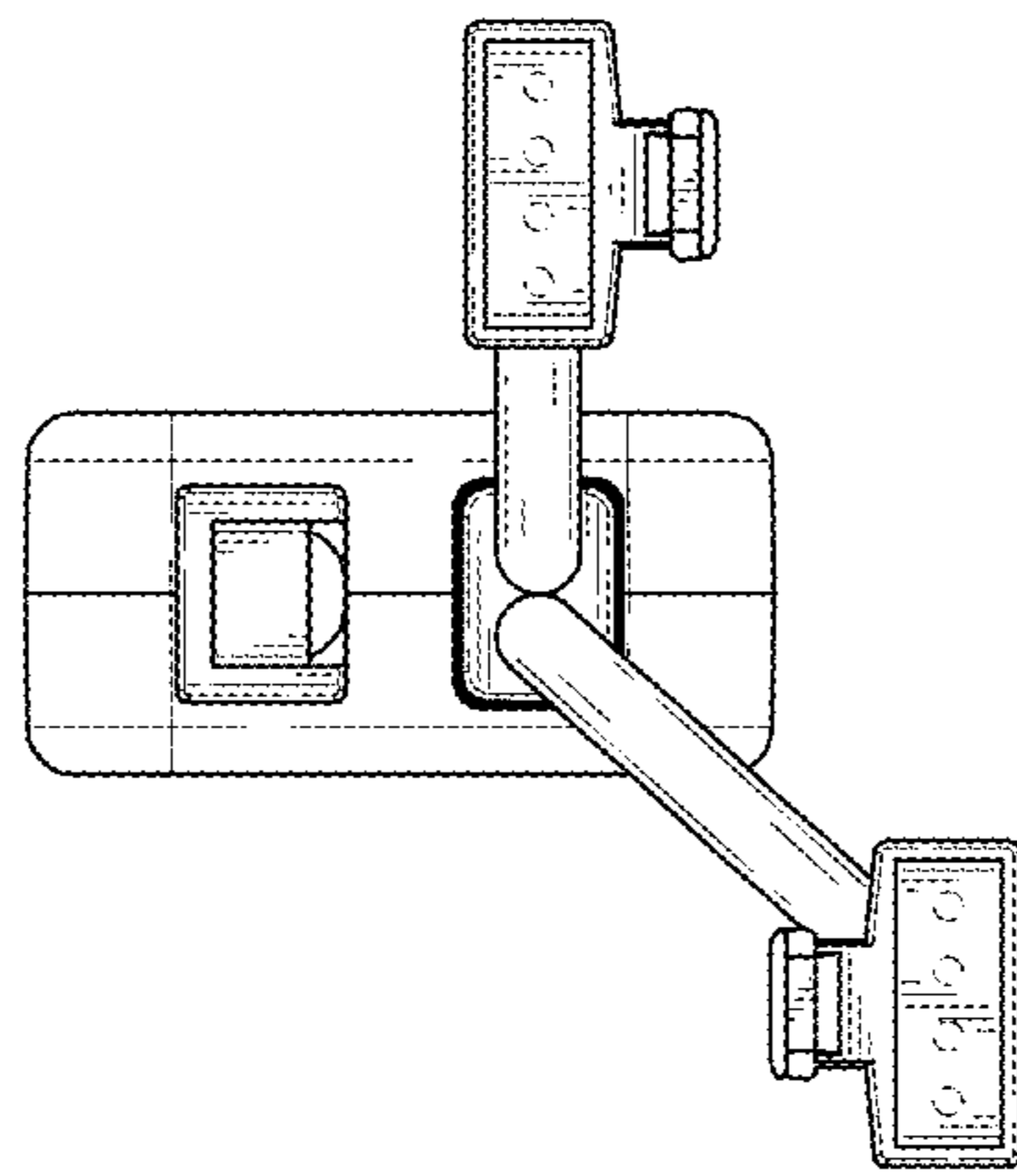


FIG. 8