



US00D900788S

(12) **United States Design Patent**  
**Wang**

(10) **Patent No.:** **US D900,788 S**

(45) **Date of Patent:** **\*\* Nov. 3, 2020**

(54) **WHITE NOISE SLEEP AID MACHINE**

(71) Applicant: **Xiaodong Wang**, Guangdong (CN)

(72) Inventor: **Xiaodong Wang**, Guangdong (CN)

(\*\*) Term: **15 Years**

(21) Appl. No.: **29/734,157**

(22) Filed: **May 8, 2020**

(51) **LOC (12) Cl.** ..... **14-01**

(52) **U.S. Cl.**

USPC ..... **D14/216**

(58) **Field of Classification Search**

USPC ..... D14/167, 168, 170–172, 188, 194–196,  
D14/204, 209.1, 210–216, 219, 221, 222,  
D14/224, 239, 496

CPC ..... B60R 11/0217; G06F 1/1688; G10K 9/22;  
G10K 11/004; H03F 1/327; H04M 1/03;  
H04M 1/035; H04N 5/642; H04N  
21/4852; H04R 1/02; H04R 1/06; H04R  
1/021; H04R 1/025; H04R 1/026; H04R  
1/028; H04R 1/105; H04R 1/323; H04R  
1/403; H04R 1/2803; H04R 1/2834;  
H04R 5/02; H04R 7/20; H04R 9/06;  
H04R 9/025; H04R 2201/021; H04R  
2400/00; H04R 2400/07; H04R 2499/11;  
H04R 2499/13; H04R 2499/15; H04S  
3/00; H04S 7/30

See application file for complete search history.

(56) **References Cited**

**U.S. PATENT DOCUMENTS**

D772,391 S \* 11/2016 Zimmerli ..... D23/366  
D781,798 S \* 3/2017 Klepper ..... D14/125

D815,150 S \* 4/2018 Hu ..... D14/496  
D829,689 S \* 10/2018 Kim ..... D14/216  
D835,600 S \* 12/2018 Weiss ..... D14/204  
D847,373 S \* 4/2019 Hurwit ..... D24/231  
D865,716 S \* 11/2019 Kuang ..... D14/216  
D868,031 S \* 11/2019 Ryu ..... D14/216  
D872,301 S \* 1/2020 Tanner  
D886,079 S \* 6/2020 Feng ..... D14/216  
D886,772 S \* 6/2020 Xiong ..... D14/204  
D886,786 S \* 6/2020 Chen ..... D14/204  
D887,390 S \* 6/2020 Weiss ..... D14/204  
D889,434 S \* 7/2020 Xie ..... D14/216

\* cited by examiner

*Primary Examiner* — Keli L Hill

(74) *Attorney, Agent, or Firm* — Justin Lampel

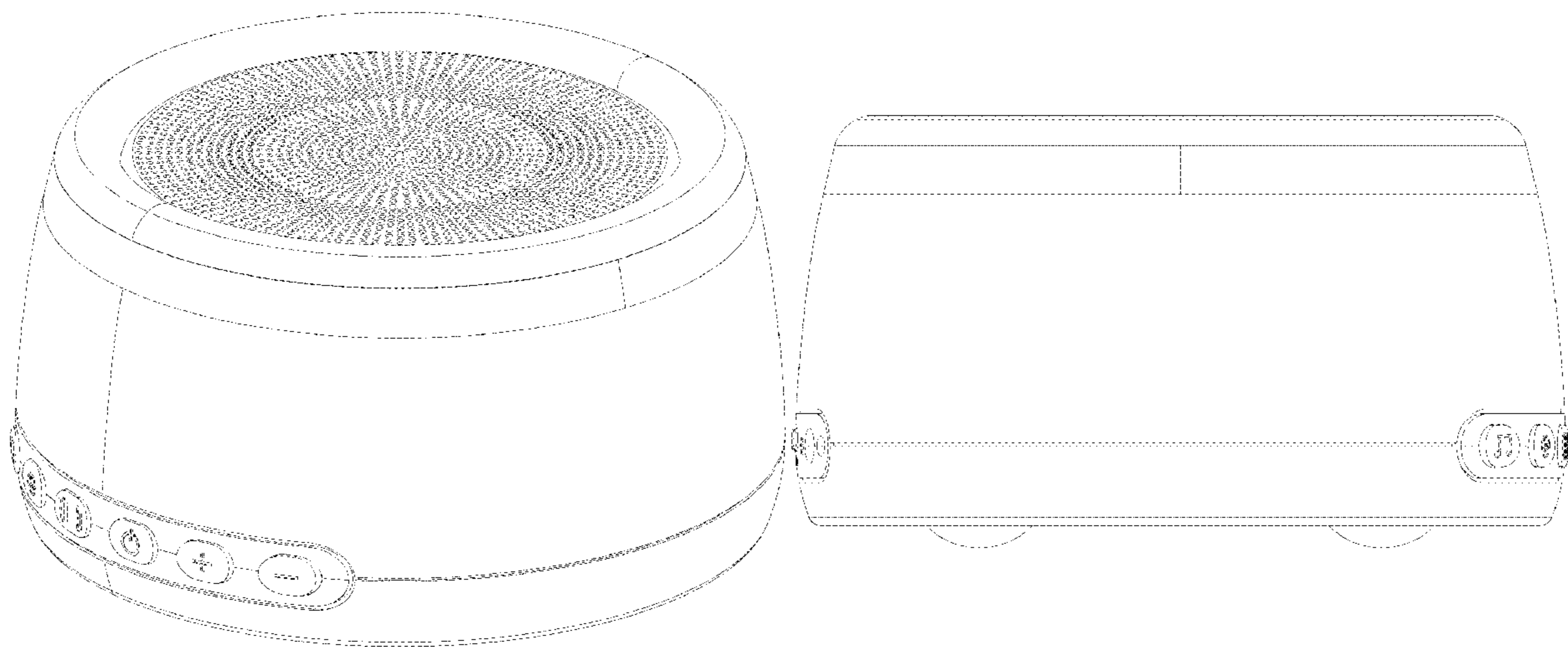
(57) **CLAIM**

The ornamental design for a white noise sleep aid machine, as shown and described.

**DESCRIPTION**

FIG. 1 is a perspective view of a white noise sleep aid machine, showing the claimed design; FIG. 2 is a top plan view thereof; FIG. 3 is a left side view thereof; FIG. 4 is a front elevational view thereof; FIG. 5 is a right side view thereof; FIG. 6 is a rear elevational view thereof; and, FIG. 7 is a bottom plan view thereof.

**1 Claim, 7 Drawing Sheets**



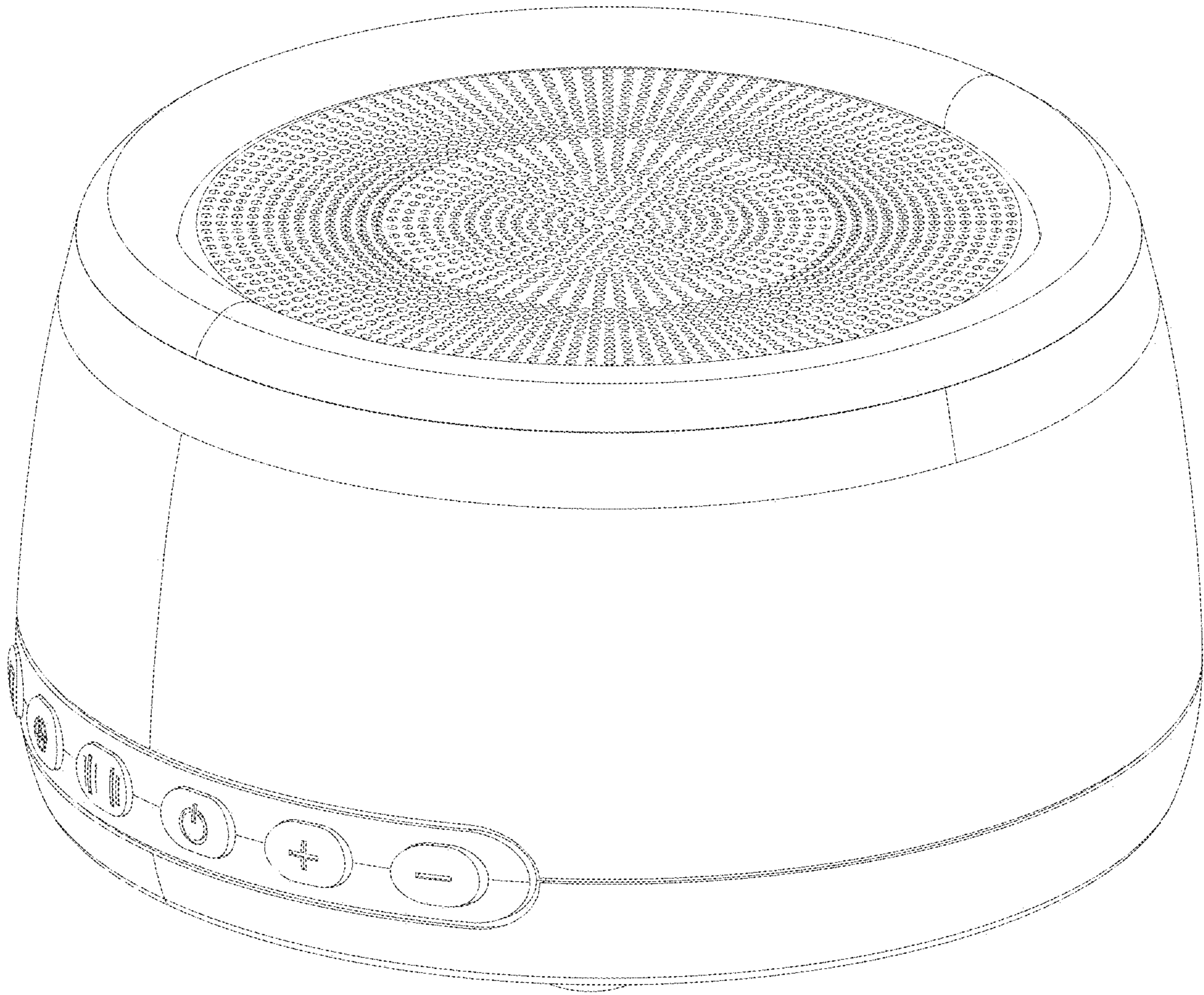


FIG.1

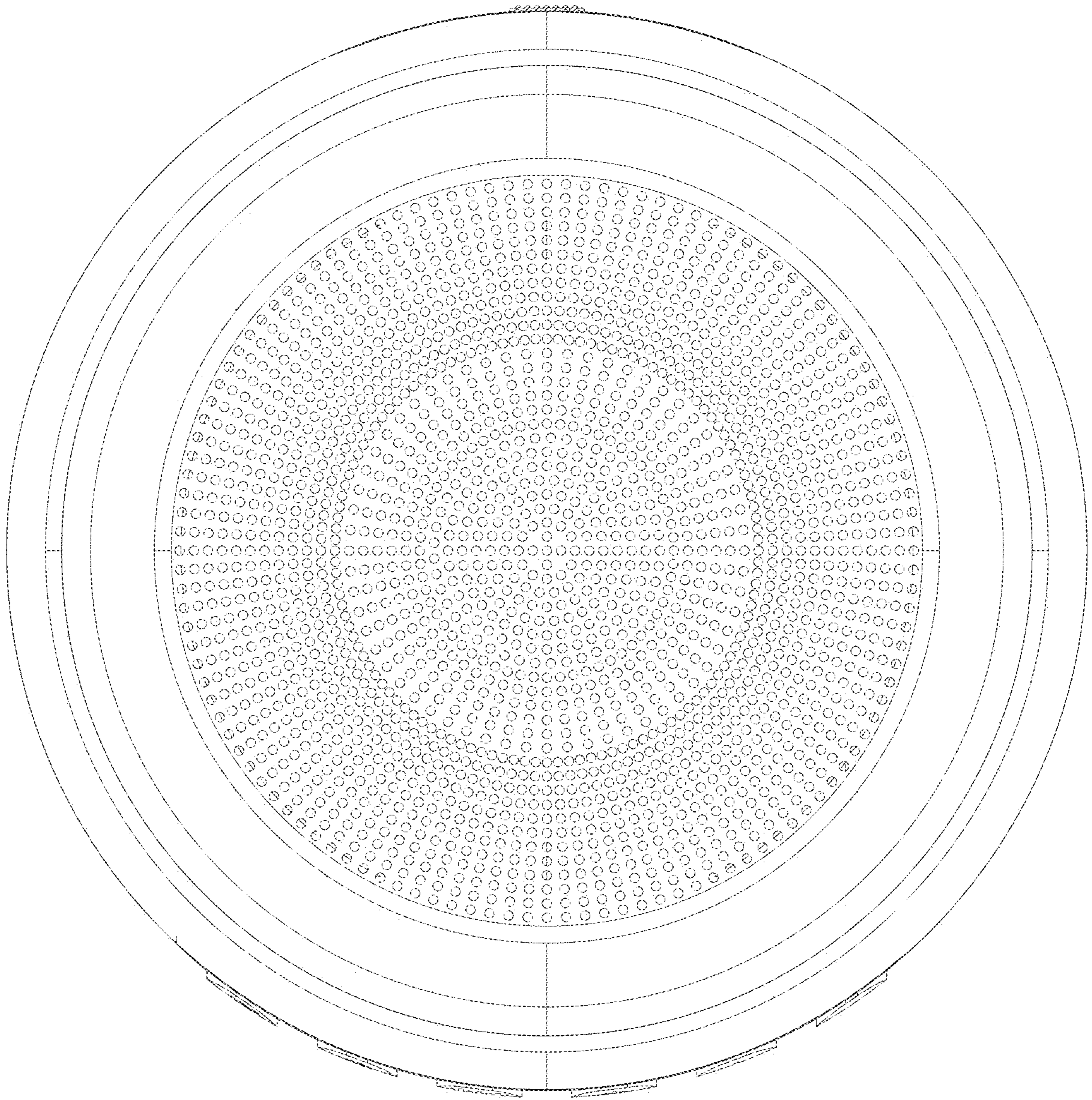


FIG. 2

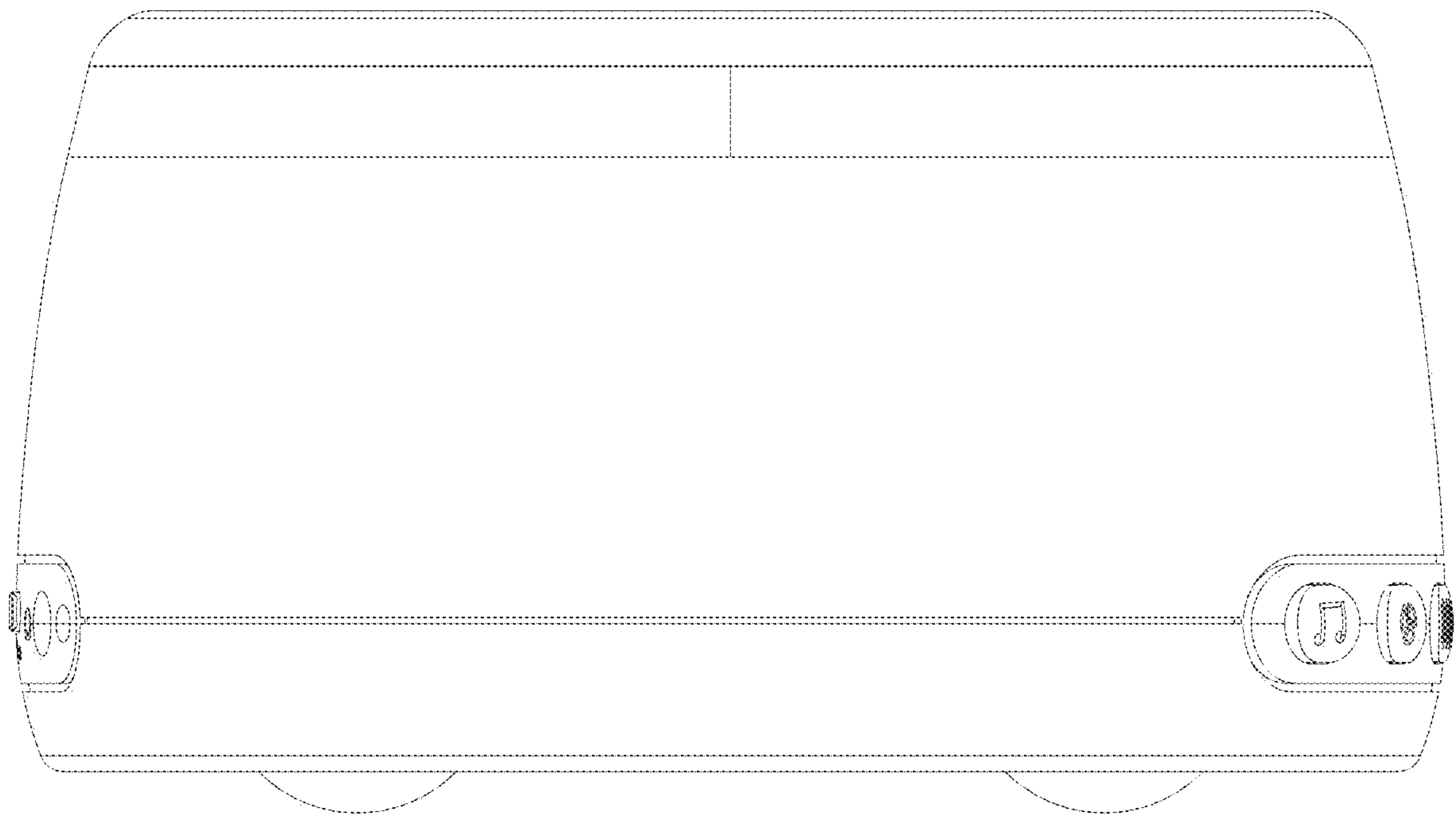


FIG. 3

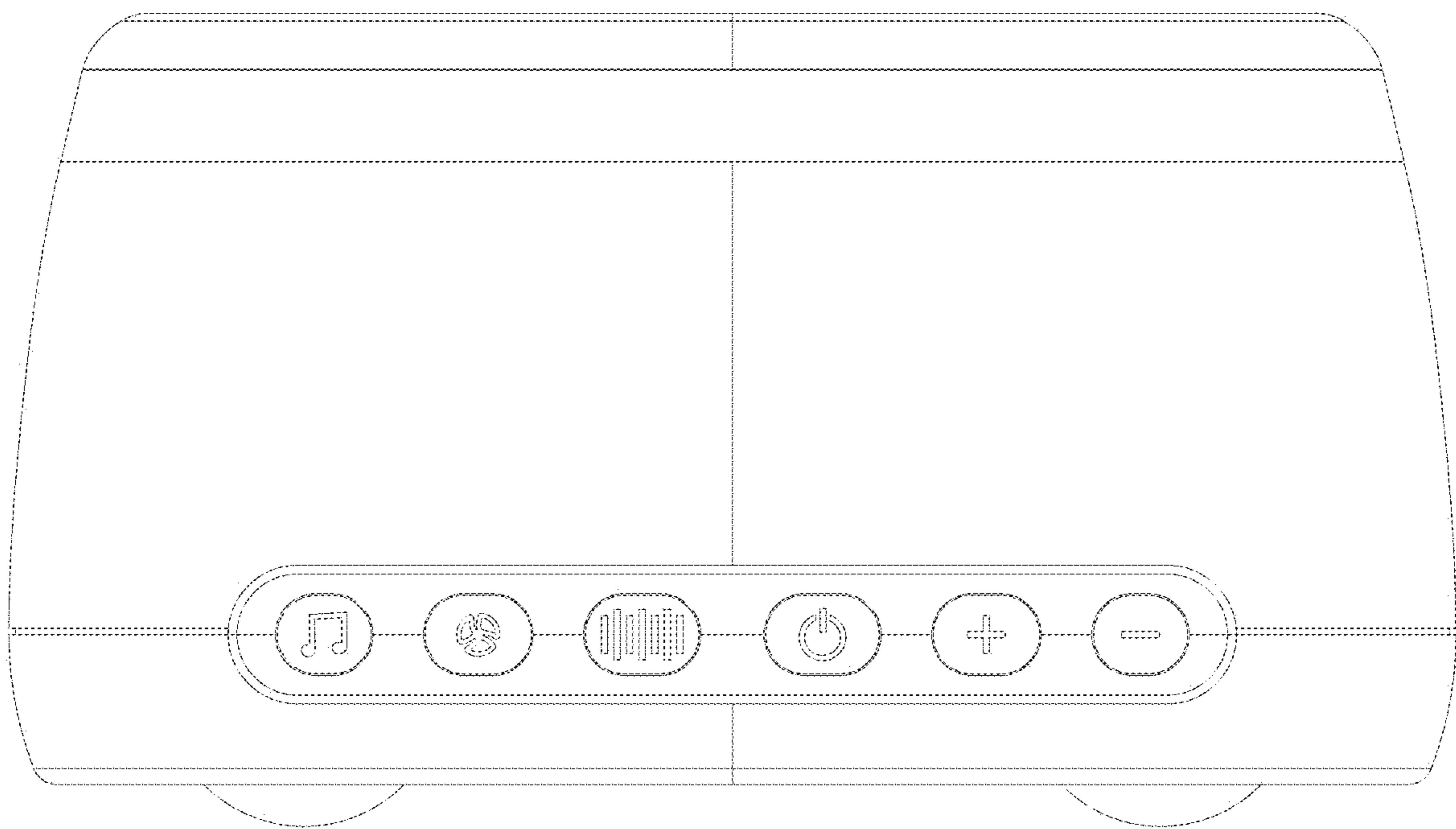


FIG. 4

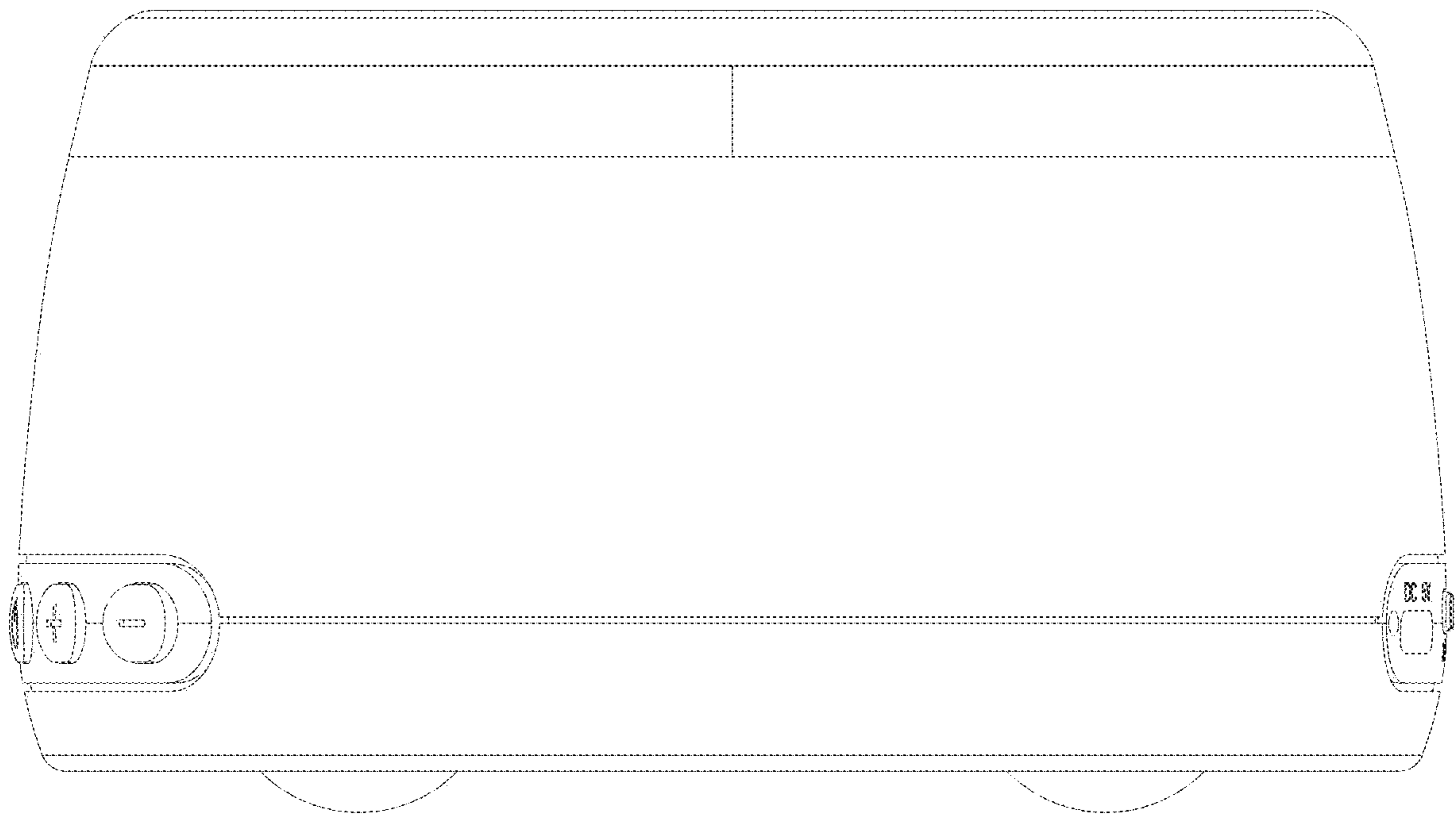


FIG. 5

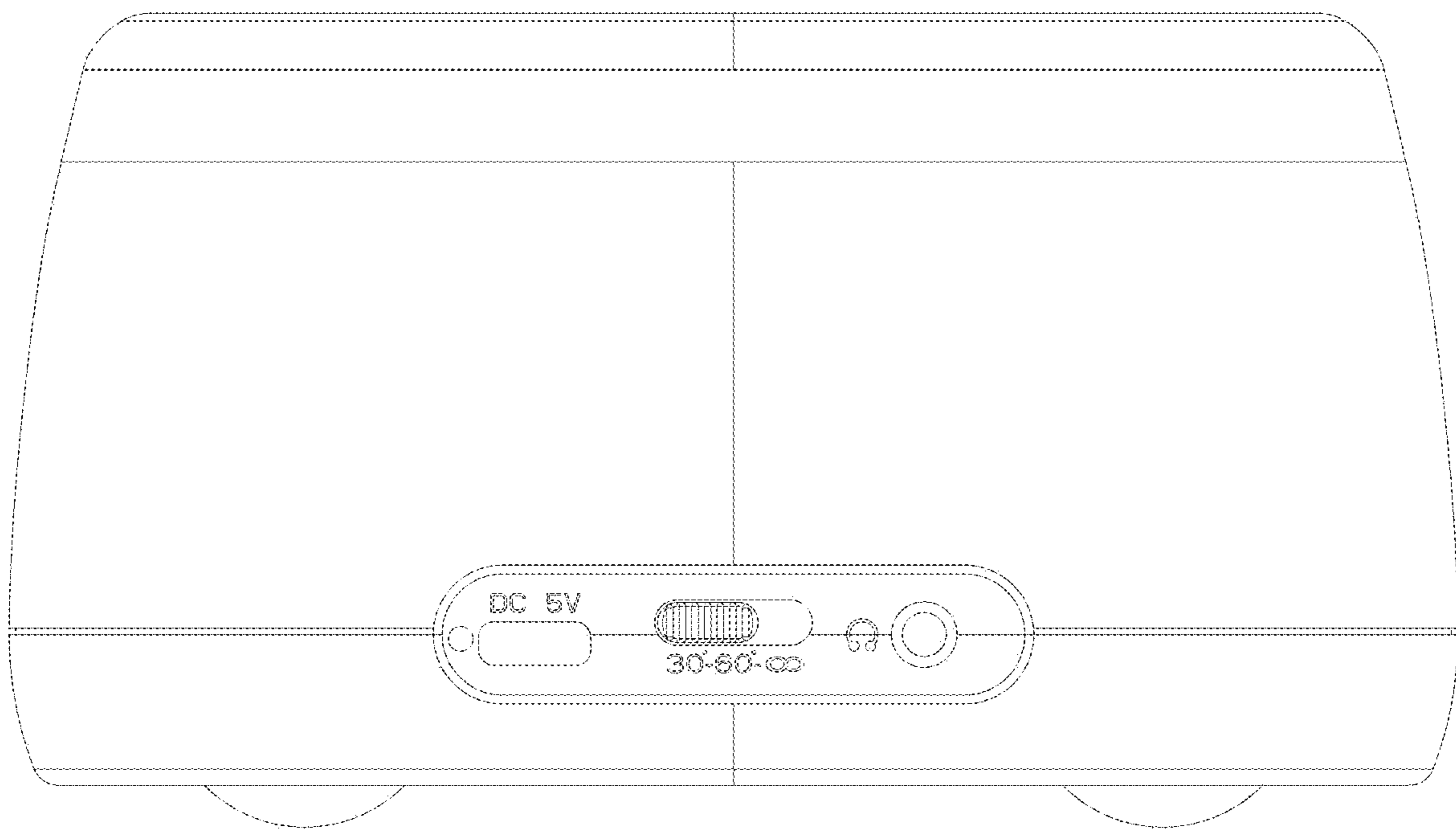


FIG. 6

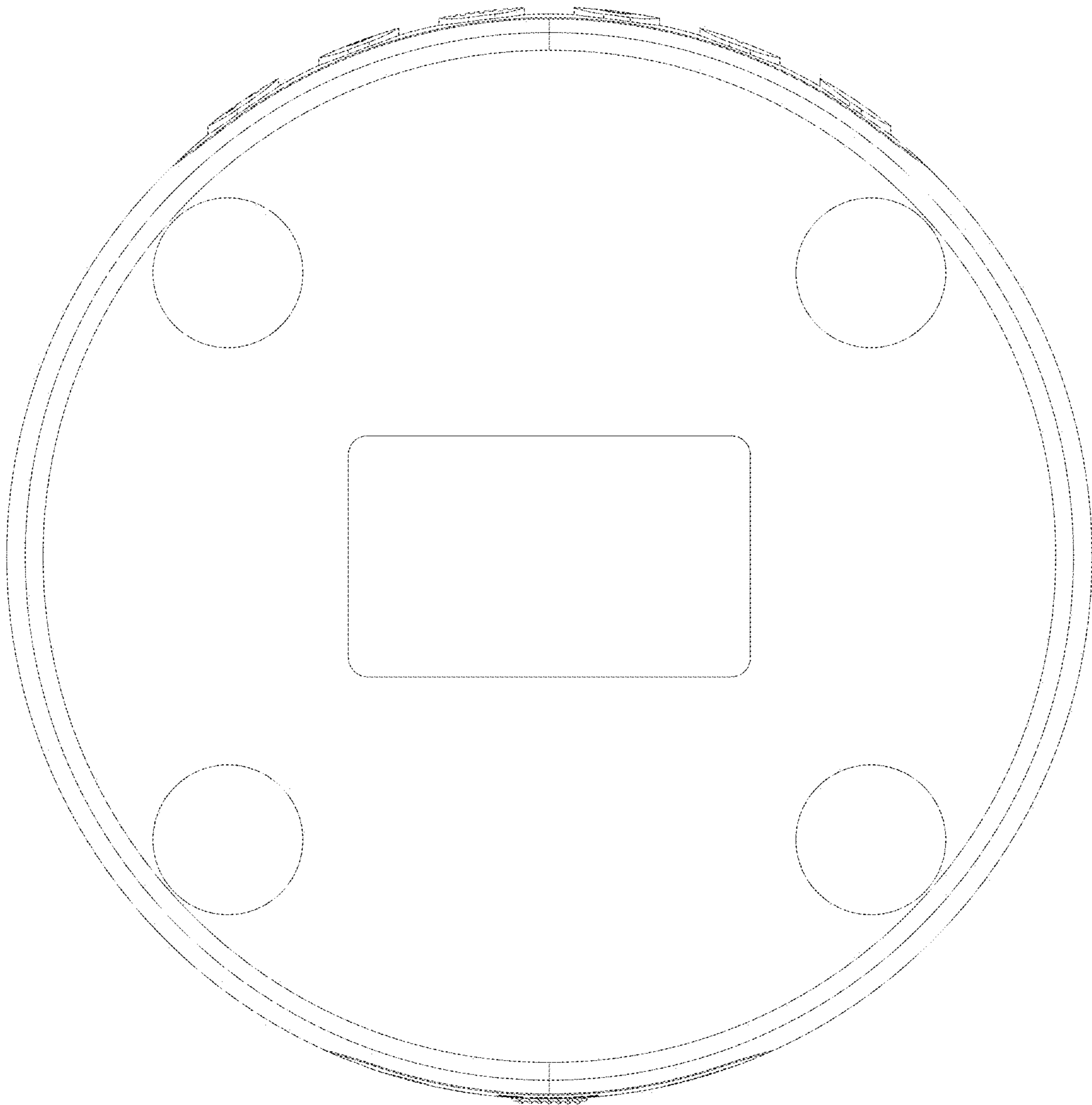


FIG. 7