



US00D900786S

(12) **United States Design Patent** (10) **Patent No.:** **US D900,786 S**
Kim et al. (45) **Date of Patent:** **** Nov. 3, 2020**

(54) **SOUND BAR**
(71) Applicant: **LG ELECTRONICS INC.**, Seoul (KR)
(72) Inventors: **Yongsoo Kim**, Seoul (KR); **Sungyong Park**, Seoul (KR); **Junki Kim**, Seoul (KR)
(73) Assignee: **LG ELECTRONICS INC.**, Seoul (KR)

D688,231 S * 8/2013 Nishii D14/214
D715,257 S * 10/2014 Son D14/214
D715,768 S * 10/2014 Ryu D14/211
D722,587 S * 2/2015 Green D14/188
D754,100 S * 4/2016 McManigal D14/214
D759,624 S * 6/2016 Byrd D14/204
D759,629 S * 6/2016 Kusano D14/214
D760,685 S * 7/2016 Sugiura D14/204
D764,440 S * 8/2016 Xin D14/214
D768,603 S * 10/2016 Kim D14/214
D778,259 S * 2/2017 Bouroullec D14/214
D791,736 S * 7/2017 Schoolmeester D14/214
D799,445 S * 10/2017 Carbone D14/214

(**) Term: **15 Years**

(Continued)

(21) Appl. No.: **35/506,896**

OTHER PUBLICATIONS

(22) Filed: **Dec. 10, 2018**

LG Soundbars at CES 2018, publication date Dec. 29, 2017, [online][site visited Mar. 20, 2020] URL: <https://www.avforum.com/lg-soundbars-ces-2018/> (Year: 2017).*

(80) **Hague Agreement Data**

Int. Filing Date: **Dec. 10, 2018**
Int. Reg. No.: **DM/200339**
Int. Reg. Date: **Dec. 10, 2018**
Int. Reg. Pub. Date: **Jun. 14, 2019**

(Continued)

Primary Examiner — George D. Kirschbaum
Assistant Examiner — L. A. Grabenstetter
(74) *Attorney, Agent, or Firm* — Birch, Stewart, Kolasch & Birch, LLP

(30) **Foreign Application Priority Data**

Jun. 19, 2018 (KR) 30-2018-0028258

(57) **CLAIM**

(51) **LOC (12) Cl.** **14-01**

The ornamental design for a sound bar, as shown and described.

(52) **U.S. Cl.**
USPC **D14/214; D14/204**

DESCRIPTION

(58) **Field of Classification Search**
USPC ... D14/172, 188, 194, 204, 209.1, 211, 214, D14/221
CPC H04R 2420/07; H04R 5/02; H04R 1/403; H04R 2201/028
See application file for complete search history.

- 1. Sound bar
- 1.1 Perspective
- 1.2 Front
- 1.3 Rear
- 1.4 Left
- 1.5 Right
- 1.6 Top
- 1.7 Bottom

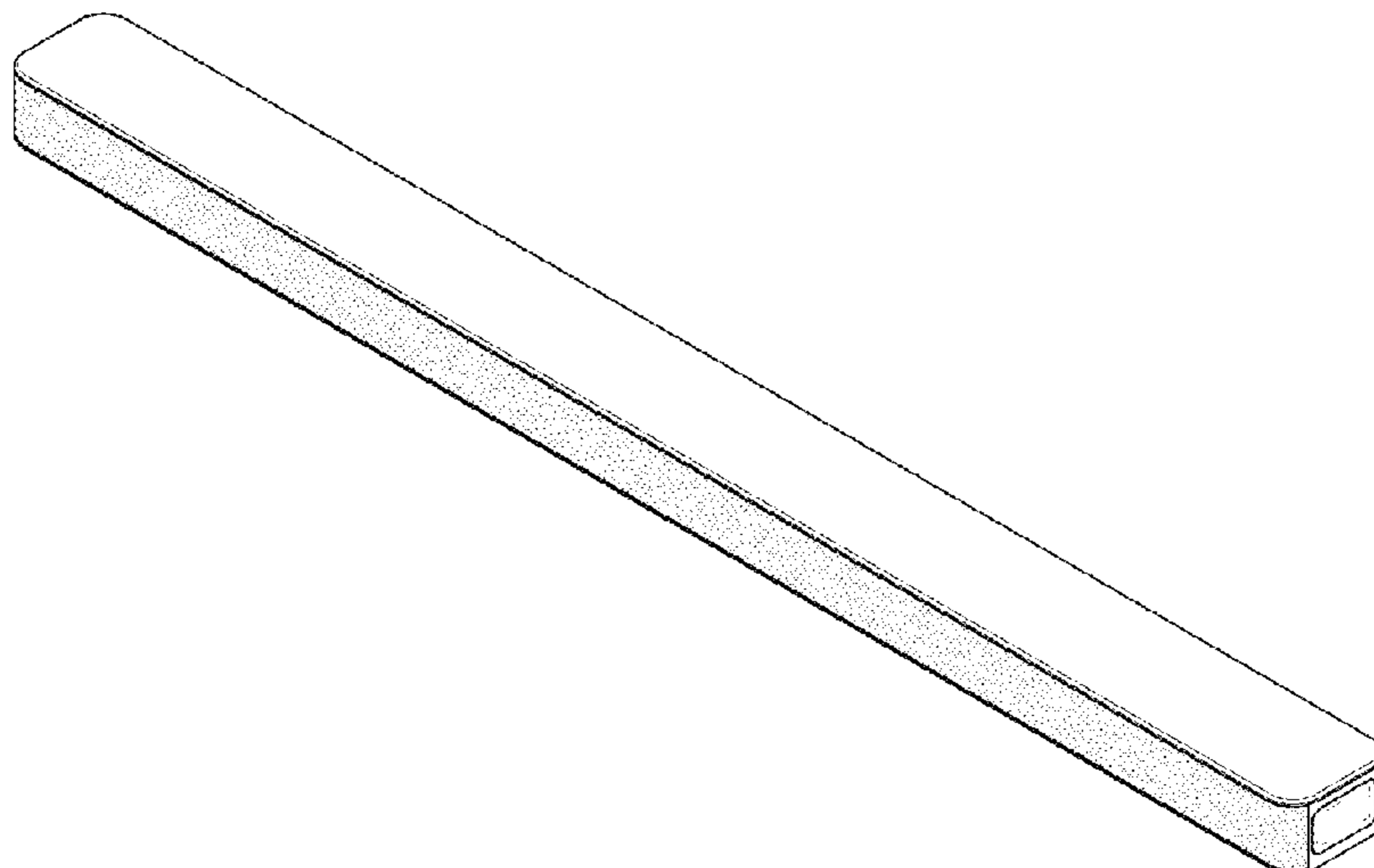
(56) **References Cited**

U.S. PATENT DOCUMENTS

D540,310 S * 4/2007 Yuyama D14/214
D546,815 S * 7/2007 Schmieta D14/214
D660,284 S * 5/2012 Carbone D14/214

The broken lines indicate portions of the article that form no part of the claimed design.

1 Claim, 7 Drawing Sheets



(56)

References Cited

U.S. PATENT DOCUMENTS

D800,693 S * 10/2017 Sugiura D14/214
D826,216 S * 8/2018 Schoolmeester D14/214
D826,892 S * 8/2018 Kim D14/204
D835,605 S * 12/2018 Schoolmeester D14/214
D836,082 S * 12/2018 McManigal D14/204
2008/0260178 A1 * 10/2008 Tanaka H04R 1/403
381/92
2012/0300962 A1 * 11/2012 Devoto H04R 5/02
381/300

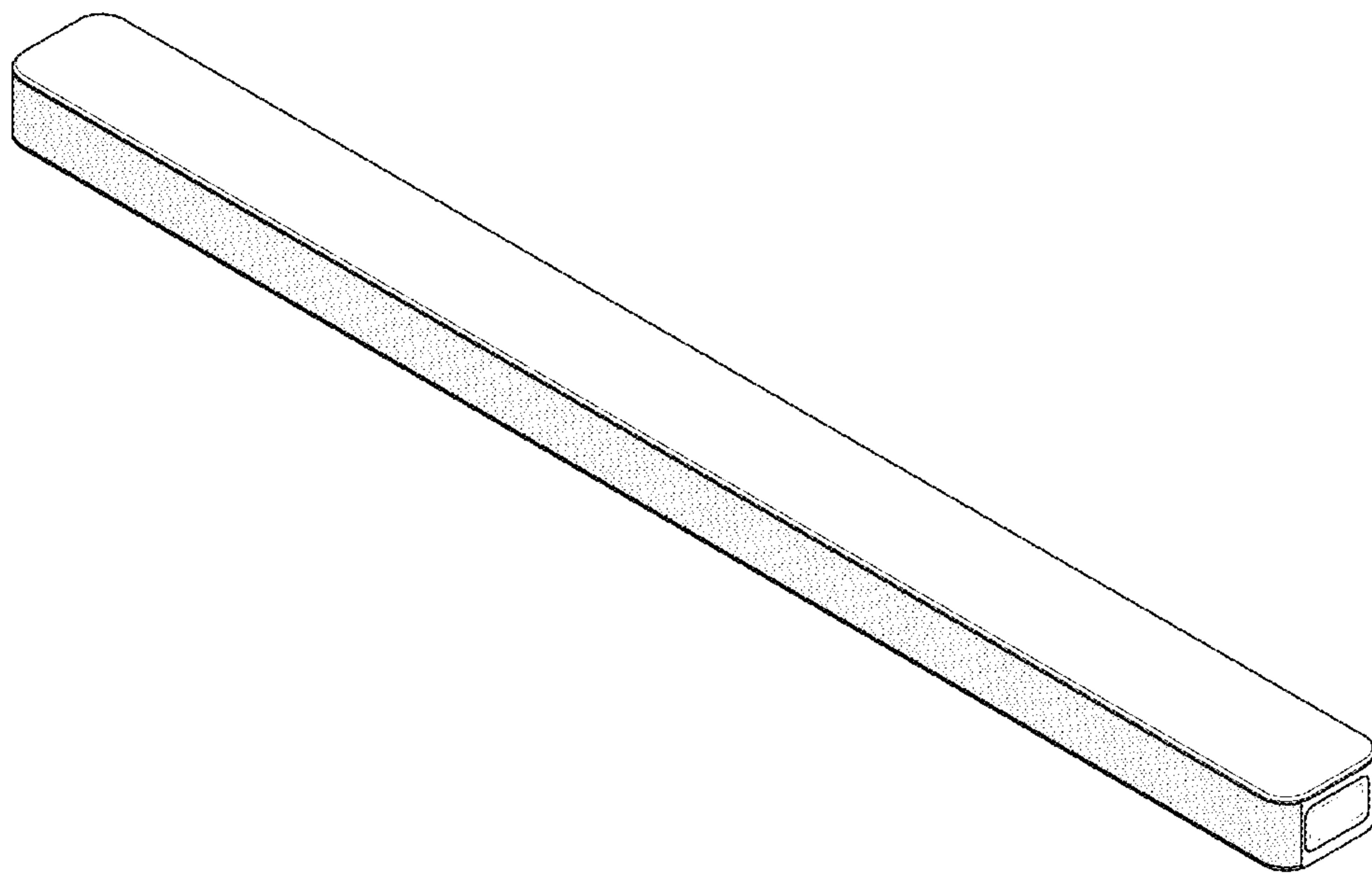
OTHER PUBLICATIONS

Bose Soundbar 700, uploading date Sep. 4, 2018, [online][site visited Mar. 18, 2020] URL: https://www.crutchfield.com/S-Y6oQAsUiXXJp_018SB700W/Bose-Soundbar-700-White.html (Year: 2018).*

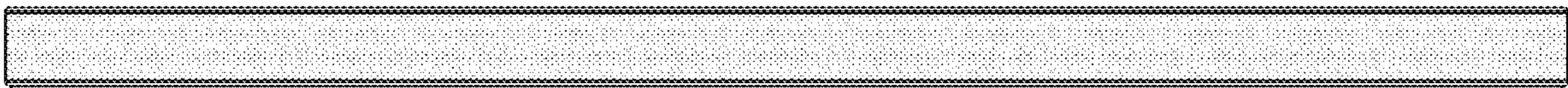
Harman Kardon Citation Bar soundbar review, publication date Sep. 21, 2019, [online][site visited Mar. 18, 2020] URL: <https://www.pocket-lint.com/speakers/reviews/149147-harman-kardon-citation-bar-review-soundbar> (Year: 2019).*

* cited by examiner

1.1



1.2



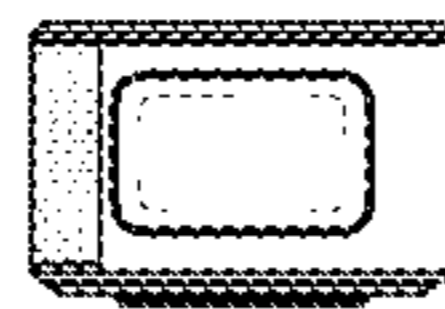
1.3



1.4



1.5



1.6



1.7

