



US00D900785S

(12) **United States Design Patent**
Kim et al.

(10) **Patent No.:** **US D900,785 S**

(45) **Date of Patent:** **** Nov. 3, 2020**

(54) **SOUND BAR**

(71) Applicant: **LG ELECTRONICS INC.**, Seoul (KR)

(72) Inventors: **Yongsoo Kim**, Seoul (KR); **Sungyong Park**, Seoul (KR); **Junki Kim**, Seoul (KR)

(73) Assignee: **LG ELECTRONICS INC.**, Seoul (KR)

(**) Term: **15 Years**

(21) Appl. No.: **35/506,875**

(22) Filed: **Dec. 10, 2018**

(80) **Hague Agreement Data**

Int. Filing Date: **Dec. 10, 2018**

Int. Reg. No.: **DM/200340**

Int. Reg. Date: **Dec. 10, 2018**

Int. Reg. Pub. Date: **Jun. 14, 2019**

(30) **Foreign Application Priority Data**

Jun. 15, 2018 (KR) 30-2018-0027666

(51) **LOC (12) Cl.** **14-01**

(52) **U.S. Cl.**
USPC **D14/214**

(58) **Field of Classification Search**

USPC D14/167, 168, 170-172, 188, 194-196, D14/204, 209.1, 210-216, 219, 221, 222, D14/224, 239, 496, 162, 169, 175, 179, D14/189, 197, 198, 207, 257, 265, 299

CPC B60R 11/0217; G06F 1/1688; G10K 9/22; G10K 11/004; H03F 1/327; H04M 1/03; H04M 1/035; H04N 5/642; H04N 21/4852; H04R 1/02; H04R 1/06; H04R 1/021; H04R 1/025; H04R 1/026; H04R 1/028; H04R 1/105; H04R 1/323; H04R

1/403; H04R 1/2803; H04R 1/2834; H04R 5/02; H04R 7/20; H04R 9/06; H04R 9/025; H04R 2201/021; H04R 2400/00; H04R 2201/07; H04R 2499/11; H04R 2499/13; H04R 2499/15; H04S 3/00; H04S 7/30

See application file for complete search history.

(56) **References Cited**

U.S. PATENT DOCUMENTS

D660,284 S *	5/2012	Carbone	D14/214
D766,873 S *	9/2016	Washio	D14/214
D826,207 S *	8/2018	Kim	D14/204
D835,605 S *	12/2018	Schoolmeister	D14/214
D852,774 S *	7/2019	Sugiura	D14/204
D874,433 S *	2/2020	Boerner	D14/214
D883,953 S *	5/2020	Chong	D14/214
D886,076 S *	6/2020	Zhao	D14/204

* cited by examiner

Primary Examiner — Keli L Hill

(74) *Attorney, Agent, or Firm* — Birch, Stewart, Kolasch & Birch, LLP

(57) **CLAIM**

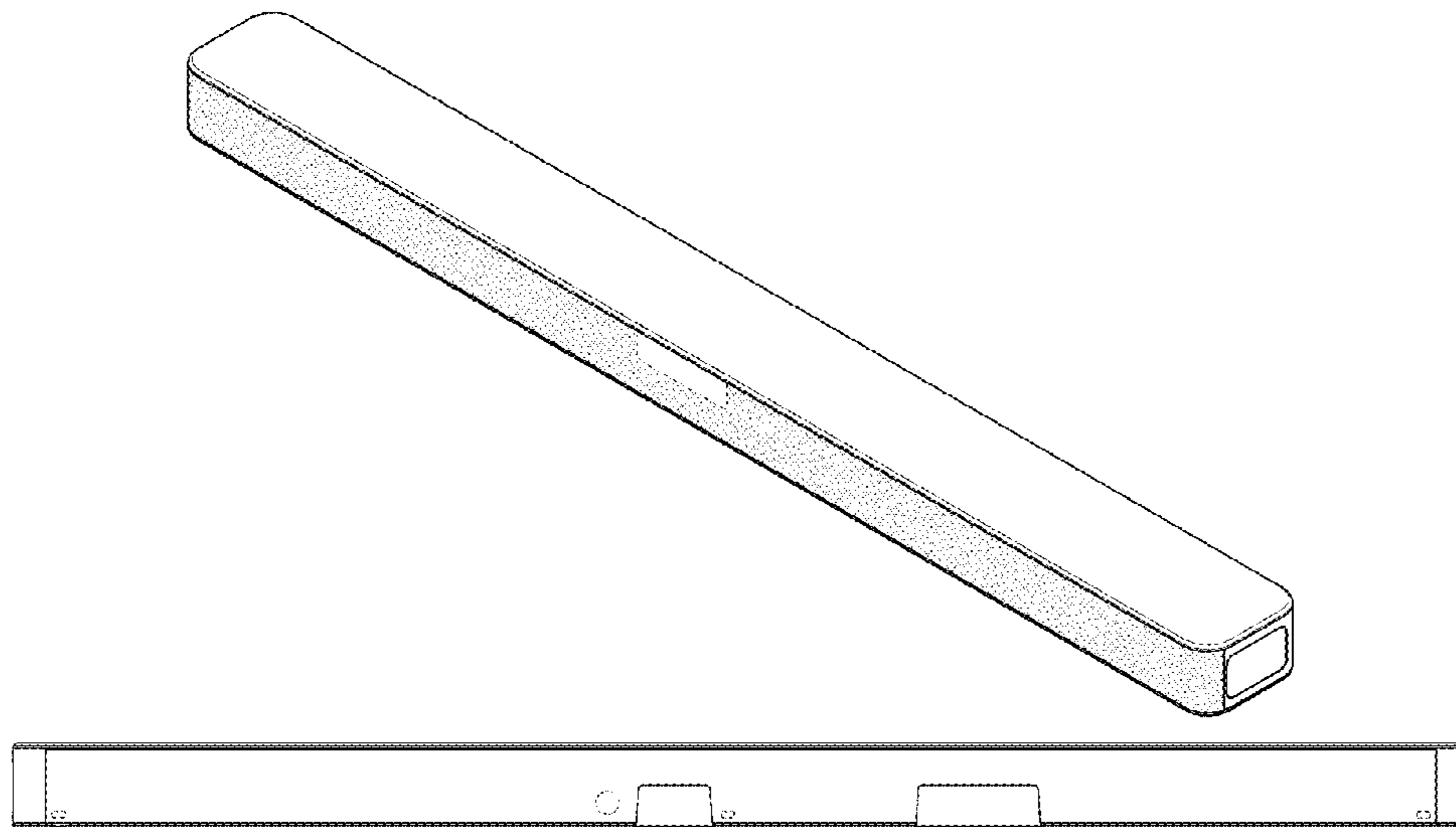
The ornamental design for a sound bar, as shown and described.

DESCRIPTION

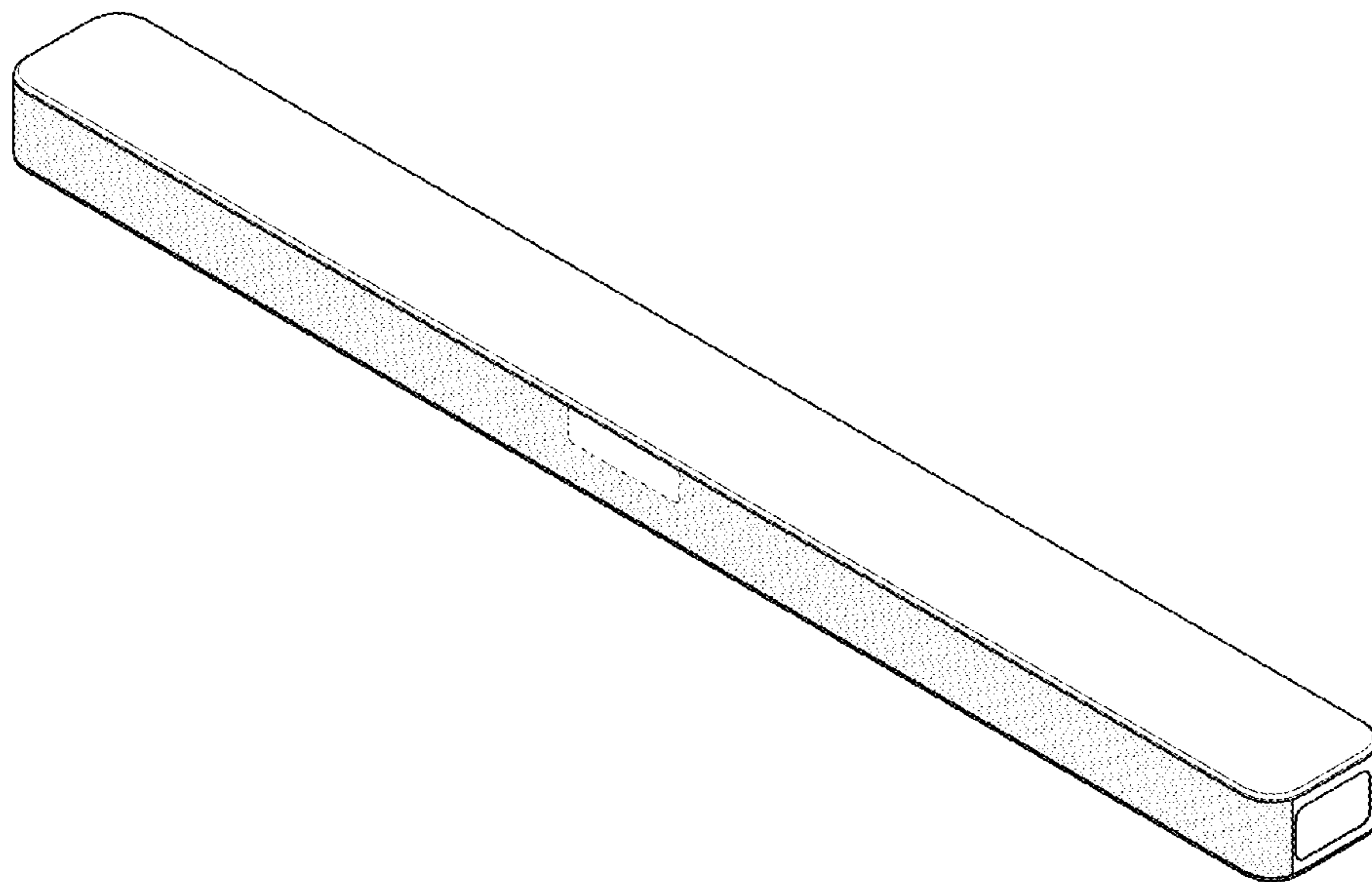
1. Sound bar
- 1.1 is a perspective view.
- 1.2 is a front elevation view.
- 1.3 is a rear elevation view.
- 1.4 is a left side elevation view.
- 1.5 is a right side elevation view.
- 1.6 is a top plan view.
- 1.7 is a bottom plan view.

The broken lines indicate portions of the article that form no part of the claimed design.

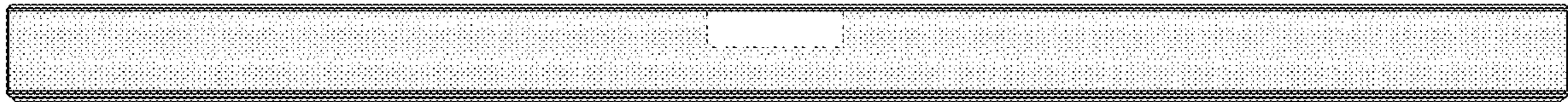
1 Claim, 7 Drawing Sheets



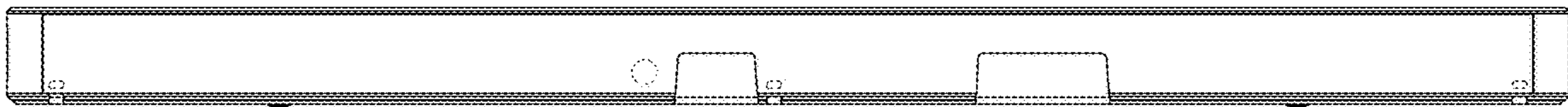
1.1



1.2



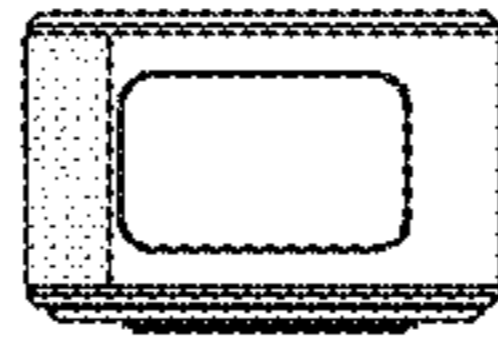
1.3



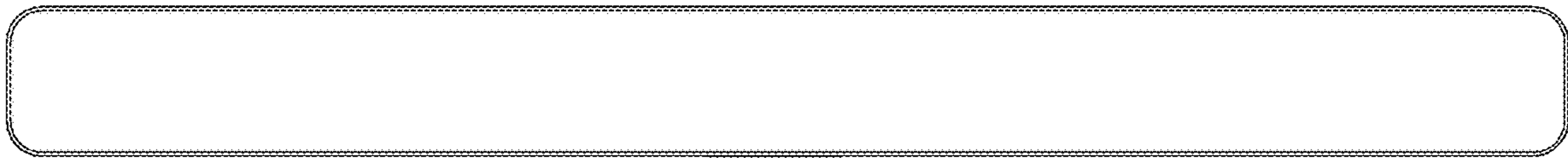
1.4



1.5



1.6



1.7

