



US00D900784S

(12) **United States Design Patent**  
**Yan**

(10) **Patent No.:** **US D900,784 S**

(45) **Date of Patent:** **\*\* Nov. 3, 2020**

(54) **WIRELESS HEADSET**

(71) Applicant: **SHENZHEN FUSHIKE ELECTRONIC CO., LTD.**, Shenzhen (CN)

(72) Inventor: **Xiaohuang Yan**, Fuzhou (CN)

(73) Assignee: **SHENZHEN FUSHIKE ELECTRONIC CO., LTD.**, Shenzhen (CN)

(\*\*) Term: **15 Years**

(21) Appl. No.: **29/690,554**

(22) Filed: **May 9, 2019**

(51) **LOC (12) Cl.** ..... **14-01**

(52) **U.S. Cl.**  
USPC ..... **D14/206; D14/226**

(58) **Field of Classification Search**  
USPC ..... D14/206, 226, 205, 225; D24/174;  
128/864, 865, 866; 381/380, 381, 370;  
455/90.3, 575.1, 569.1

CPC ..... H04R 25/00; H04R 19/04; H04R 1/105;  
H04R 1/1016; H04R 1/1066; H04R  
5/033; H04R 5/0335

See application file for complete search history.

(56) **References Cited**

**U.S. PATENT DOCUMENTS**

2,875,543	A	*	3/1959	Sylvester	.....	D06Q 1/00 428/30
D439,890	S	*	4/2001	Skulley	.....	D14/206
D443,603	S	*	6/2001	Taylor	.....	D14/206
D504,413	S	*	4/2005	Takagi	.....	D14/168
D504,419	S	*	4/2005	Bey	.....	D14/223
D504,887	S	*	5/2005	Skulley	.....	D14/223
D506,258	S	*	6/2005	Nielsen	.....	D24/174
D511,156	S	*	11/2005	Eroma	.....	D14/205

D512,984	S	*	12/2005	Ham	.....	D14/205
D515,074	S	*	2/2006	Jacobson	.....	D14/225
D517,528	S	*	3/2006	Skulley	.....	D14/206
D518,479	S	*	4/2006	Skulley	.....	D14/225
D519,498	S	*	4/2006	Ham	.....	D14/225
D520,496	S	*	5/2006	Gwee	.....	D14/205
D521,492	S	*	5/2006	Ham	.....	D14/205
D530,819	S	*	10/2006	Jurkiewicz	.....	D24/174
D535,980	S	*	1/2007	Bentley	.....	D14/225
D537,815	S	*	3/2007	Bentley	.....	D14/206
D539,266	S	*	3/2007	Bentley	.....	D14/205
D539,789	S	*	4/2007	Rausch	.....	D14/225
D541,787	S	*	5/2007	Ma	.....	D14/205
D581,900	S	*	12/2008	Caddes	.....	D14/206
D584,719	S	*	1/2009	Brennwald	.....	D14/205
D603,372	S	*	11/2009	Bentley	.....	D14/206
D612,834	S	*	3/2010	Yang	.....	D14/206
D612,835	S	*	3/2010	Yang	.....	D14/206
D612,840	S	*	3/2010	Yang	.....	D14/223
D647,877	S	*	11/2011	Son	.....	D14/206
D653,649	S	*	2/2012	Yang	.....	D14/206
D657,347	S	*	4/2012	Chung	.....	D14/206
D667,121	S	*	9/2012	Mori	.....	D24/174
D670,267	S	*	11/2012	Maddern	.....	D14/206

(Continued)

*Primary Examiner* — Paula Allen Greene  
(74) *Attorney, Agent, or Firm* — WPAT, PC

(57) **CLAIM**

The ornamental design for a wireless headset, as shown and described.

**DESCRIPTION**

FIG. 1 is a perspective view of a wireless headset, showing my new design;

FIG. 2 is a front view thereof;

FIG. 3 is a rear view thereof;

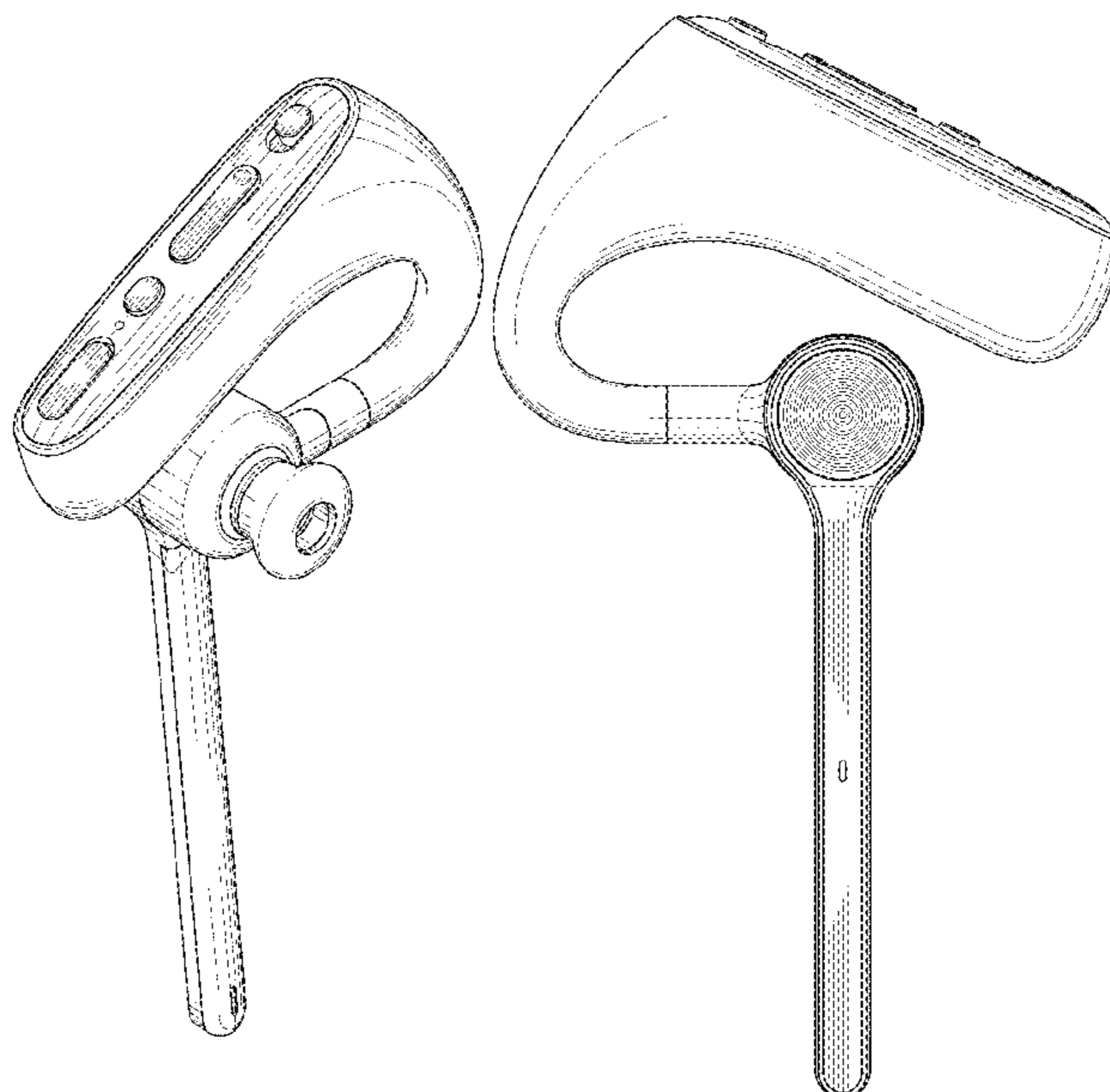
FIG. 4 is a left-side view thereof;

FIG. 5 is a right-side view thereof;

FIG. 6 is a top view thereof; and,

FIG. 7 is a bottom view thereof.

**1 Claim, 5 Drawing Sheets**



(56)

References Cited

U.S. PATENT DOCUMENTS

D671,915 S \* 12/2012 Birger ..... D14/206  
 D681,002 S \* 4/2013 Ham ..... D14/205  
 D681,003 S \* 4/2013 Ham ..... D14/206  
 D681,014 S \* 4/2013 Ham ..... D14/223  
 8,437,860 B1 \* 5/2013 Crawford ..... H04R 25/60  
 607/55  
 D705,936 S \* 5/2014 Lockenwitz ..... D24/174  
 D717,771 S \* 11/2014 Harper ..... D14/223  
 D726,147 S \* 4/2015 Tran ..... D14/206  
 9,031,275 B2 \* 5/2015 Brodsgaard ..... H04R 1/1066  
 381/374  
 D746,260 S \* 12/2015 Goransson ..... D14/206  
 D750,043 S \* 2/2016 Birger ..... D14/206  
 9,307,311 B2 \* 4/2016 Tran ..... H04R 1/105  
 D784,290 S \* 4/2017 Paterson ..... D14/205  
 D784,291 S \* 4/2017 Paterson ..... D14/206  
 D789,331 S \* 6/2017 Paterson ..... D14/225  
 D797,076 S \* 9/2017 Zhang ..... D14/206  
 D804,035 S \* 11/2017 Gabathuler ..... D24/174

D812,040 S \* 3/2018 Yan ..... D14/206  
 D828,327 S \* 9/2018 Birger ..... D14/206  
 D829,193 S \* 9/2018 Cai ..... D14/223  
 D830,337 S \* 10/2018 Yan ..... D14/206  
 D830,338 S \* 10/2018 Yan ..... D14/206  
 D836,599 S \* 12/2018 Duan ..... D14/206  
 D838,688 S \* 1/2019 Liu ..... D14/206  
 D851,065 S \* 6/2019 Yan ..... D14/206  
 D855,036 S \* 7/2019 Yan ..... D14/206  
 D862,424 S \* 10/2019 You ..... D14/223  
 D863,254 S \* 10/2019 Hu ..... D14/206  
 D864,166 S \* 10/2019 You ..... D14/223  
 D872,707 S \* 1/2020 Liu ..... D14/206  
 D879,067 S \* 3/2020 Hu ..... D14/205  
 D879,068 S \* 3/2020 Yan ..... D14/206  
 D883,951 S \* 5/2020 Yan ..... D14/206  
 D886,798 S \* 6/2020 Yan ..... D14/206  
 2005/0129259 A1 \* 6/2005 Garner ..... H04R 1/105  
 381/172  
 2005/0259812 A1 \* 11/2005 Chen ..... H04M 1/05  
 379/431

\* cited by examiner

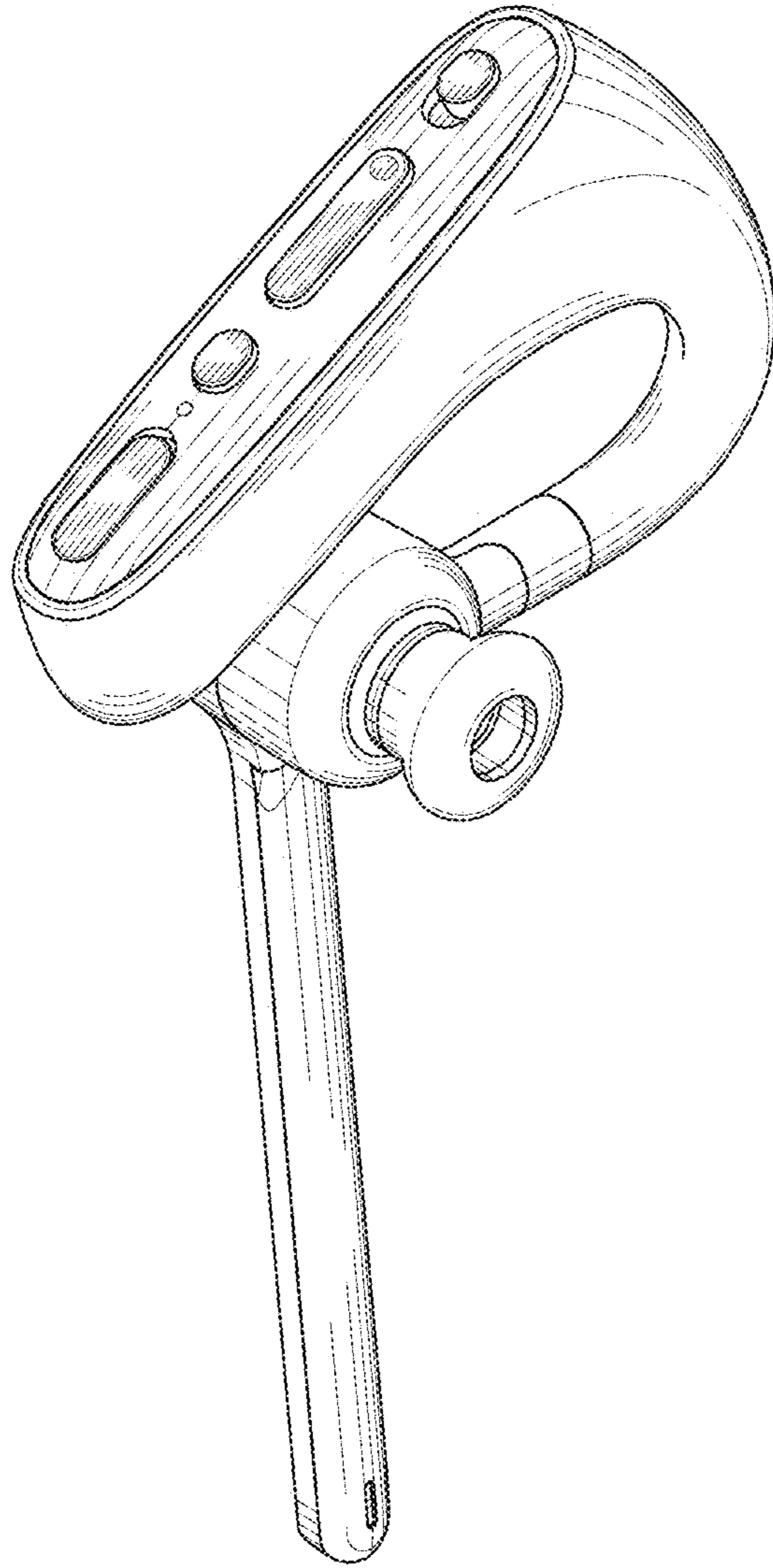


FIG. 1

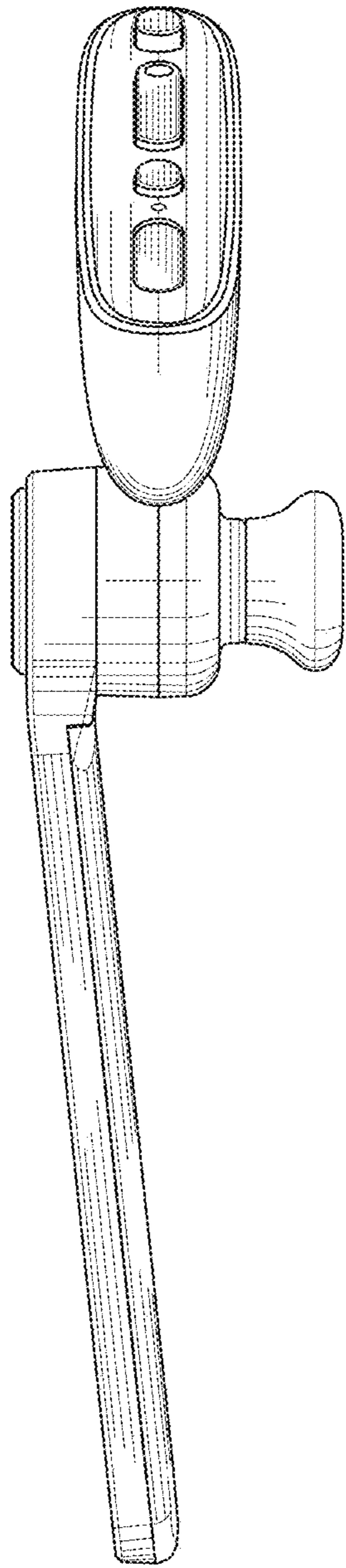


FIG. 2

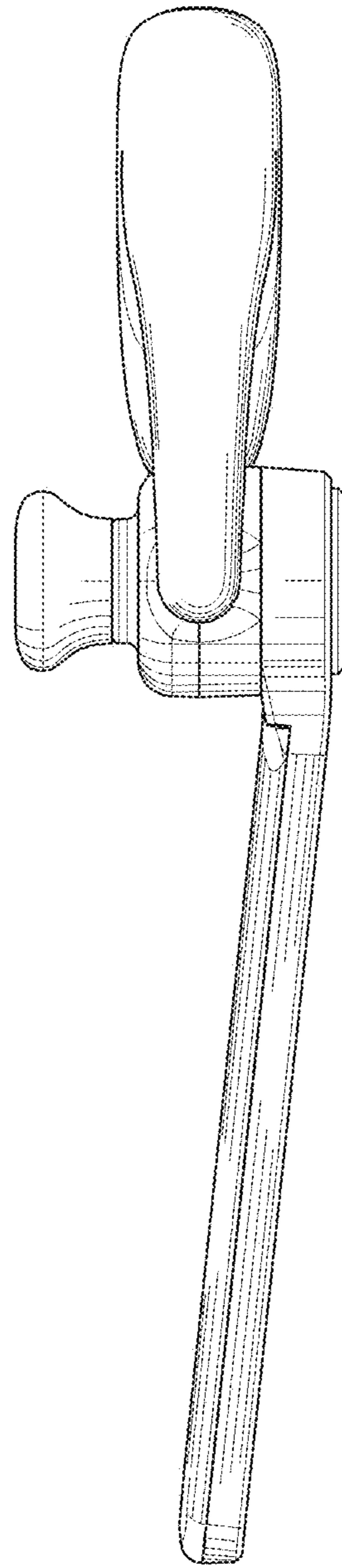


FIG. 3

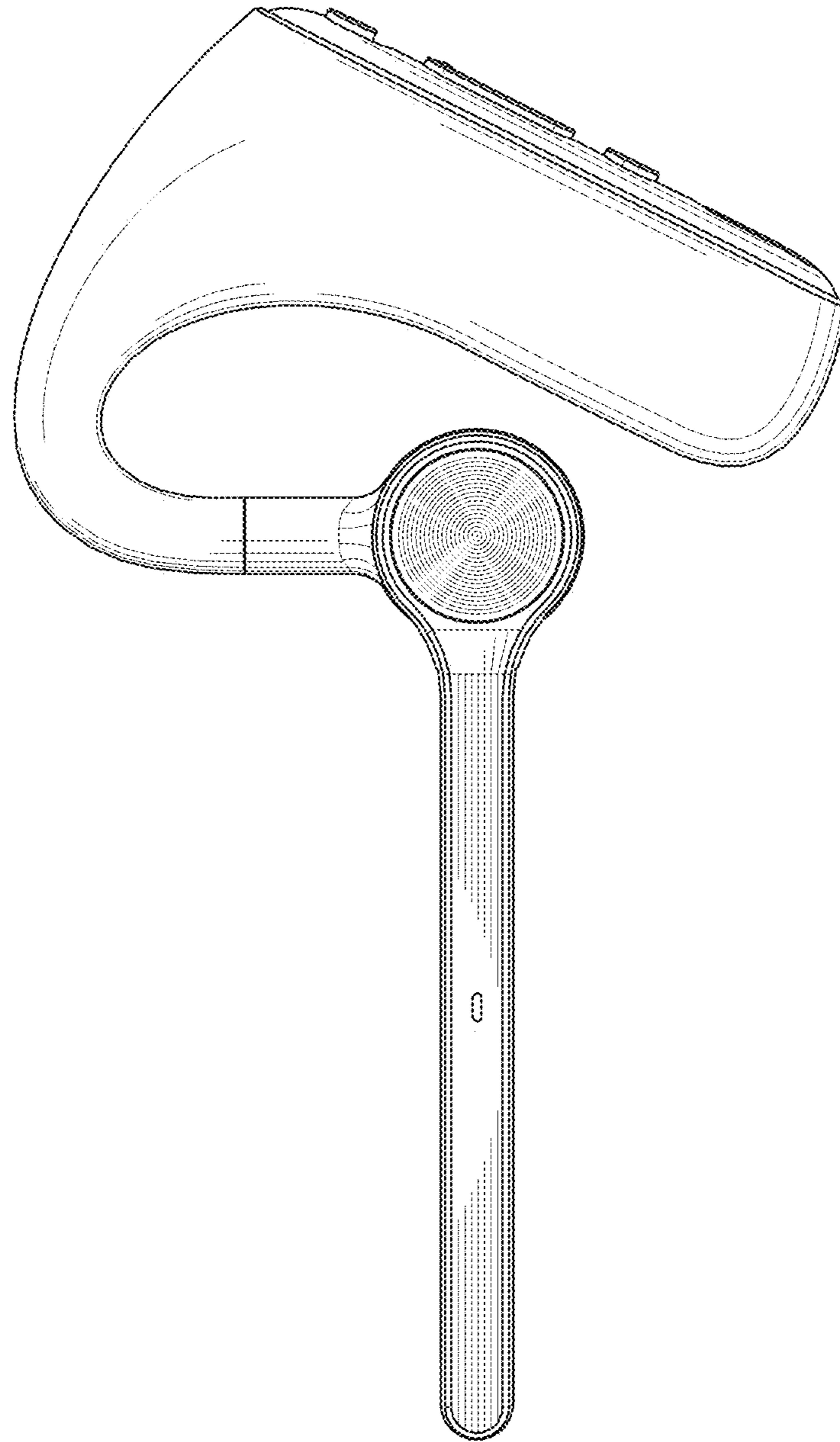


FIG. 4

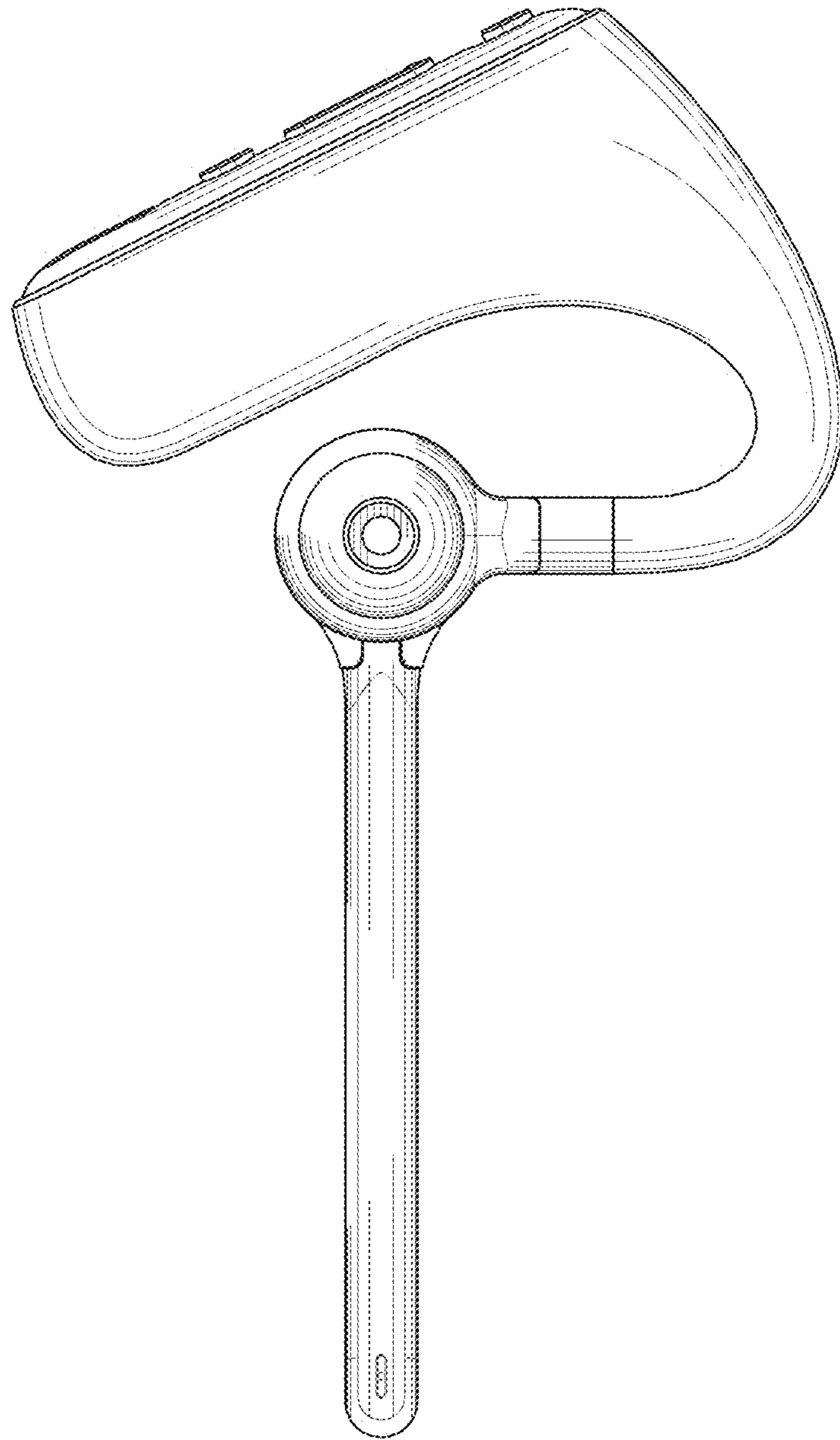


FIG. 5

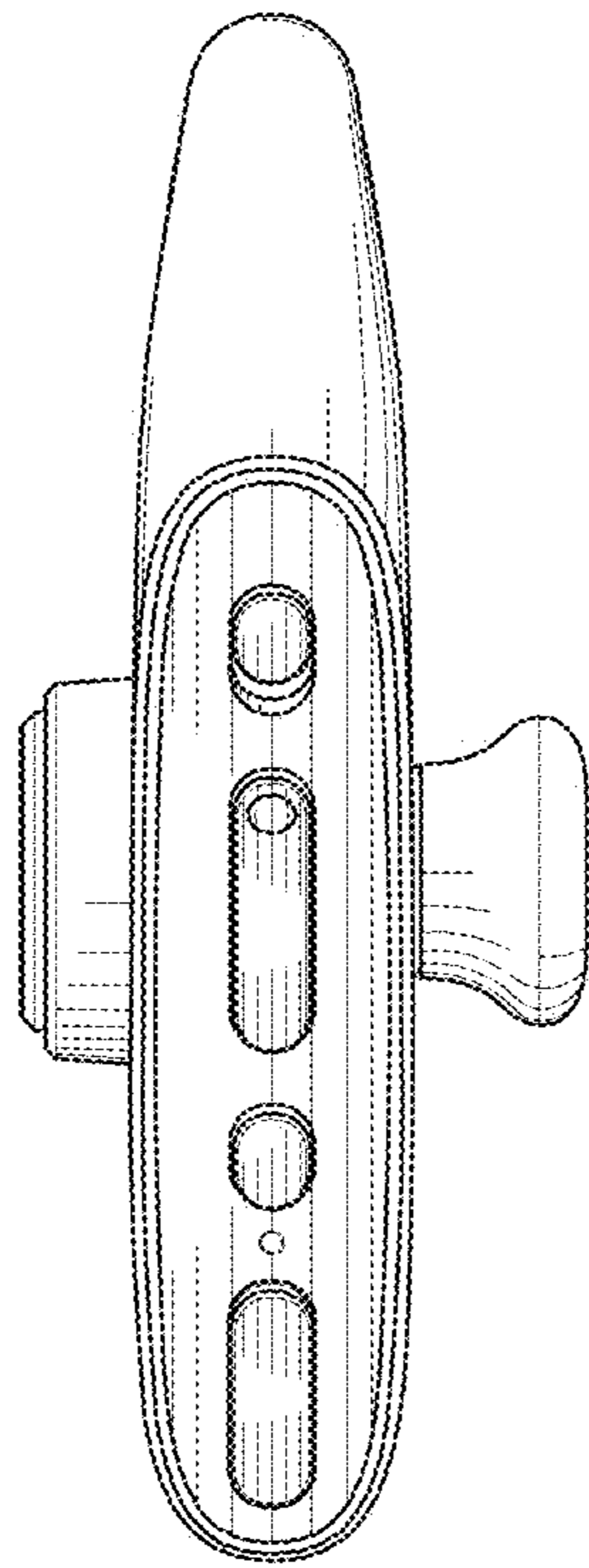


FIG. 6

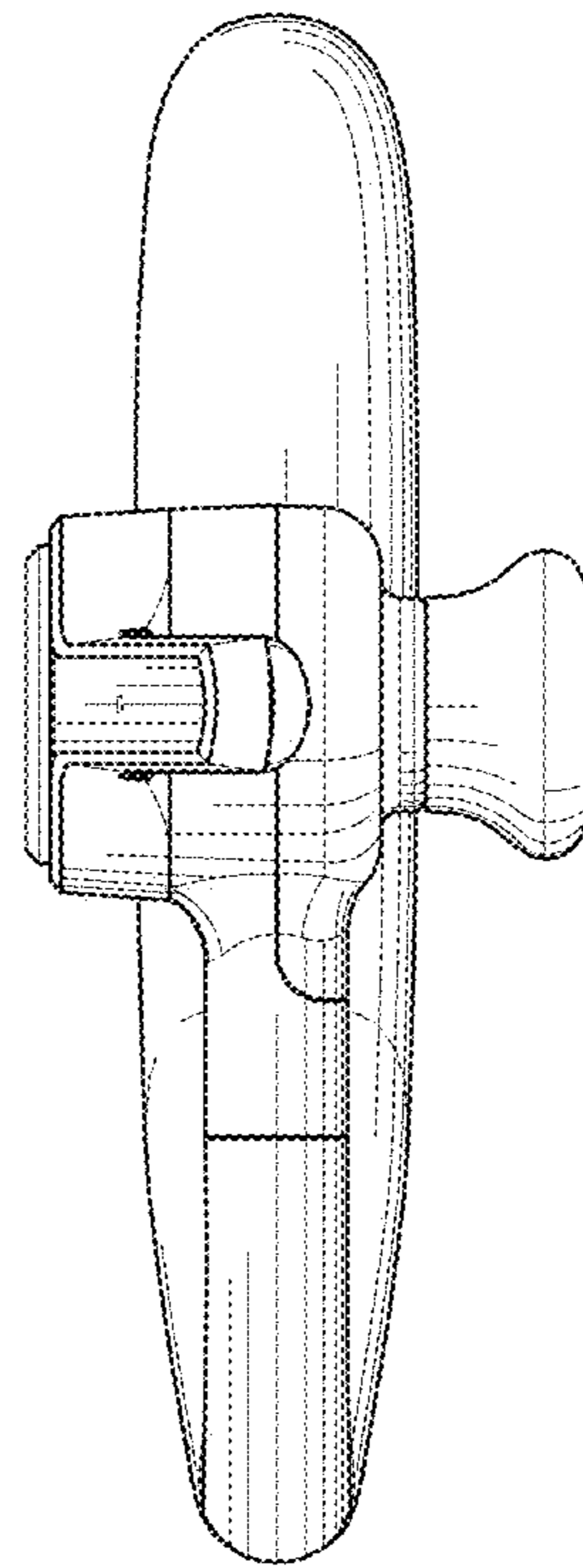


FIG. 7