



US00D900782S

(12) **United States Design Patent** (10) **Patent No.:** **US D900,782 S**
Vaclavik et al. (45) **Date of Patent:** **** Nov. 3, 2020**

(54) **HEADPHONE**
(71) Applicant: **Harman International Industries, Incorporated**, Northridge, CA (US)
(72) Inventors: **Ondrej Vaclavik**, Shenzhen (CN); **Alexander Demin**, Shenzhen (CN)
(73) Assignee: **Harman International Industries, Incorporated**, Northridge, CA (US)

D399,206 S * 10/1998 Yasutomi D14/205
5,887,286 A * 3/1999 Waldron A61F 11/14
181/129
D481,375 S * 10/2003 Suzuki D14/206
D484,485 S * 12/2003 Matsuoka D14/205
D502,938 S * 3/2005 Tokioka D14/205

(Continued)

FOREIGN PATENT DOCUMENTS

EM 006655072-0001 * 7/2019

(**) Term: **15 Years**

OTHER PUBLICATIONS

(21) Appl. No.: **29/675,542**

Design U.S. Appl. No. 29/631,227, filed Dec. 28, 2017.

(22) Filed: **Jan. 3, 2019**

(Continued)

(51) **LOC (12) Cl.** **14-01**

Primary Examiner — Paula Allen Greene

(52) **U.S. Cl.**
USPC **D14/205**

(74) *Attorney, Agent, or Firm* — Plumsea Law Group, LLC

(58) **Field of Classification Search**
USPC D14/205, 188, 192; D29/112; 2/209;
181/129, 130, 135; 379/430, 431;
381/380, 381, 370, 374; 455/90.3, 575.1,
455/569.1

(57) **CLAIM**

The ornamental design for a headphone, as shown and described.

CPC H04R 25/00; H04R 1/10; H04R 1/1066;
H04R 1/1016; H04R 5/033; H04R 5/0335
See application file for complete search history.

DESCRIPTION

(56) **References Cited**

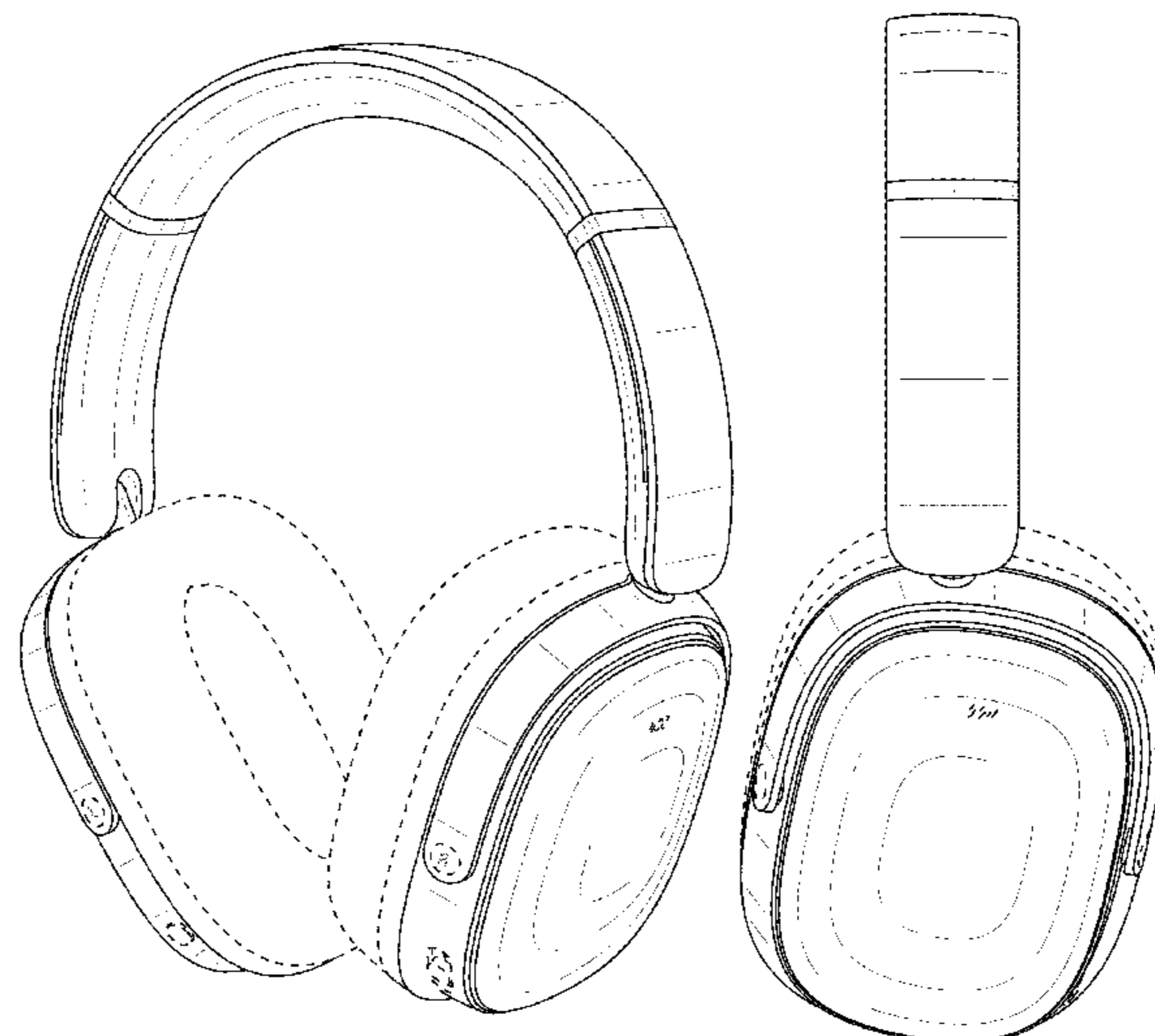
FIG. 1 is a perspective view of a headphone showing the new design;
FIG. 2 is a front elevational view thereof;
FIG. 3 is a rear elevational view thereof;
FIG. 4 is an exterior side elevational view thereof;
FIG. 5 is an exterior side elevational view of the opposite side thereof;
FIG. 6 is a top view thereof; and,
FIG. 7 is a bottom view thereof.

U.S. PATENT DOCUMENTS

D246,259 S * 11/1977 Nishimura D14/205
D270,634 S * 9/1983 Ungar D14/205
D292,205 S * 10/1987 Kikutani 381/378
D300,133 S * 3/1989 Daidoh D14/205
D316,861 S * 5/1991 Yoda D14/205
D318,669 S * 7/1991 Nakayama D14/205
D328,074 S * 7/1992 Yamazaki D14/205
D328,461 S * 8/1992 Daido D14/205
D338,010 S * 8/1993 Yamatogi D14/205
D373,360 S * 9/1996 Kanno D14/205
D375,312 S * 11/1996 Kanno D14/205
D377,021 S * 12/1996 Isono D14/205
5,809,573 A * 9/1998 Bary A61F 7/03
128/866

The broken lines immediately adjacent the surface shading represent the bounds of the claimed design, while all other broken lines are directed to environment and are for illustrative purposes only; the broken lines form no part of the claimed design.

1 Claim, 6 Drawing Sheets



(56)

References Cited

U.S. PATENT DOCUMENTS

D532,407 S * 11/2006 Motoishi D14/205
 D539,267 S * 3/2007 Komiyama D14/205
 D544,464 S * 6/2007 Lee D14/205
 7,388,960 B2 * 6/2008 Kuo H04R 1/1041
 379/430
 D573,581 S * 7/2008 Gondo D14/205
 D582,890 S * 12/2008 Koza D14/205
 D584,715 S * 1/2009 Brennwald D14/205
 D588,098 S * 3/2009 Kurihara D14/205
 D591,263 S * 4/2009 Shimizu D14/205
 D593,995 S * 6/2009 Shimizu D14/205
 D594,847 S * 6/2009 Suzuki D14/205
 7,580,539 B2 * 8/2009 Tachikawa H04R 1/1066
 381/374
 D600,674 S * 9/2009 Brennwald D14/205
 D634,298 S * 3/2011 Shimizu D14/205
 D639,776 S * 6/2011 Arimoto D14/205
 8,098,872 B2 * 1/2012 Chang H04R 1/1075
 381/370
 D654,472 S * 2/2012 Fischer D14/206
 D656,125 S * 3/2012 Komiyama D14/205
 D657,776 S * 4/2012 Lee D14/205
 D662,080 S * 6/2012 Carr D14/205
 D663,717 S * 7/2012 Hutchieson D14/206
 D665,775 S * 8/2012 Katsumata D14/205
 8,295,529 B2 * 10/2012 Petersen H04R 1/083
 381/371
 D684,140 S * 6/2013 Enquist D14/205
 D689,843 S * 9/2013 Lee D14/205
 D691,109 S * 10/2013 Hardi D14/205
 D691,579 S * 10/2013 Lee D14/205
 D697,048 S 1/2014 Pavitsich
 D706,161 S * 6/2014 Madrid D11/130
 D706,241 S * 6/2014 Szymanski H04R 1/1066
 D14/205
 D706,242 S * 6/2014 Yang H04R 1/1066
 D14/205
 D707,653 S * 6/2014 Hardi H04R 1/10
 D14/205
 8,755,555 B2 * 6/2014 Dougherty H04R 1/1066
 381/370
 D708,163 S * 7/2014 Ishikura D14/205
 D712,375 S * 9/2014 Miyake D14/205
 D713,374 S * 9/2014 Farrage D14/205

8,923,525 B2 * 12/2014 Saideh H04R 1/1033
 381/309
 D721,052 S * 1/2015 Carr D14/205
 D722,998 S * 2/2015 Sancho D14/205
 D727,289 S * 4/2015 Czaniecki D14/205
 D728,512 S * 5/2015 Nakagawa D14/205
 D729,194 S * 5/2015 Boeckel D14/205
 D729,196 S * 5/2015 Liu D14/205
 D733,090 S * 6/2015 Petersen D14/205
 D743,369 S 11/2015 Mackiewicz et al.
 D750,041 S * 2/2016 Birger D14/205
 D750,593 S * 3/2016 Hardi H04R 1/10
 D14/205
 D759,626 S * 6/2016 Wagner D14/205
 D763,223 S * 8/2016 Czaniecki
 D763,226 S * 8/2016 Petersen D14/205
 D768,111 S * 10/2016 Nam D14/205
 D769,840 S * 10/2016 Henning D14/205
 D771,012 S * 11/2016 Wagner D14/205
 D787,469 S * 5/2017 Djohar D14/205
 D787,470 S * 5/2017 Kelly D14/205
 D811,365 S * 2/2018 Czaniecki D14/205
 D826,208 S 8/2018 Czaniecki
 D837,764 S * 1/2019 Xiao D14/205
 D840,370 S * 2/2019 Kelly D14/205
 D859,353 S * 9/2019 Wagner D14/205
 D864,900 S * 10/2019 Miller D14/205
 D865,706 S * 11/2019 Li D14/205
 D869,432 S * 12/2019 Jung D14/205
 2010/0310093 A1 * 12/2010 Semcken H04R 1/1058
 381/104
 2013/0087404 A1 * 4/2013 Peskar A61F 11/14
 181/129

OTHER PUBLICATIONS

Design U.S. Appl. No. 29/631,192, filed Dec. 28, 2017.
 Design U.S. Appl. No. 29/661,346, filed Aug. 27, 2018.
 Design U.S. Appl. No. 29/704,338, filed Sep. 4, 2019.
 2013 Harman Kardon Headphones NC Specification Sheet.
 2014 Harman Kardon Soho Wireless Headset Specification Sheet.
 Harman Kardon NC Headphones Web Page dated Mar. 4, 2016.
 Retrieved Oct. 26, 2019 from Internet: <<<https://web.archive.org/web/20160304051403/http://www.harmanaudio.com:80/HARKAR-NC-Z.html>>>.

* cited by examiner

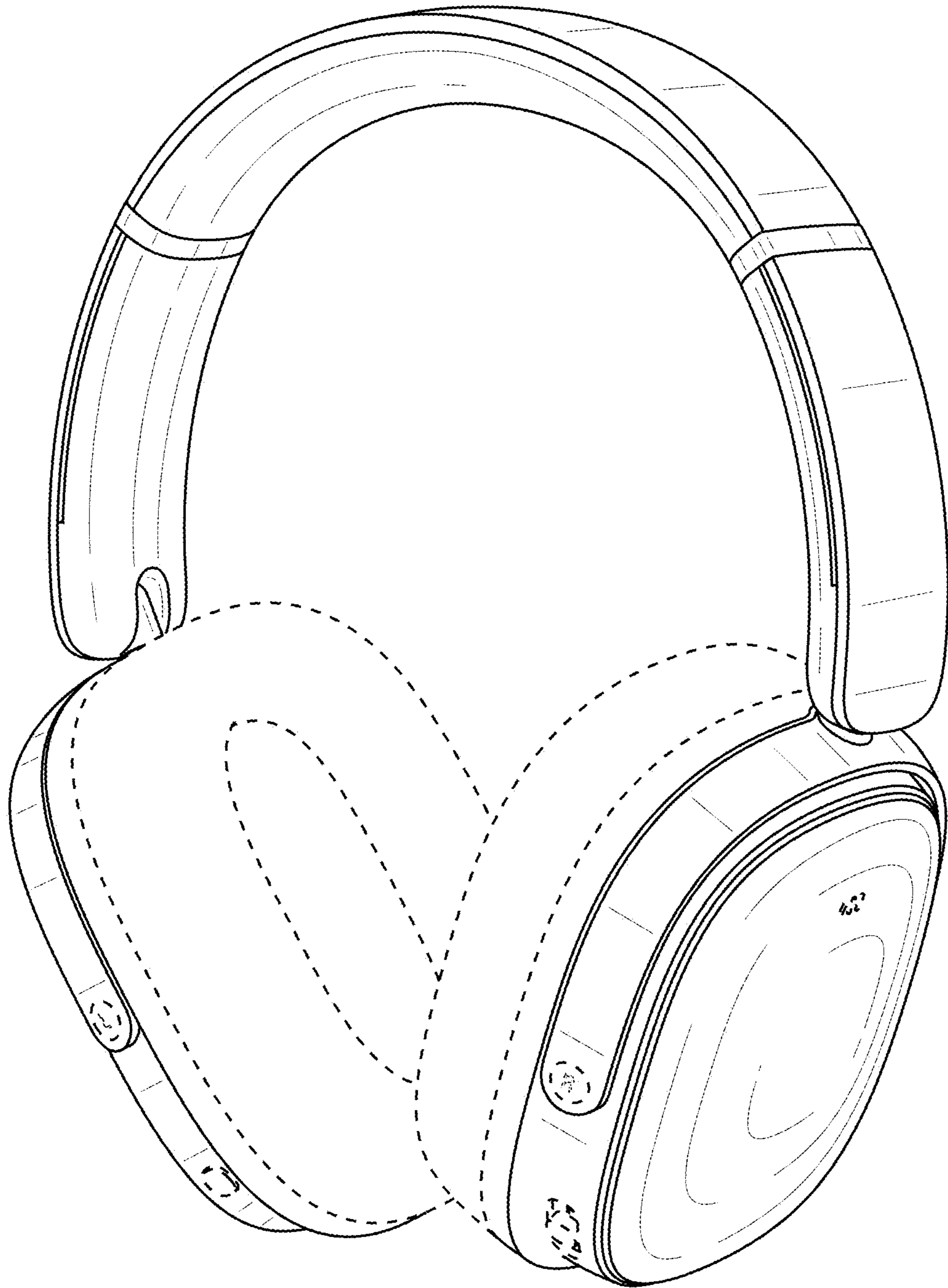


FIG. 1

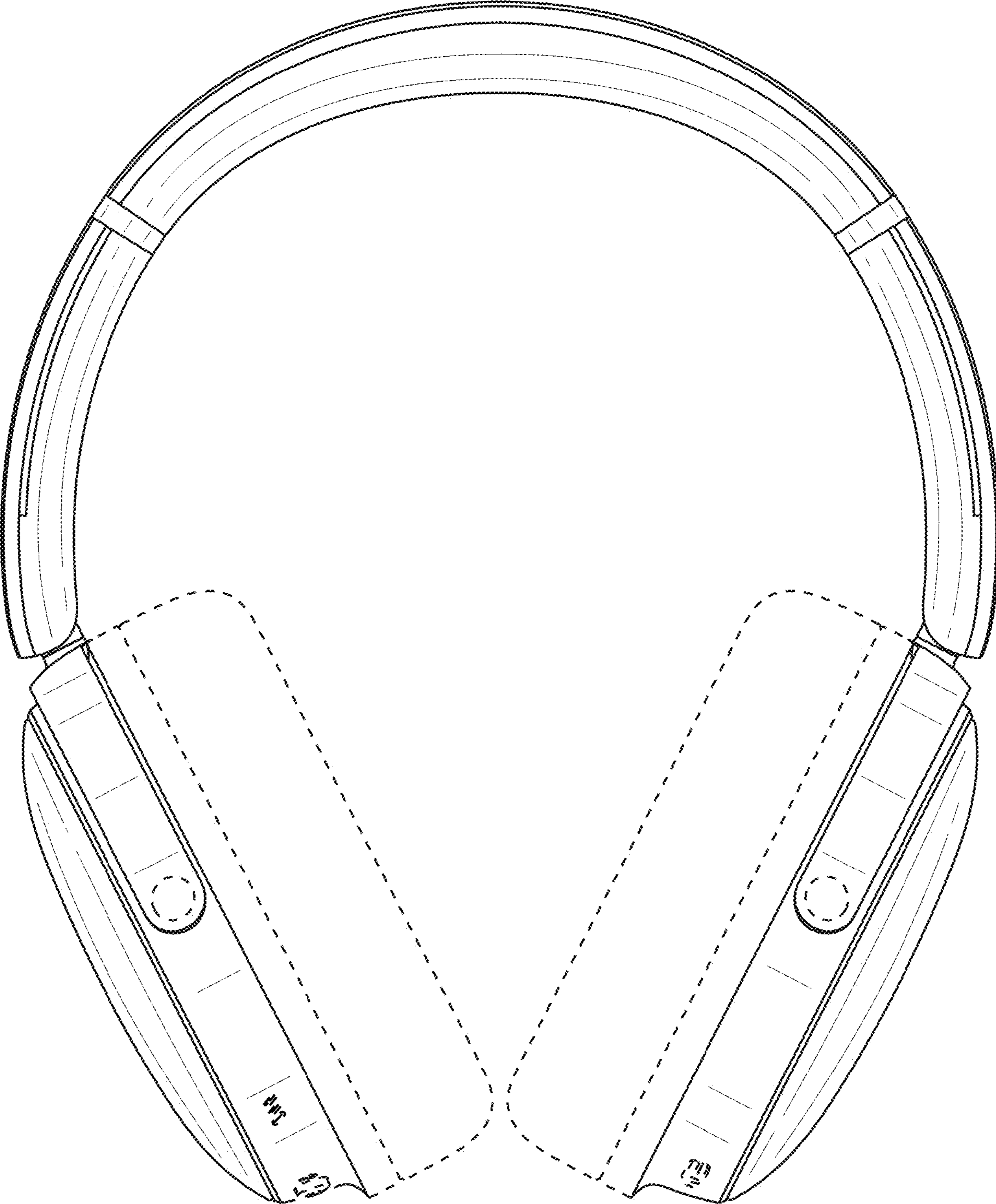


FIG. 2

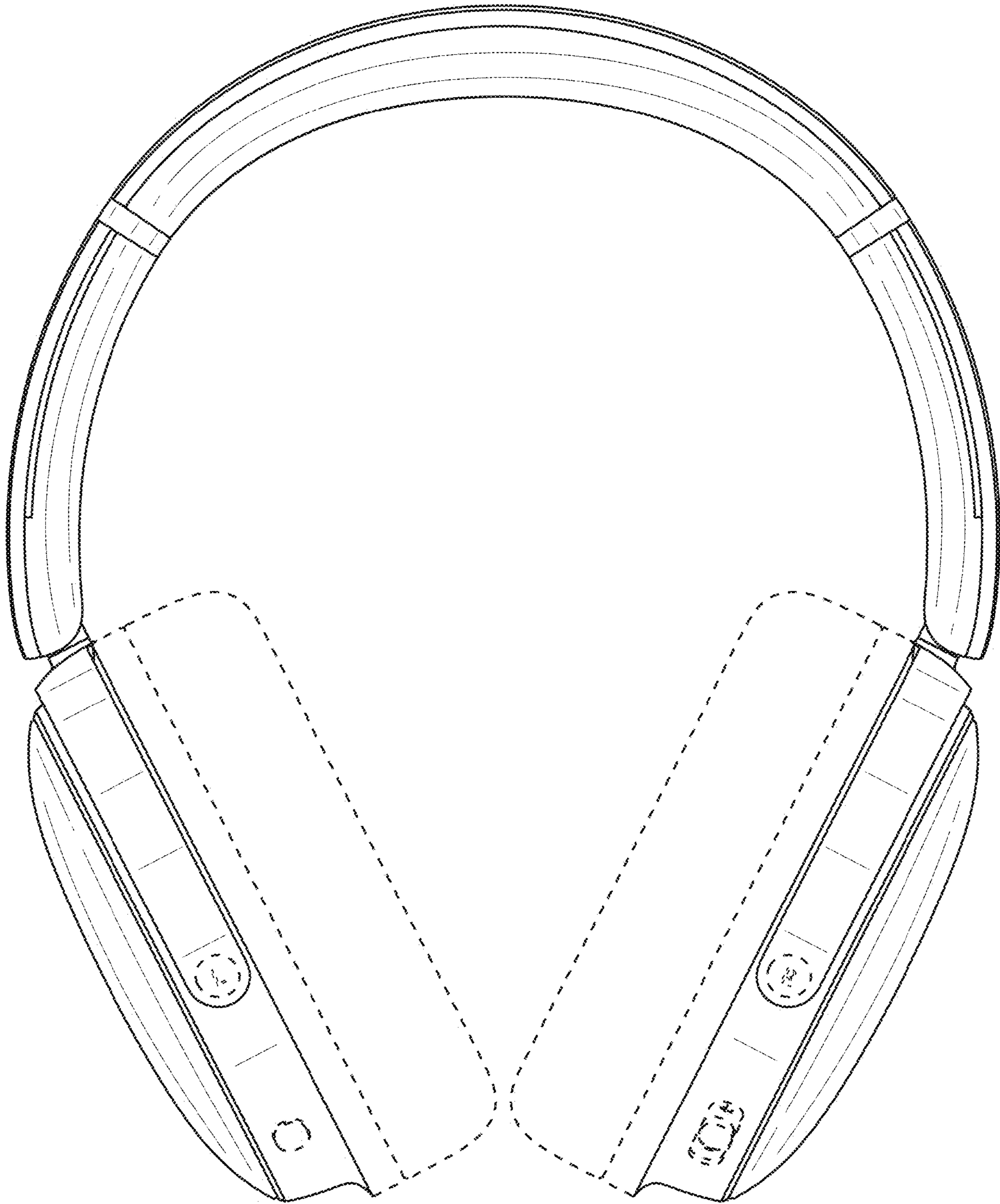


FIG. 3

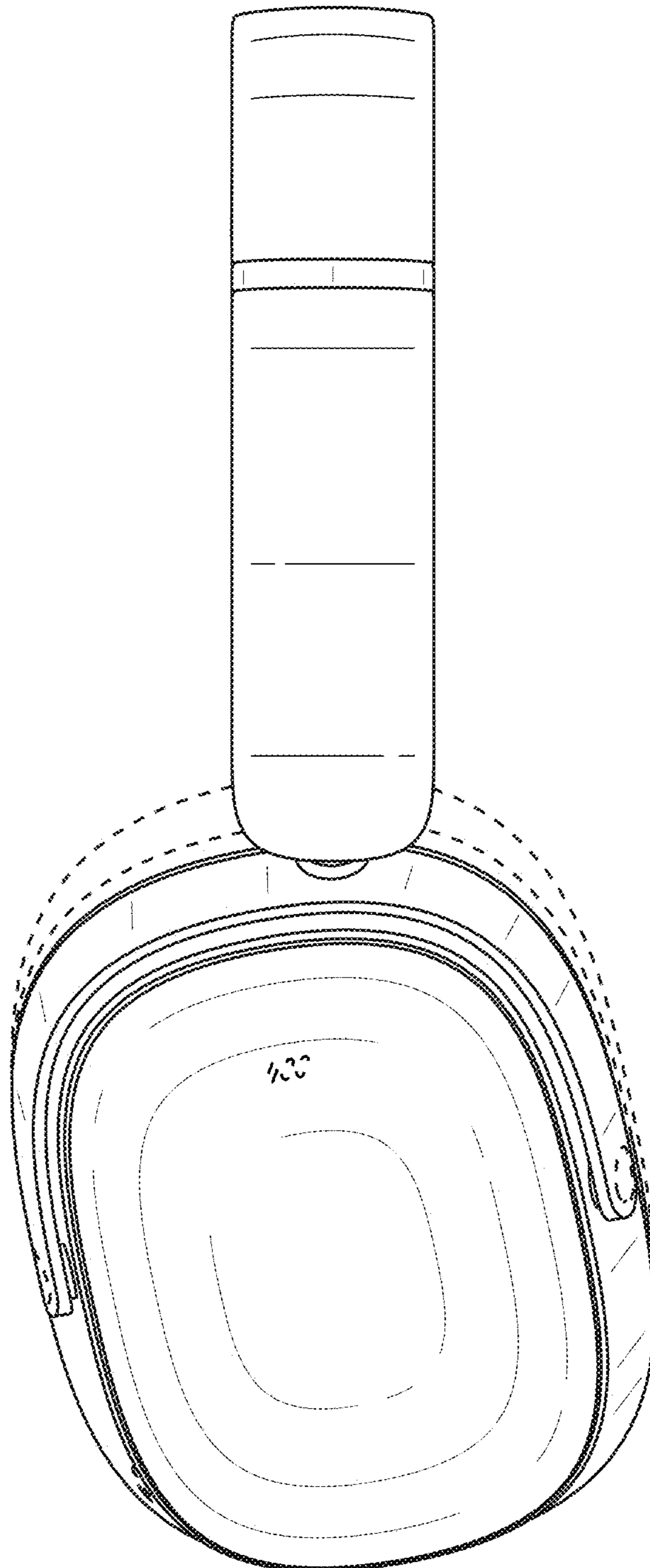


FIG. 4

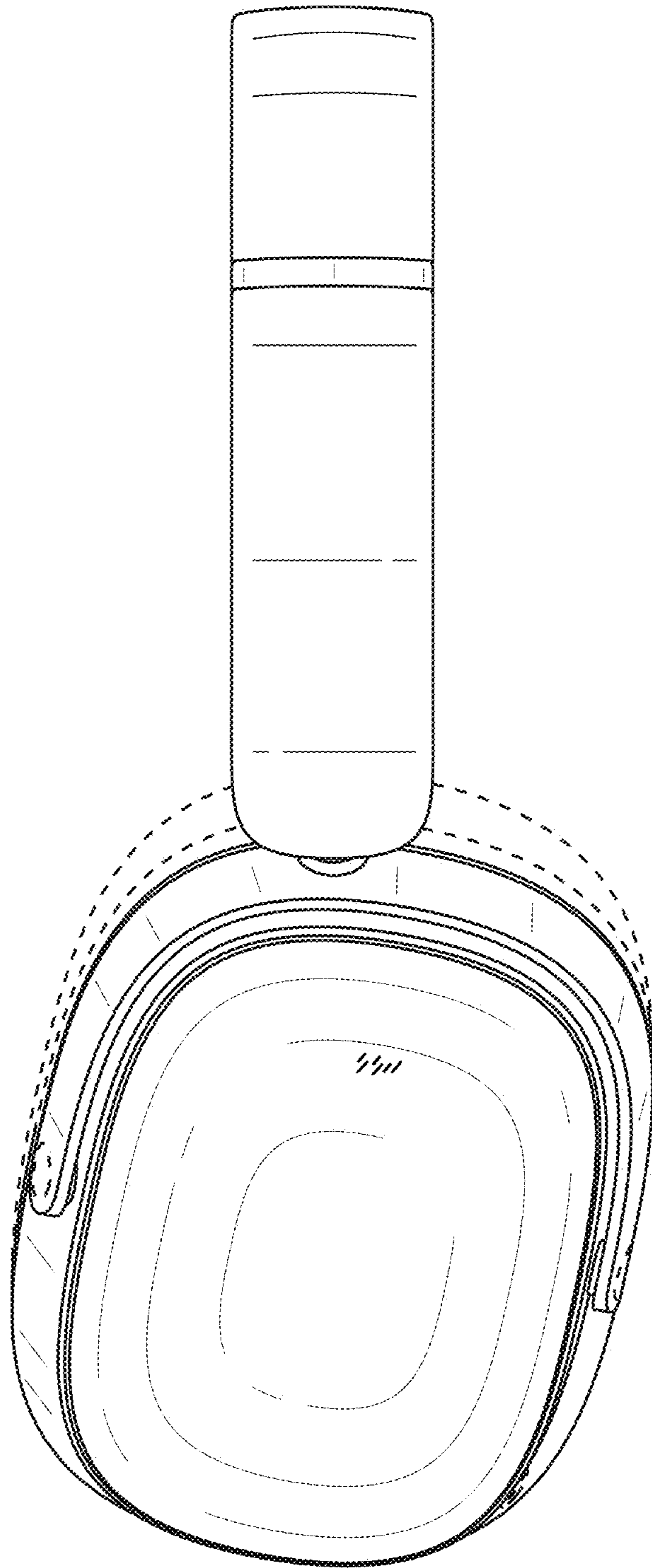


FIG. 5

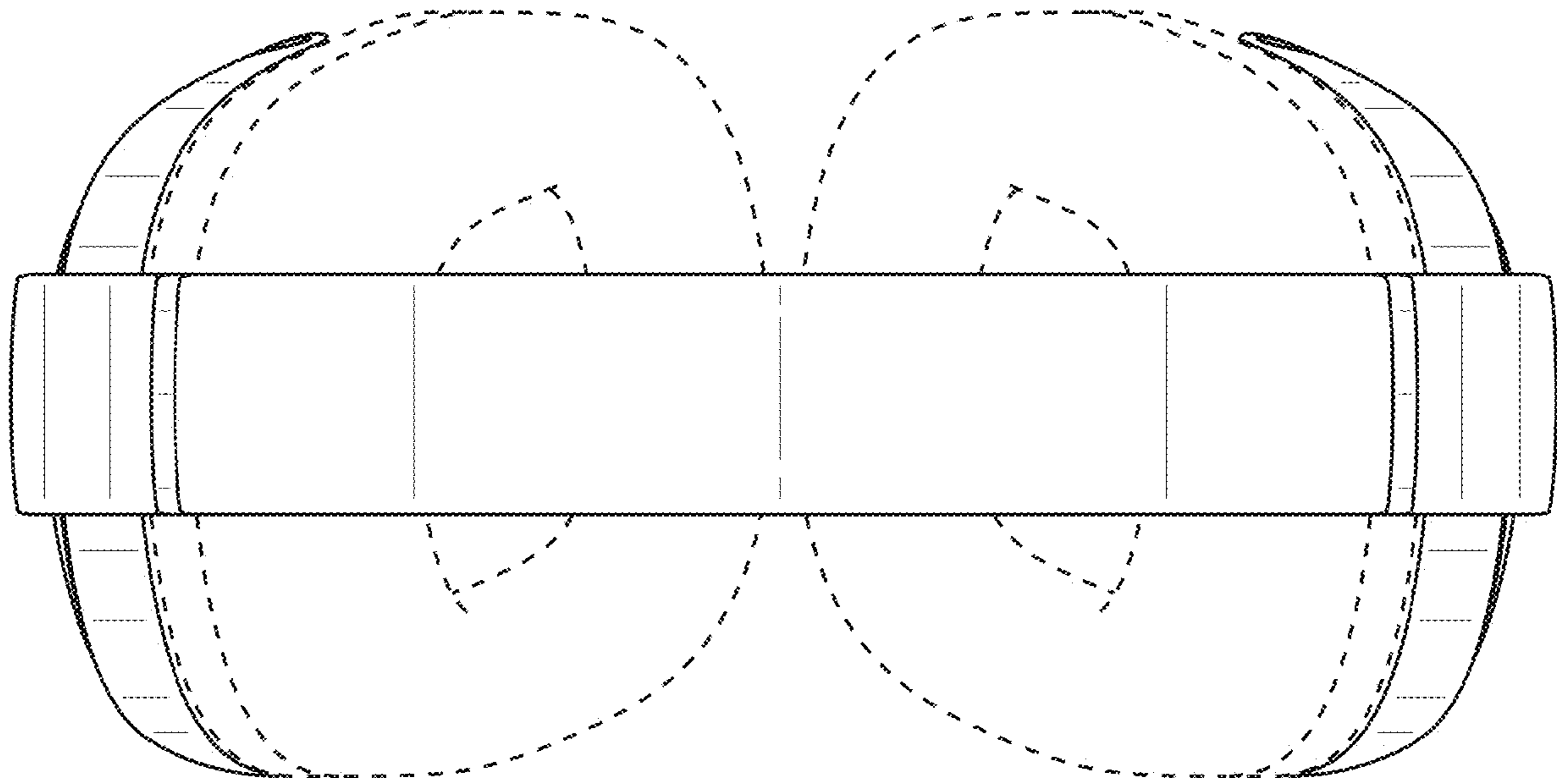


FIG. 6

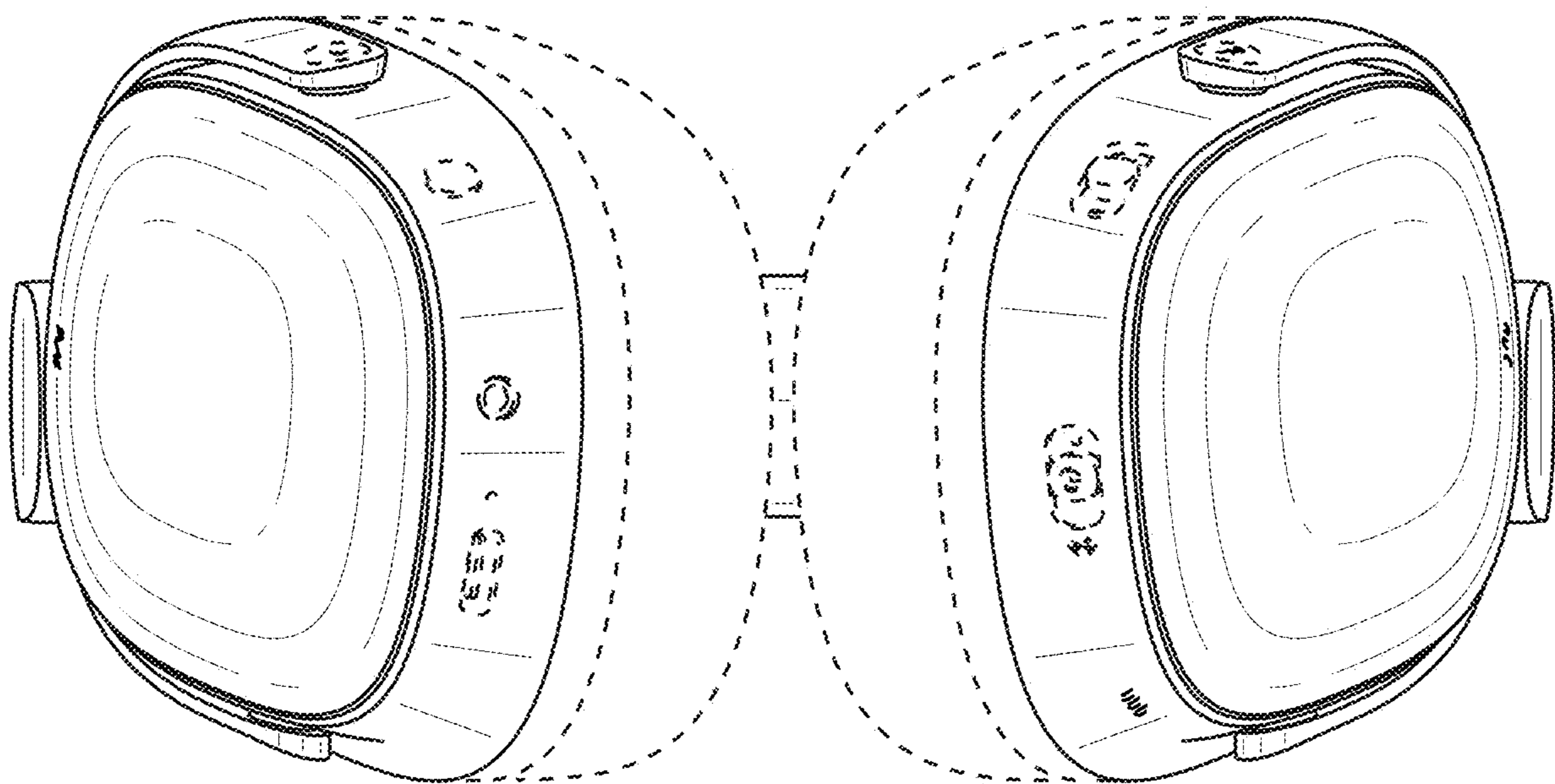


FIG. 7