



US00D900781S

(12) **United States Design Patent** (10) **Patent No.:** **US D900,781 S**  
**Yagi** (45) **Date of Patent:** **\*\* Nov. 3, 2020**

(54) **TURNTABLE**

(71) Applicant: **Panasonic Intellectual Property Management Co., Ltd.**, Osaka-shi, Osaka (JP)

(72) Inventor: **Ryoichi Yagi**, Kyoto (JP)

(73) Assignee: **Panasonic Intellectual Property Management Co., Ltd.**, Osaka (JP)

(\*\*) Term: **15 Years**

(21) Appl. No.: **29/688,908**

(22) Filed: **Apr. 25, 2019**

(30) **Foreign Application Priority Data**

Dec. 26, 2018 (JP) ..... 2018-028354

(51) **LOC (12) Cl.** ..... **14-01**

(52) **U.S. Cl.**  
USPC ..... **D14/203**

(58) **Field of Classification Search**  
USPC ..... D14/199-203, 261; 369/264-265  
CPC ..... B60R 11/02; B60K 37/04; B60K 37/06;  
H04B 1/08; H04B 1/082; G11B 17/16;  
G11B 23/00; G11B 19/16; G11B 33/02  
See application file for complete search history.

(56) **References Cited**

**U.S. PATENT DOCUMENTS**

D249,143 S \* 8/1978 Ohtomo ..... D14/203  
D252,393 S \* 7/1979 Kashidaira ..... D14/203

D256,461 S 8/1980 Guillon  
D258,652 S \* 3/1981 Guillon ..... D14/261  
D261,388 S 10/1981 Vachus  
D433,011 S 10/2000 O'Donnell et al.  
D491,915 S \* 6/2004 Warden ..... D14/203  
D519,102 S \* 4/2006 Liu ..... D14/203  
D803,182 S \* 11/2017 Czaniecki ..... D14/203  
D808,922 S \* 1/2018 Waterman ..... D14/203  
D810,716 S \* 2/2018 Yang ..... D14/203

\* cited by examiner

*Primary Examiner* — Sandra L Morris

(74) *Attorney, Agent, or Firm* — Brinks Gilson & Lione

(57) **CLAIM**

I claim The ornamental design for a turntable, as shown and described.

**DESCRIPTION**

FIG. 1 is a perspective view of a turntable of the present invention;

FIG. 2 is a front view thereof;

FIG. 3 is a rear view thereof;

FIG. 4 is a right side view thereof;

FIG. 5 is a left side view thereof;

FIG. 6 is a top view thereof; and,

FIG. 7 is a bottom view thereof.

The even broken lines show parts of the turntable that represent unclaimed subject matter and form no part of the claimed design. Additionally, the uneven broken lines define the bounds of the claimed design.

**1 Claim, 7 Drawing Sheets**

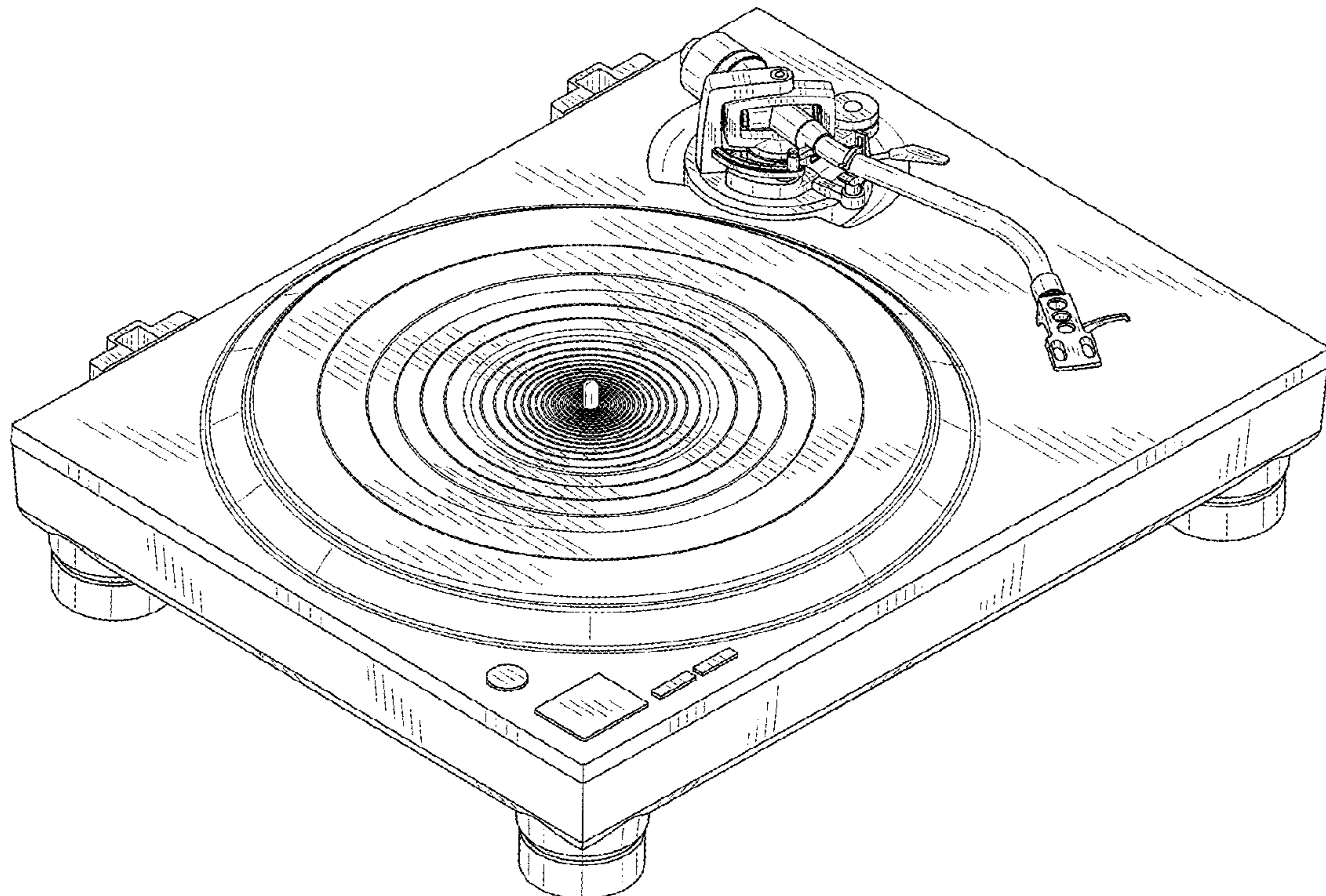


FIG. 1

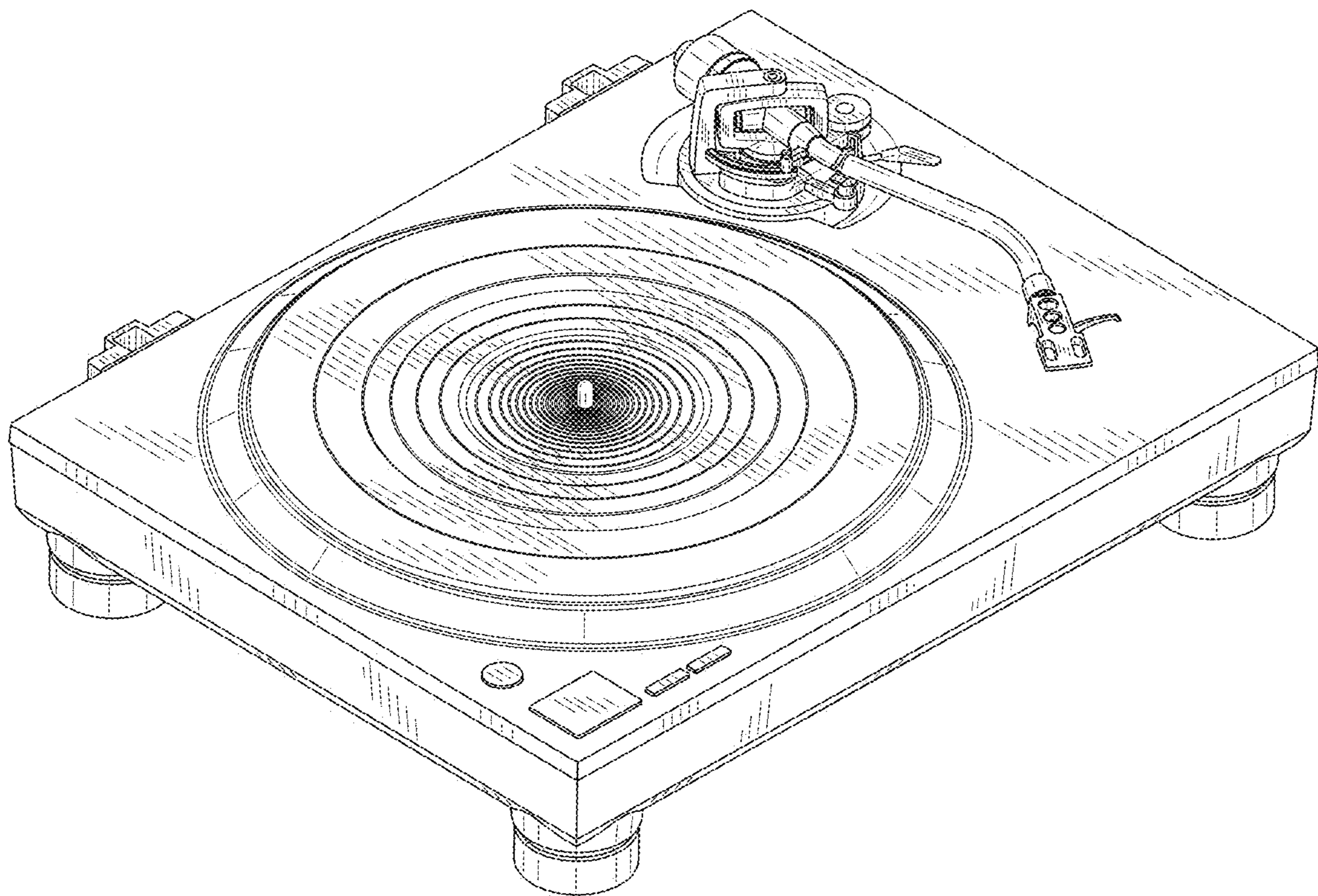


FIG. 2

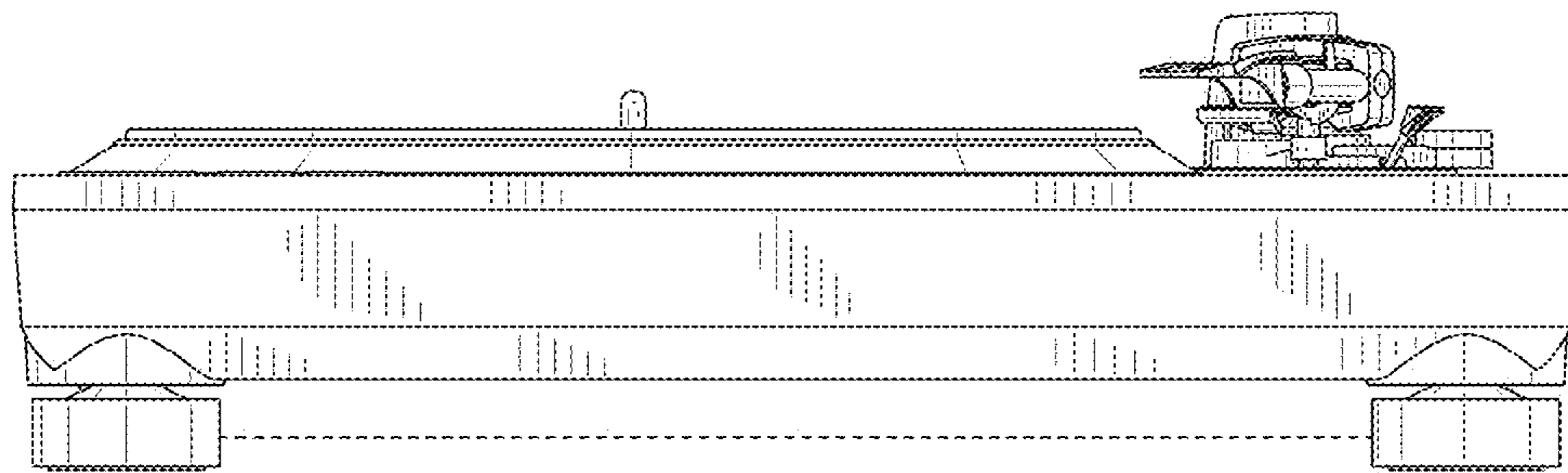


FIG. 3

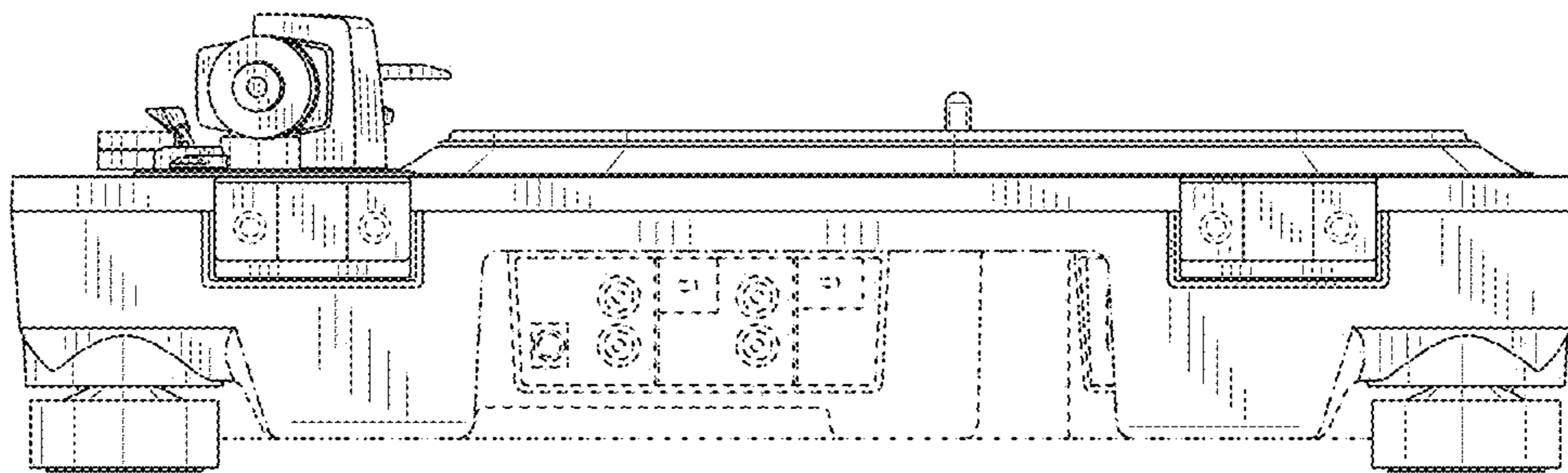


FIG. 4

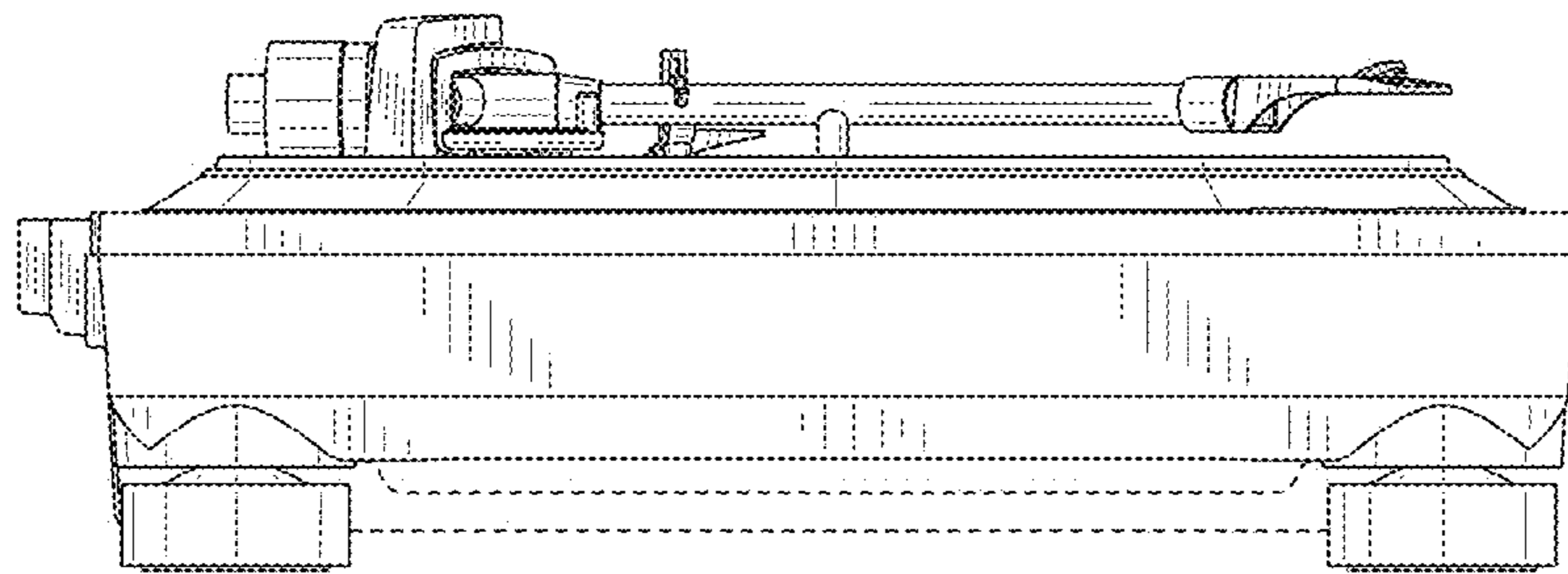


FIG. 5

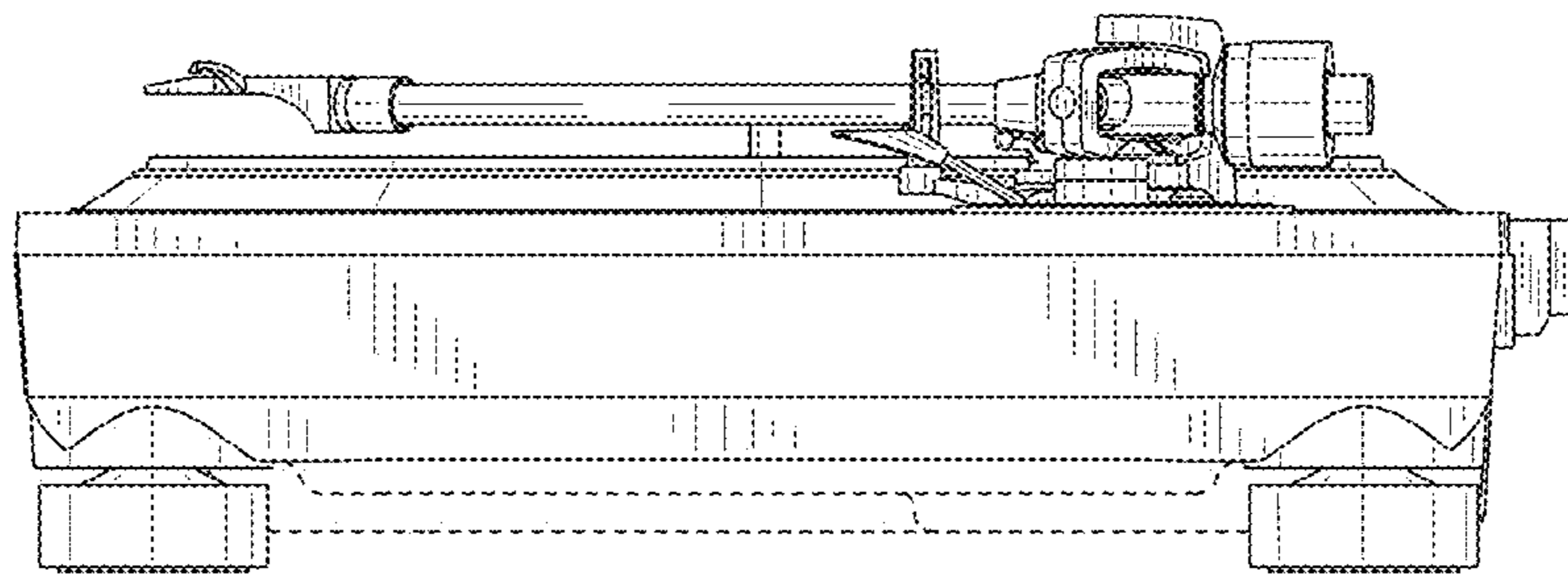


FIG. 6

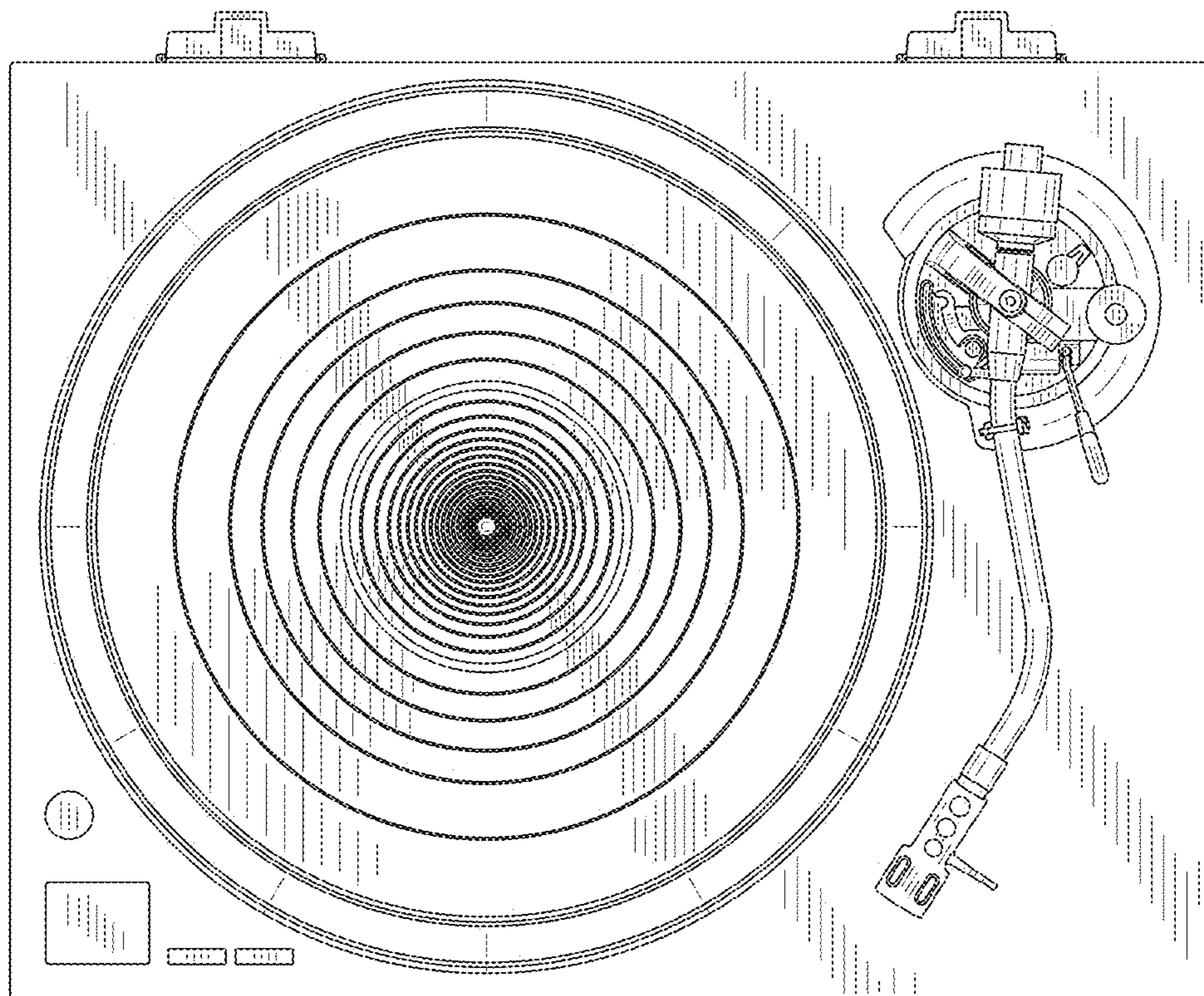


FIG. 7

