



US00D900770S

(12) **United States Design Patent** (10) **Patent No.:** **US D900,770 S**
Lee et al. (45) **Date of Patent:** **** Nov. 3, 2020**

(54) **HIFI AUDIO AND TELEVISION RECEIVER**

Primary Examiner — Khawaja Anwar

(71) Applicant: **LG ELECTRONICS INC.**, Seoul (KR)

(74) *Attorney, Agent, or Firm* — Birch, Stewart, Kolasch & Birch, LLP

(72) Inventors: **Minjae Lee**, Seoul (KR); **Seonkyu Kim**, Seoul (KR); **Youngkyoung Kim**, Seoul (KR); **Cheolwoong Shin**, Seoul (KR); **Hyunbyung Cha**, Seoul (KR); **Yunjoo Kim**, Seoul (KR)

(57) **CLAIM**

The ornamental design for a Hi-Fi audio and television receiver, as shown and described.

(73) Assignee: **LG ELECTRONICS INC.**, Seoul (KR)

DESCRIPTION

(**) Term: **15 Years**

- 1. Hi-Fi audio and television receiver
- 1.1 : Perspective
- 1.2 : Front
- 1.3 : Back
- 1.4 : Left
- 1.5 : Top
- 1.6 : Bottom
- 1.7 : Reference
- 1.8 : Perspective view 2
- 1.9 : Front view 2
- 1.10 : Back view 2
- 1.11 : Left view 2
- 1.12 : Top view 2
- 1.13 : Bottom view 2
- 1.14 : Back perspective view

(21) Appl. No.: **35/507,768**

(22) Filed: **Oct. 18, 2018**

(80) **Hague Agreement Data**

Int. Filing Date: **Oct. 18, 2018**
Int. Reg. No.: **DM/203966**
Int. Reg. Date: **Oct. 18, 2018**
Int. Reg. Pub. Date: **Nov. 15, 2019**

The broken lines depict portions of a HI-FI audio and television receiver that form no part of the claimed design; reproductions 1.1 to 1.6 are the front perspective, front, back, left, top and bottom views showing the receiver in the state when its display is hidden in the main body thereof; reproduction 1.7 is a reference view showing the receiver in the state when the upper cover thereof has been opened backward and the hidden display has come up and forms no part of the claimed design; reproductions 1.8 to 1.14 are the front perspective, front, back, left, top, bottom and back perspective views showing the HI-FI audio and television receiver in the state when the hidden display thereof has come up; the left views are mirror images of the right views; this design is for a HI-FI audio and television receiver with a hidden display and a speaker; when the television is not used, the display is hidden inside of the main body of the receiver as shown in reproductions 1.1 to 1.6, and it can be

(30) **Foreign Application Priority Data**

Apr. 27, 2018 (KR) 30-2018-0020036

(51) **LOC (12) Cl.** **14-03**

(52) **U.S. Cl.**
USPC **D14/126**

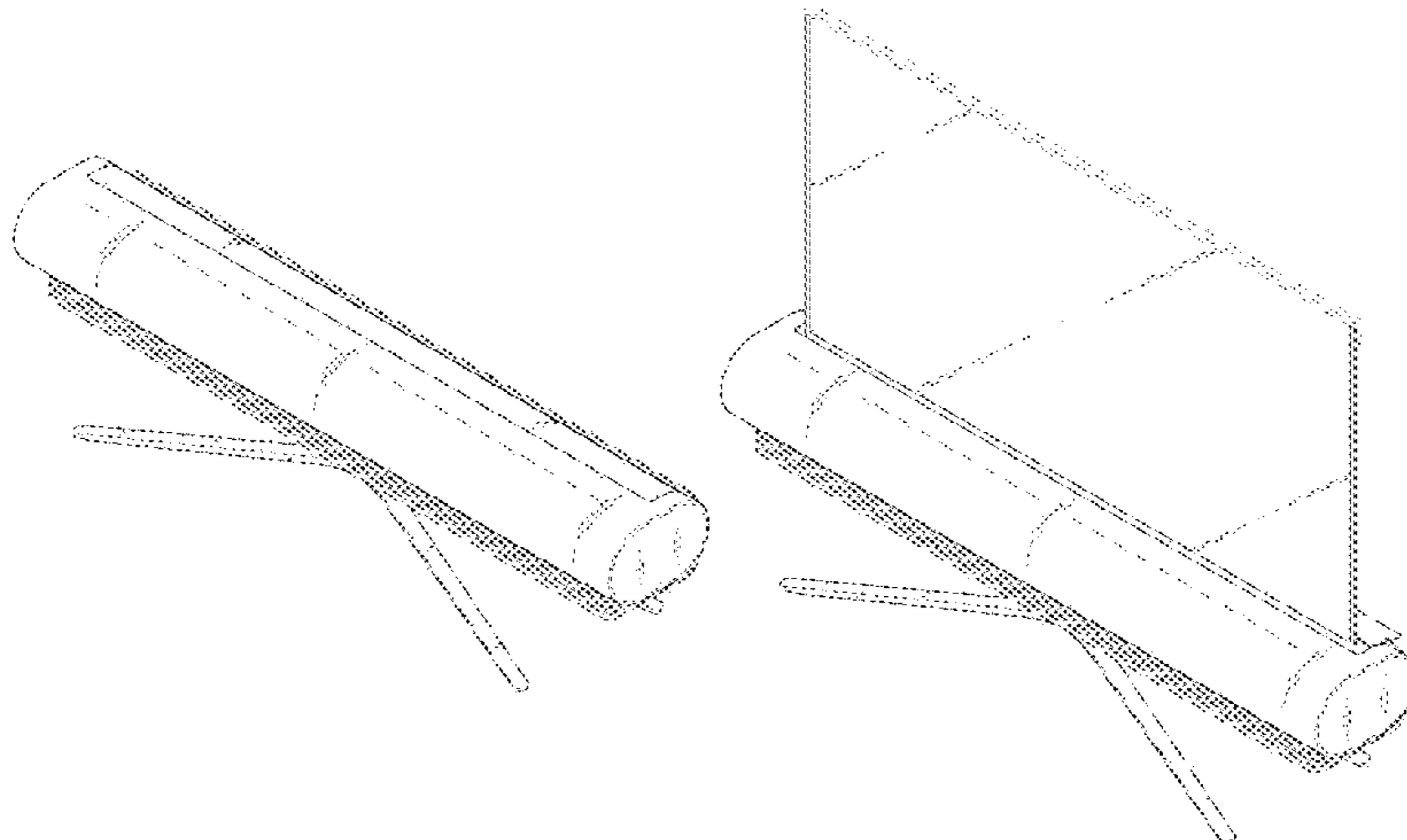
(58) **Field of Classification Search**
USPC D14/125, 126, 336, 371, 374, 377
(Continued)

(56) **References Cited**

U.S. PATENT DOCUMENTS

D802,549 S * 11/2017 Kim D14/126
D807,844 S * 1/2018 Kim D14/126
(Continued)

(Continued)



used as an advanced Hi-Fi audio receiver; when the television is used, the hidden display comes up as shown in reproduction 1.7.

1 Claim, 14 Drawing Sheets

(58) Field of Classification Search

CPC .. H04N 19/176; H04N 21/812; H04N 19/159; H04N 19/105; H04N 19/124; H04N 19/146; H04N 19/52; H04N 19/593; H04N 21/2668; H04N 19/117; H04N 19/13; H04N 19/154; H04N 19/513; H04N 19/59; H04N 19/61; H04N 21/235; H04N 21/4126; H04N 21/4307; H04N 21/435; H04N 21/44204; H04N 21/44222; H04N 21/4622; H04N 21/472; H04N 21/4722; H04N 21/4788; H04N 21/8133; H04N 21/858; H04N 19/139; H04N 19/172; H04N 19/174; H04N 19/184; H04N 19/51; H04N 19/597; H04N 19/70; H04N 19/96; H04N 21/2187; H04N 21/23418; H04N 21/2407; H04N 21/25891; H04N 21/41407; H04N 21/4223; H04N 21/47217; H04N 21/47815; H04N 21/64322; H04N 21/6581; H04N 21/6582; H04N 21/8352; H04N 21/8549; H04N 21/8586; H04N 13/111; H04N 13/117; H04N 13/128; H04N 13/15; H04N 13/296; H04N 13/305; H04N 19/102; H04N 19/109; H04N 19/115; H04N 19/132; H04N 19/136; H04N 19/17; H04N 19/177; H04N 19/436; H04N 19/463; H04N 19/503; H04N 19/53; H04N 19/563; H04N 19/577; H04N 19/82; H04N 19/91; H04N 21/222; H04N 21/23103; H04N 21/23106; H04N 21/233; H04N 21/2353; H04N 21/236; H04N 21/2362; H04N 21/238; H04N 21/2387; H04N 21/2393; H04N 21/2402; H04N 21/251; H04N 21/26258; H04N 21/2743; H04N 21/2747; H04N 21/4147; H04N 21/4316; H04N 21/4334; H04N 21/437; H04N 21/4383; H04N 21/44016; H04N 21/442; H04N 21/44213; H04N 21/4532; H04N 21/462; H04N 21/47202; H04N 21/4725; H04N 21/4781; H04N 21/4782; H04N 21/647; H04N 21/64378; H04N 21/6587; H04N 21/8358; H04N 21/8456; H04N 5/23238; H04N 5/247; H04N 5/76; H04N 7/17336; H04N 13/139; H04N 13/144; H04N 13/161; H04N 13/194; H04N 13/221; H04N 13/229; H04N 13/239; H04N 13/246; H04N 13/261; H04N 13/271; H04N 13/282; H04N 13/317; H04N 13/324; H04N 13/337; H04N 13/341; H04N 13/344; H04N 13/366; H04N 13/376; H04N 13/378; H04N 17/002; H04N 19/00; H04N 19/107; H04N 19/122; H04N 19/129; H04N 19/134; H04N 19/14; H04N 19/157; H04N 19/167; H04N 19/179; H04N 19/186; H04N 19/1883; H04N 19/189; H04N 19/192;

H04N 19/197; H04N 19/30; H04N 19/33; H04N 19/433; H04N 19/439; H04N 19/44; H04N 19/50; H04N 19/517; H04N 19/573; H04N 19/60; H04N 19/615; H04N 19/63; H04N 19/68; H04N 19/86; H04N 19/90; H04N 19/93; H04N 2005/441; H04N 2013/0081; H04N 21/20; H04N 21/2146; H04N 21/21805; H04N 21/2181; H04N 21/23113; H04N 21/23116; H04N 21/23406; H04N 21/23412; H04N 21/23424; H04N 21/23439; H04N 21/2347; H04N 21/23611; H04N 21/2368; H04N 21/237; H04N 21/2383; H04N 21/23892; H04N 21/2408; H04N 21/242; H04N 21/252; H04N 21/2542; H04N 21/2543; H04N 21/258; H04N 21/25875; H04N 21/25883; H04N 21/262; H04N 21/26216; H04N 21/26291; H04N 21/266; H04N 21/26603; H04N 21/27; H04N 21/278; H04N 21/4131; H04N 21/41422; H04N 21/422; H04N 21/42203; H04N 21/42204; H04N 21/42209; H04N 21/4222; H04N 21/42222; H04N 21/42224; H04N 21/4227; H04N 21/4302; H04N 21/431; H04N 21/4312; H04N 21/4314; H04N 21/433; H04N 21/4333; H04N 21/4335; H04N 21/4345; H04N 21/436; H04N 21/43615; H04N 21/439; H04N 21/44; H04N 21/44004; H04N 21/44008; H04N 21/4415; H04N 21/44209; H04N 21/44218; H04N 21/44231; H04N 21/4424; H04N 21/443; H04N 21/4431; H04N 21/4524; H04N 21/4621; H04N 21/4661; H04N 21/4667; H04N 21/475; H04N 21/4755; H04N 21/4758; H04N 21/478; H04N 21/4784; H04N 21/4821; H04N 21/4825; H04N 21/61; H04N 21/6106; H04N 21/6118; H04N 21/6125; H04N 21/6131; H04N 21/6143; H04N 21/6168; H04N 21/6193; H04N 221/637; H04N 21/643; H04N 21/6437; H04N 21/64707; H04N 21/64723; H04N 21/8113; H04N 21/8146; H04N 21/816; H04N 21/8173; H04N 21/84; H04N 21/8543; H04N 21/8545; H04N 2213/008; H04N 5/23219; H04N 5/23293; H04N 5/2624; H04N 5/2628; H04N 5/265; H04N 5/44504; H04N 5/44543; H04N 5/44591; H04N 5/9202; H04N 7/08; H04N 7/147; H04N 7/148; H04N 7/152; H04N 7/173; H04N 7/186

See application file for complete search history.

(56)

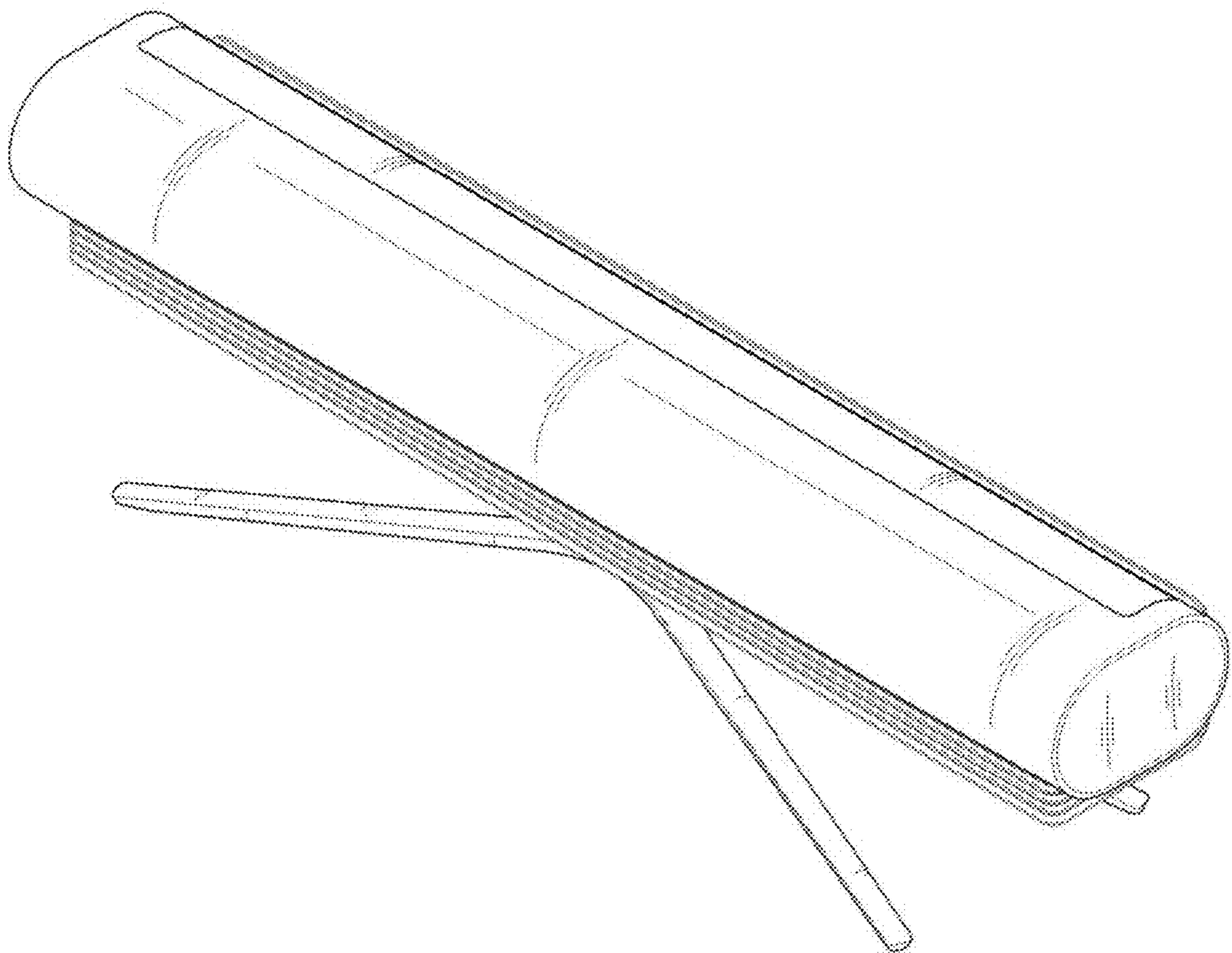
References Cited

U.S. PATENT DOCUMENTS

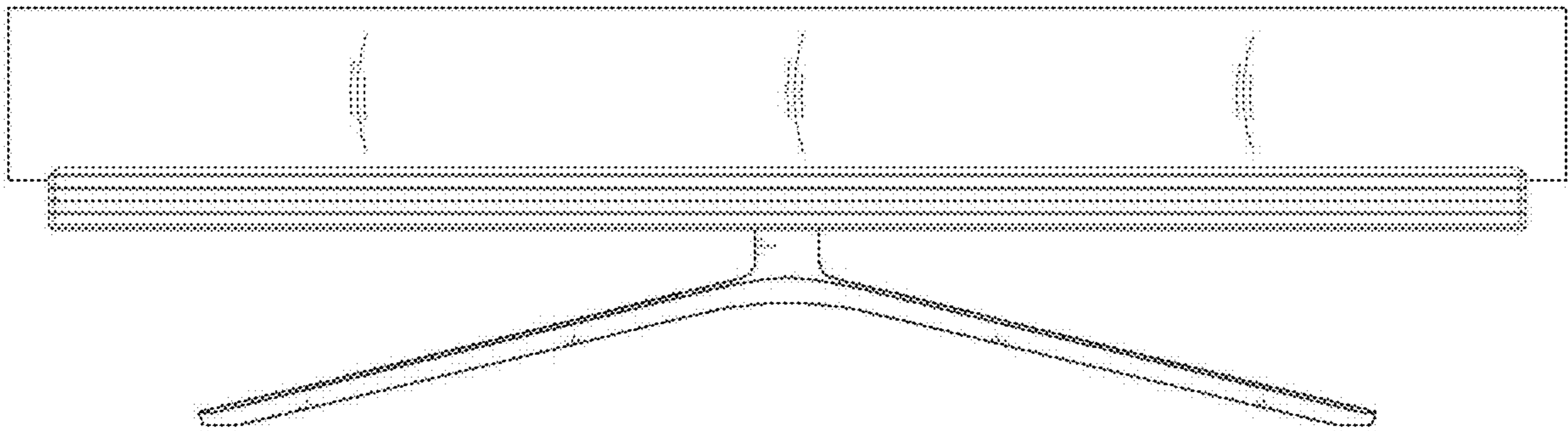
| | | | | | | |
|----------|---|---|---------|-------|-------|---------|
| D813,832 | S | * | 3/2018 | Kim | | D14/126 |
| D818,977 | S | * | 5/2018 | Kim | | D14/126 |
| D821,342 | S | * | 6/2018 | Kim | | D14/126 |
| D823,823 | S | * | 7/2018 | Kim | | D14/126 |
| D830,323 | S | * | 10/2018 | Huang | | D14/127 |
| D887,379 | S | * | 6/2020 | Cha | | D14/126 |
| D887,380 | S | * | 6/2020 | Lee | | D14/126 |

* cited by examiner

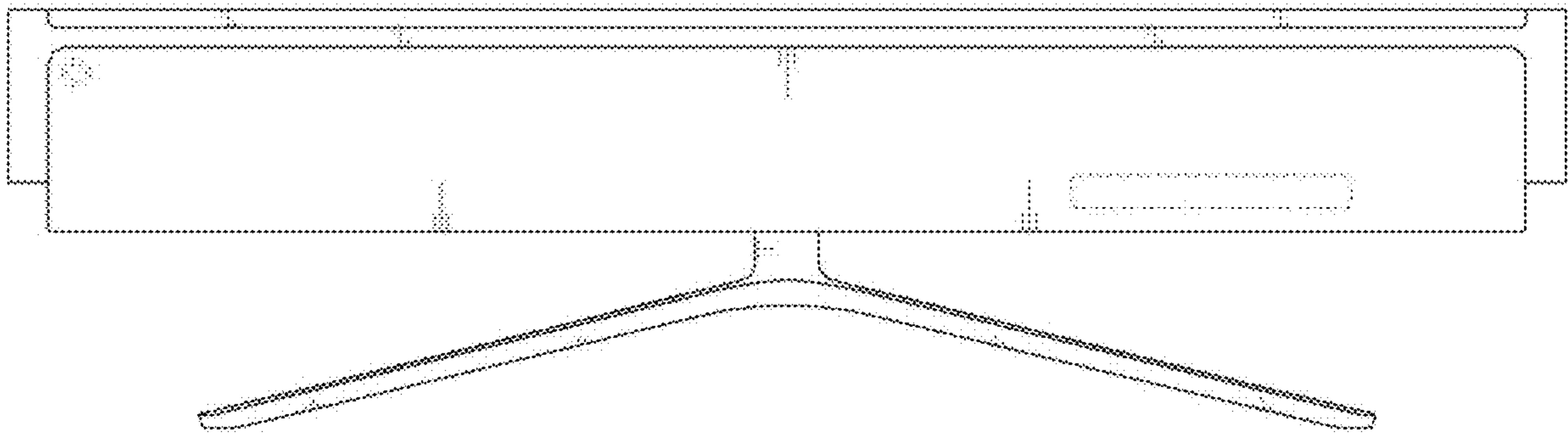
1.1



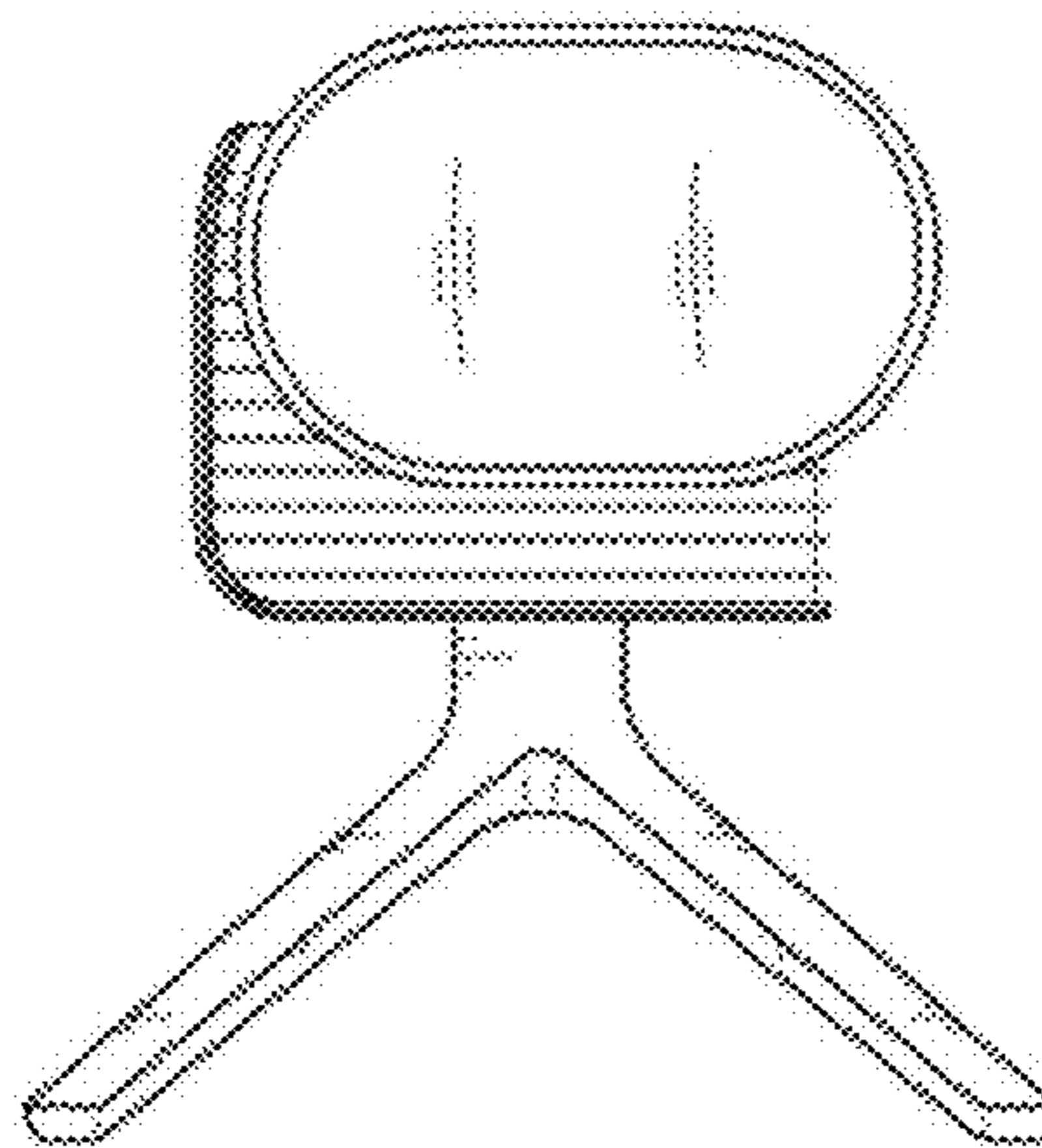
1.2



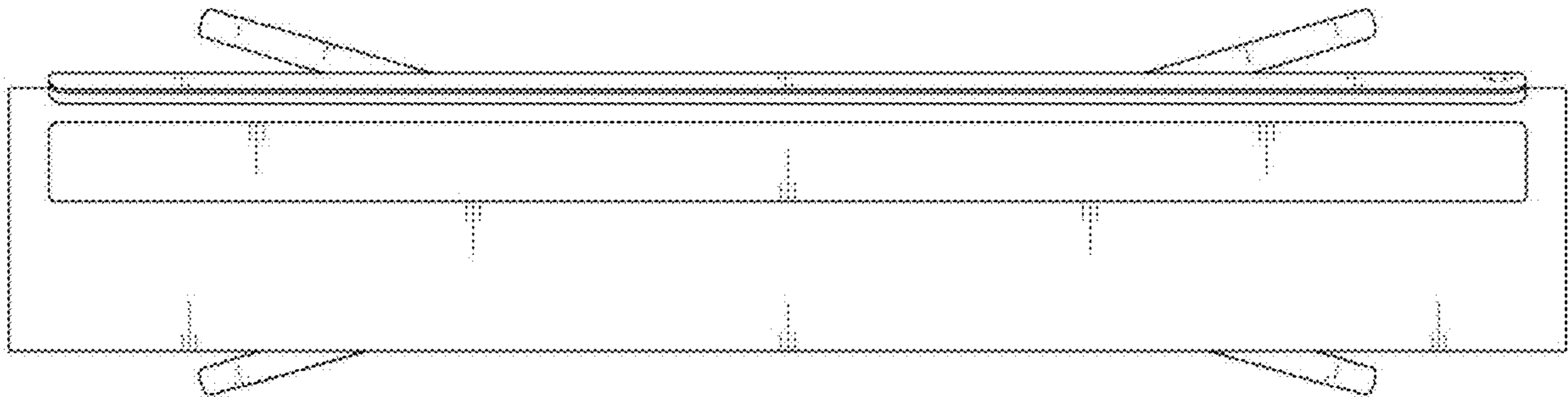
1.3



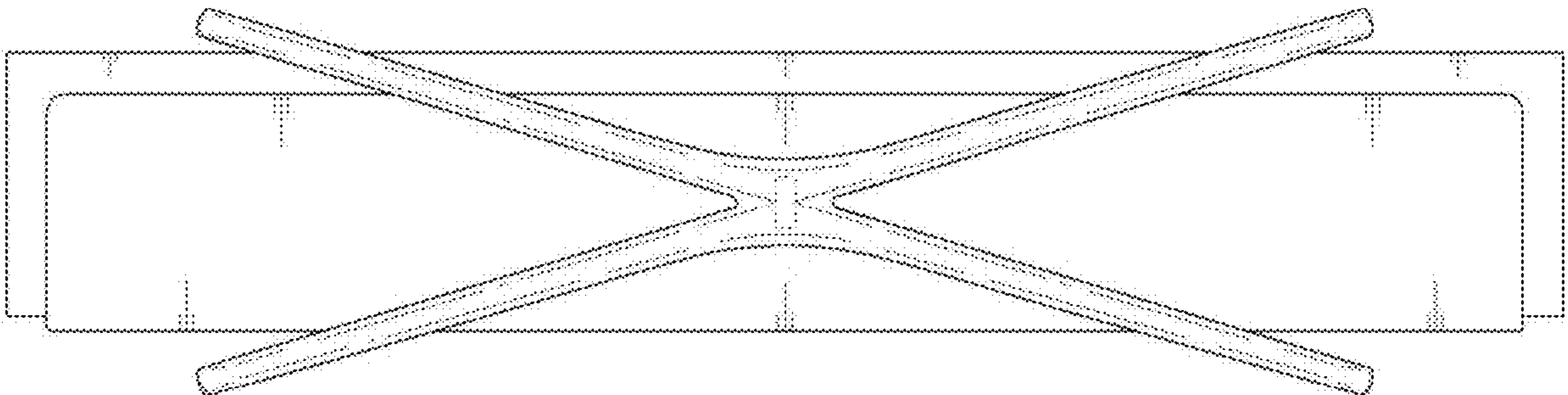
1.4



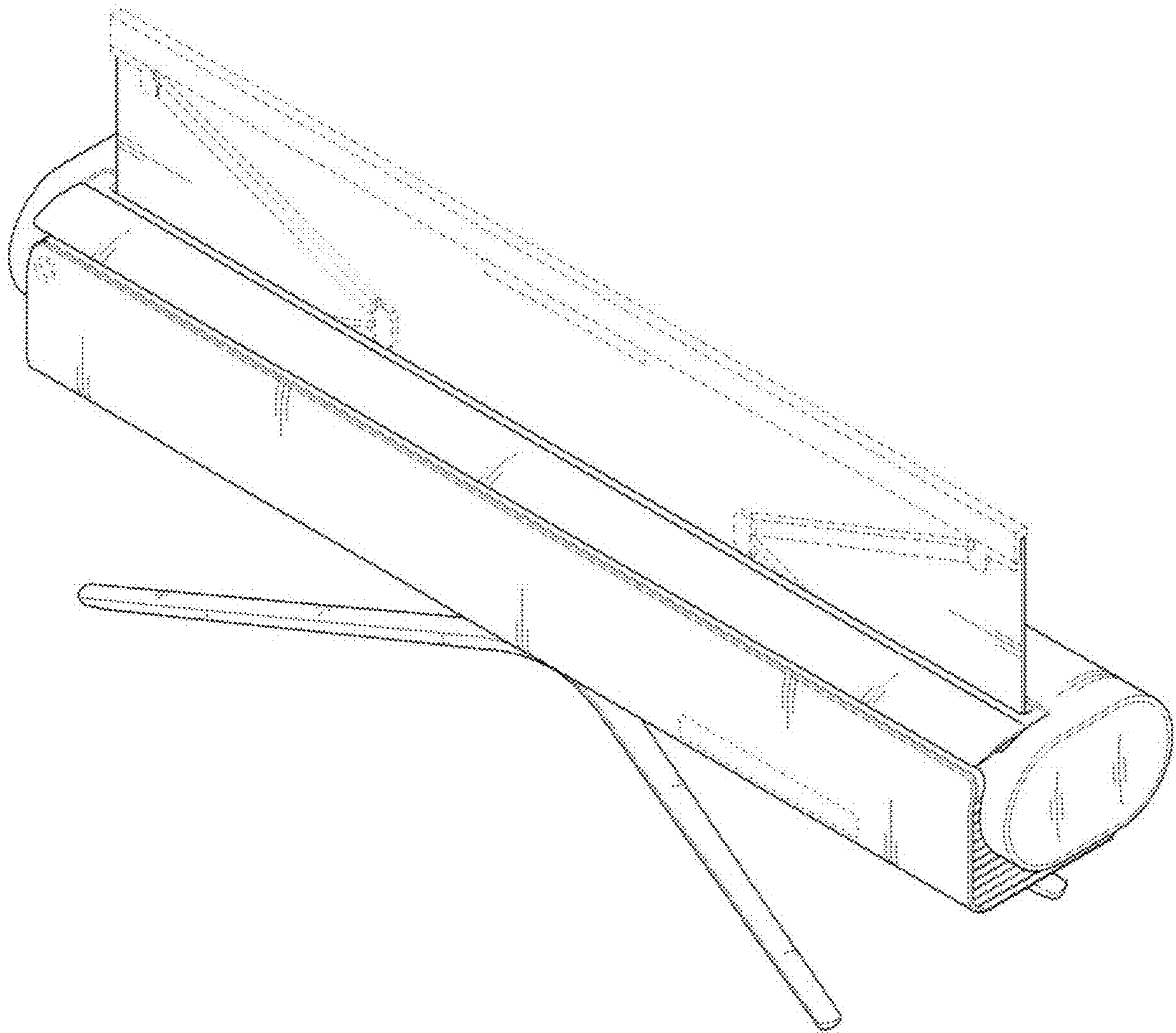
1.5



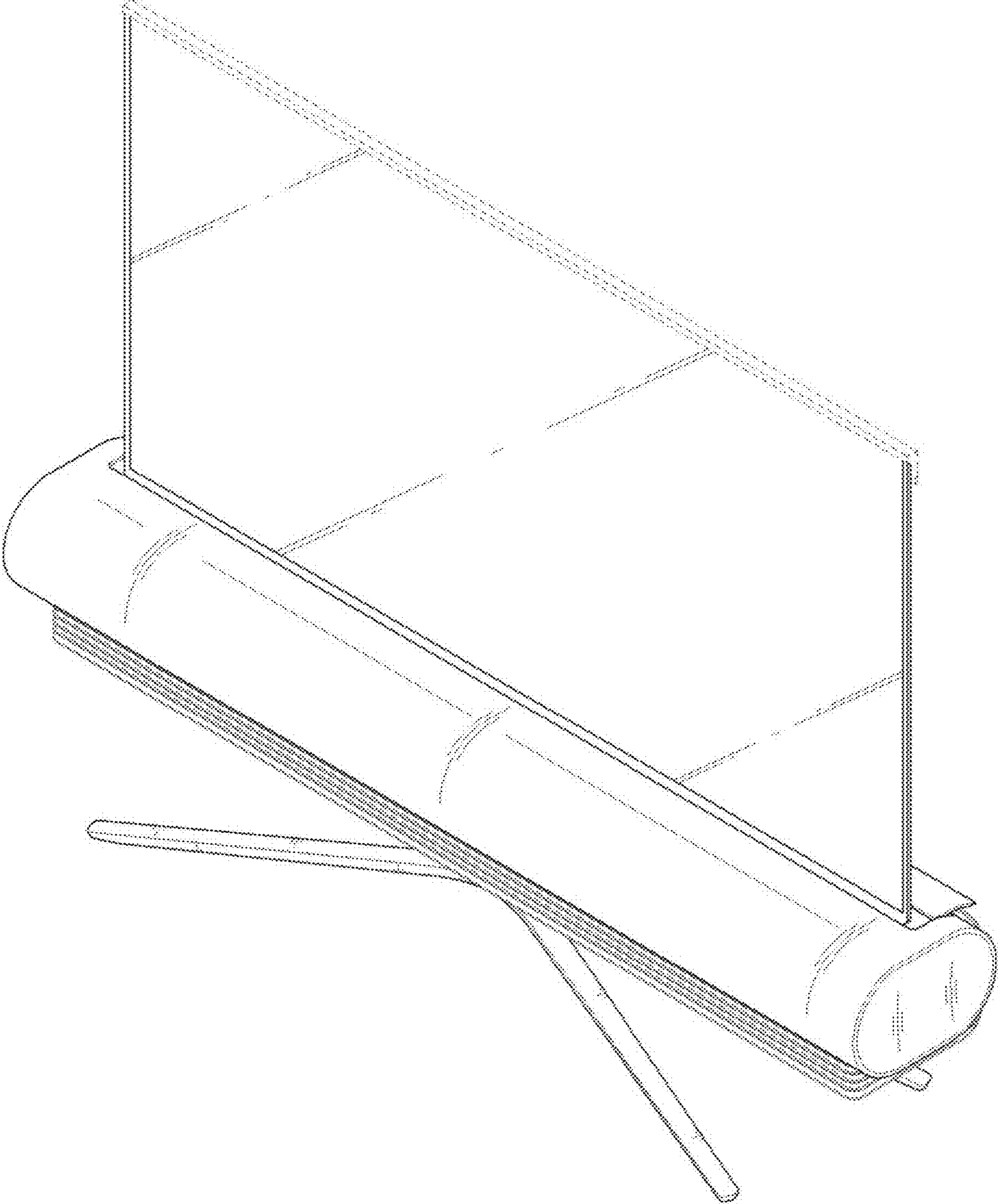
1.6



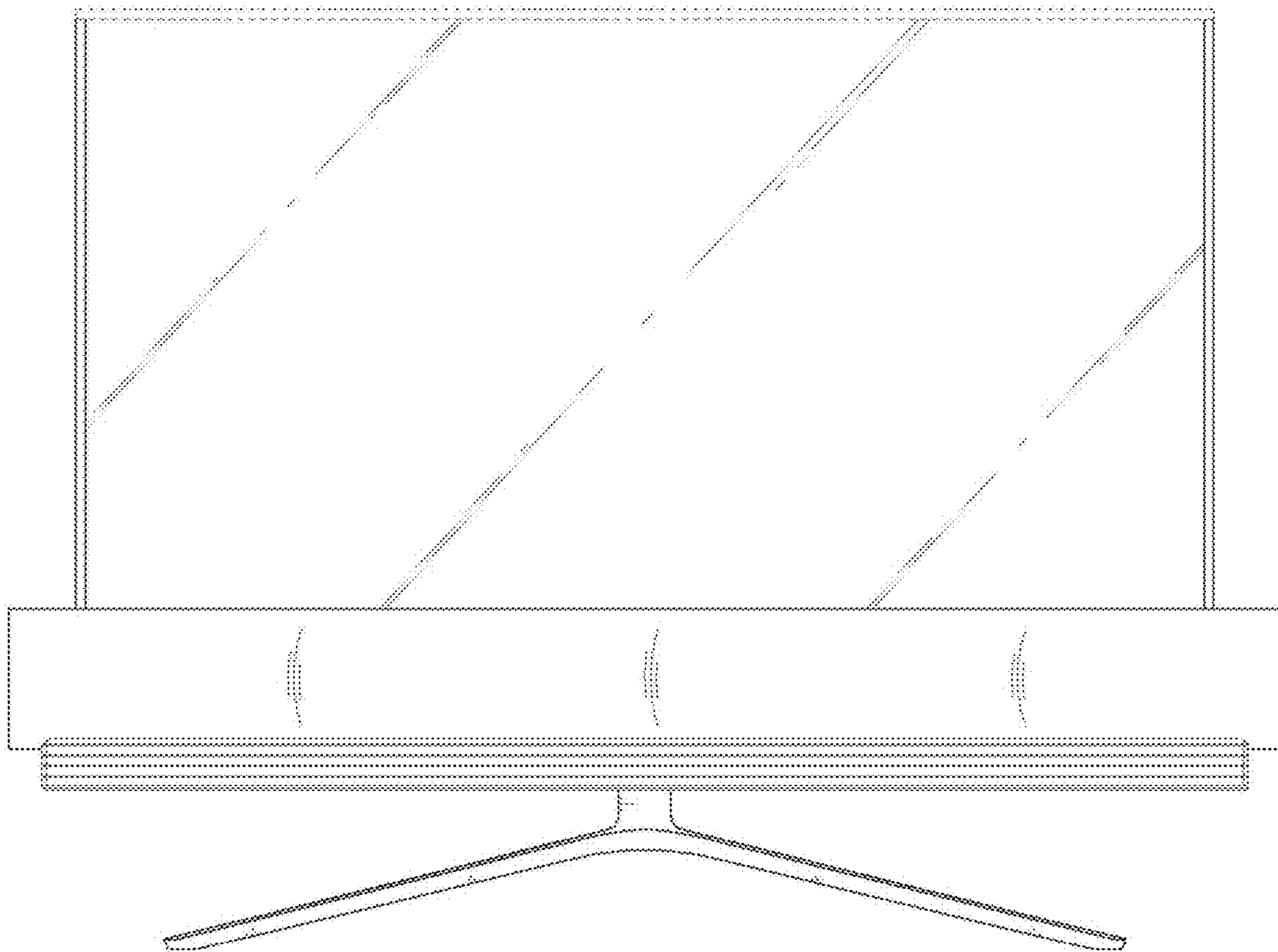
1.7



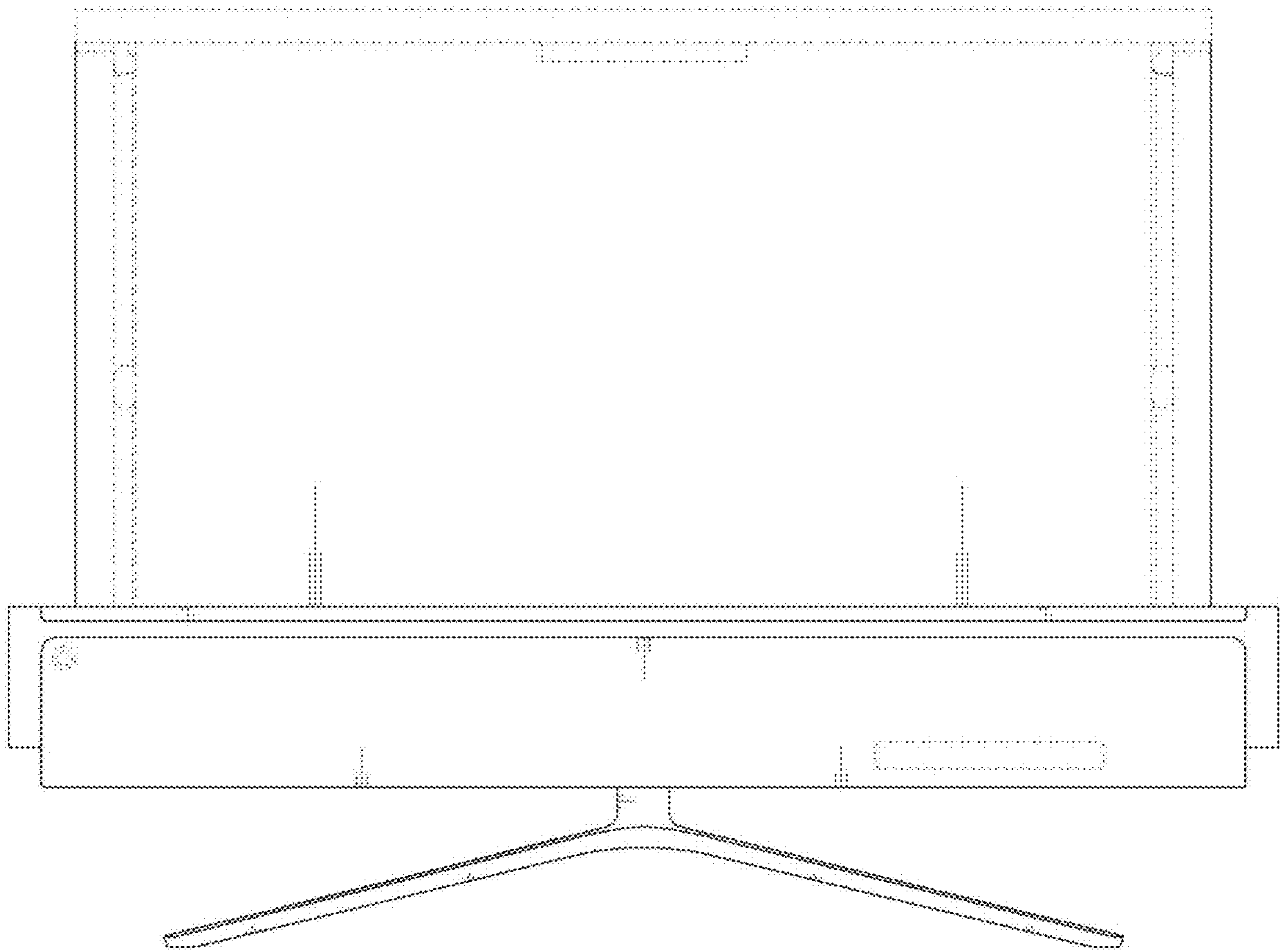
1.8



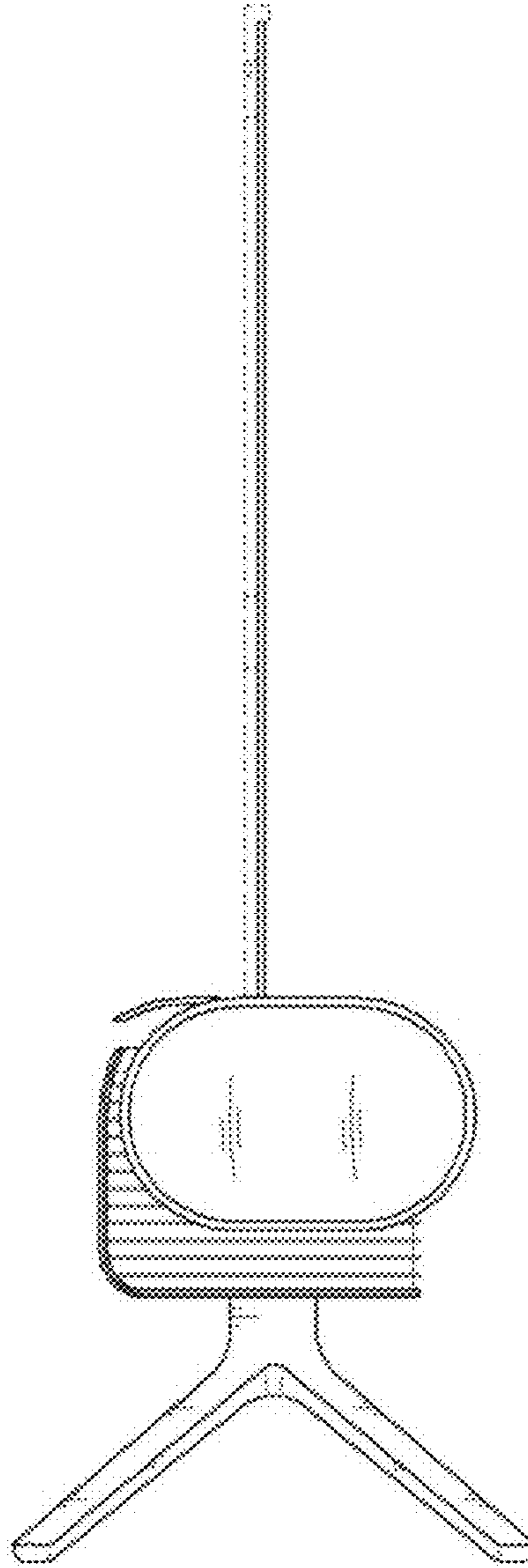
1.9



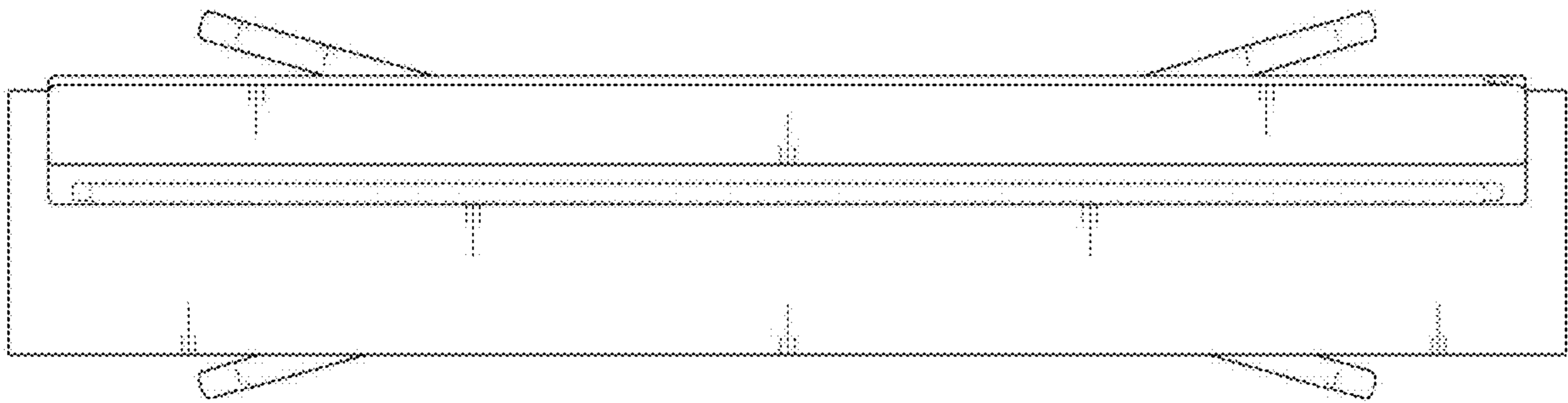
1.10



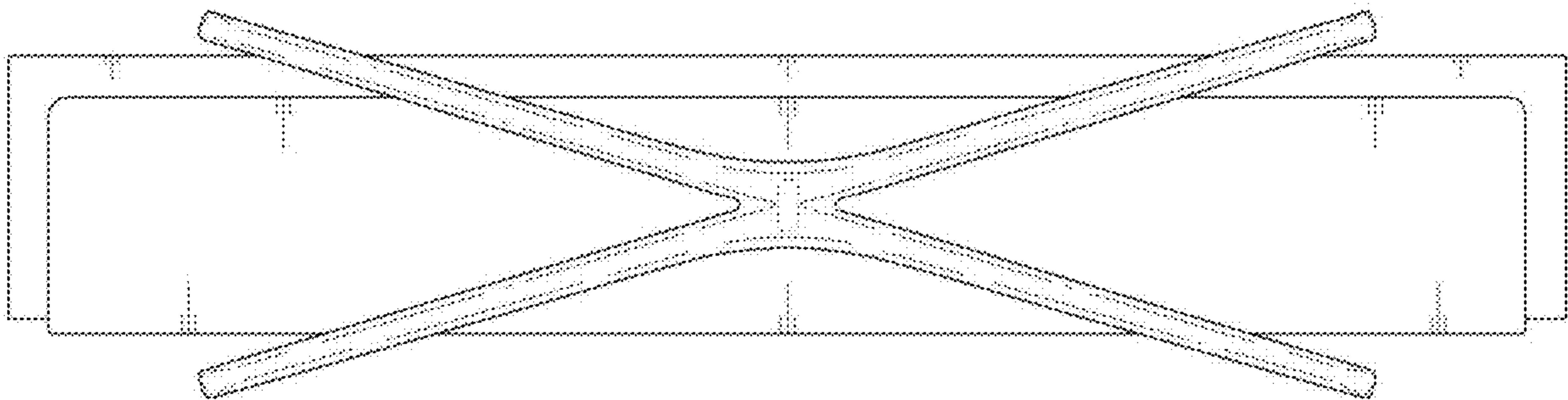
1.11



1.12



1.13



1.14

