



US00D900767S

(12) **United States Design Patent**  
**Kim et al.**

(10) **Patent No.:** **US D900,767 S**  
(45) **Date of Patent:** **\*\* Nov. 3, 2020**

(54) **TELEVISION APPARATUS**

(71) Applicant: **LG ELECTRONICS INC.**, Seoul (KR)

(72) Inventors: **Yooseok Kim**, Seoul (KR); **Younsoo Kim**, Seoul (KR); **Hyoungwon Kim**, Seoul (KR); **Younghun Jang**, Seoul (KR)

(73) Assignee: **LG ELECTRONICS INC.**, Seoul (KR)

(\*\*) Term: **15 Years**

(21) Appl. No.: **35/507,679**

(22) Filed: **May 8, 2019**

(80) **Hague Agreement Data**

Int. Filing Date: **May 8, 2019**  
Int. Reg. No.: **DM/203543**  
Int. Reg. Date: **May 8, 2019**  
Int. Reg. Pub. Date: **Nov. 8, 2019**

(30) **Foreign Application Priority Data**

Nov. 20, 2018 (KR) ..... 30-2018-0053775

(51) **LOC (12) Cl.** ..... **14-03**

(52) **U.S. Cl.**  
USPC ..... **D14/126**

(58) **Field of Classification Search**

USPC ..... D14/126, 336, 371, 374, 377  
CPC .. H04N 19/176; H04N 21/812; H04N 19/159;  
H04N 19/105; H04N 19/124; H04N 19/46;  
H04N 19/52; H04N 19/593; H04N 21/2668;  
H04N 19/117; H04N 19/13; H04N 19/154;  
H04N 19/513; H04N 19/59; H04N 19/61;  
H04N 21/235; H04N 21/4126; H04N 21/4307;  
H04N 21/435; H04N 21/44204; H04N 21/44222;  
H04N 21/4622; H04N 21/472; H04N 21/4722;  
H04N 21/4788; H04N 21/8133; H04N

21/858; H04N 19/139; H04N 19/172;  
H04N 19/174; H04N 19/184; H04N 19/51;  
H04N 19/597; H04N 19/70; H04N 19/96;  
H04N 21/2187; H04N 21/23418; H04N 21/2407;  
H04N 21/25891; H04N 21/41407; H04N 21/4223;  
H04N 21/47217; H04N 21/47815; H04N 21/64322;  
H04N 21/6581; H04N 21/6582; H04N 21/8352;  
H04N 21/8549; H04N 21/8586; H04N 13/111;  
H04N 13/117; H04N 13/128; H04N 13/15;  
H04N 13/296; H04N 13/305; H04N 19/102;  
H04N 19/109; H04N 19/115; H04N 19/132;  
H04N 19/136; H04N 19/146; H04N 19/17;  
H04N  
(Continued)

(56) **References Cited**

U.S. PATENT DOCUMENTS

D545,778 S \* 7/2007 Isshiki ..... D14/126  
D562,788 S \* 2/2008 Asanuma ..... D14/126  
(Continued)

*Primary Examiner* — Khawaja Anwar

(74) *Attorney, Agent, or Firm* — Birch, Stewart, Kolasch & Birch, LLP

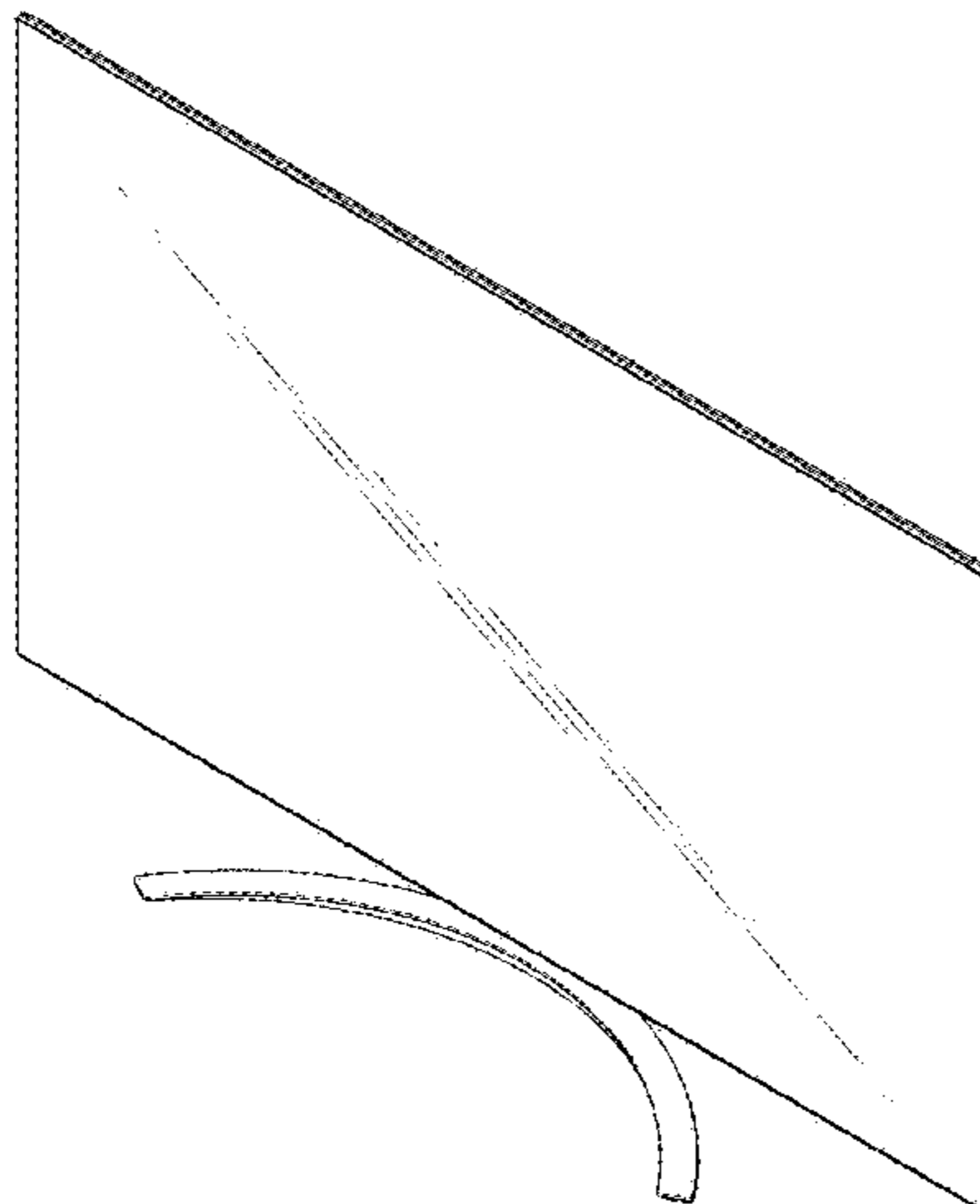
(57) **CLAIM**

The ornamental design for a television apparatus, as shown and described.

**DESCRIPTION**

- 1. Television apparatus
- 1.1 : Perspective
- 1.2 : Rear perspective view
- 1.3 : Front
- 1.4 : Back
- 1.5 : Left
- 1.6 : Right
- 1.7 : Top
- 1.8 : Bottom

(Continued)



The broken lines indicate portions of the article that form no part of the claimed design.

**1 Claim, 8 Drawing Sheets**

**(58) Field of Classification Search**

CPC .. 19/177; H04N 19/436; H04N 19/463; H04N 19/503; H04N 19/53; H04N 19/563; H04N 19/577; H04N 19/82; H04N 19/91; H04N 21/222; H04N 21/23103; H04N 21/23106; H04N 21/233; H04N 21/2353; H04N 21/236; H04N 21/2362; H04N 21/238; H04N 21/2387; H04N 21/2393; H04N 21/2402; H04N 21/251; H04N 21/26258; H04N 21/2743; H04N 21/2747; H04N 21/4147; H04N 21/4316; H04N 21/4334; H04N 21/437; H04N 21/4383; H04N 21/44016; H04N 21/442; H04N 21/44213; H04N 21/4532; H04N 21/462; H04N 21/47202; H04N 21/4725; H04N 21/4781; H04N 21/4782; H04N 21/647; H04N 21/64738; H04N 21/6587; H04N 21/8358; H04N 21/8456; H04N 5/23238; H04N 5/247; H04N 5/76; H04N 7/17336; H04N 13/139; H04N 13/144; H04N 13/161; H04N 13/194; H04N 13/221; H04N 13/229; H04N 13/239; H04N 13/246; H04N 13/261; H04N 13/271; H04N 13/282; H04N 13/317; H04N 13/324; H04N 13/337; H04N 13/341; H04N 13/344; H04N 13/366; H04N 13/376; H04N 13/378; H04N 17/002; H04N 19/00; H04N 19/107; H04N 19/122; H04N 19/129; H04N 19/134; H04N 19/14; H04N 19/157; H04N 19/167; H04N 19/179; H04N 19/186; H04N 19/1883; H04N 19/189; H04N 19/192; H04N 19/197; H04N 19/30; H04N 19/33; H04N 19/433; H04N 19/439; H04N 19/44; H04N 19/50; H04N 19/517; H04N 19/573; H04N 19/60; H04N 19/615; H04N 19/63; H04N 19/68; H04N 19/86; H04N 19/90; H04N 19/93; H04N 2005/441; H04N 2013/0081; H04N 21/20; H04N 21/2146; H04N 21/21805; H04N 21/2181; H04N 21/23113; H04N 21/23116; H04N 21/23406; H04N 21/23412; H04N 21/23424; H04N 21/23439; H04N 21/2347; H04N 21/23611; H04N 21/2368; H04N 21/237; H04N 21/2383; H04N 21/23892; H04N 21/2408; H04N 21/242; H04N 21/252; H04N 21/2542; H04N 21/2543; H04N

21/258; H04N 21/25875; H04N 21/25883; H04N 21/262; H04N 21/26216; H04N 21/26291; H04N 21/266; H04N 21/26603; H04N 21/27; H04N 21/278; H04N 21/4131; H04N 21/41422; H04N 21/422; H04N 21/42203; H04N 21/42204; H04N 21/42209; H04N 21/4222; H04N 21/42222; H04N 21/42224; H04N 21/4227; H04N 21/4302; H04N 21/431; H04N 21/4312; H04N 21/4314; H04N 21/433; H04N 21/4333; H04N 21/4335; H04N 21/4345; H04N 21/436; H04N 21/43615; H04N 21/439; H04N 21/44; H04N 21/44004; H04N 21/44008; H04N 21/4415; H04N 21/44209; H04N 21/44218; H04N 21/44231; H04N 21/4424; H04N 21/443; H04N 21/4431; H04N 21/4524; H04N 21/4621; H04N 21/4661; H04N 21/4667; H04N 21/475; H04N 21/4755; H04N 21/4758; H04N 21/478; H04N 21/4784; H04N 21/4821; H04N 21/4825; H04N 21/61; H04N 21/6106; H04N 21/6118; H04N 21/6125; H04N 21/6131; H04N 21/6143; H04N 21/6168; H04N 21/6193; H04N 21/637; H04N 21/643; H04N 21/6437; H04N 21/64707; H04N 21/64723; H04N 21/8113; H04N 21/8146; H04N 21/816; H04N 21/8173; H04N 21/84; H04N 21/8543; H04N 21/8545; H04N 2213/008; H04N 5/23219; H04N 5/23293; H04N 5/2624; H04N 5/2628; H04N 5/265; H04N 5/44504; H04N 5/44543; H04N 5/44591; H04N 5/9202; H04N 7/08; H04N 7/147; H04N 7/148; H04N 7/152; H04N 7/173; H04N 7/186

See application file for complete search history.

(56)

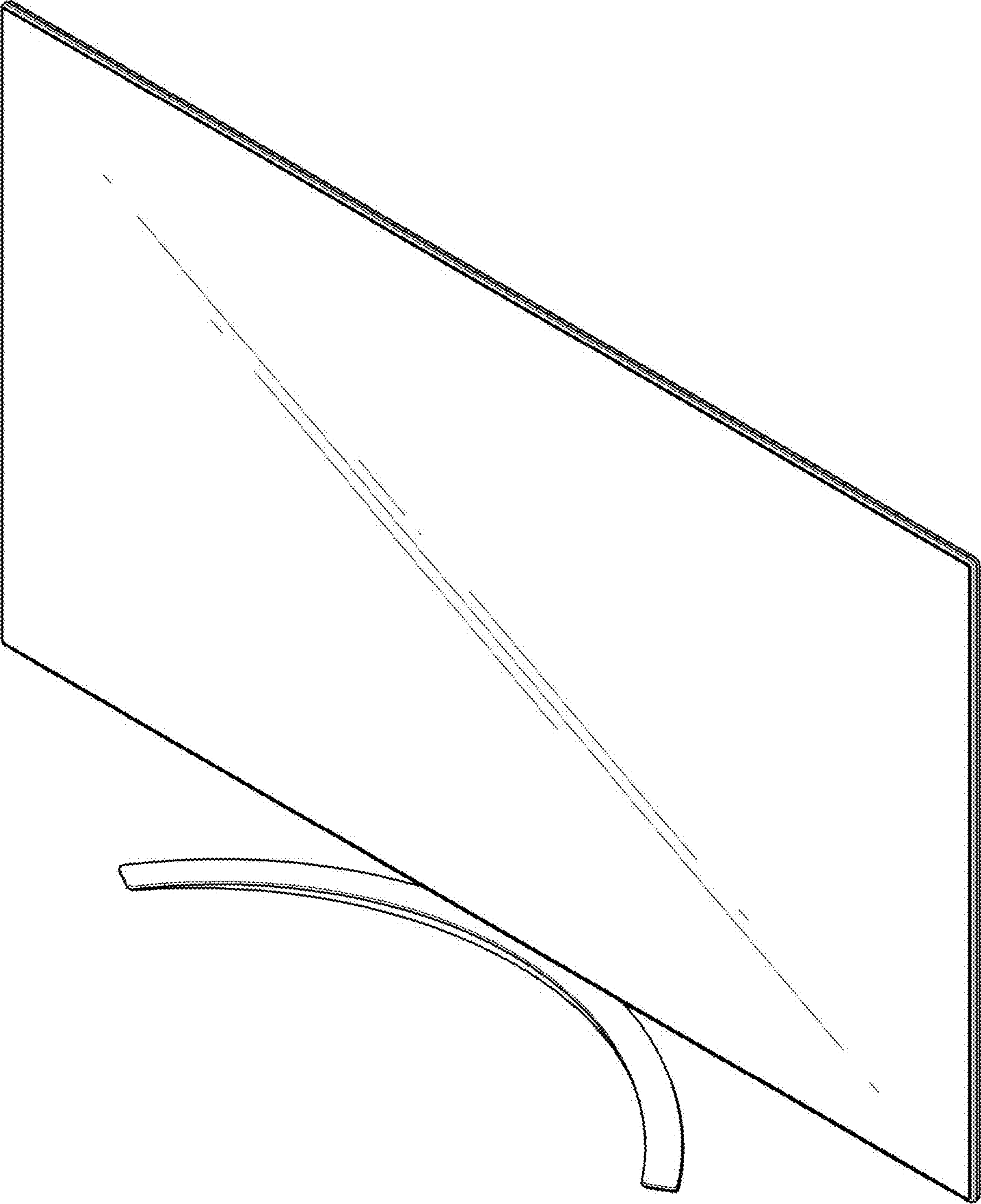
**References Cited**

U.S. PATENT DOCUMENTS

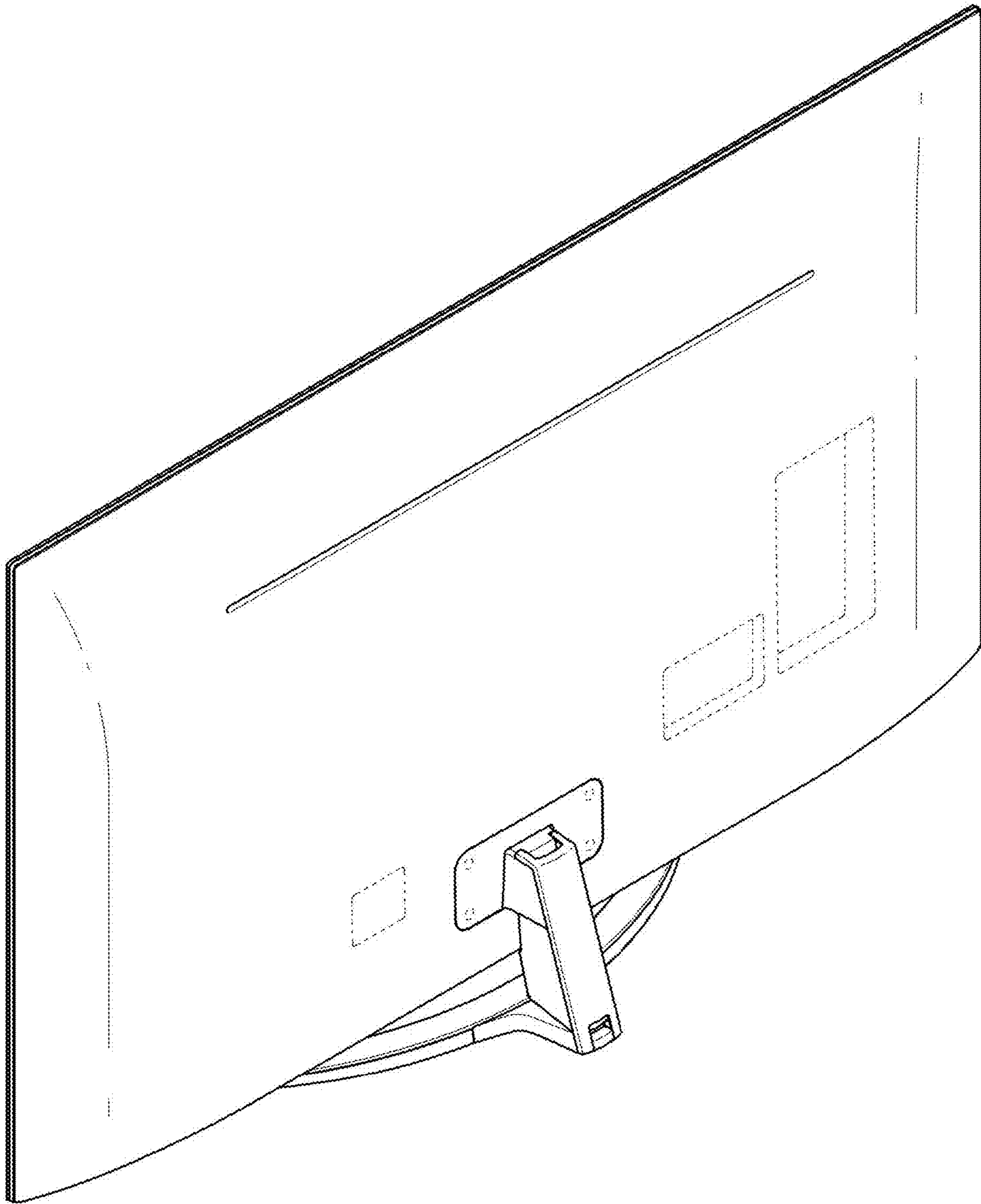
D566,669	S	*	4/2008	Ooshima .....	D14/126
D570,312	S	*	6/2008	Kita .....	D14/126
D619,135	S	*	7/2010	Lin .....	D14/374
D786,868	S	*	5/2017	Kim .....	D14/374
D788,782	S	*	6/2017	Lim .....	D14/451
D796,465	S	*	9/2017	Kim .....	D14/126
D817,290	S	*	5/2018	Lee .....	D14/126
D828,837	S	*	9/2018	Kim .....	D14/374
D830,985	S	*	10/2018	Cha .....	D14/126
D860,961	S	*	9/2019	Kim .....	D14/126
D860,962	S	*	9/2019	Lee .....	D14/126
D888,680	S	*	6/2020	Kim .....	D14/126
D888,681	S	*	6/2020	Kim .....	D14/126

\* cited by examiner

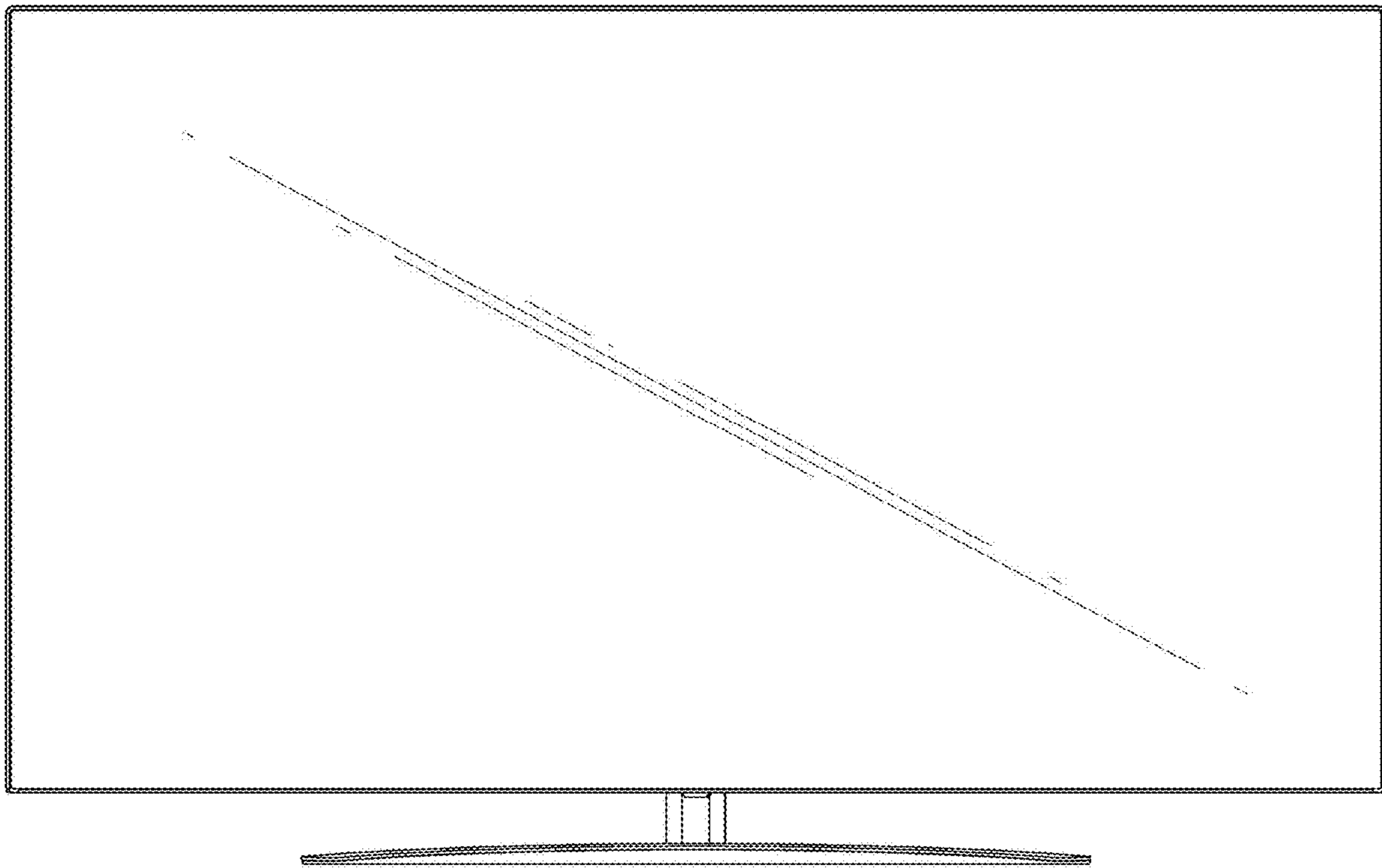
1.1



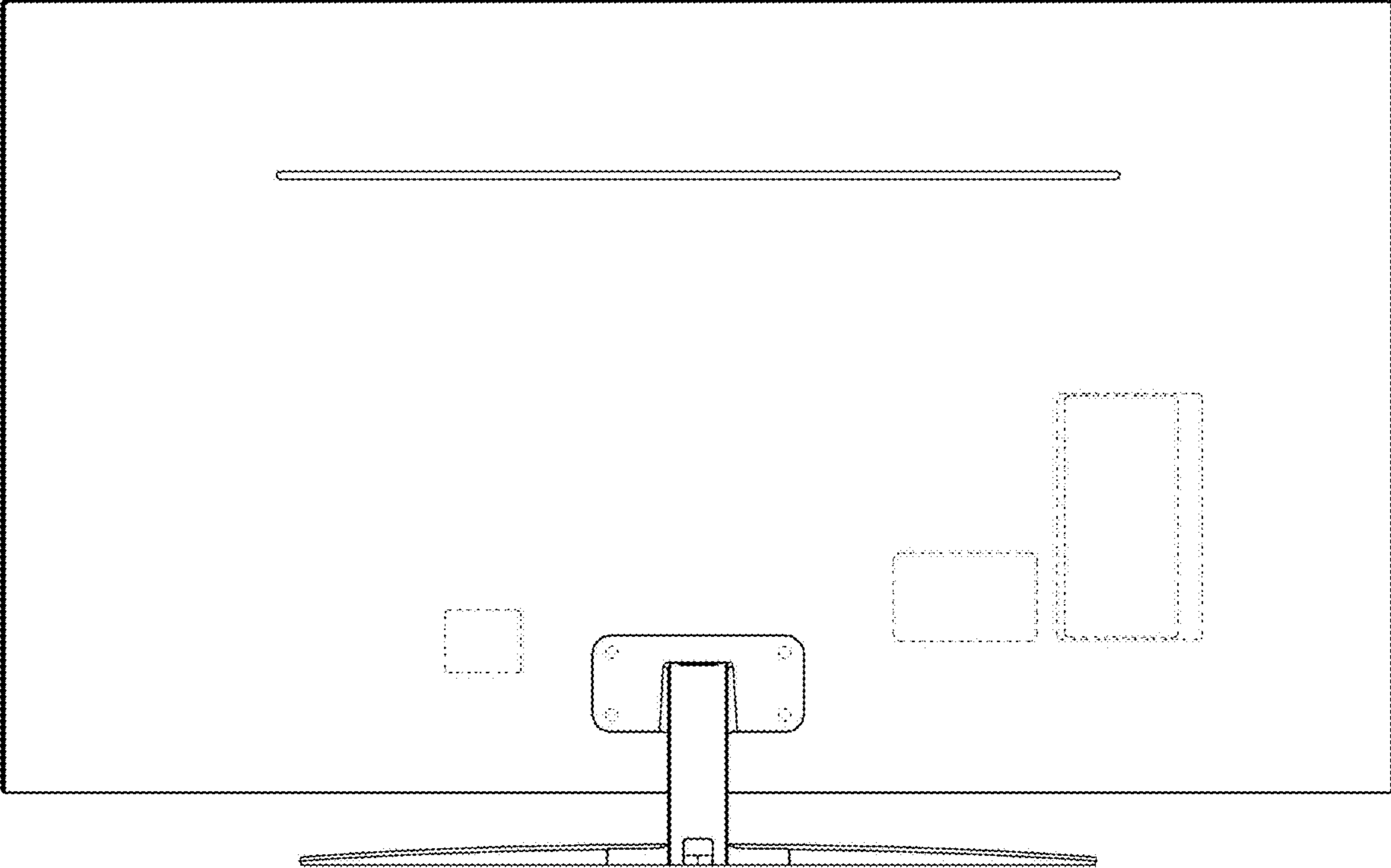
1.2



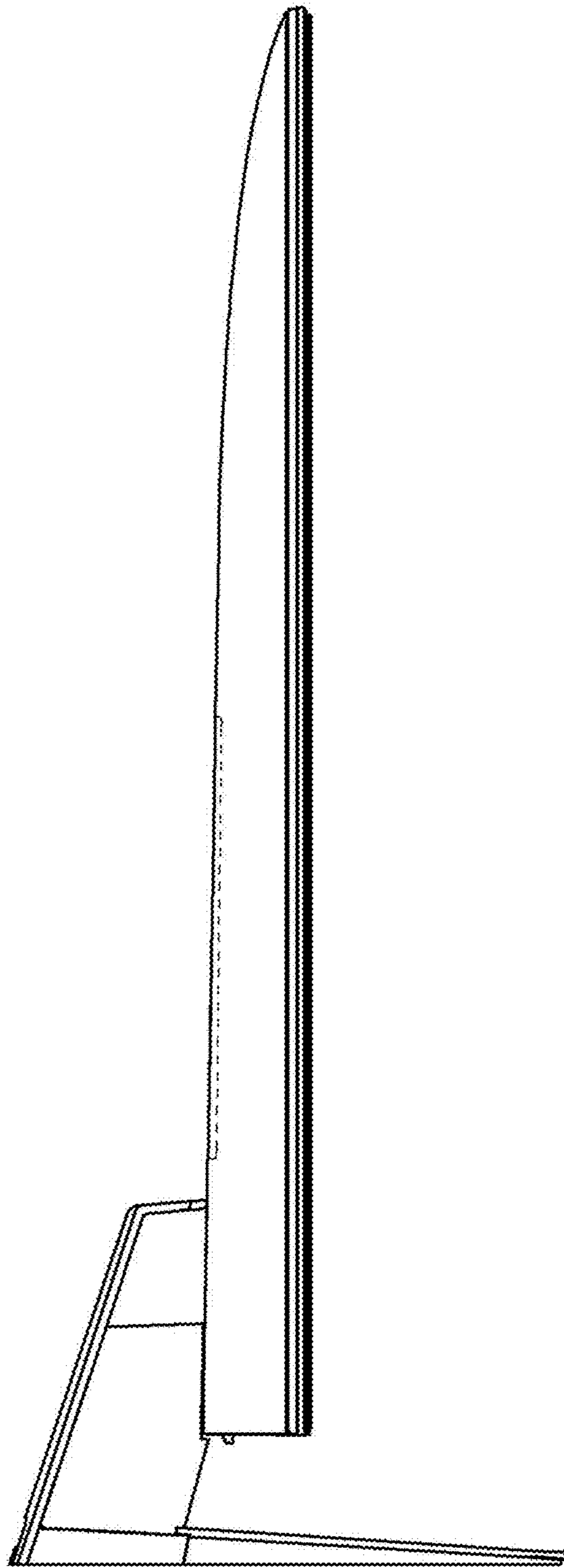
1.3



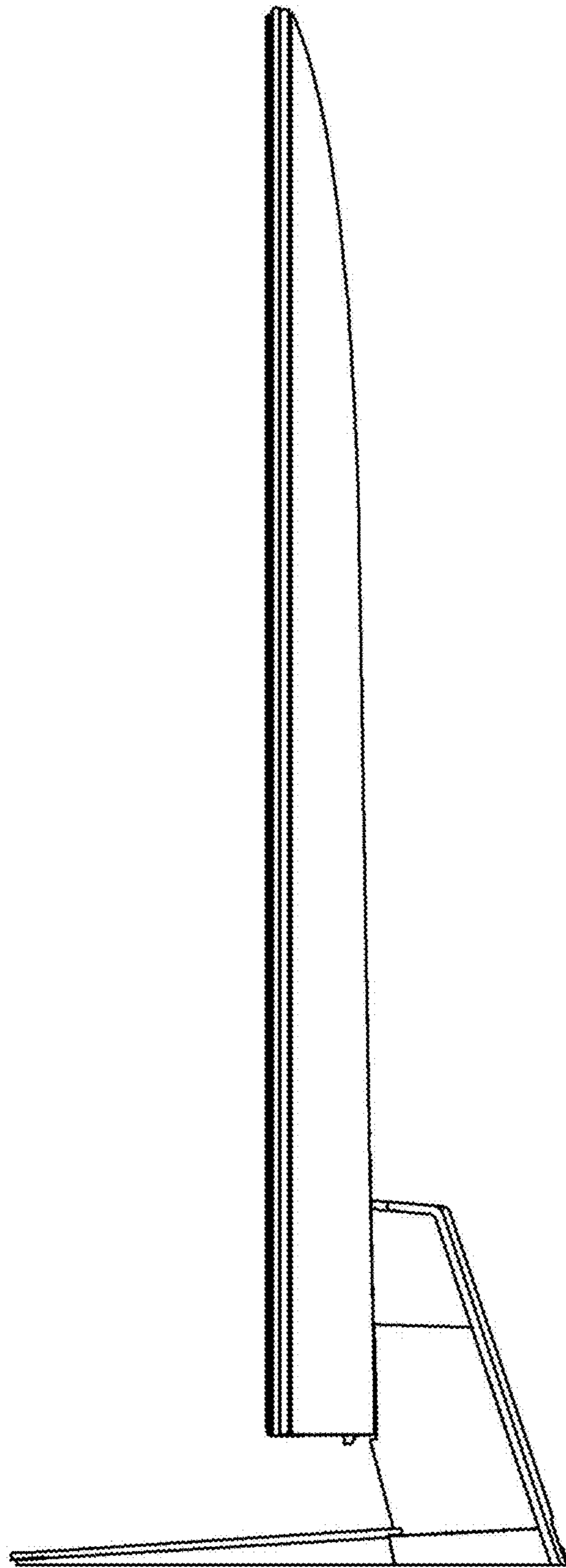
1.4



1.5

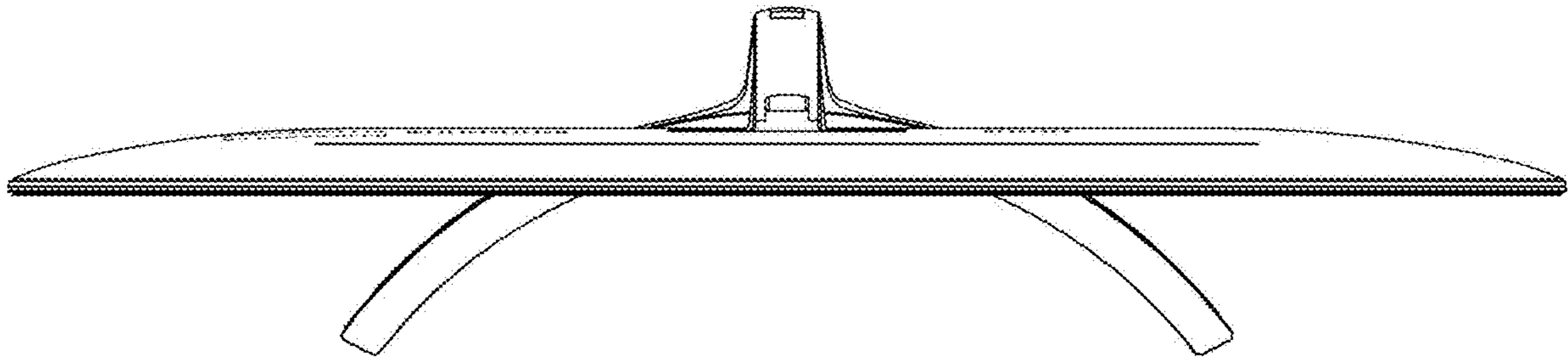


1.6





1.7



1.8

