



US00D900764S

(12) **United States Design Patent** (10) **Patent No.:** **US D900,764 S**  
**Yi et al.** (45) **Date of Patent:** **\*\* Nov. 3, 2020**

(54) **SPEAKER**

(71) Applicant: **LG ELECTRONICS INC.**, Seoul (KR)

(72) Inventors: **Byunghyun Yi**, Seoul (KR); **Gayeong Lee**, Seoul (KR); **Hana Kim**, Seoul (KR); **Sangho Lee**, Seoul (KR); **Sooyoung Park**, Seoul (KR)

(73) Assignee: **LG ELECTRONICS INC.**, Seoul (KR)

(\*\*) Term: **15 Years**

(21) Appl. No.: **35/507,593**

(22) Filed: **Apr. 19, 2019**

(80) **Hague Agreement Data**

Int. Filing Date: **Apr. 19, 2019**

Int. Reg. No.: **DM/203536**

Int. Reg. Date: **Apr. 19, 2019**

Int. Reg. Pub. Date: **Nov. 1, 2019**

(30) **Foreign Application Priority Data**

Nov. 1, 2018 (KR) ..... KR30-2018-0050306

(51) **LOC (12) Cl.** ..... **14-03**

(52) **U.S. Cl.**  
USPC ..... **D14/126**

(58) **Field of Classification Search**  
USPC ..... D14/167, 168, 170-172, 188, 194-196, D14/204, 210-216, 217, 219, 221, 22, D14/224, 239, 496

CPC ..... H04R 25/554; H04R 2225/51; H04R 2225/021; H04R 2420/07; H04R 2460/13; H04R 2499/11; H04R 25/65; H04R 3/12; H04R 5/04; H04R 17/00; H04R 1/02; H04R 1/025; H04R 1/1008; H04R 1/1041; H04R 1/406; H04R 2225/025; H04R 2225/49; H04R 2400/11; H04R 2430/01; H04R 25/305; H04R 25/505; H04R 25/606; H04R 3/00; H04R 3/04; H04R 9/025; H04R 9/06; H04R 11/02; H04R 1/023; H04R 1/326; H04R 1/083;

H04R 1/1025; H04R 1/105; H04R 1/1083; H04R 1/24; H04R 1/323; H04R 1/345; H04R 2201/401; H04R 2205/024; H04R 2225/39; H04R 2225/41; H04R 2225/43; H04R 2225/55; H04R 2225/61; H04R 2225/67; H04R 2227/003; H04R 2227/005; H04R 2307/201; H04R 23/008; H04R 2420/09; H04R 2460/09; H04R 2460/11; H04R 25/00; H04R 25/02; H04R 25/40; H04R 25/453; H04R 25/55; H04R 25/552; H04R 25/556; H04R 25/652; H04R 25/70; H04R 27/00; H04R 29/002; H04R 29/007; H04R 3/005; H04R 5/02; H04R 5/027; H04R 5/033; H04R 7/02;

(Continued)

(56) **References Cited**

U.S. PATENT DOCUMENTS

D722,595 S \* 2/2015 Mackiewicz ..... D14/216  
D748,074 S \* 1/2016 Schmiedbauer ..... D14/210

(Continued)

*Primary Examiner* — Khawaja Anwar

(74) *Attorney, Agent, or Firm* — Birch, Stewart, Kolasch & Birch, LLP

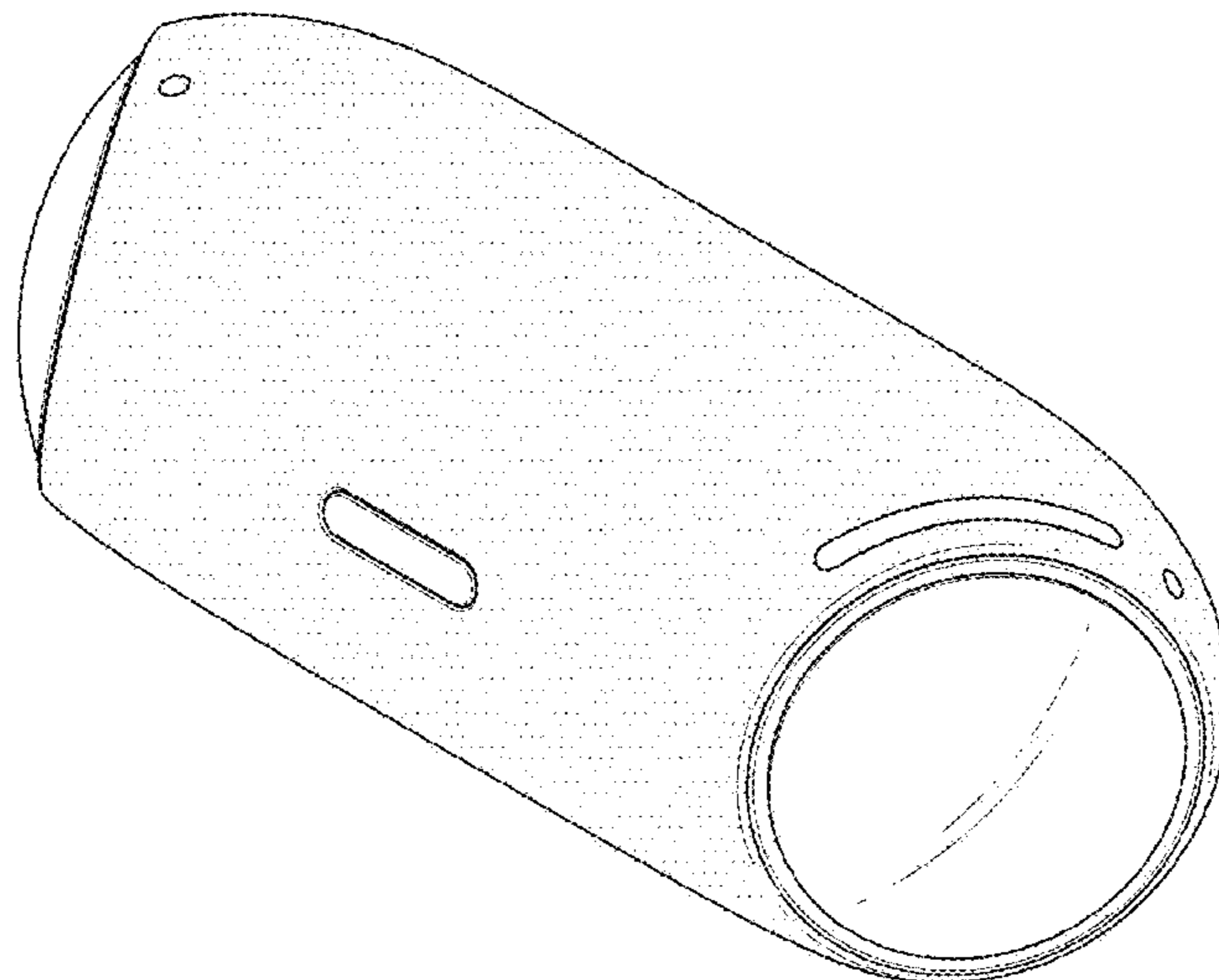
(57) **CLAIM**

The ornamental design for speaker, as shown and described.

**DESCRIPTION**

- 1. Speaker
- 1.1 : Perspective
- 1.2 : Front
- 1.3 : Back
- 1.4 : Left
- 1.5 : Right
- 1.6 : Top
- 1.7 : Bottom

**1 Claim, 7 Drawing Sheets**



(58) **Field of Classification Search**

CPC . H04R 7/122; H04R 7/16; H04R 7/20; H04R  
9/02; H04R 9/04

See application file for complete search history.

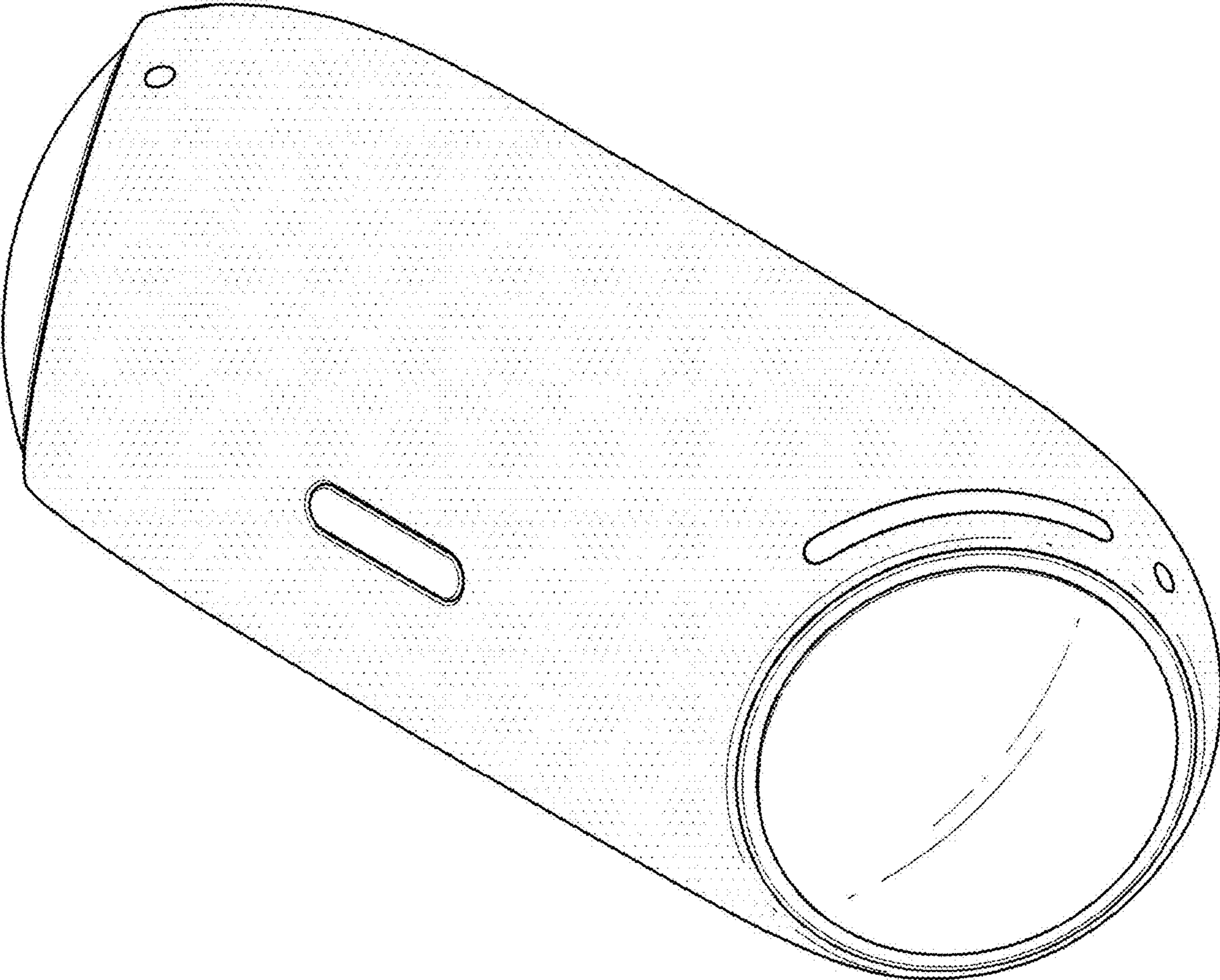
(56) **References Cited**

U.S. PATENT DOCUMENTS

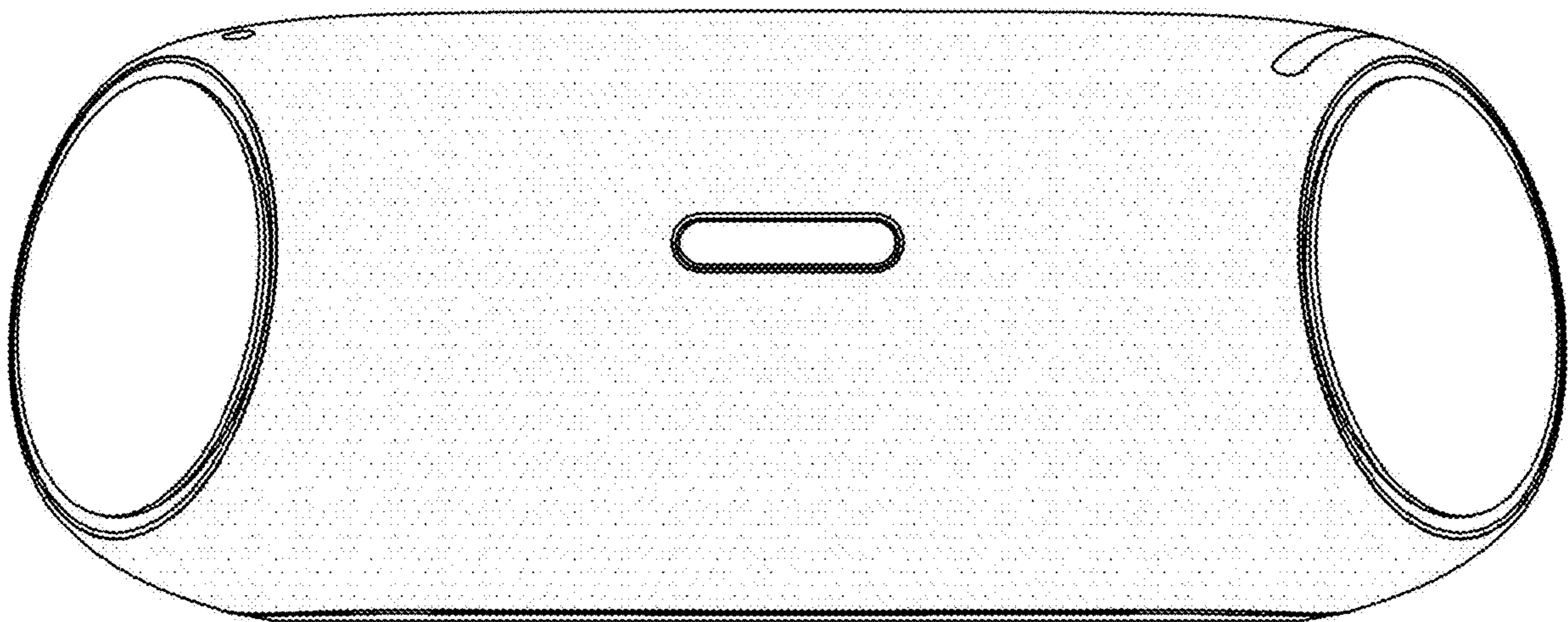
D750,597 S *	3/2016	Fischer .....	D14/216
D798,268 S *	9/2017	Fang .....	D14/216
D811,368 S *	2/2018	Fischer .....	D14/216
D842,276 S *	3/2019	Brunner .....	D14/219
D852,779 S *	7/2019	Schmiedbauer .....	D14/210
D854,515 S *	7/2019	Fischer .....	D14/210
D860,171 S *	9/2019	Schmiedbauer .....	D14/219
D865,705 S *	11/2019	Distefano .....	D14/204
D868,022 S *	11/2019	Distefano .....	D14/204
D868,033 S *	11/2019	Luo .....	D14/216
D884,676 S *	5/2020	He .....	D14/216
D886,080 S *	6/2020	Yang .....	D14/216
D891,400 S *	7/2020	Waterman .....	D14/216
D892,081 S *	8/2020	Waterman .....	D14/216

\* cited by examiner

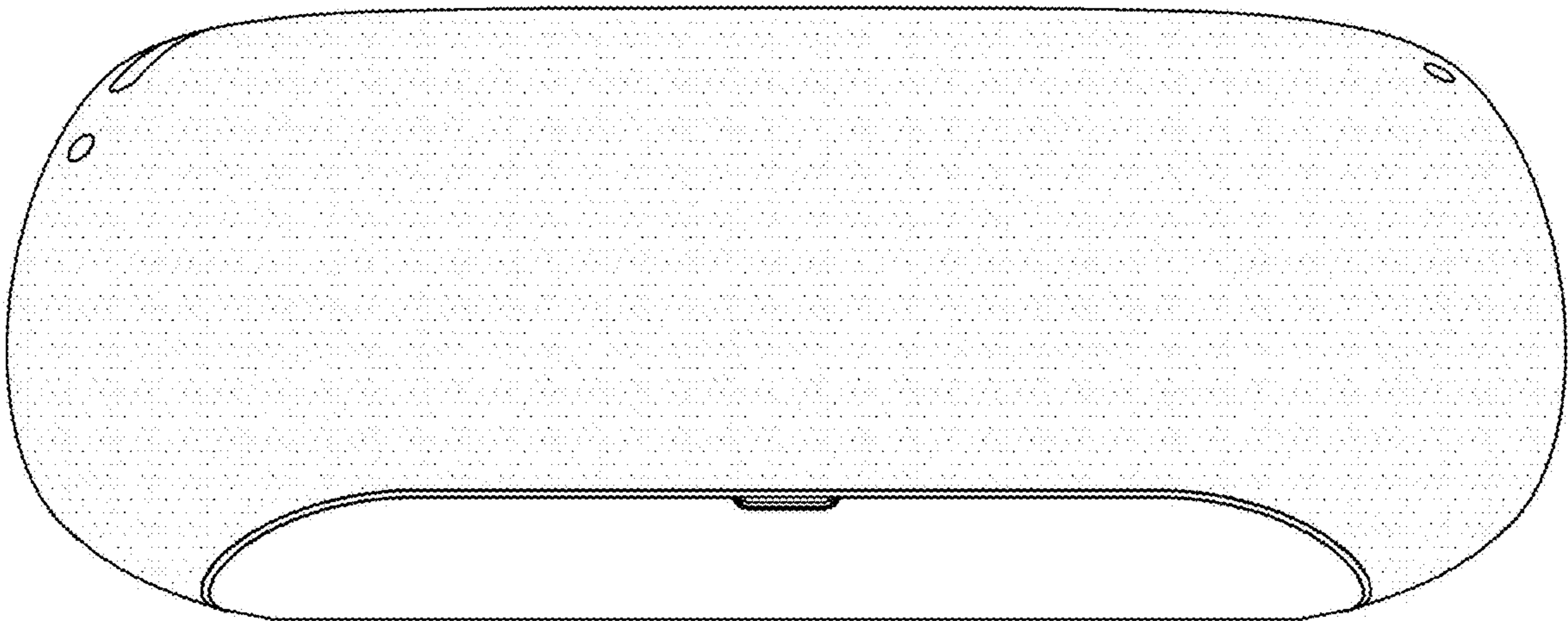
1.1



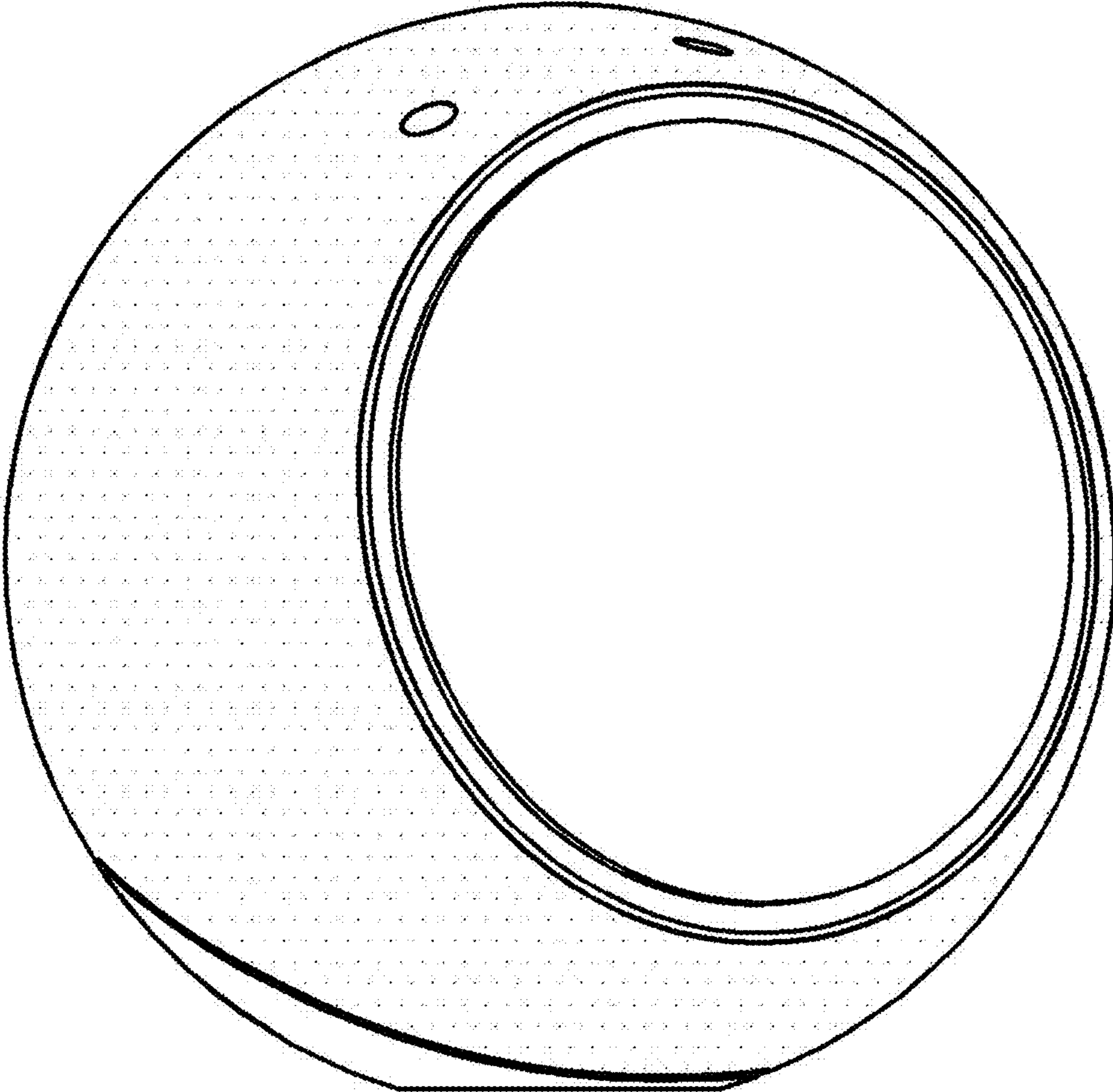
1.2



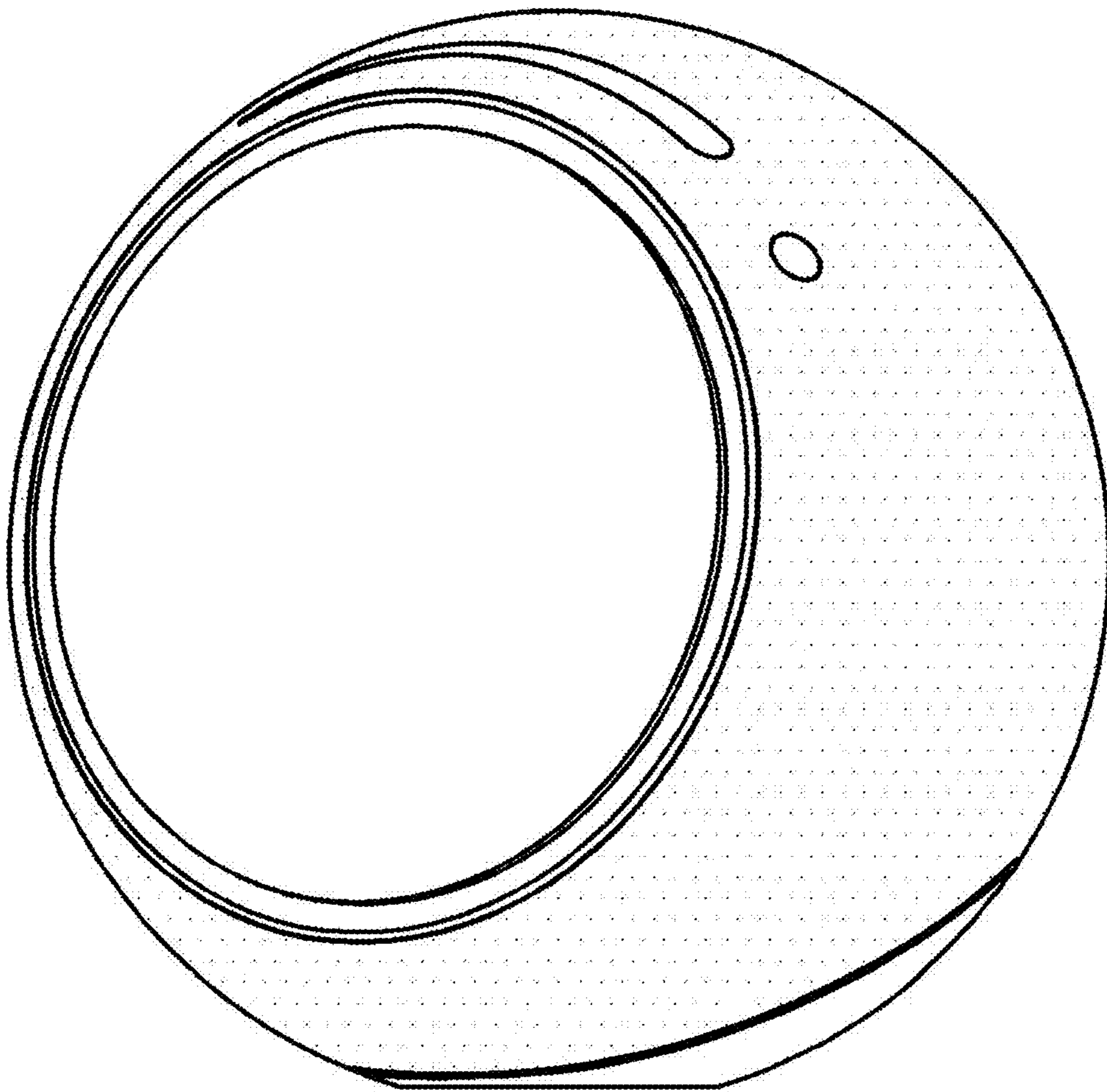
1.3



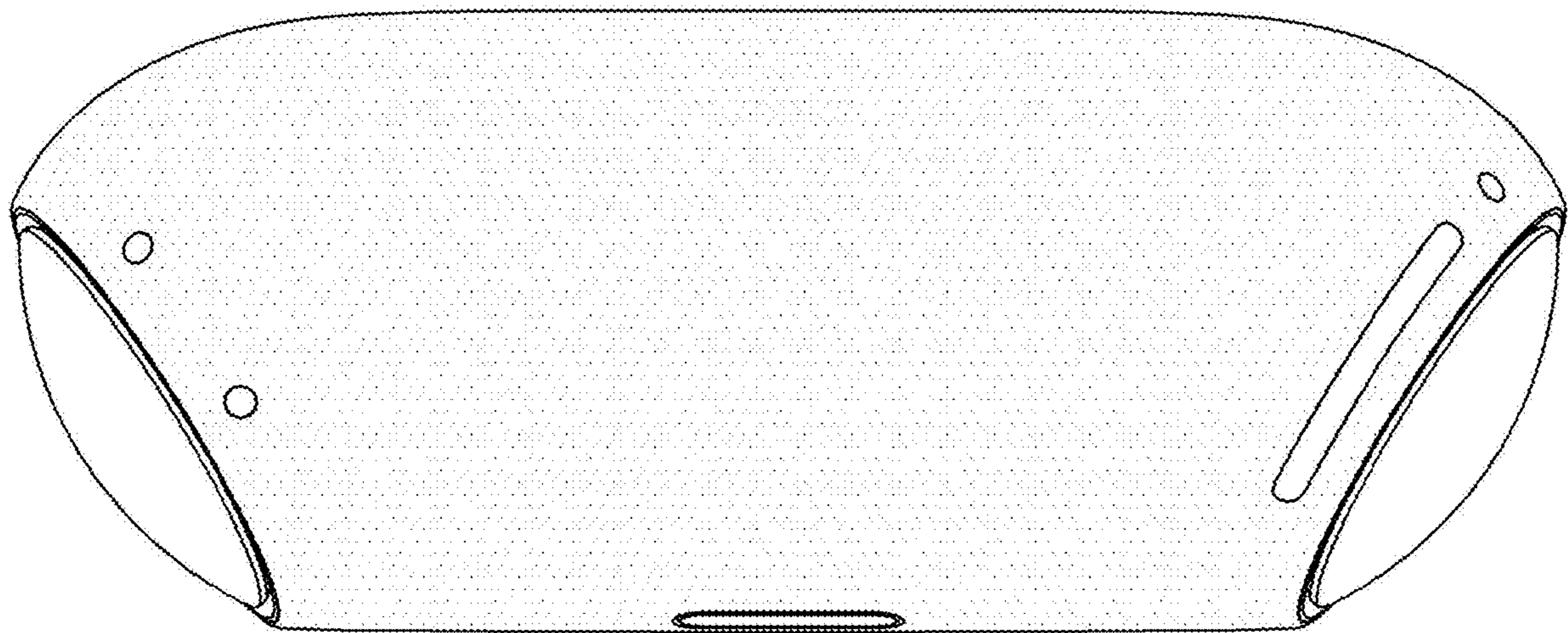
1.4



1.5



1.6





1.7

