



US00D900763S

(12) **United States Design Patent** (10) **Patent No.:** **US D900,763 S**
Lee et al. (45) **Date of Patent:** **** Nov. 3, 2020**

(54) **TELEVISION RECEIVER**

(71) Applicant: **LG Electronics Inc.**, Seoul (KR)
(72) Inventors: **Sangik Lee**, Seoul (KR); **Hyojin Won**,
Seoul (KR); **Yongseok Kim**, Seoul
(KR); **Yooseok Kim**, Seoul (KR)
(73) Assignee: **LG ELECTRONICS INC.**, Seoul
(KR)

(**) Term: **15 Years**

(21) Appl. No.: **35/507,434**

(22) Filed: **Mar. 8, 2019**

(80) **Hague Agreement Data**

Int. Filing Date: **Mar. 8, 2019**
Int. Reg. No.: **DM/201281**
Int. Reg. Date: **Mar. 8, 2019**
Int. Reg. Pub. Date: **Sep. 13, 2019**

(30) **Foreign Application Priority Data**

Sep. 10, 2018 (KR) 30-2018-0042131

(51) **LOC (12) Cl.** **14-03**

(52) **U.S. Cl.**
USPC **D14/126**

(58) **Field of Classification Search**
USPC D14/125-134, 217, 307, 314-317,
D14/334-336, 339-341, 371, 373-377,
D14/448, 450, 138 AD, 138 R, 138 AB;
D16/241; D20/19; D21/329, 332, 515;
D6/300
CPC G06F 1/16; G06F 1/1601; G06F 1/1637;
G06F 1/1652; H04N 5/64; H05K 5/0204;
H05K 5/0017; H05K 5/0217; H04M
1/0268

See application file for complete search history.

(56) **References Cited**

U.S. PATENT DOCUMENTS

D774,482 S * 12/2016 Hong D14/126
D786,868 S * 5/2017 Kim D14/374
D796,465 S * 9/2017 Kim D14/126
D808,353 S * 1/2018 Lee D14/126

(Continued)

OTHER PUBLICATIONS

LG 65_ Class LED Nano 9 Series, no date available, [online], [site
visited Jun. 29, 2019]. Retrieved from url:https://www.bestbuy.com/
site/lg-65-class-led-nano-9-series-2160p-smart-4k-uhd-tv-with-hdr/
6339241.p?skuId=6339241 (Year: 2020).*

(Continued)

Primary Examiner — Michelle E. Wilson
Assistant Examiner — Tracey J Bell
(74) *Attorney, Agent, or Firm* — Birch, Stewart, Kolasch
& Birch, LLP

(57) **CLAIM**

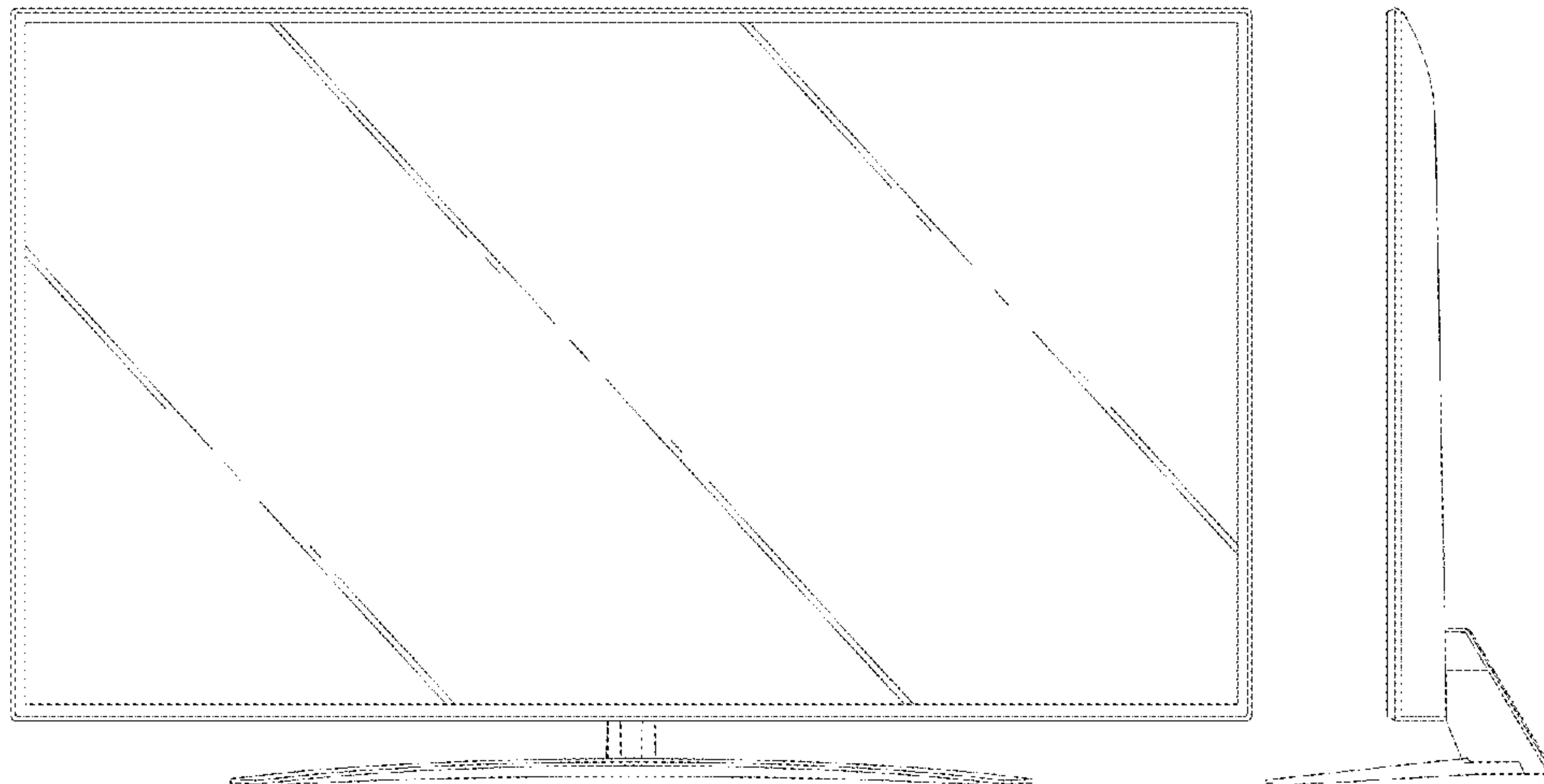
The ornamental design for a television receiver, as shown
and described.

DESCRIPTION

- 1. Television receiver
- 1.1 : Perspective
- 1.2 : Front
- 1.3 : Back
- 1.4 : Left
- 1.5 : Right
- 1.6 : Top
- 1.7 : Bottom

The broken lines depict portions of the television receiver
that form no part of the claimed design; the fine oblique lines
on the drawings indicate the display part; reproduction 1.1
is a front perspective view of the television receiver; repro-

(Continued)



duction 1.2 is a front view thereof; reproduction 1.3 is a back view thereof; reproduction 1.4 is a left view thereof; reproduction 1.5 is a right view thereof; reproduction 1.6 is a top view thereof; reproduction 1.7 is a bottom view thereof.

1 Claim, 7 Drawing Sheets

(56)

References Cited

U.S. PATENT DOCUMENTS

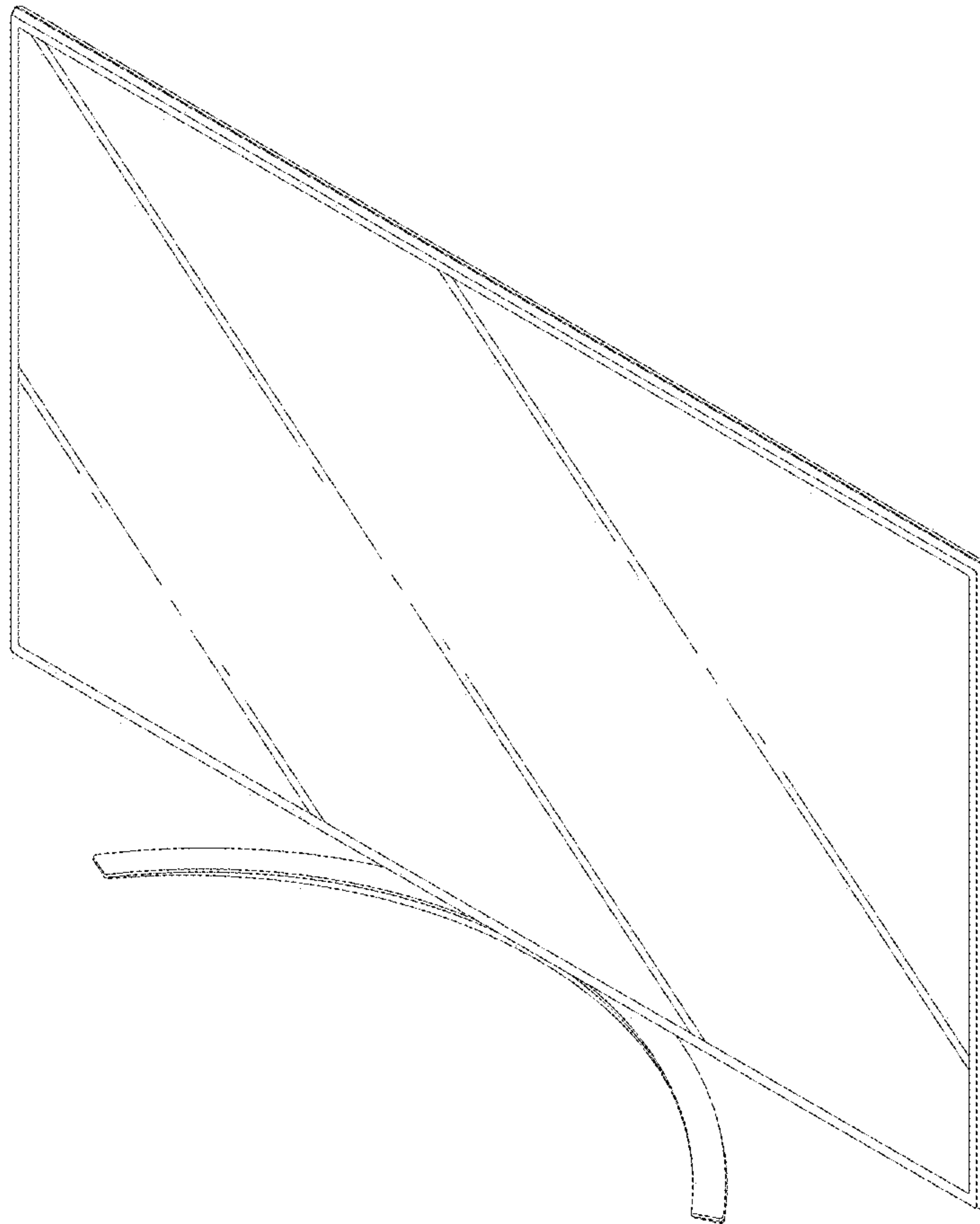
D828,837	S	*	9/2018	Kim	D14/374
D830,984	S	*	10/2018	Kim	D14/126
D835,593	S	*	12/2018	Shin	D14/126
D860,961	S	*	9/2019	Kim	D14/126
D860,962	S	*	9/2019	Lee	D14/126
D863,241	S	*	10/2019	Lee	D14/126
D869,415	S	*	12/2019	Jang	D14/126
D872,702	S	*	1/2020	Jang	D14/126
2017/0192289	A1	*	7/2017	Won	G09F 9/35

OTHER PUBLICATIONS

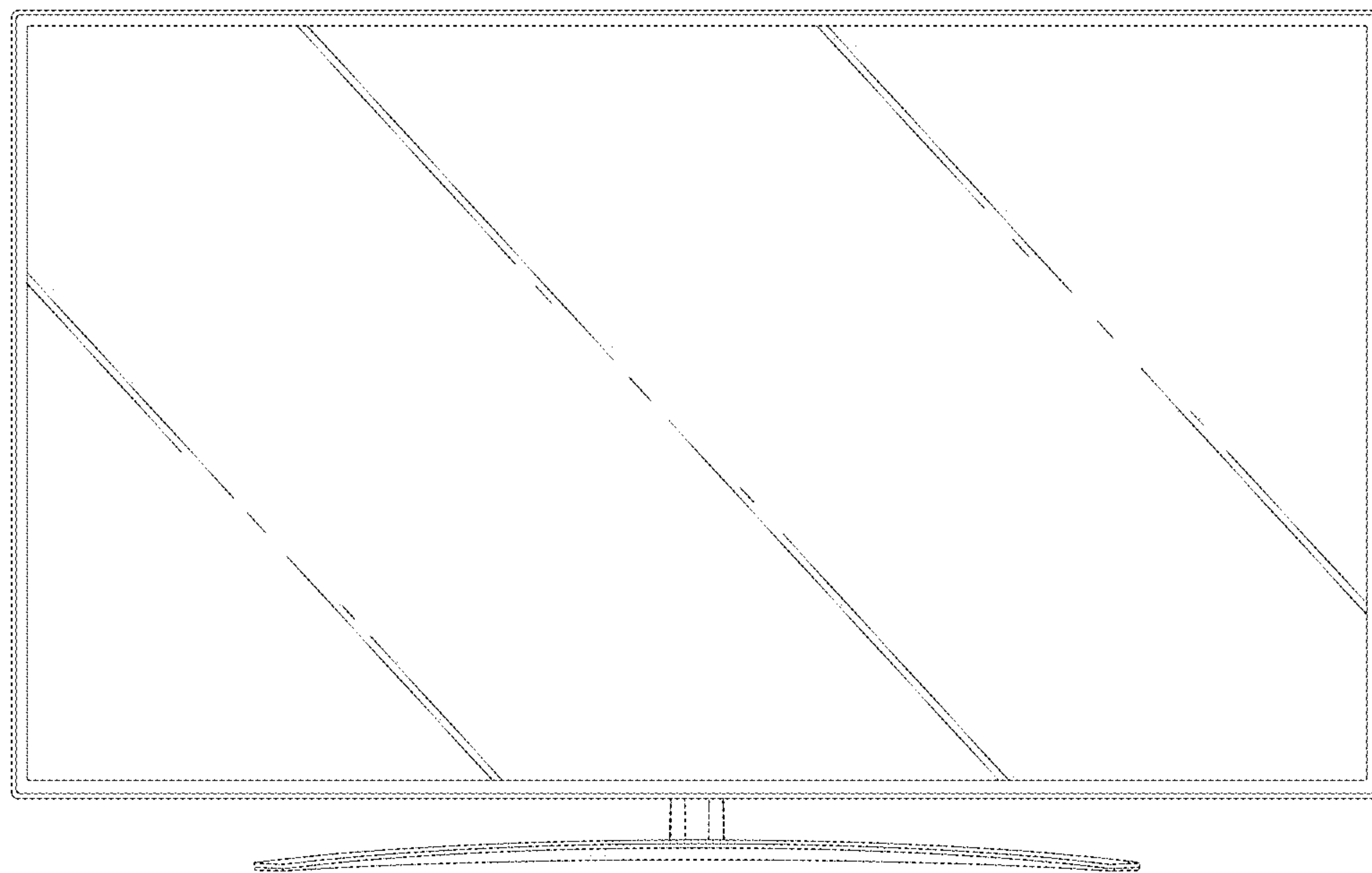
A Review of the LG NanoCell, Dec. 25, 2019, [online], [site visited Jun. 29, 2019]. Retrieved from url:<http://4k.com/tv/a-review-of-the-lg-nanocell-sm8600-4k-hdr-lcd-tv-49sm8600-55sm8600-65sm8600-75sm8600-26954/> (Year: 2019).*

* cited by examiner

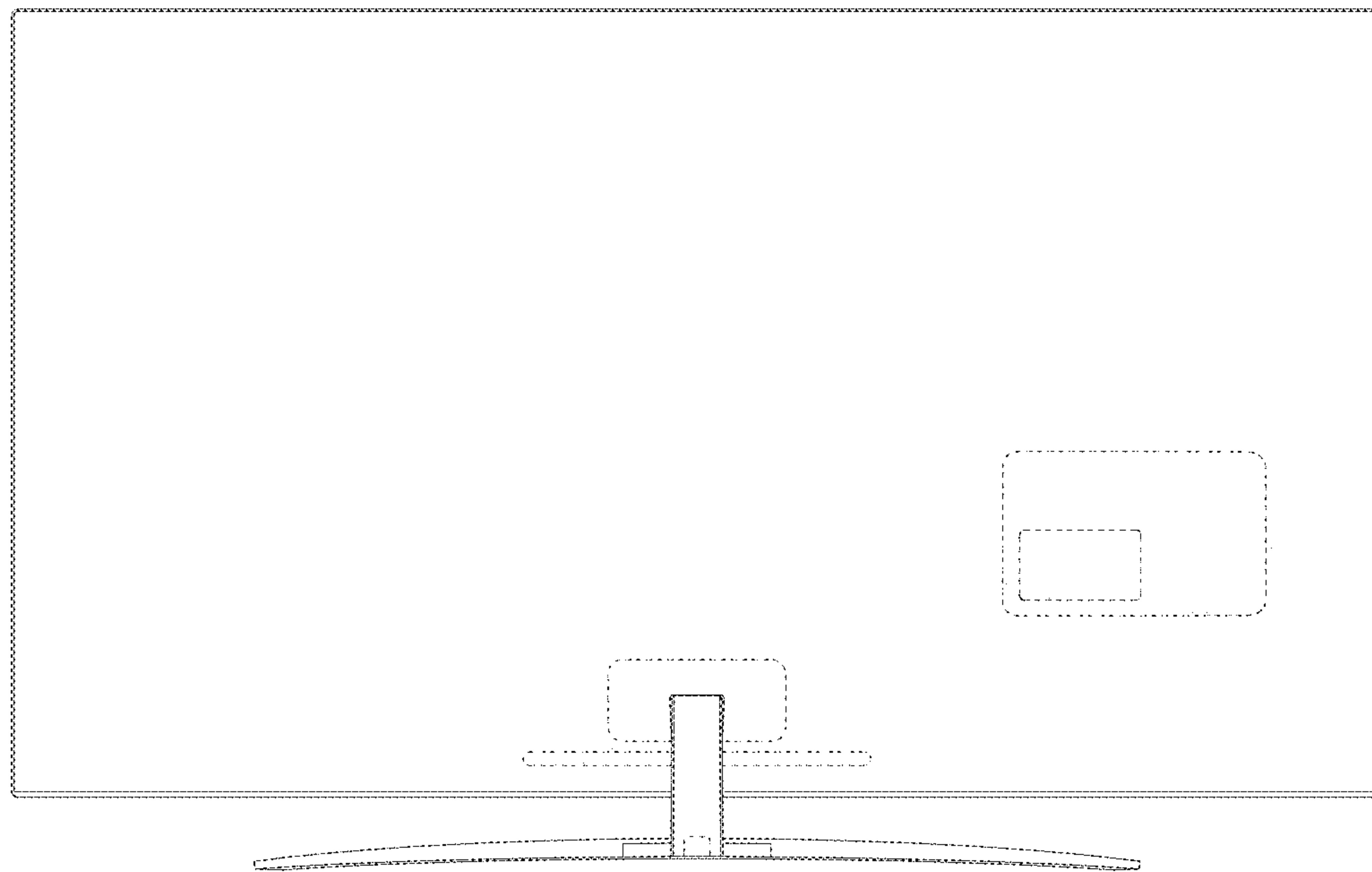
1.1



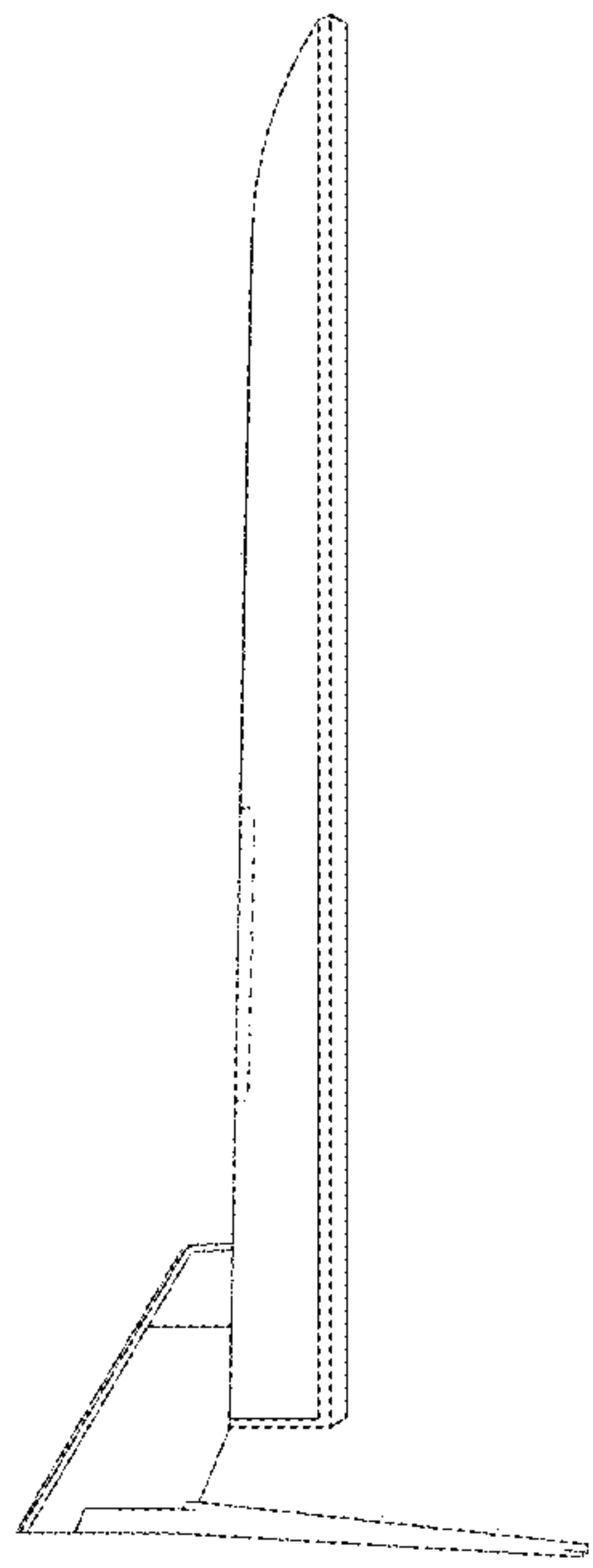
1.2



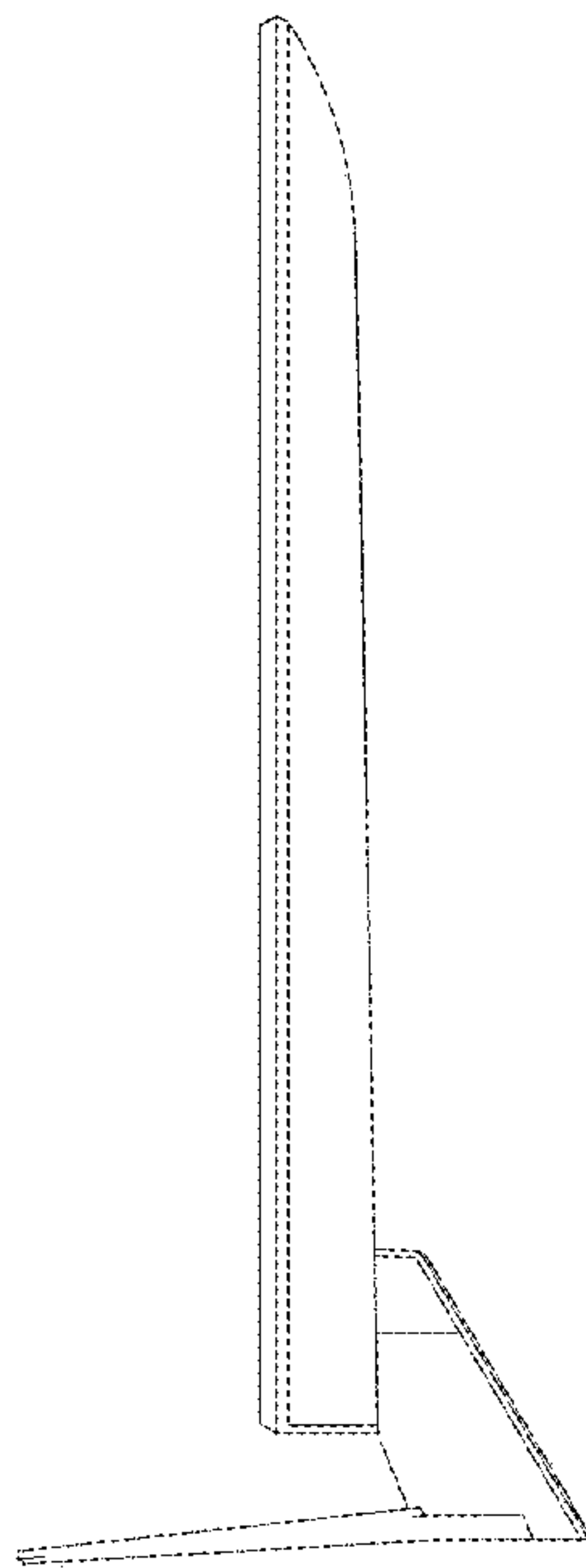
1.3



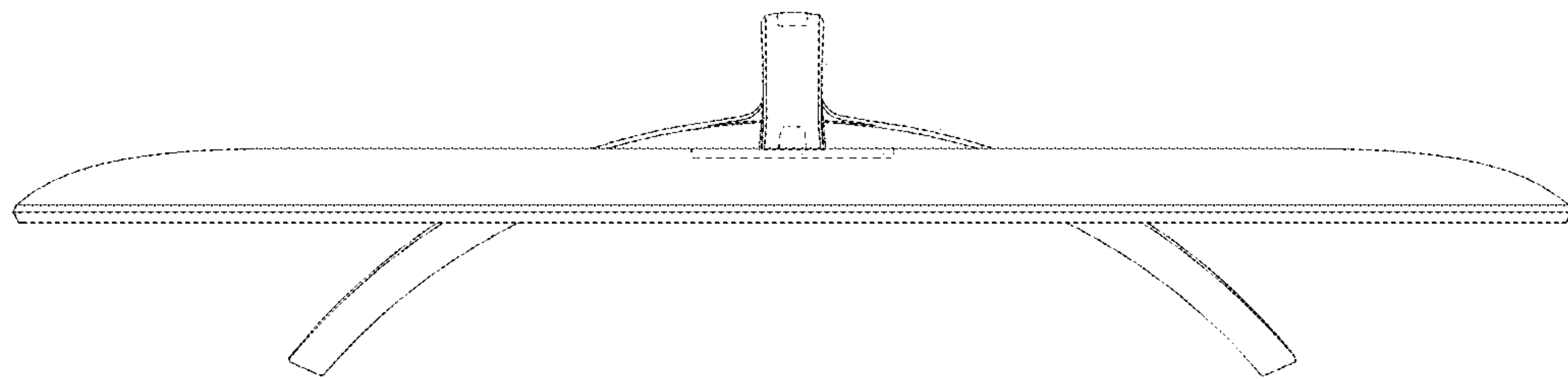
1.4



1.5



1.6



1.7

