



US00D900762S

(12) **United States Design Patent** (10) **Patent No.:** **US D900,762 S**
Lee et al. (45) **Date of Patent:** **** Nov. 3, 2020**

(54) **TELEVISION RECEIVER**

FOREIGN PATENT DOCUMENTS

(71) Applicant: **LG Electronics Inc.**, Seoul (KR)
(72) Inventors: **Minjae Lee**, Seoul (KR); **Seonkyu Kim**, Seoul (KR); **Cheolwoong Shin**, Seoul (KR); **Youngkyoung Kim**, Seoul (KR); **Hyunbyung Cha**, Seoul (KR); **Yunjoo Kim**, Seoul (KR)
(73) Assignee: **LG ELECTRONICS INC.**, Seoul (KR)

CN 305465427 * 11/2019
CN 305479205 * 12/2019

(Continued)

(**) Term: **15 Years**

OTHER PUBLICATIONS

(21) Appl. No.: **35/506,815**

Oled TV R9, announced 2019 [online], [retrieved Mar. 1, 2020]. Available from Internet, URL: <<https://www.lg.com/global/lg-signature/oled-tv-r9>> (Year: 2019).*

(Continued)

(22) Filed: **Oct. 18, 2018**

Primary Examiner — Dana K Weiland

(74) *Attorney, Agent, or Firm* — Birch, Stewart, Kolasch & Birch, LLP

(80) **Hague Agreement Data**

Int. Filing Date: **Oct. 18, 2018**
Int. Reg. No.: **DM/201137**
Int. Reg. Date: **Oct. 18, 2018**
Int. Reg. Pub. Date: **Jun. 7, 2019**

(57) **CLAIM**

The ornamental design for a television receiver, as shown and described.

(30) **Foreign Application Priority Data**

Apr. 27, 2018 (KR) 30-2018-0020038

(51) **LOC (12) Cl.** **14-03**

(52) **U.S. Cl.**
USPC **D14/126**

(58) **Field of Classification Search**
USPC D14/125, 126, 127–137, 239, 314–316, D14/322, 326, 334–336, 339, 340, 341,
(Continued)

DESCRIPTION

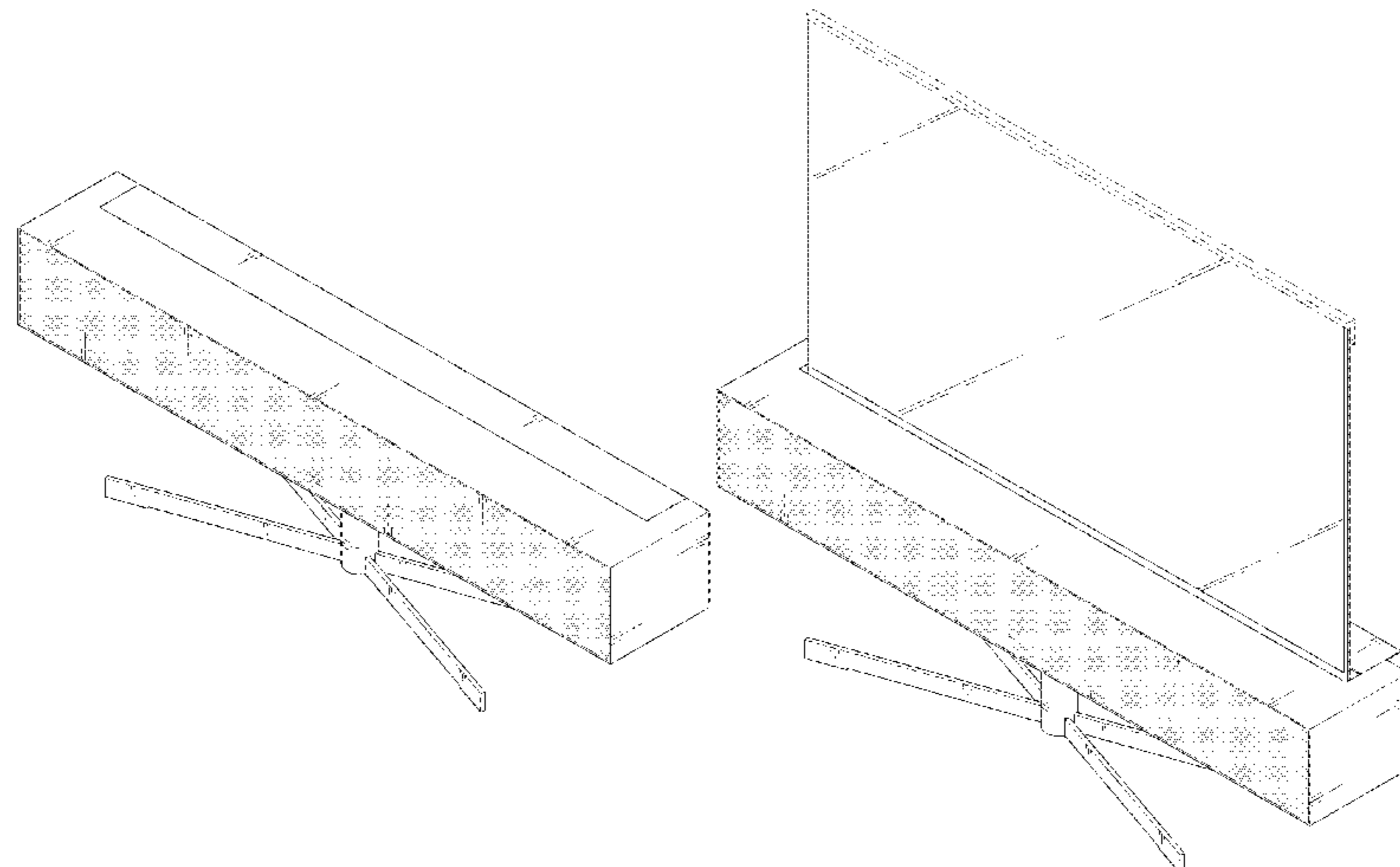
1. Television receiver
The television receiver has a hidden display inside of the main body. When the television receiver is in use, the display rises up from the main body.
1.1 is a front perspective view of a television receiver showing the new design;
1.2 is a front view thereof;
1.3 is a rear view thereof;
1.4 is a left side view thereof, the right side being a mirror image thereof;
1.5 is a top view thereof;
1.6 is a bottom view thereof;
1.7 is a rear perspective view thereof;
1.8 is a bottom perspective view thereof;
1.9 is a rear perspective view of the television receiver in an alternate configuration, showing the upper cover opened rearward and the hidden display from within the main body;
1.10 is an enlarged view of the portion of the television receiver shown within the area designated as 1.10 in 1.8 showing an example state of use;

(Continued)

(56) **References Cited**

U.S. PATENT DOCUMENTS

D727,879 S * 4/2015 Lee D14/239
D780,707 S * 3/2017 Bang D14/126
(Continued)



1.11 is a front perspective view of the television receiver in an alternate configuration;
 1.12 is a front view thereof;
 1.13 is a rear view thereof;
 1.14 is a left side view thereof, the right side being a mirror image thereof;
 1.15 is a top view thereof;
 1.16 is a bottom view thereof; and
 1.17 is a rear perspective view thereof.
 The broken lines depict portions of the television receiver that form no part of the claimed design; the broken lines in reproduction 1.10 illustrate an example in-use environment showing a cable going through the hole at the protrusion part of the back side of the stand and form no part of the claimed design; the dot-dashed lines indicate portions of the claimed design that are shown in the enlarged views, and form no part thereof.

1 Claim, 17 Drawing Sheets

(58) **Field of Classification Search**

USPC ... D14/371, 373-374, 448, 450, 138 G, 248;
 D6/300, 310, 314, 320, 332, 553, 657;
 D21/329, 332, 515, 324
 CPC G06F 1/16; G06F 1/1601; G06F 1/1637;
 H04N 5/64; H05K 5/0204; H05K 5/0017;
 H05K 5/0217
 See application file for complete search history.

(56) **References Cited**

U.S. PATENT DOCUMENTS

D788,087 S * 5/2017 Lee D14/239
 D802,549 S * 11/2017 Kim D14/126

D807,880 S * 1/2018 Varghese D14/371
 D808,668 S * 1/2018 Tsuchiyama D6/332
 D813,832 S * 3/2018 Kim D14/126
 D815,611 S * 4/2018 Shin D14/129
 D818,977 S * 5/2018 Kim D14/126
 D864,957 S * 10/2019 Yuksek D14/349
 D869,441 S * 12/2019 Jeong D14/217
 10,492,607 B2 * 12/2019 Choi H05K 5/02
 10,506,197 B2 * 12/2019 Kim H04N 5/645
 D872,489 S * 1/2020 Ruiter D6/332
 10,534,402 B1 * 1/2020 Kim G09F 11/02
 D875,452 S * 2/2020 Yamamoto D6/714
 D875,698 S * 2/2020 Kang D14/126
 10,571,969 B2 * 2/2020 Yeh G09F 9/301
 10,642,315 B2 * 5/2020 Kim G06F 1/1652
 2007/0035671 A1 * 2/2007 Ryu H04N 5/64
 348/794
 2017/0196102 A1 * 7/2017 Shin H05K 5/0017

FOREIGN PATENT DOCUMENTS

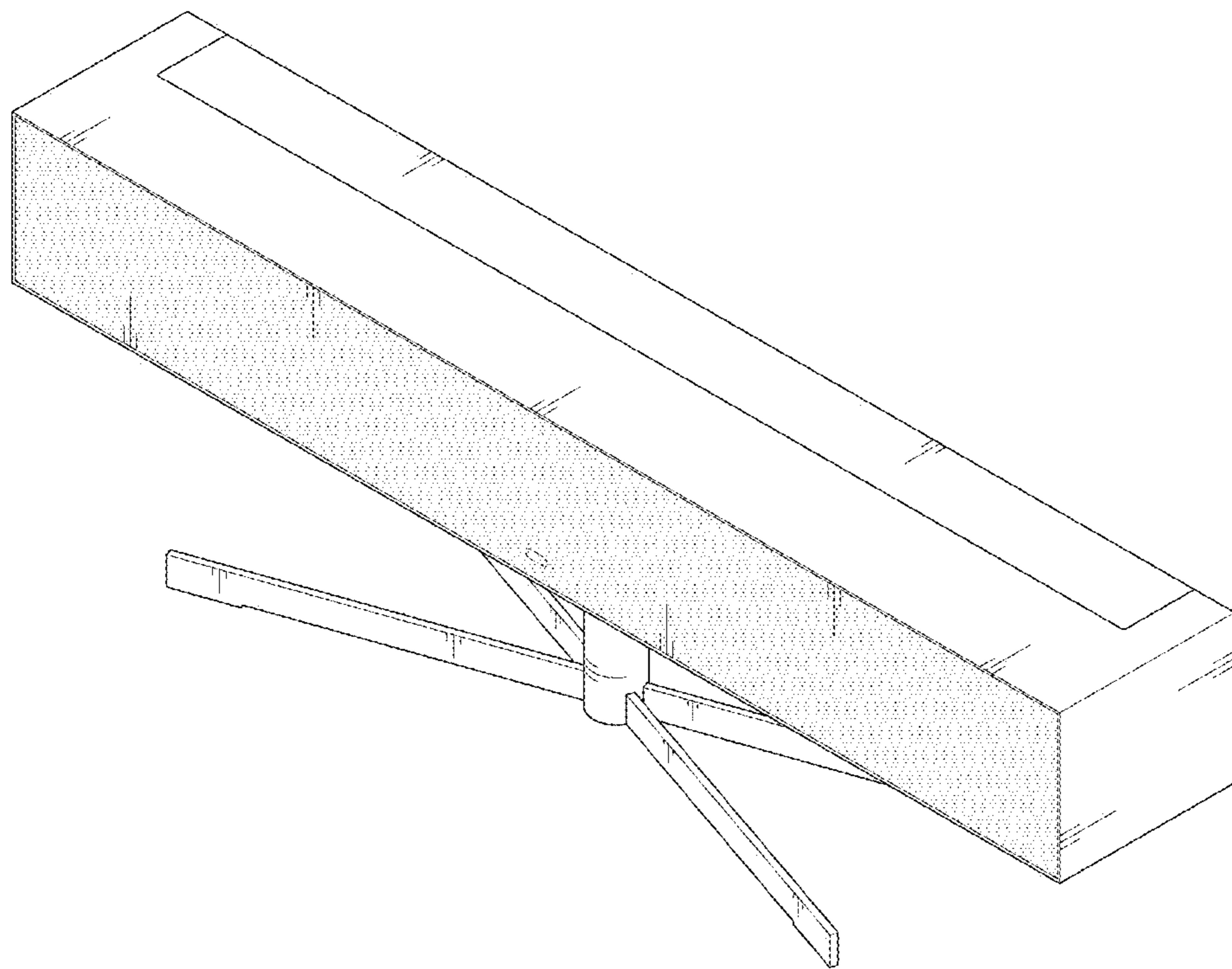
WO D103670-005 * 4/2019
 WO D203966-001 * 11/2019

OTHER PUBLICATIONS

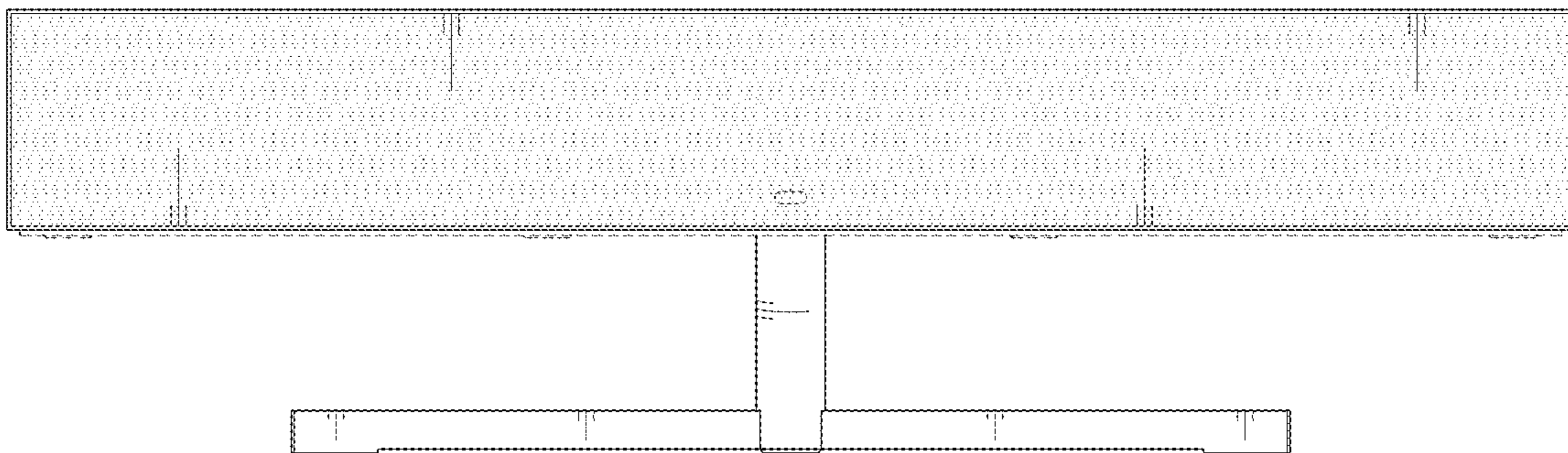
How to Build a Hidden TV Lift Cabinet, announced Mar. 4, 2016,
 [online], [retrieved Mar. 1, 2020]. Available from Internet, URL:
 <<https://news.yahoo.com/build-hidden-tv-lift-cabinet-160019716.html>> (Year: 2016).*

* cited by examiner

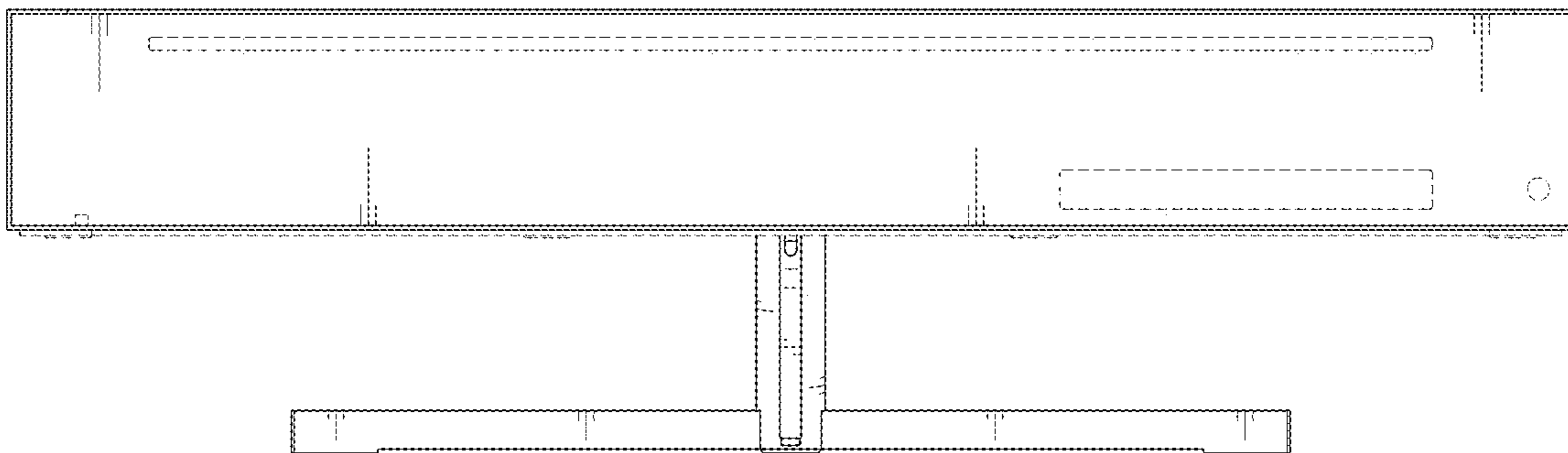
1. 1



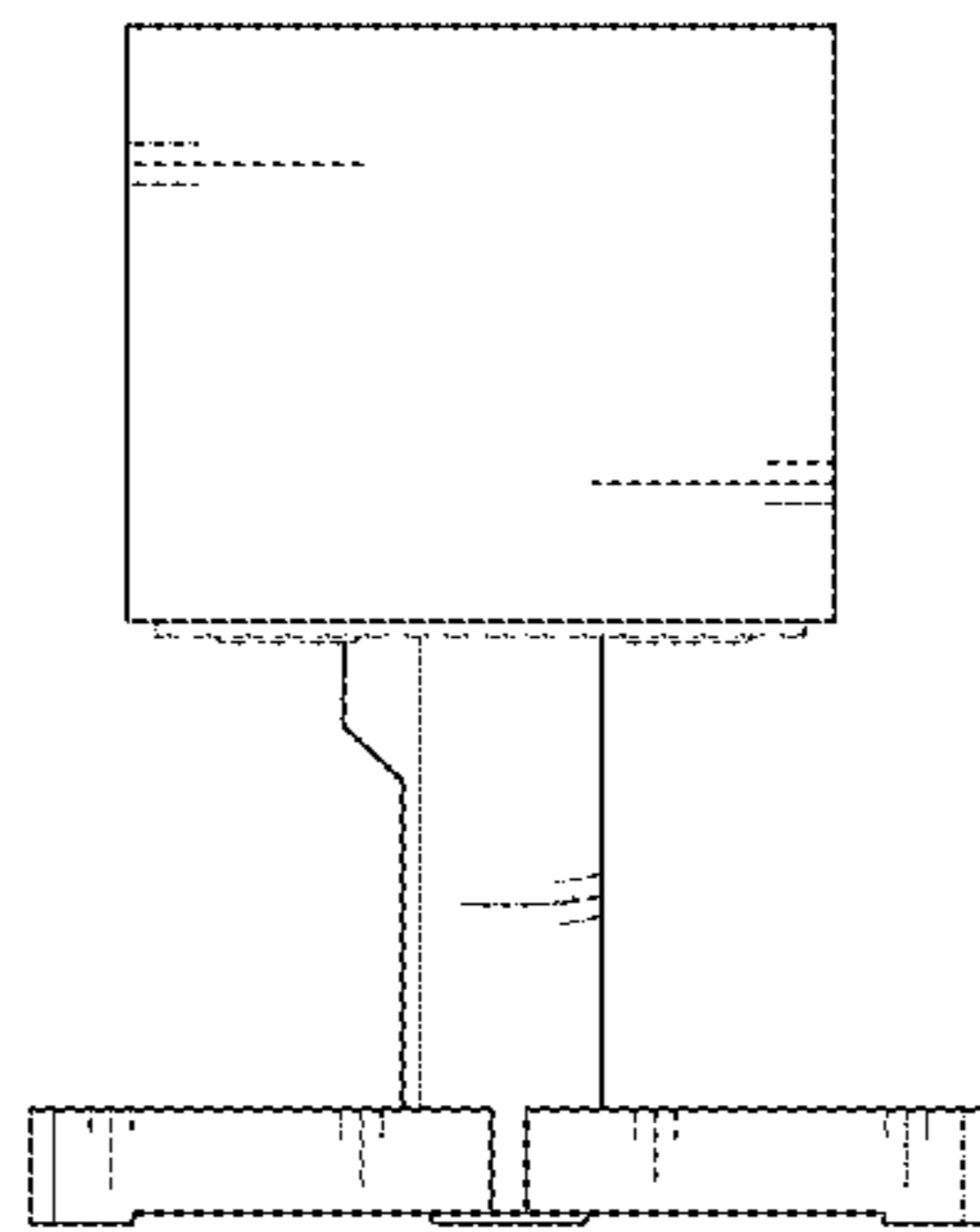
1. 2



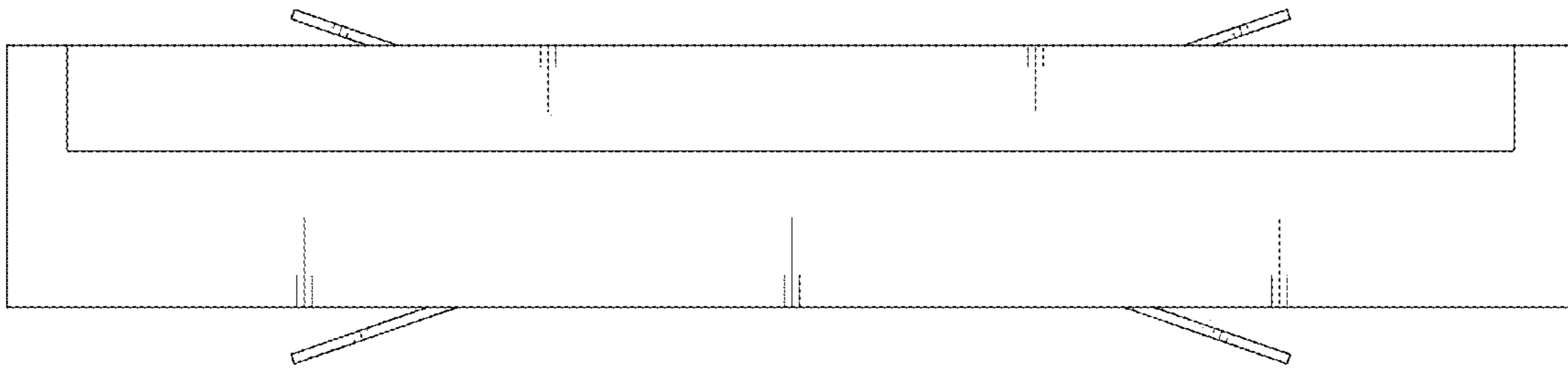
1. 3



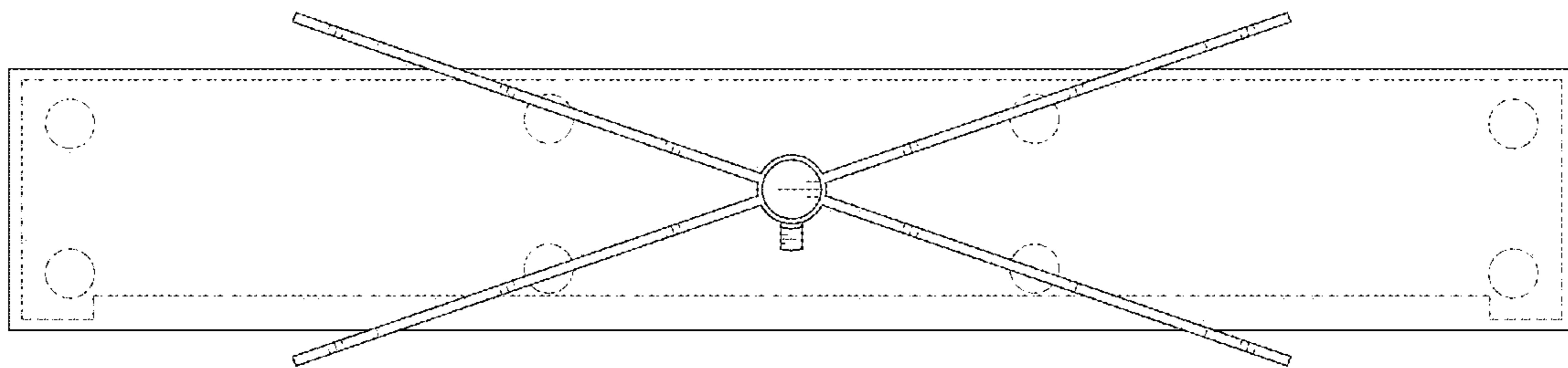
1. 4



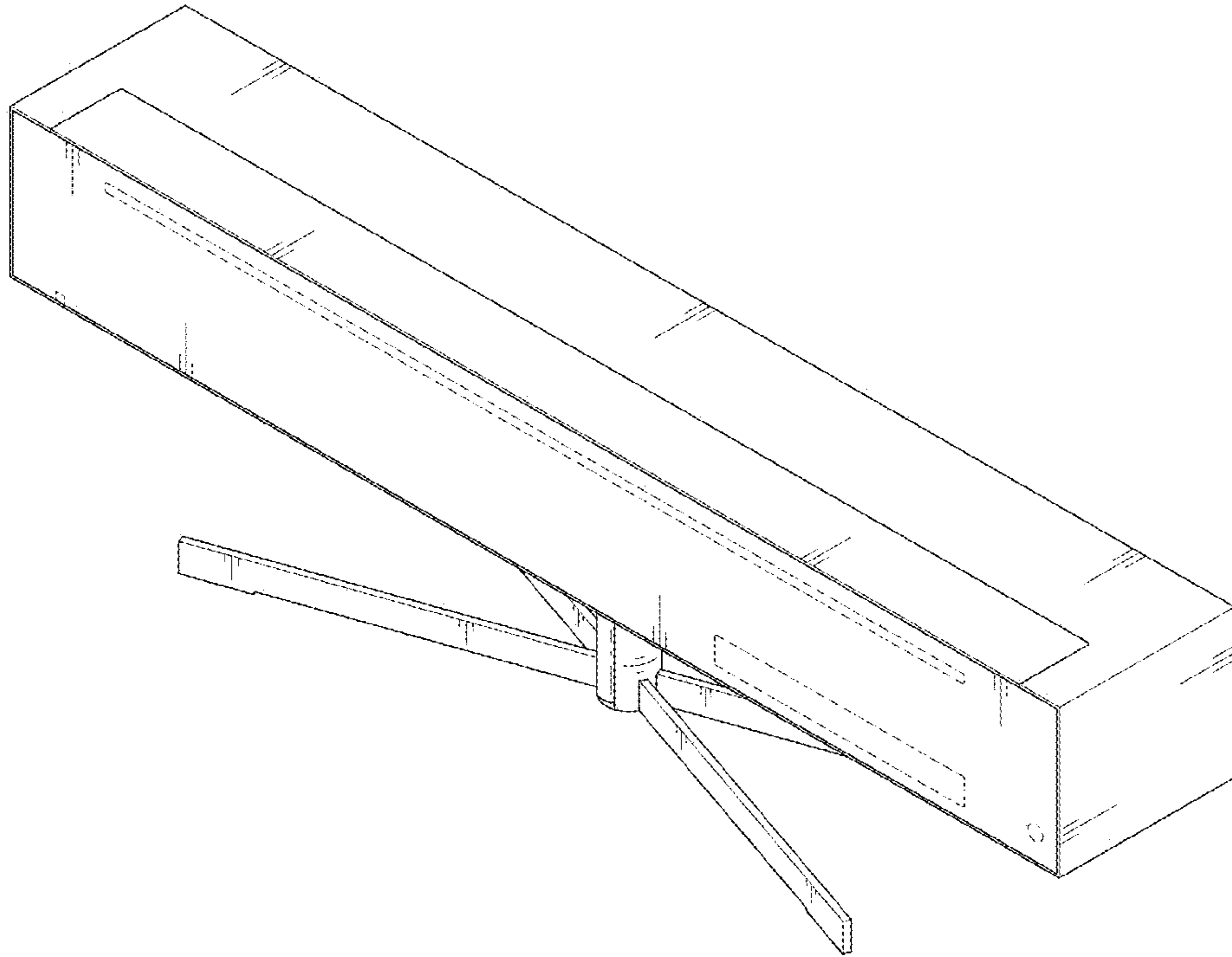
1. 5



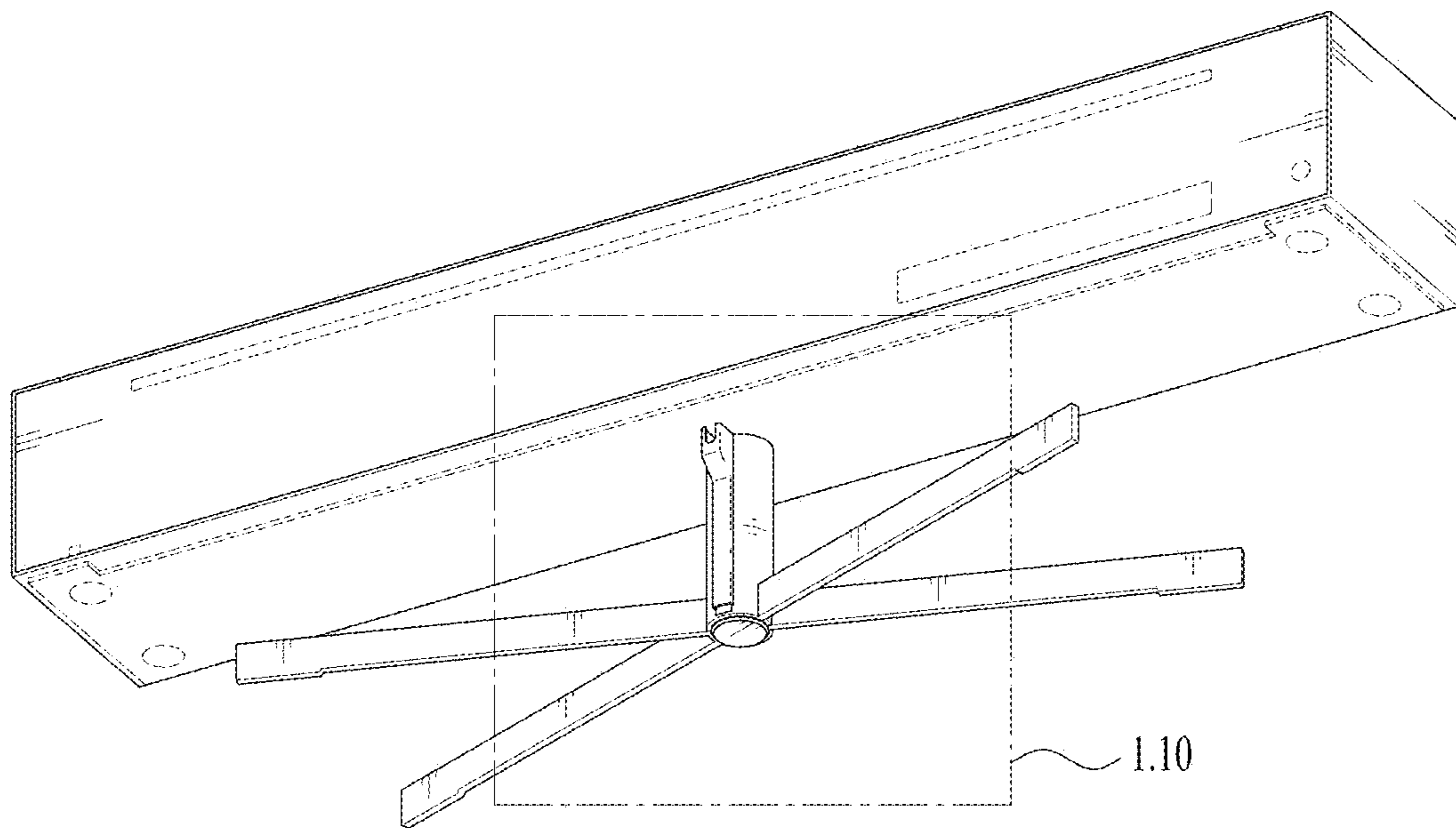
1. 6



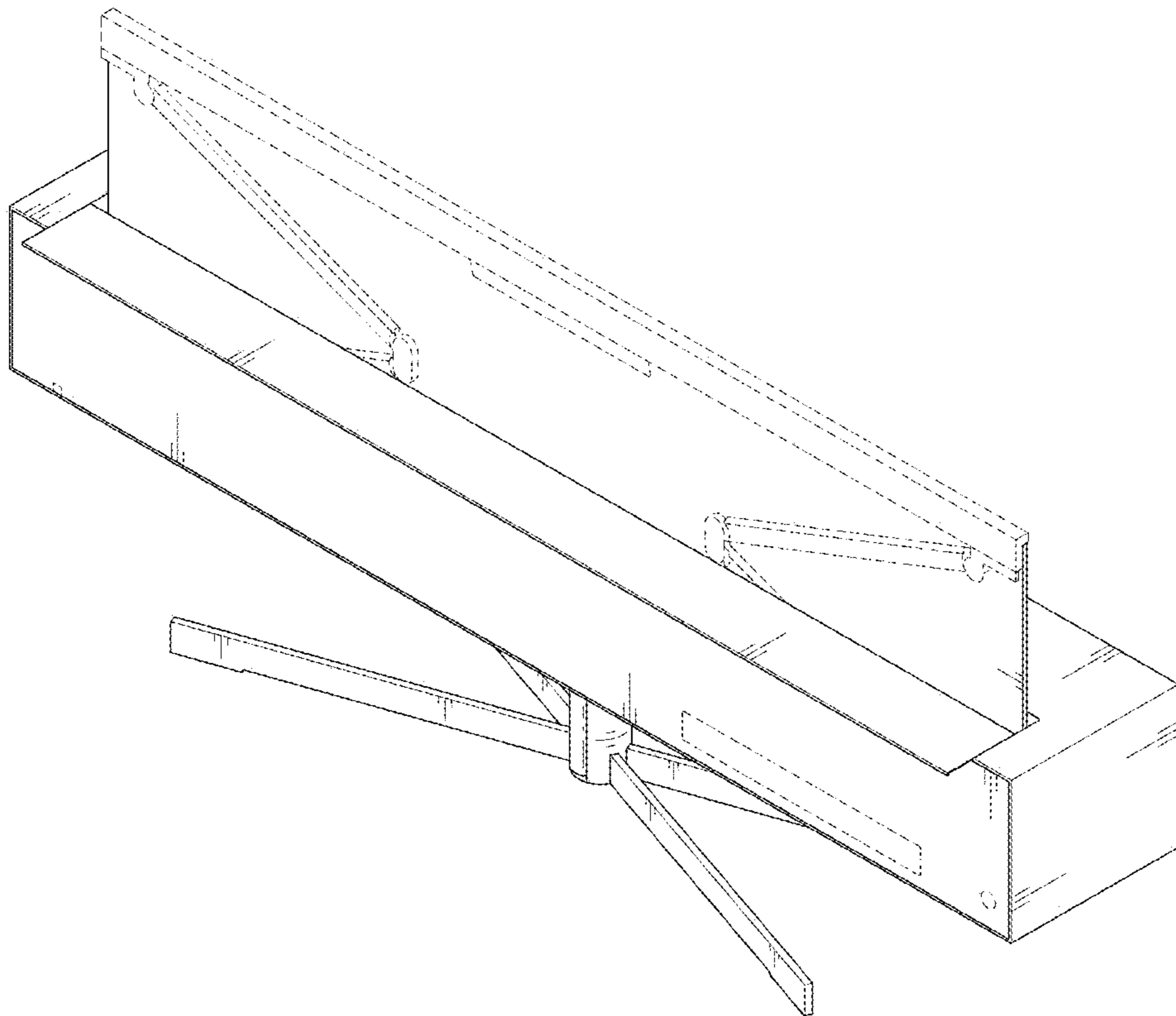
1. 7



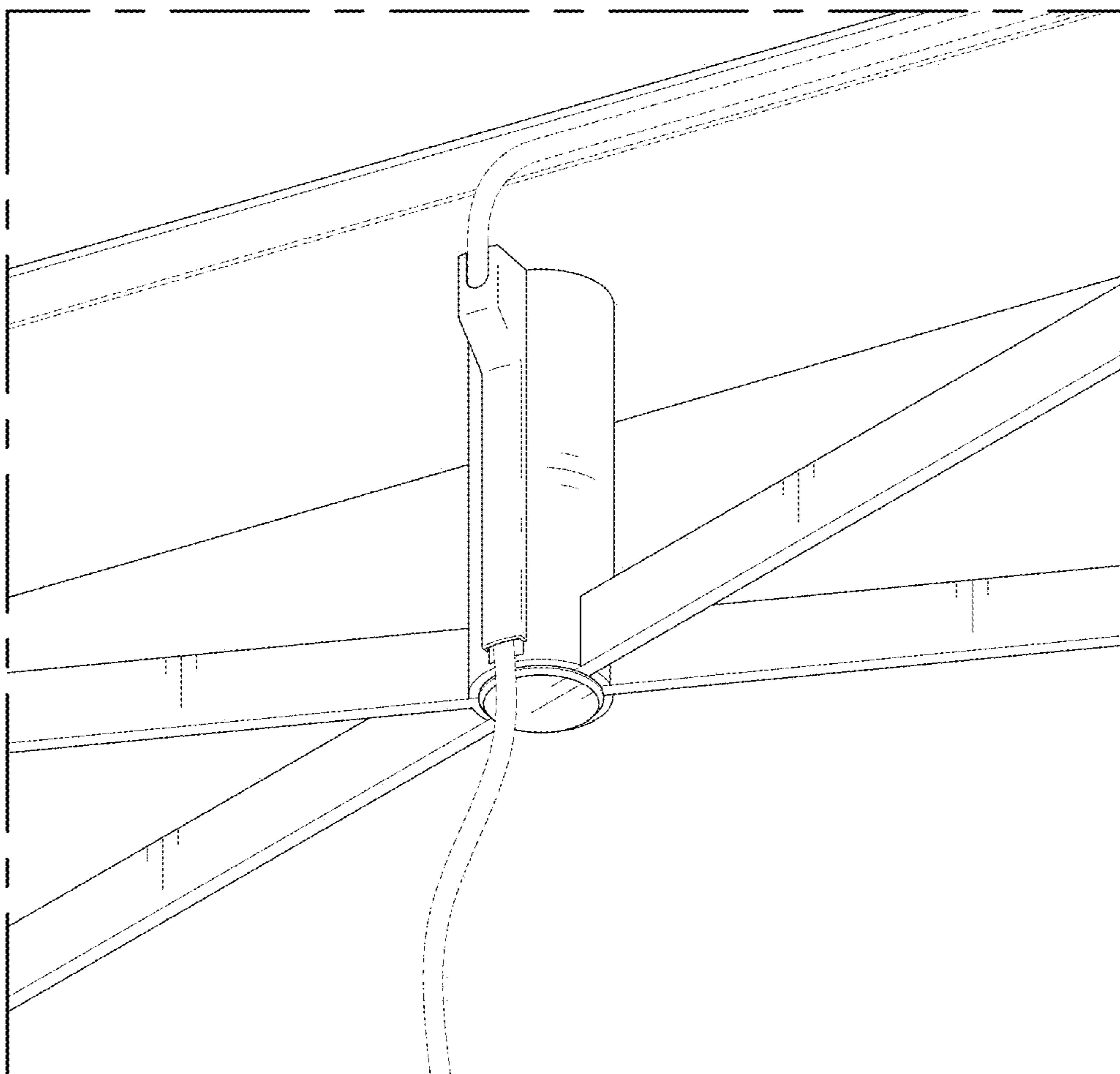
1. 8



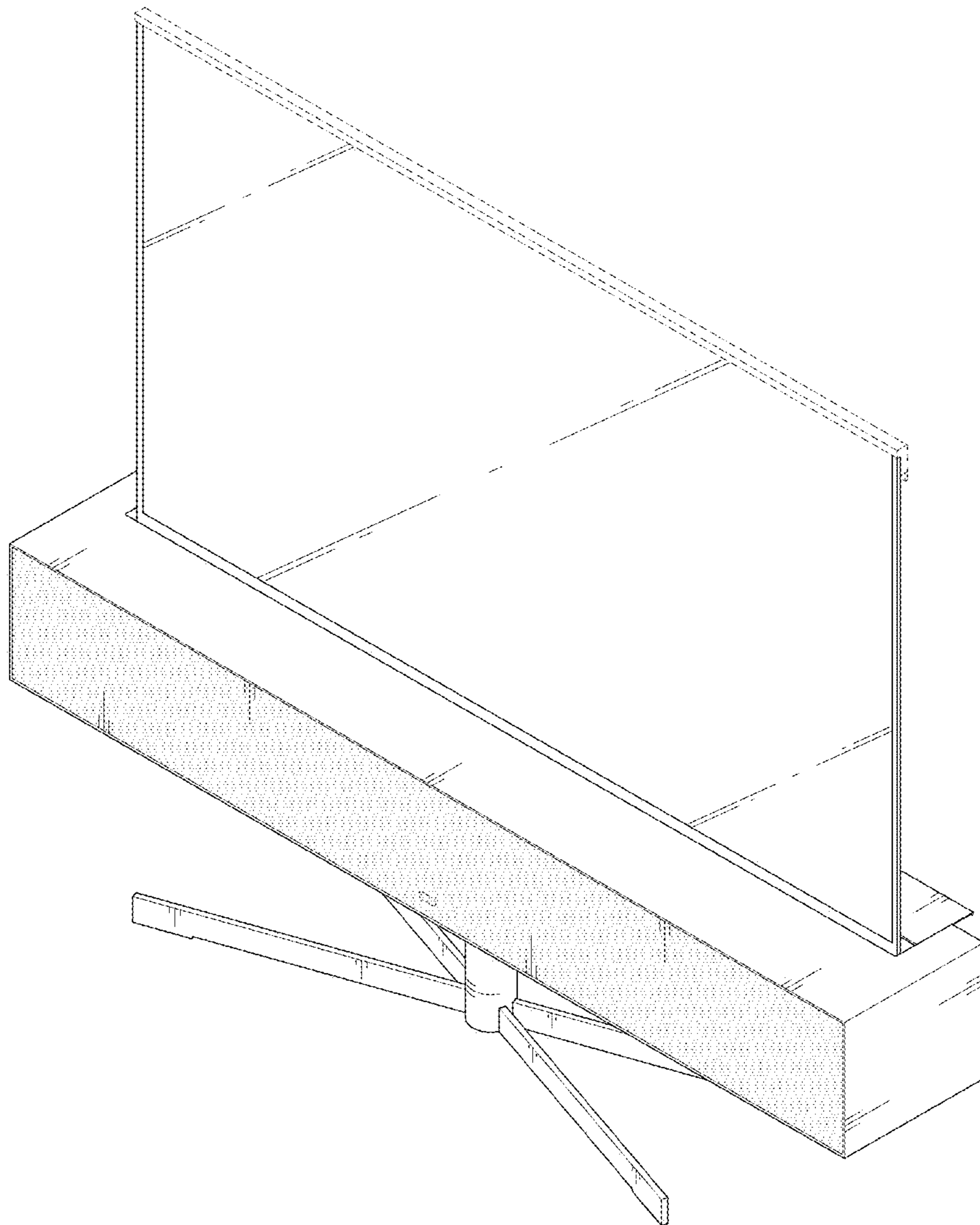
1. 9



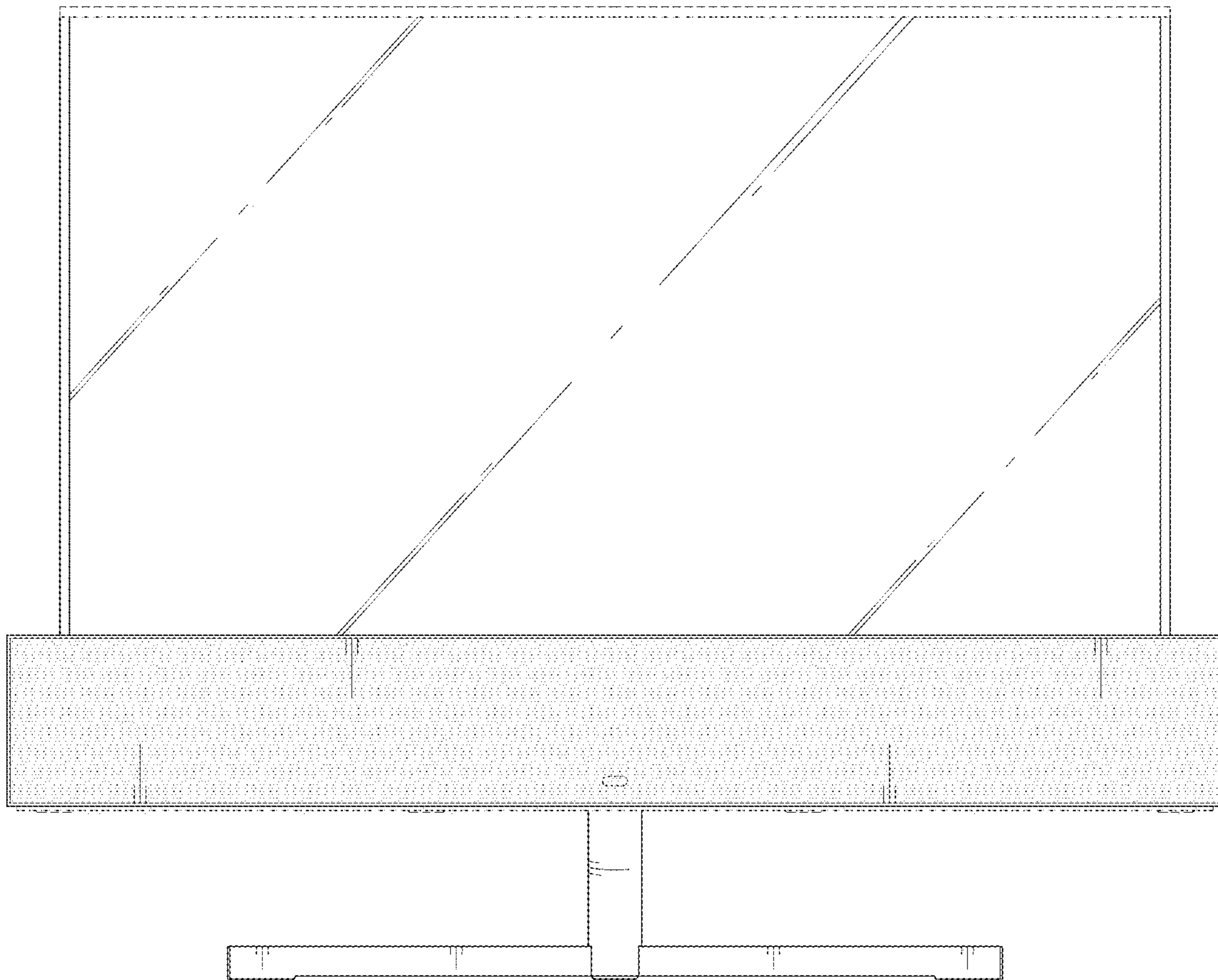
1. 10



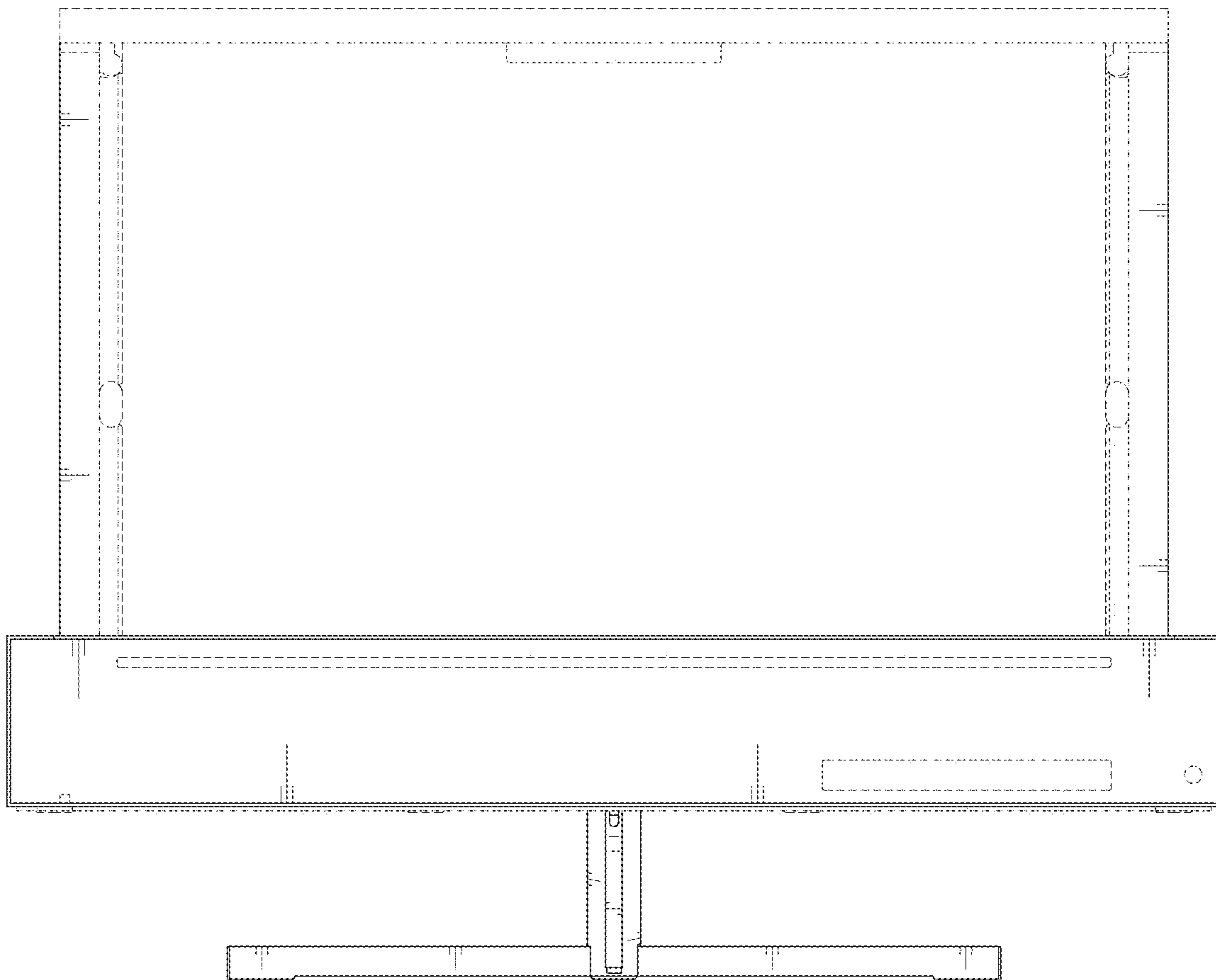
1. 11



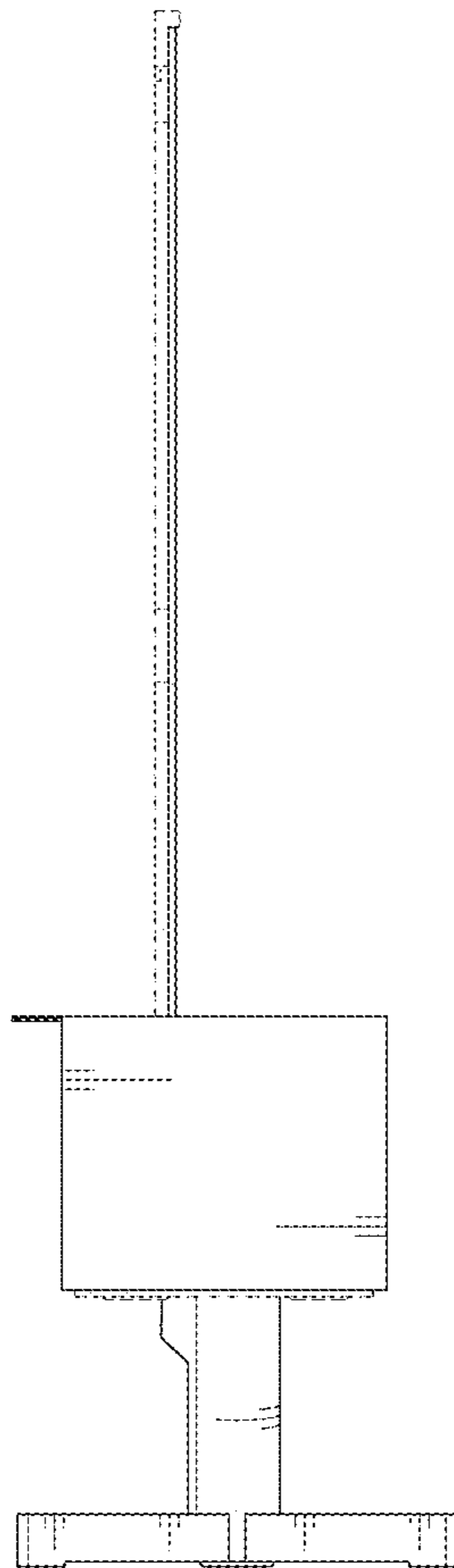
1. 12



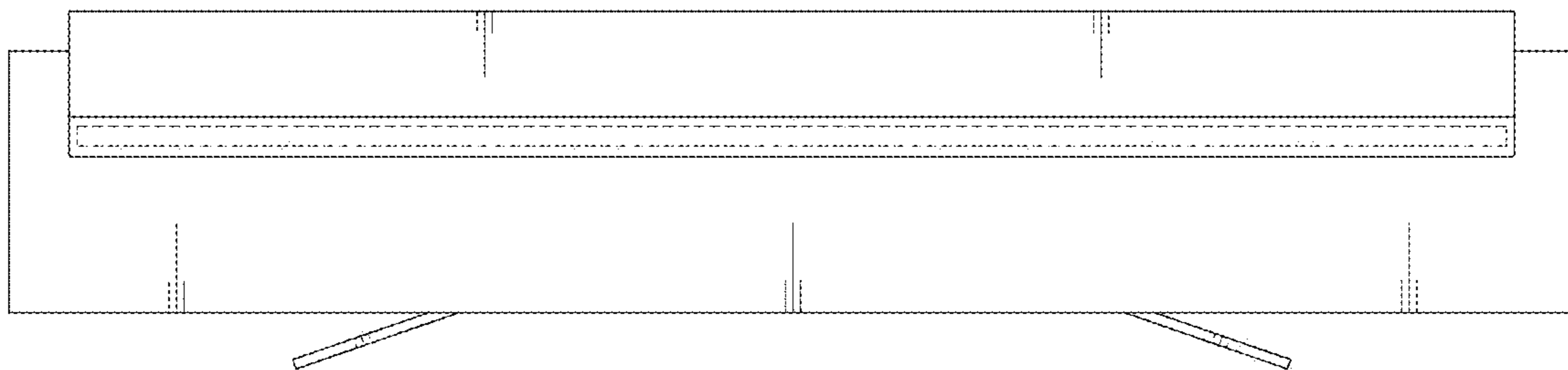
1. 13



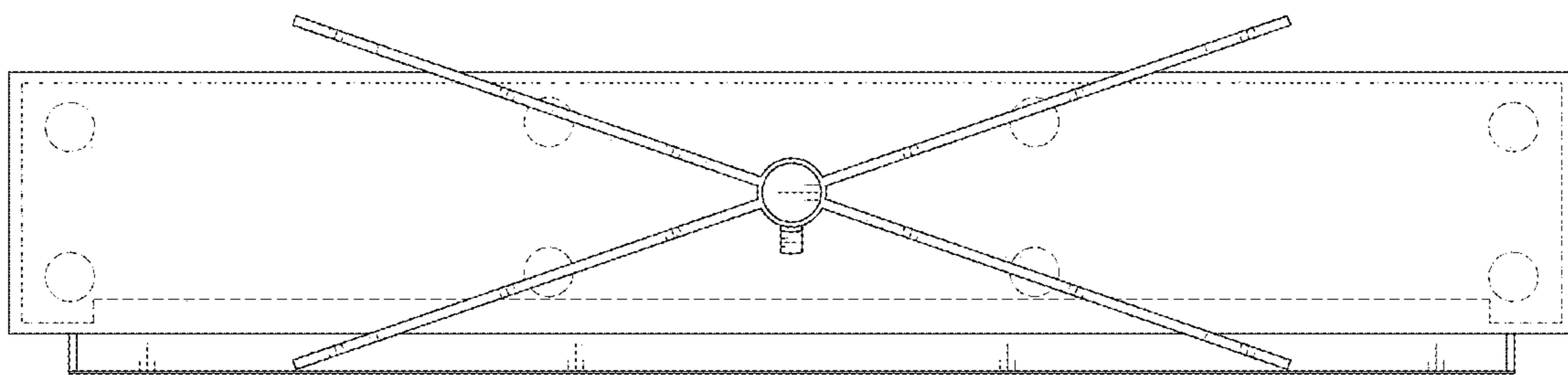
1. 14



1. 15



1. 16



1. 17

