



US00D900761S

(12) **United States Design Patent** (10) **Patent No.:** **US D900,761 S**
Bae et al. (45) **Date of Patent:** **** Nov. 3, 2020**

(54) **PORTABLE MONITOR**

- (71) Applicant: **LG ELECTRONICS INC.**, Seoul (KR)
- (72) Inventors: **Jinwan Bae**, Seoul (KR); **Seunghoon Ryu**, Seoul (KR)
- (73) Assignee: **LG ELECTRONICS INC.**, Seoul (KR)
- (**) Term: **15 Years**
- (21) Appl. No.: **29/681,541**
- (22) Filed: **Feb. 26, 2019**
- (30) **Foreign Application Priority Data**

- Aug. 27, 2018 (KR) 30-2018-0039782
- (51) **LOC (12) Cl.** **14-03**
- (52) **U.S. Cl.**
USPC **D14/126; D14/239**
- (58) **Field of Classification Search**
USPC D14/125-137, 239, 314-316, 334, 335, D14/371; D9/414, 770; D6/300
CPC G06F 1/16; G06F 1/1601; G06F 1/1637; G06F 3/041; G06F 3/0412; G06F 3/0416; H04N 5/64; H05K 5/0204; H05K 5/0017; H05K 5/0217; H04M 1/725; H04M 1/0202; H04M 1/0266
See application file for complete search history.

(56) **References Cited**

U.S. PATENT DOCUMENTS

- 3,087,535 A * 4/1963 Muller G03B 21/58 160/24
 - D503,045 S * 3/2005 Hahn D6/300
- (Continued)

FOREIGN PATENT DOCUMENTS

- CN 201930078492.X * 8/2019
 - CN 201930078841.8 * 11/2019
- (Continued)

OTHER PUBLICATIONS

EPSON ES1000 Ultra Portable Tabletop Projection Screen, 2014 [online], [retrieved Aug. 18, 2020], Retrieved from Internet, URL: <https://www.neweggbusiness.com/Product/Product.aspx?Item=9SIV1DS7B14746&source=region&nm_mc=KNC-GoogleBizMKPL-PC&cm_mmc=KNC%E2%80%A6> (Year: 2014).*

Primary Examiner — Barbara Fox
Assistant Examiner — Aram Kwon

(74) *Attorney, Agent, or Firm* — Birch, Stewart, Kolasch & Birch, LLP

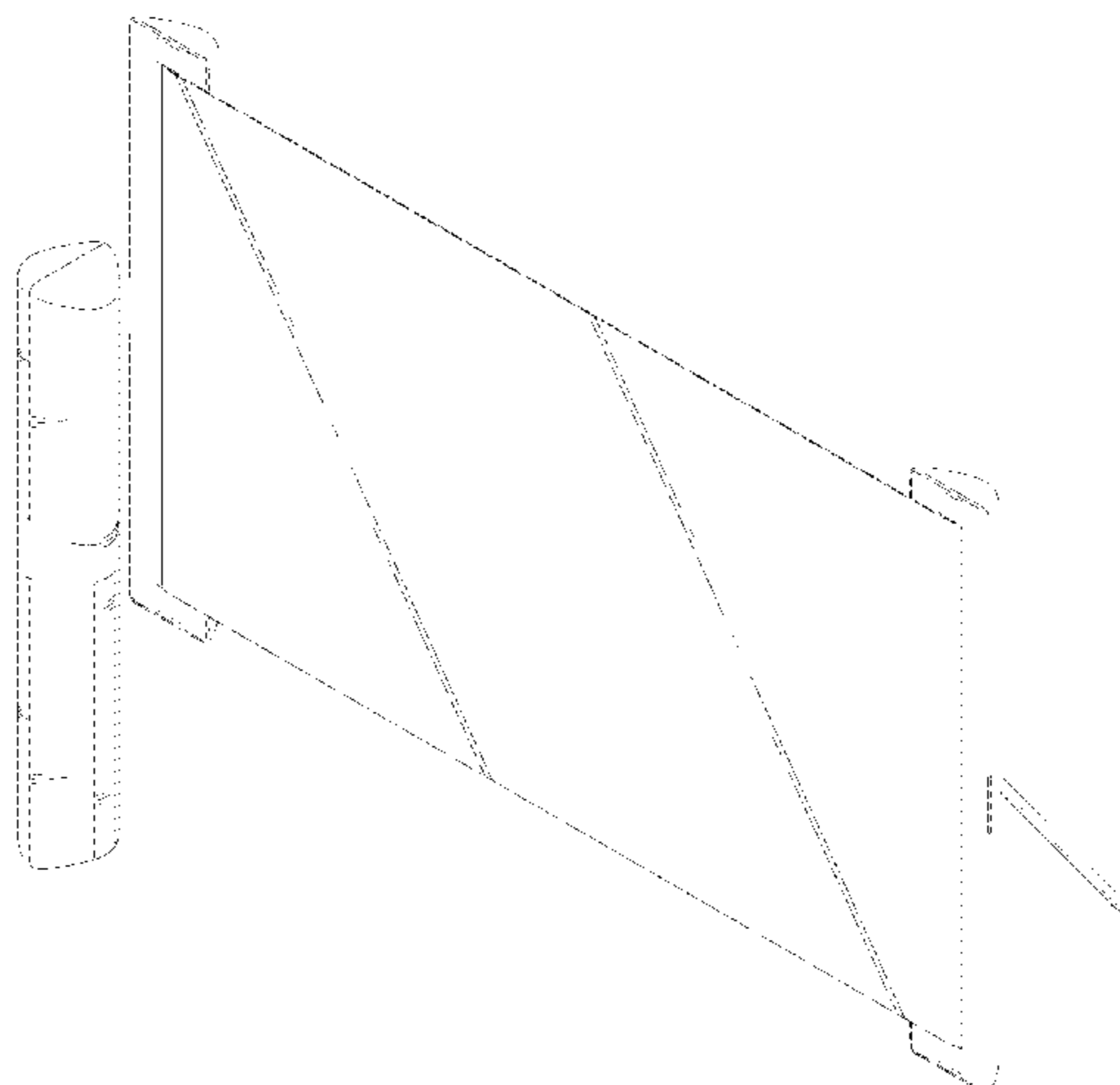
(57) **CLAIM**

The ornamental design for a portable monitor, as shown and described.

DESCRIPTION

FIG. 1 is a front perspective view of the portable monitor showing our new design;
 FIG. 2 is a front view thereof where the rear view is a mirror image;
 FIG. 3 is a left side view thereof where the right side view is a mirror image;
 FIG. 4 is a top plan view thereof;
 FIG. 5 is a bottom plan view thereof;
 FIG. 6 is a front perspective view in a condition that the main body has been divided into two, the display has been fully expanded and the lower supports are protruded;
 FIG. 7 is a front view of FIG. 6;
 FIG. 8 is a rear view of FIG. 6;
 FIG. 9 is a left side view of FIG. 6 where the right side view is a mirror image;
 FIG. 10 is a top plan view of FIG. 6; and,
 FIG. 11 is a bottom plan view of FIG. 6.
 The broken lines depict portions of the portable monitor that form no part of the claimed design.

1 Claim, 11 Drawing Sheets



(56)

References Cited

U.S. PATENT DOCUMENTS

D518,109 S * 3/2006 Opolka D20/42
 D520,046 S * 5/2006 Miyagawa D16/241
 D594,894 S * 6/2009 Adams D16/241
 D602,973 S * 10/2009 Adams D16/241
 7,907,337 B2 * 3/2011 Daniel G09F 9/301
 359/461
 D646,332 S * 10/2011 Yi D20/15
 D713,807 S * 9/2014 Seo D14/126
 D713,808 S * 9/2014 Ryu D14/126
 D733,672 S * 7/2015 Choi D14/126
 D735,714 S * 8/2015 Sang D14/371
 D758,330 S * 6/2016 Lee D14/126
 D766,857 S * 9/2016 Won D14/126
 D766,858 S * 9/2016 Lee D14/126
 D772,827 S * 11/2016 Lee D14/126
 D776,631 S * 1/2017 Kim D14/126
 9,659,512 B2 * 5/2017 Lee G09F 15/0062
 D807,311 S * 1/2018 Lee D14/126
 9,870,029 B2 * 1/2018 Kim G06F 1/1652
 9,911,369 B2 * 3/2018 Kim G09F 9/301
 D836,076 S * 12/2018 Cho D14/138 AD
 10,186,681 B2 * 1/2019 Kang H01L 27/3276
 10,199,596 B2 * 2/2019 Oh H01L 51/0097
 D843,960 S * 3/2019 Catania D14/126
 10,517,180 B2 * 12/2019 Choi H05K 5/0017
 D876,376 S * 2/2020 Catania D14/126

10,602,623 B1 * 3/2020 Myers G06F 3/147
 10,617,017 B2 * 4/2020 Park H05K 5/0217
 2005/0041012 A1 * 2/2005 Daniel G06F 1/1601
 345/156
 2016/0034000 A1 * 2/2016 Lee G06F 1/1652
 361/749
 2016/0120023 A1 * 4/2016 Choi G02F 1/133305
 361/749
 2016/0202729 A1 * 7/2016 Lee G06F 1/1652
 361/750
 2016/0212822 A1 * 7/2016 Kim H05B 33/10
 2016/0353588 A1 * 12/2016 Kim G09F 15/0025
 2016/0379589 A1 * 12/2016 Longo G06F 1/1601
 345/520
 2018/0011516 A1 * 1/2018 Seo H04N 5/64
 2018/0070467 A1 * 3/2018 Kim G06F 1/1601
 2018/0198899 A1 * 7/2018 Lee H04M 1/0266
 2019/0012008 A1 * 1/2019 Yoon G06F 1/1615
 2019/0053387 A1 * 2/2019 Choi H05K 5/0217
 2020/0022268 A1 * 1/2020 Zuo G06F 1/1647
 2020/0100371 A1 * 3/2020 Choi H05K 1/147
 2020/0221586 A1 * 7/2020 Gao H05K 5/0017

FOREIGN PATENT DOCUMENTS

JP D2016-500101 * 6/2017
 KR 3020190043574 * 11/2019
 WO WOD204167-001 * 2/2020

* cited by examiner

FIG. 1

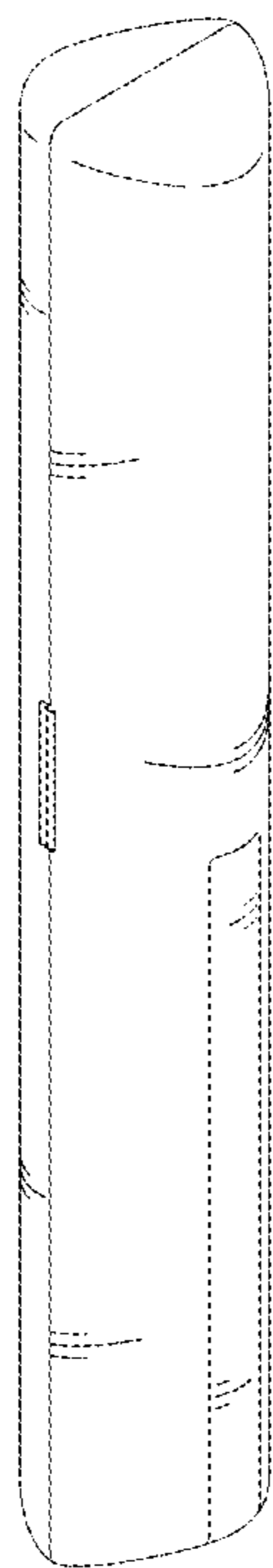


FIG. 2

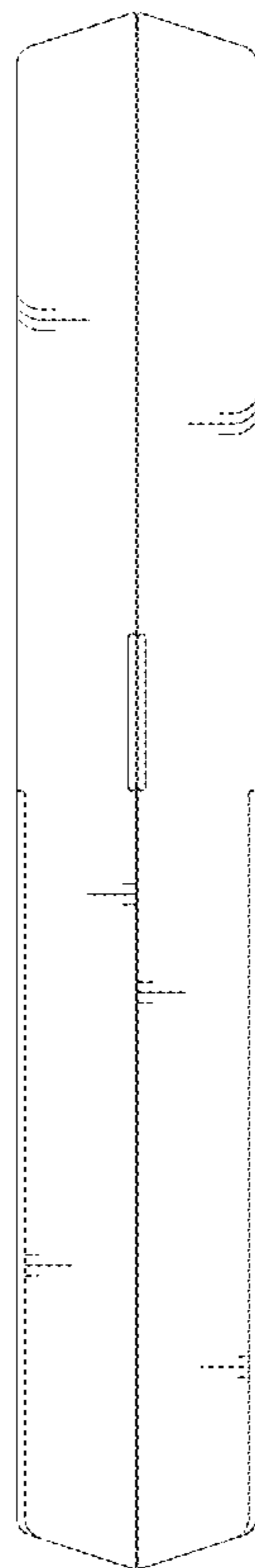


FIG. 3

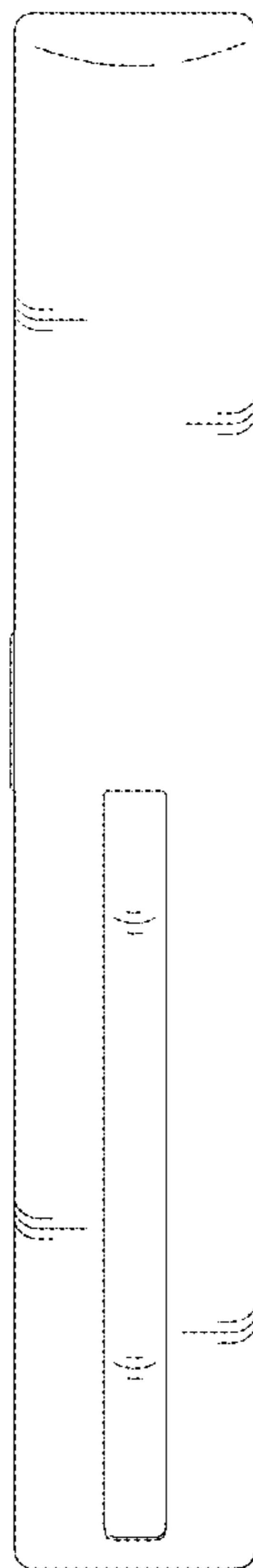


FIG. 4

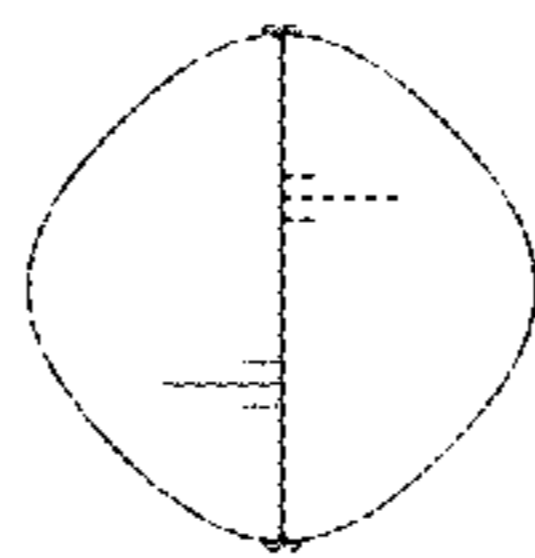


FIG. 5

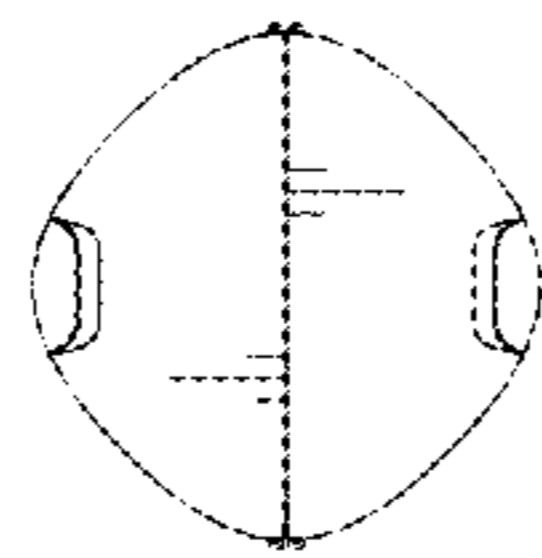


FIG. 6

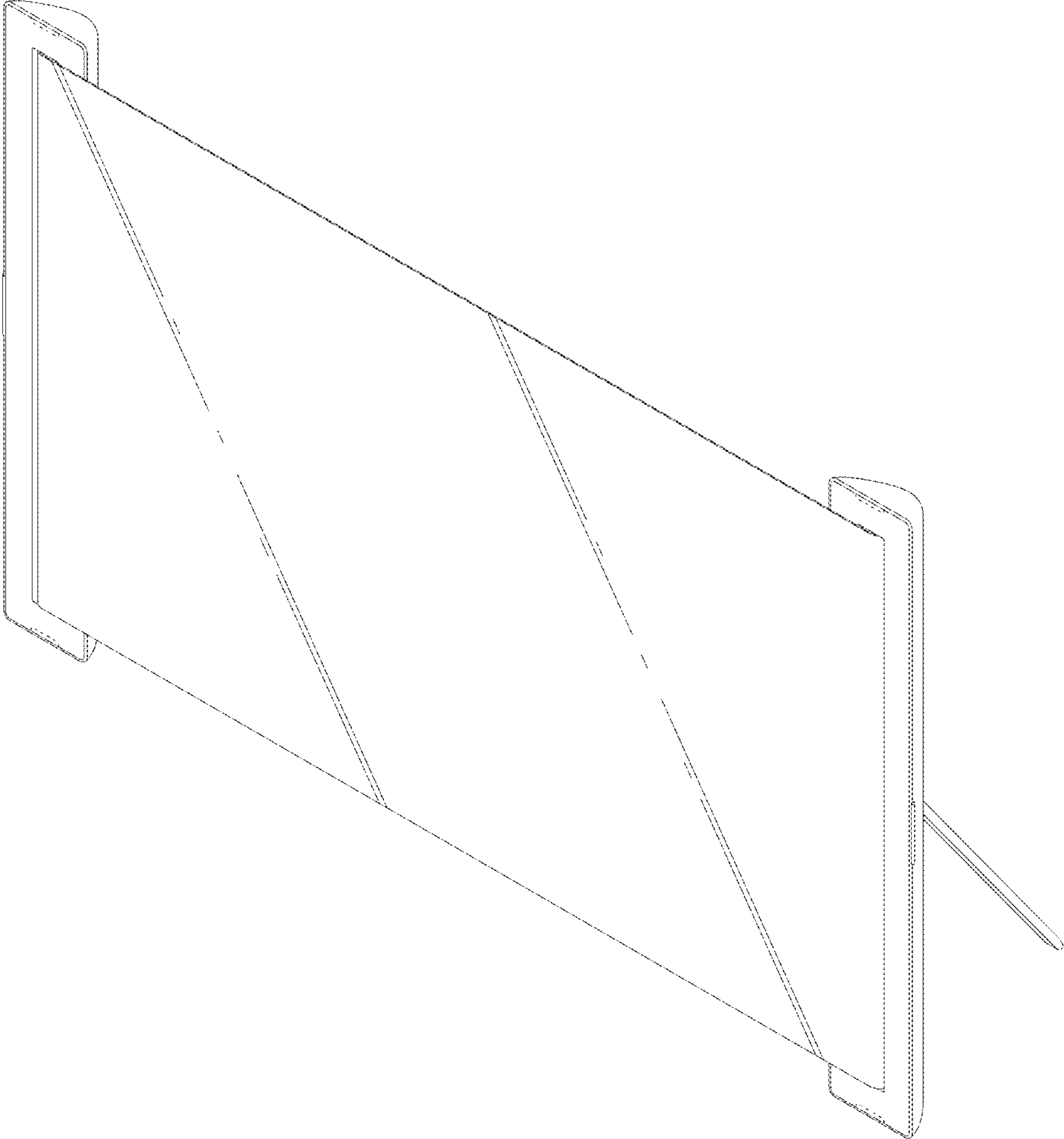


FIG. 7

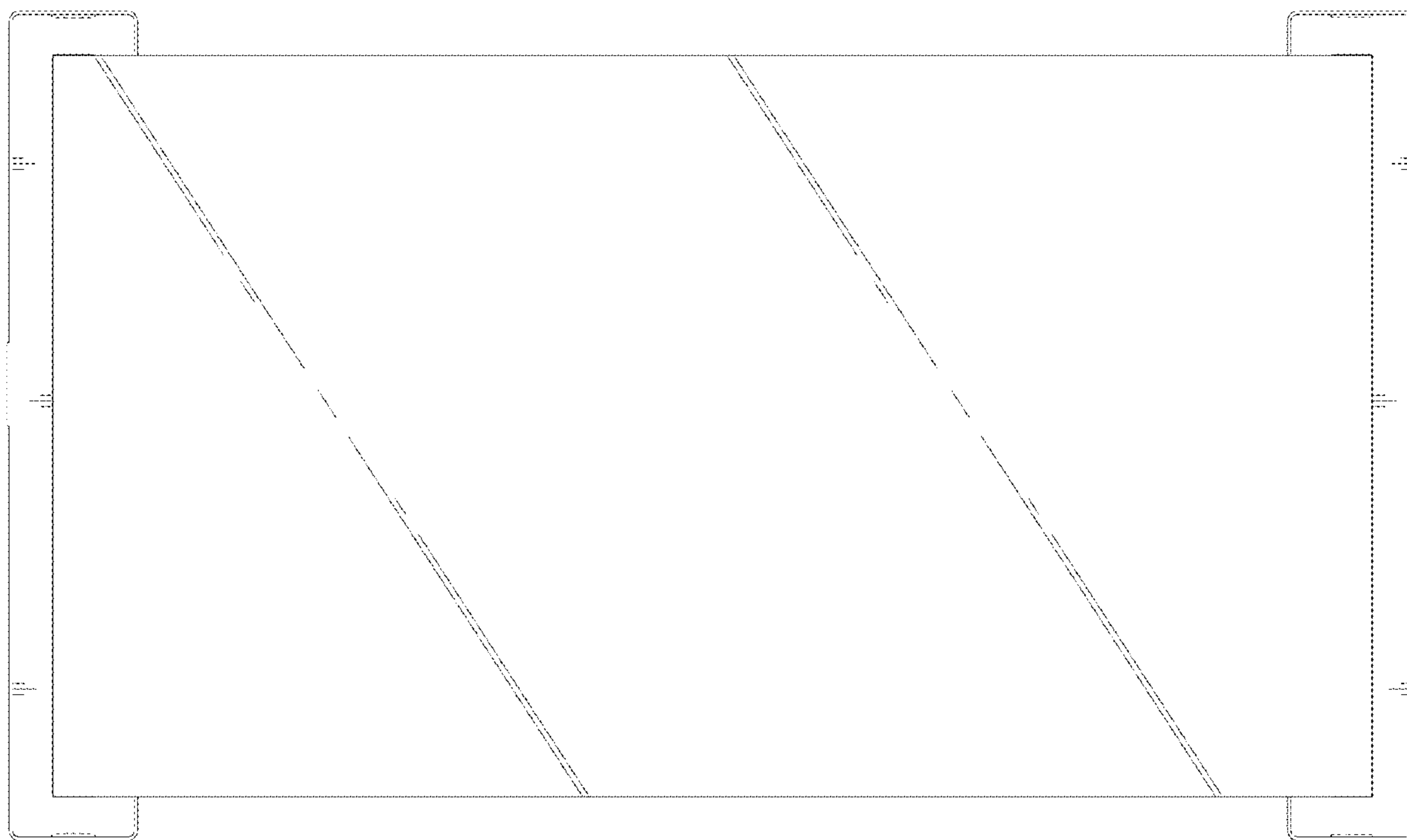


FIG. 8

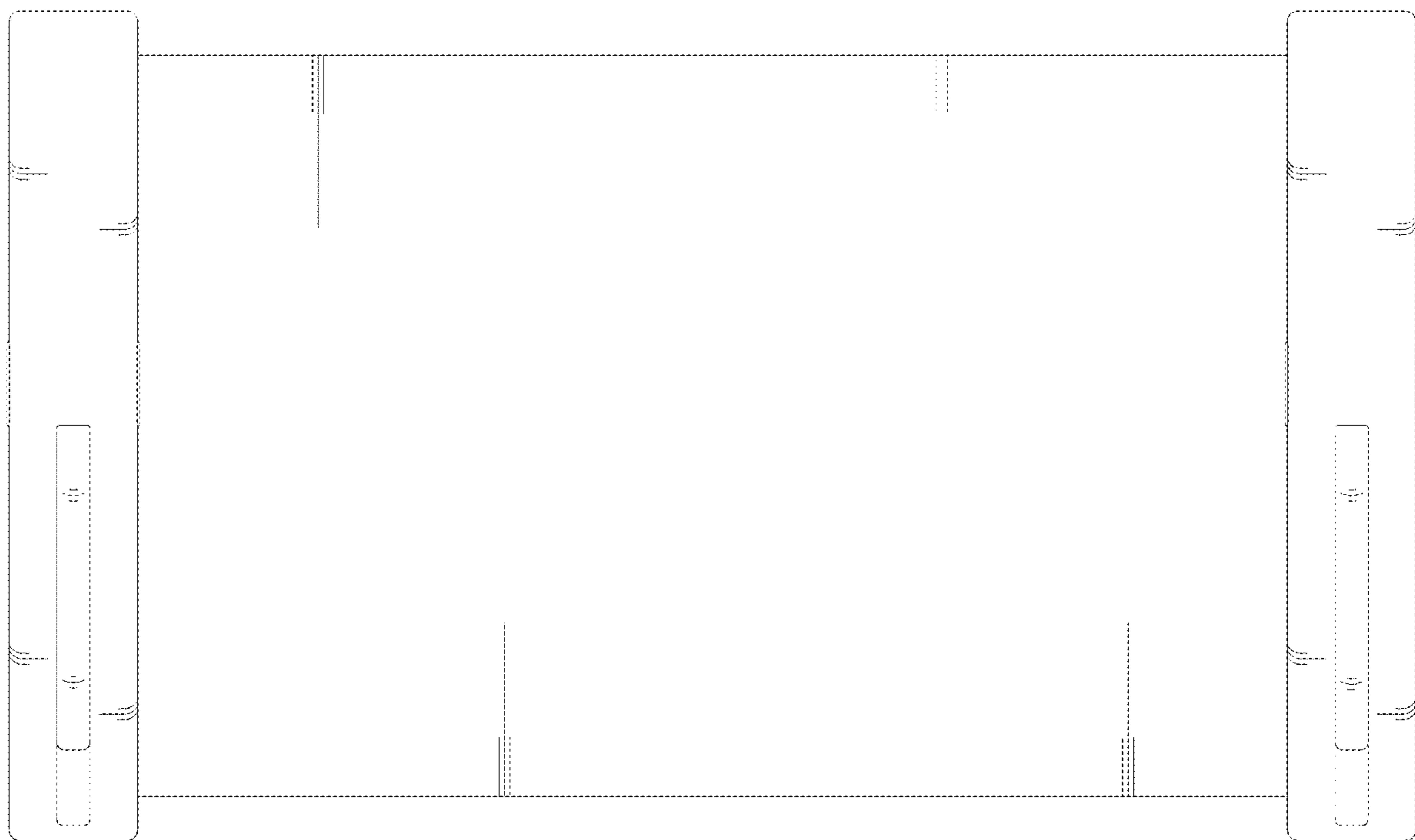


FIG. 9

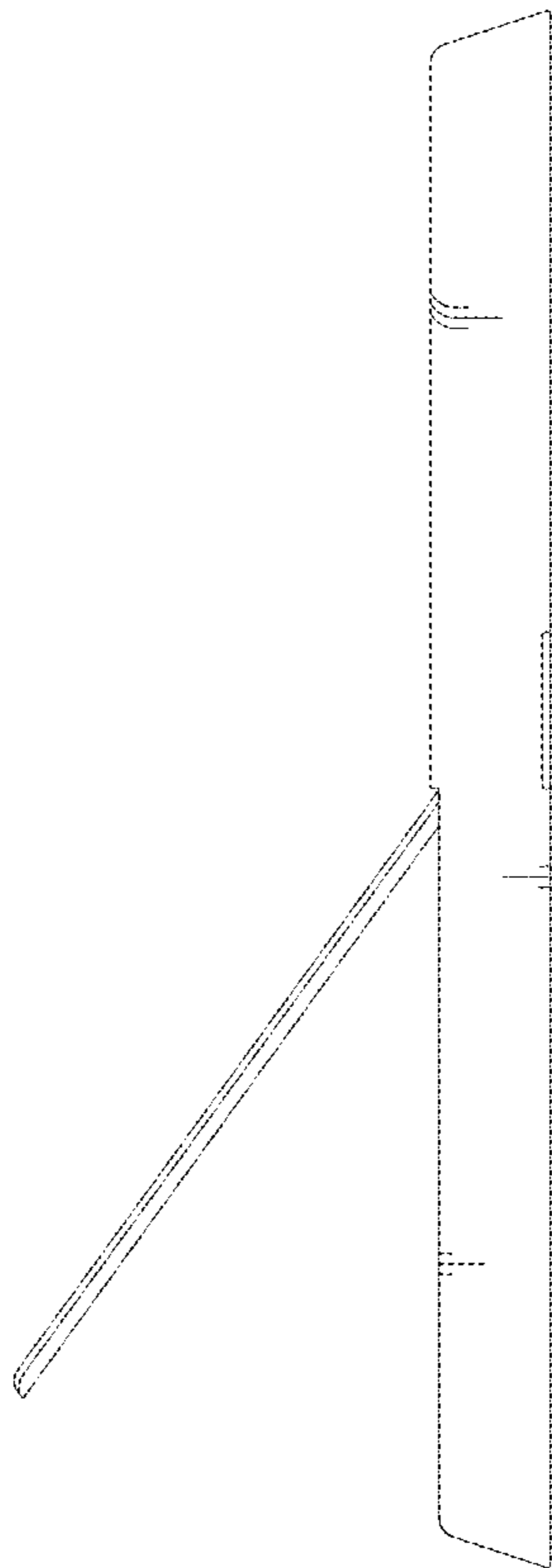


FIG. 10



FIG. 11

