



US00D900757S

(12) **United States Design Patent**
Wan

(10) **Patent No.:** **US D900,757 S**

(45) **Date of Patent:** **** Nov. 3, 2020**

(54) **BATTERY ISOLATOR**

(71) Applicant: **Premier Technologies Ltd.**, Kwai Chung, N.T. (HK)

(72) Inventor: **Kwok Kei Wan**, Hong Kong (TW)

(73) Assignee: **Premier Technologies Ltd.**, Hong Kong (HK)

(**) Term: **15 Years**

(21) Appl. No.: **29/678,019**

(22) Filed: **Jan. 25, 2019**

(51) **LOC (12) Cl.** **D13-03**

(52) **U.S. Cl.**
USPC **D13/159**; D13/110

(58) **Field of Classification Search**
USPC D13/107, 108, 110, 118, 119, 123, 133, D13/152, 158, 159, 162, 162.1, 164, 171, D13/173, 184, 199
CPC B60L 1/00; H01R 9/00; H01R 9/24; H01R 13/60; H02J 7/10; H02K 9/00; H02K 11/00; H05K 5/10
See application file for complete search history.

(56) **References Cited**

U.S. PATENT DOCUMENTS

D400,181 S	*	10/1998	Floyd	D13/162
D607,415 S	*	1/2010	Bedggood	D13/158
D624,494 S	*	9/2010	Patterson	D13/110
D665,353 S	*	8/2012	Balaban	D13/110
D693,311 S	*	11/2013	Biller	D13/151
D772,085 S	*	11/2016	Howe	D10/50
D772,171 S	*	11/2016	Ohmori	D13/158
D786,197 S	*	5/2017	Imai	D13/154
D794,576 S	*	8/2017	Hall	D13/159
D866,493 S	*	11/2019	Brooks	D13/184

OTHER PUBLICATIONS

Battery Doctor 150 Amp Battery Isolator, dated Apr. 9, 2014, [online], [site visited Jan. 29, 2020]. Available from Internet, URL: <https://www.batterymart.com/p-acc-20092-battery-isolator.html> (Year: 2014).*

PST-SSB2180/2280 Solid State Battery Isolator/Protector Manual, dated Feb. 2009, [online], [site visited Jan. 29, 2020]. Available from Internet, URL: https://www.distrelec.biz/Web/Downloads/_m/an/ssb2180_eng_man.pdf?pid=16905527 (Year: 2009).*

(Continued)

Primary Examiner — Angela J Lee

Assistant Examiner — Shawn T Gingrich

(57) **CLAIM**

The ornamental design for a battery isolator, as shown and described.

DESCRIPTION

FIG. 1 shows a front elevation view of a battery isolator; FIG. 2 shows a rear elevation view of the battery isolator of FIG. 1;

FIG. 3 shows a top plan view of the battery isolator of FIG. 1;

FIG. 4 shows a left elevation view of the battery isolator of FIG. 1;

FIG. 5 shows a right elevation view of the battery isolator of FIG. 1;

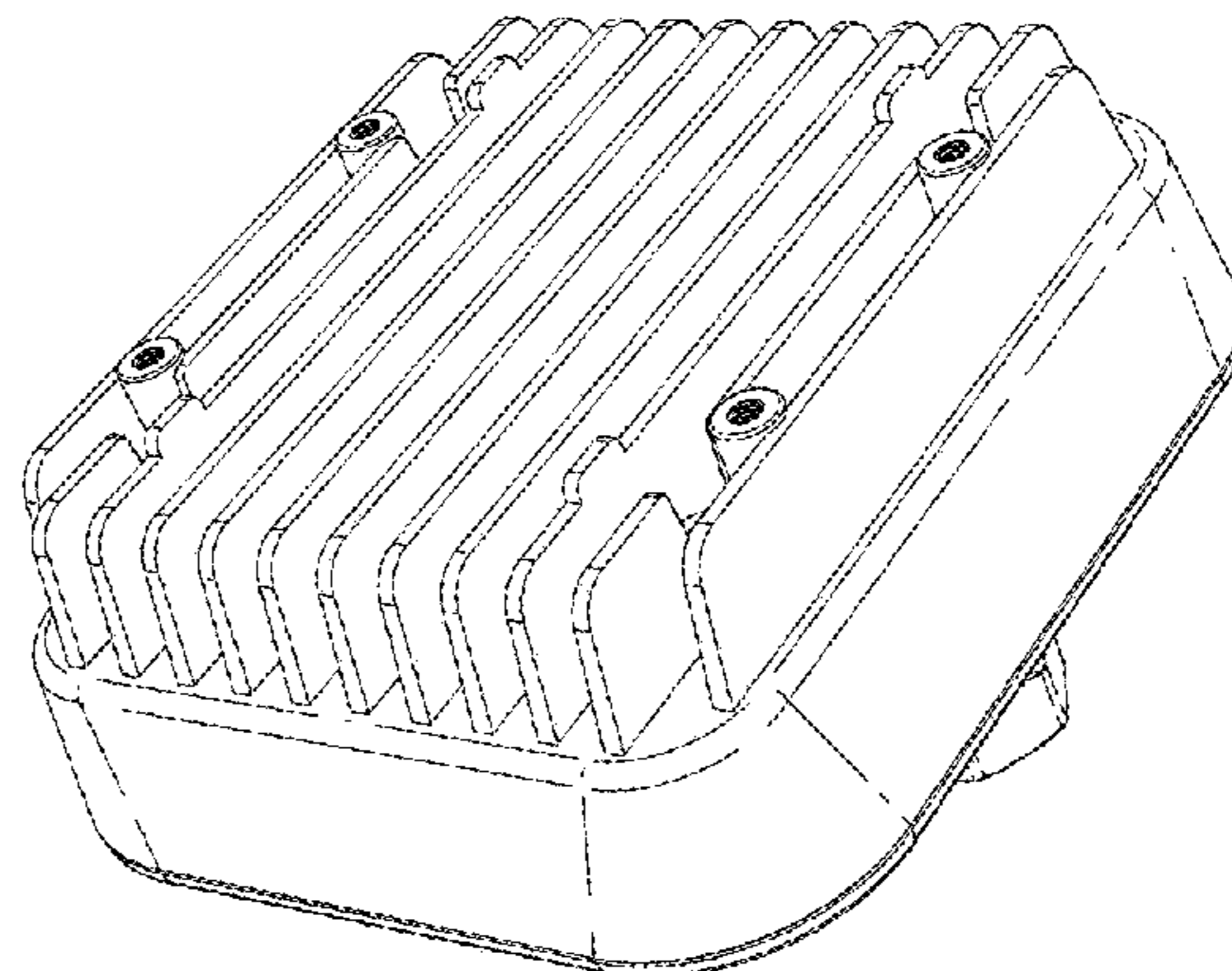
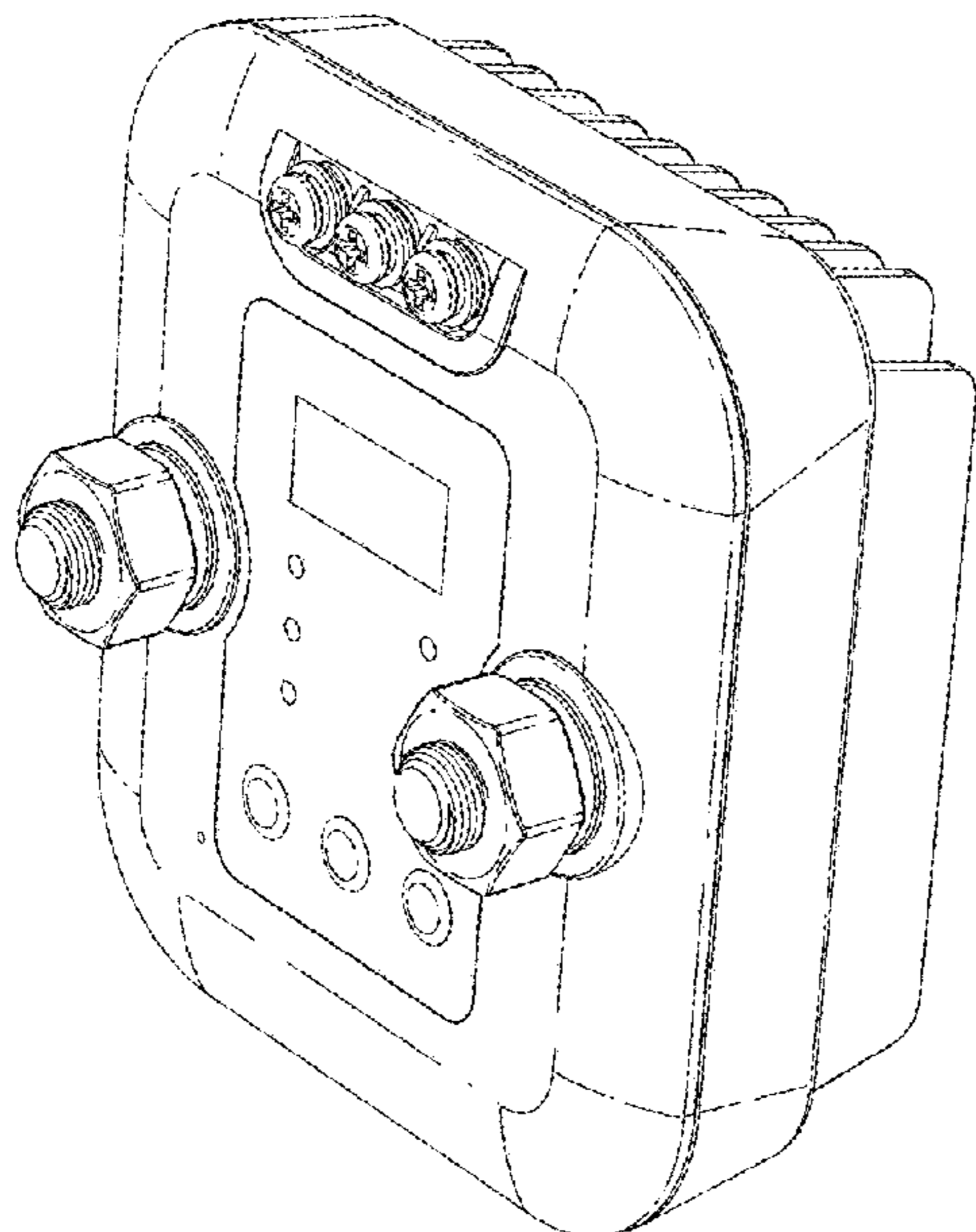
FIG. 6 shows a bottom plan view of the battery isolator of FIG. 1;

FIG. 7 shows a front perspective view of the battery isolator of FIG. 1; and,

FIG. 8 shows a rear perspective view of the battery isolator of FIG. 1.

The broken lines in the drawings illustrate [purpose of broken line] of the battery isolator that form no part of the claimed design.

1 Claim, 8 Drawing Sheets



(56)

References Cited

OTHER PUBLICATIONS

JayCorp Smart Dual Battery 140A Isolator, dated Aug. 18, 2010, [online], [site visited Jan. 29, 2020]. Available from Internet, URL: <https://www.amazon.com/Smart-Battery-Isolator-Voltage-Sensitive/dp/B00400IYTK> (Year: 2010).*

12V Heavy Duty Split Charge Relay 180 Amps Voltage Boat Caravan, dated Mar. 27, 2017, [online], [site visited Jan. 29, 2020]. Available from Internet, URL: <https://www.amazon.co.uk/HEAVY-CHARGE-VOLTAGE-CARAVAN-160740/dp/B06XWFX8L4> (Year: 2017).*

* cited by examiner

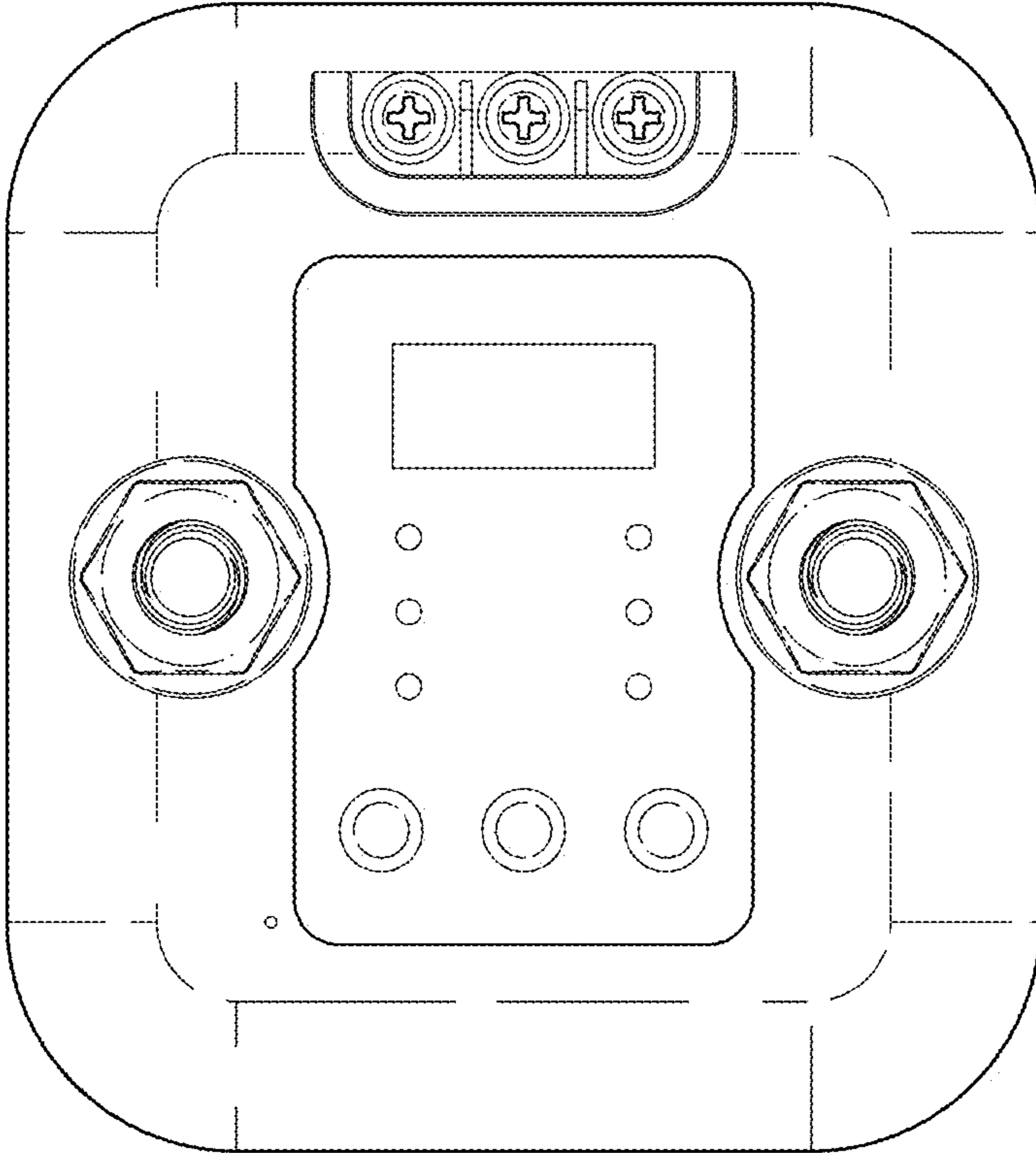


Fig. 1

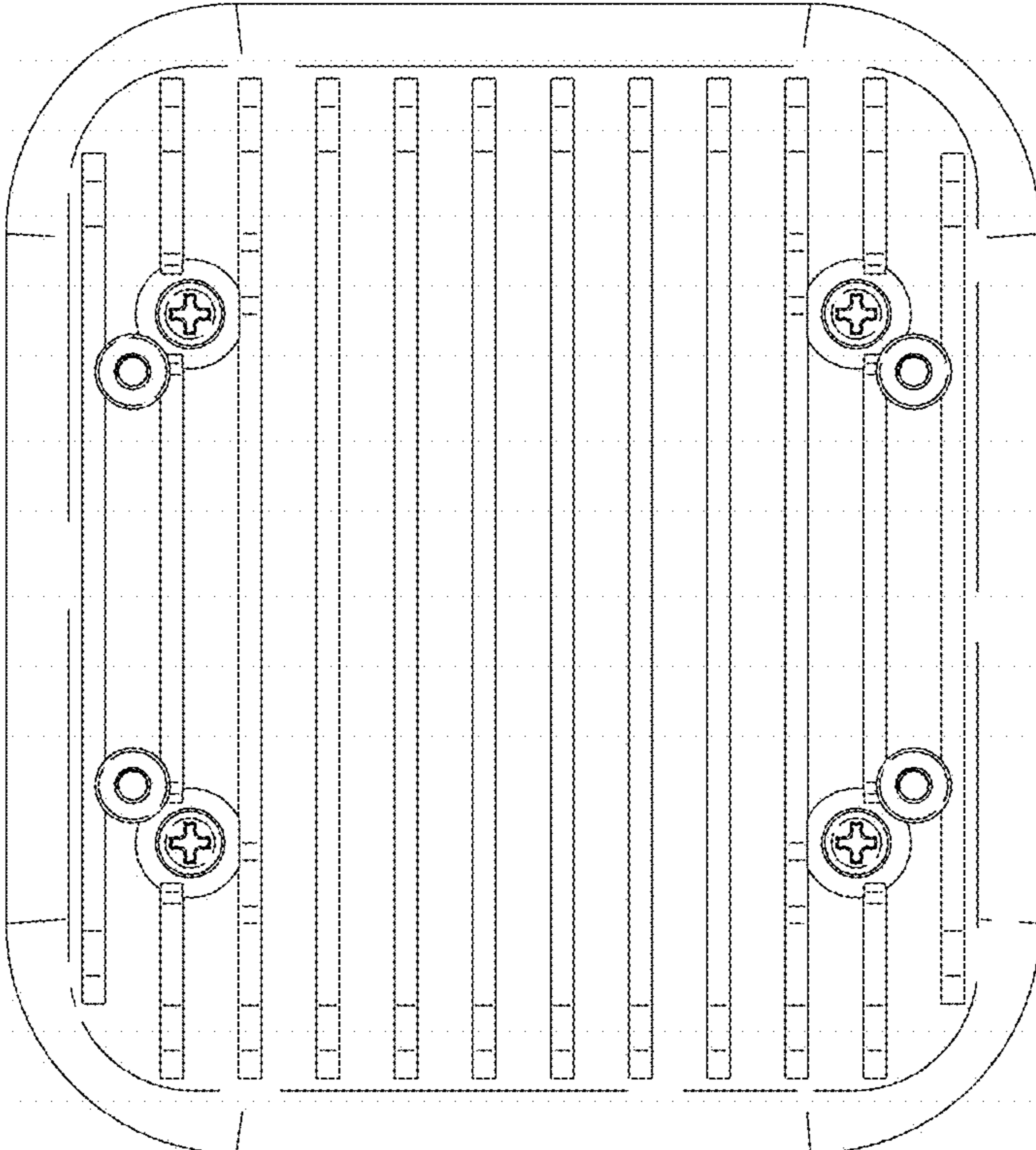


Fig. 2

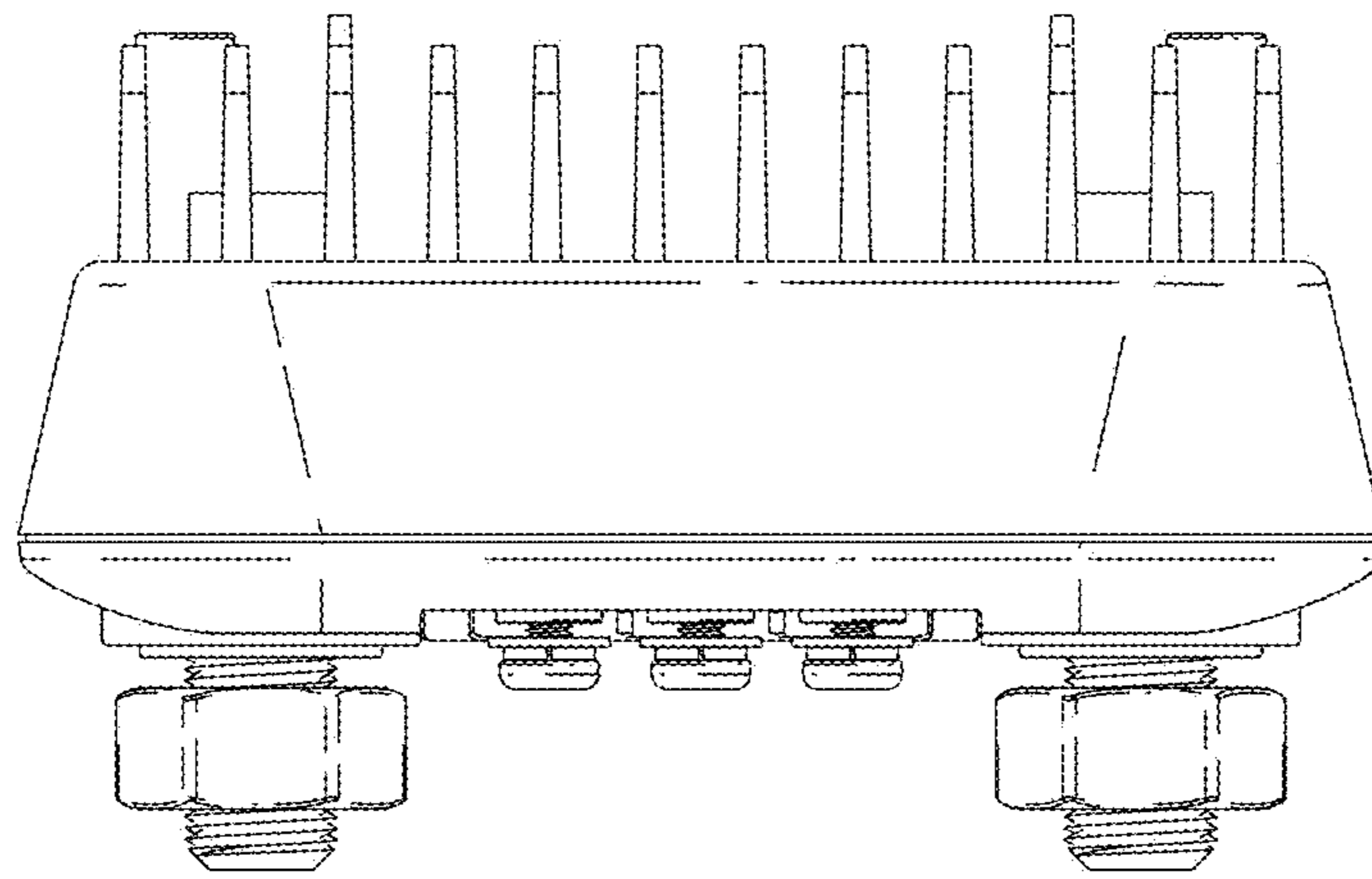


Fig. 3

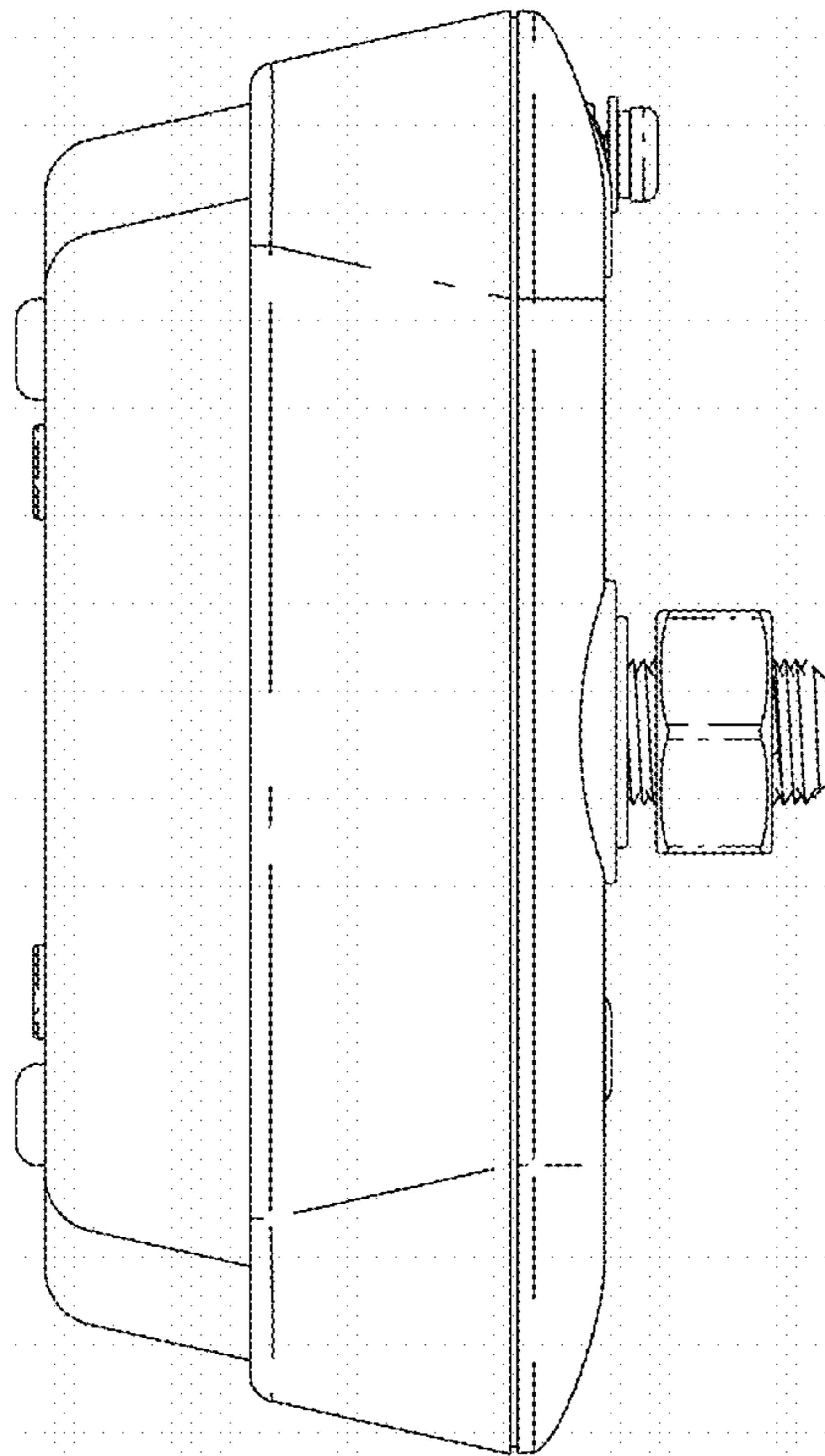


Fig. 4

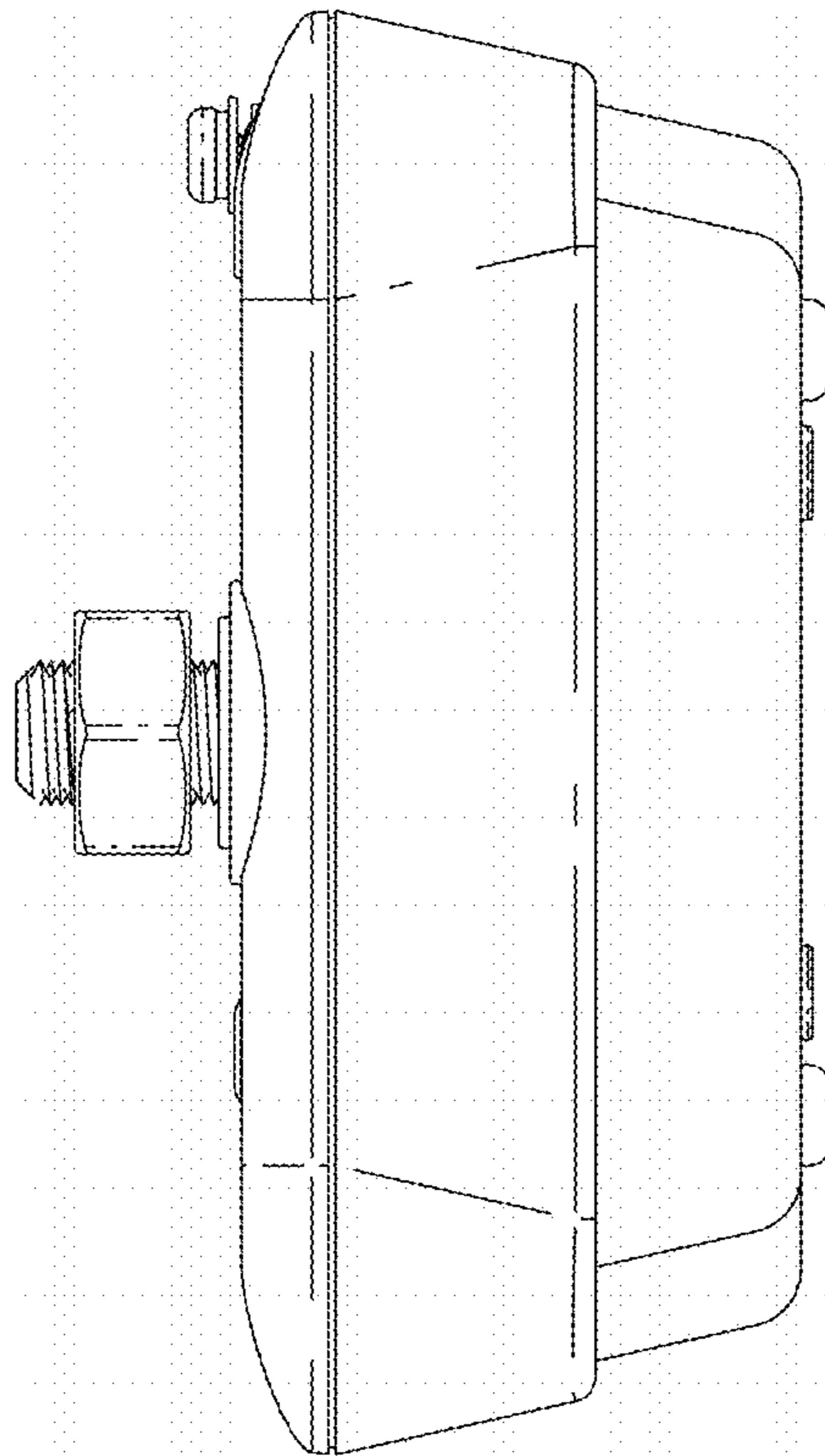


Fig. 5

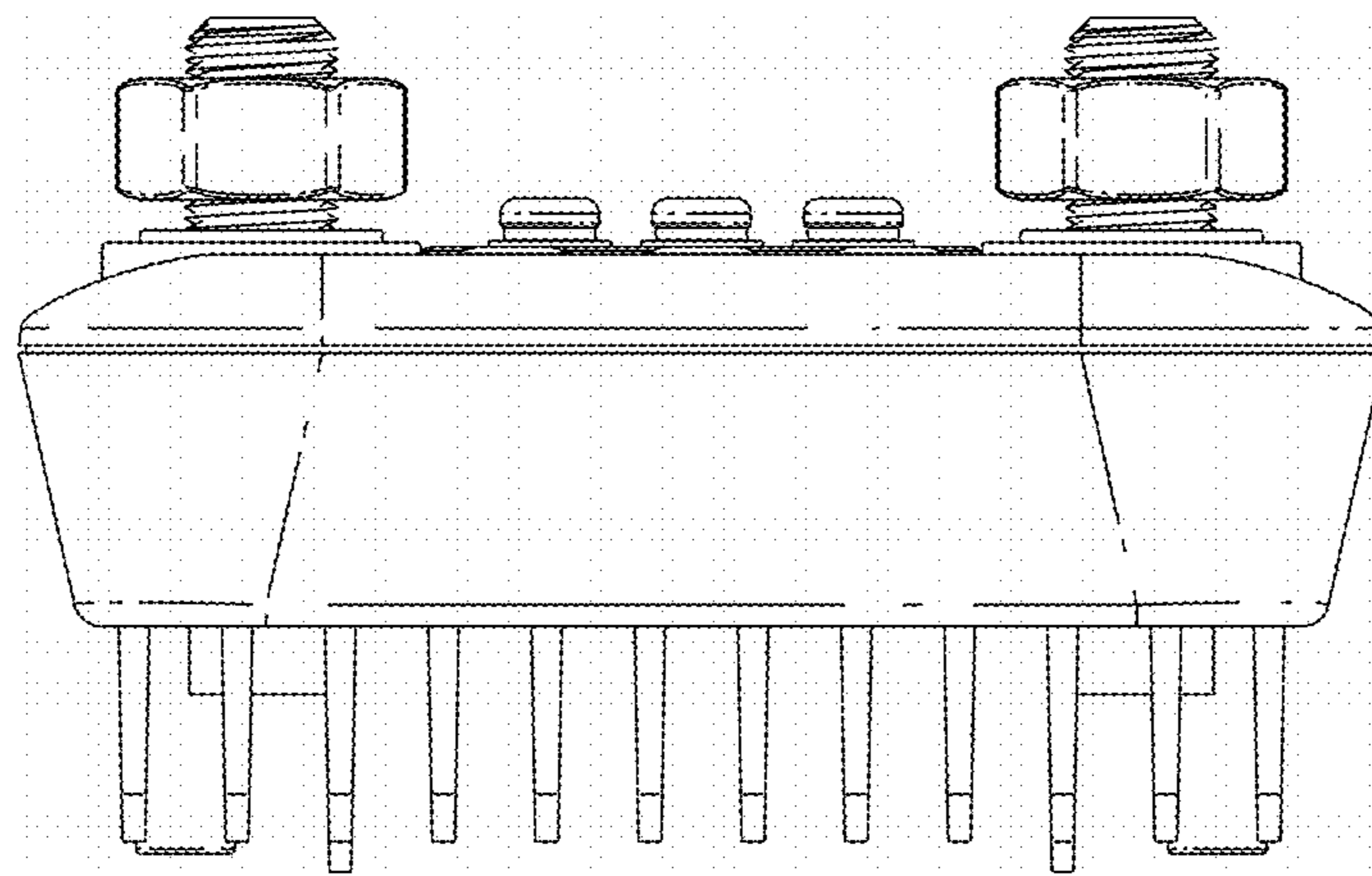


Fig. 6

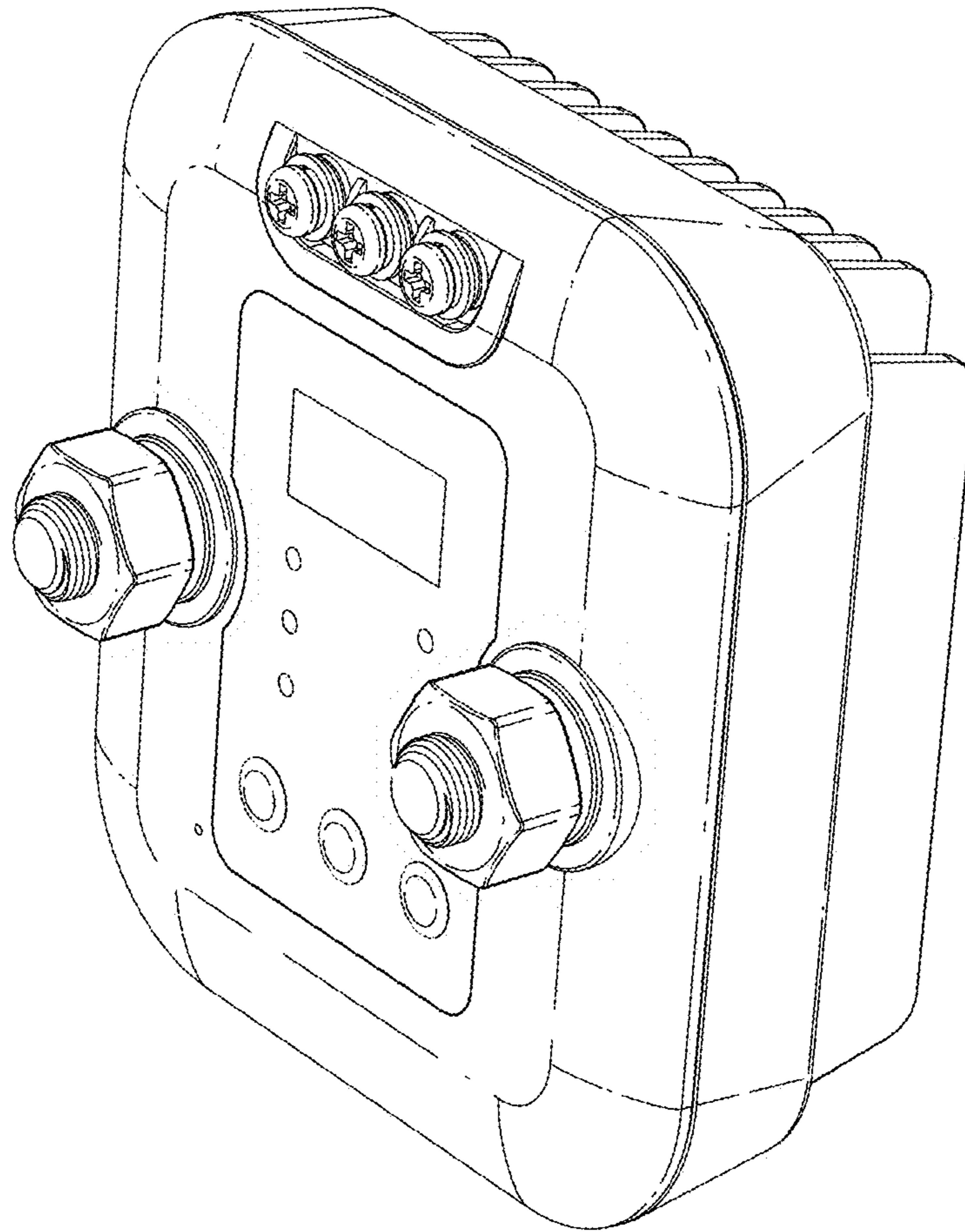


Fig. 7

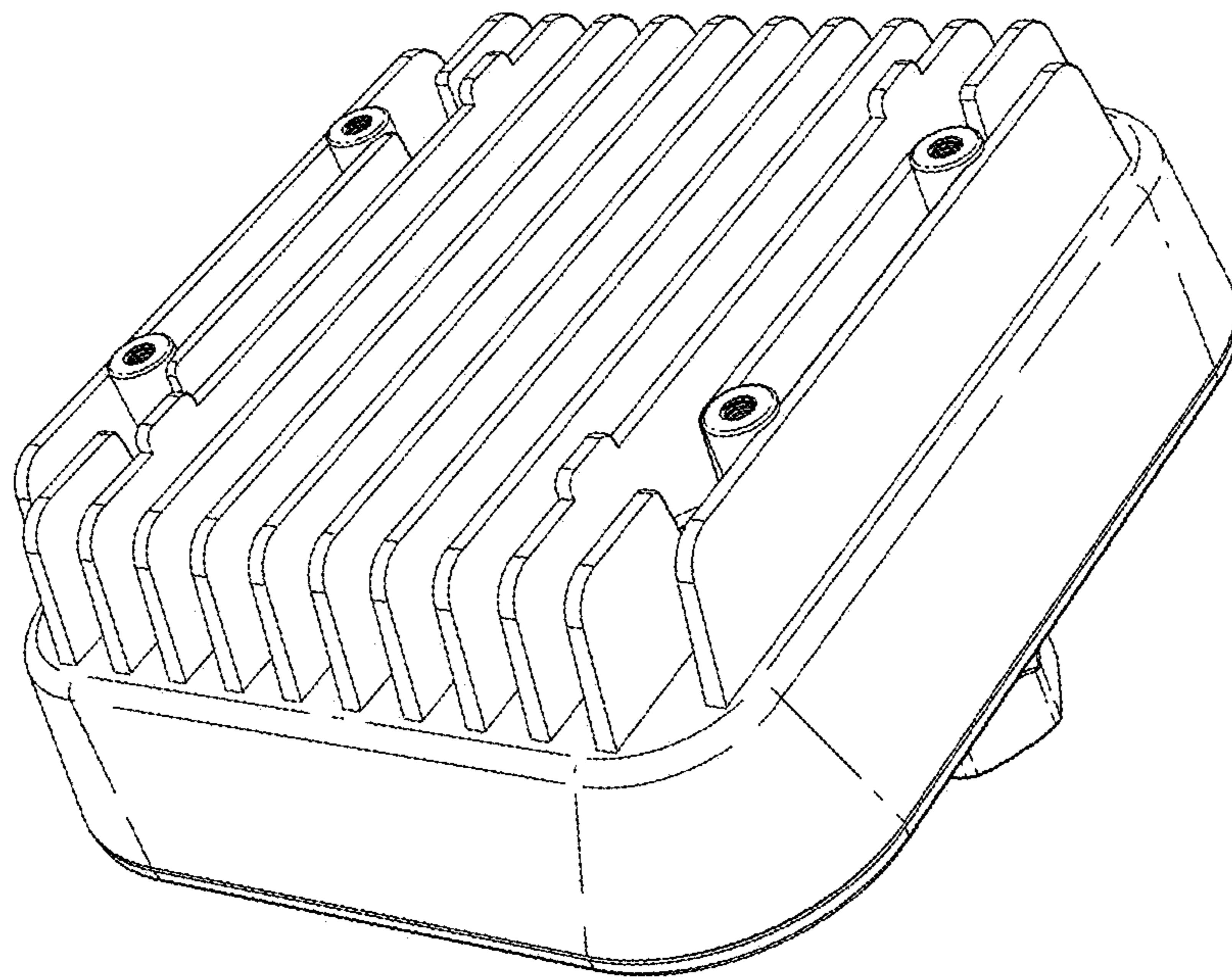


Fig. 8