

US00D900755S

(12) **United States Design Patent** (10) **Patent No.:** **US D900,755 S**
Kurita et al. (45) **Date of Patent:** **** Nov. 3, 2020**

(54) **HOLDER FOR ELECTRICAL CONNECTOR HOUSING**

(71) Applicant: **SUMITOMO WIRING SYSTEMS, LTD.**, Yokkaichi-shi, Mie-ken (JP)

(72) Inventors: **Atsushi Kurita**, Yokkaichi (JP);
Masato Kamemura, Yokkaichi (JP)

(73) Assignee: **SUMITOMO WIRING SYSTEMS, LTD.**, Yokkaichi-Shi, Mie-Ken (JP)

(**) Term: **15 Years**

(21) Appl. No.: **29/698,282**

(22) Filed: **Jul. 16, 2019**

(30) **Foreign Application Priority Data**

Mar. 26, 2019 (JP) 2019-006288

(51) **LOC (12) Cl.** **13-03**

(52) **U.S. Cl.**
USPC **D13/154**

(58) **Field of Classification Search**
USPC D13/133, 146, 147, 153, 154, 155, 172,
D13/184, 156
CPC H01R 13/02; H01R 13/436; H01R 13/502;
H01R 13/506; H01R 13/504; H01R
13/62; H01R 13/64; H01R 13/641; H01R
4/24; H01R 4/48; H01R 12/79

See application file for complete search history.

(56) **References Cited**

U.S. PATENT DOCUMENTS

4,986,766 A * 1/1991 Leonard H01R 13/6272
439/352
D320,383 S * 10/1991 Oka D13/154
D383,380 S * 9/1997 Kempf D13/154

FOREIGN PATENT DOCUMENTS

JP D1620815 S 12/2018

* cited by examiner

Primary Examiner — Karen E Kearney

Assistant Examiner — Michael Chong

(74) *Attorney, Agent, or Firm* — Grogan, Tuccillo & Vanderleeden, LLP

(57) **CLAIM**

The ornamental design for a holder for electrical connector housing, as shown and described.

DESCRIPTION

FIG. 1 is a front, top and left side perspective view of a holder for electrical connector housing showing our new design;

FIG. 2 is a rear, bottom and right side perspective view thereof;

FIG. 3 is a front view thereof; the rear view being a mirror image of FIG. 3;

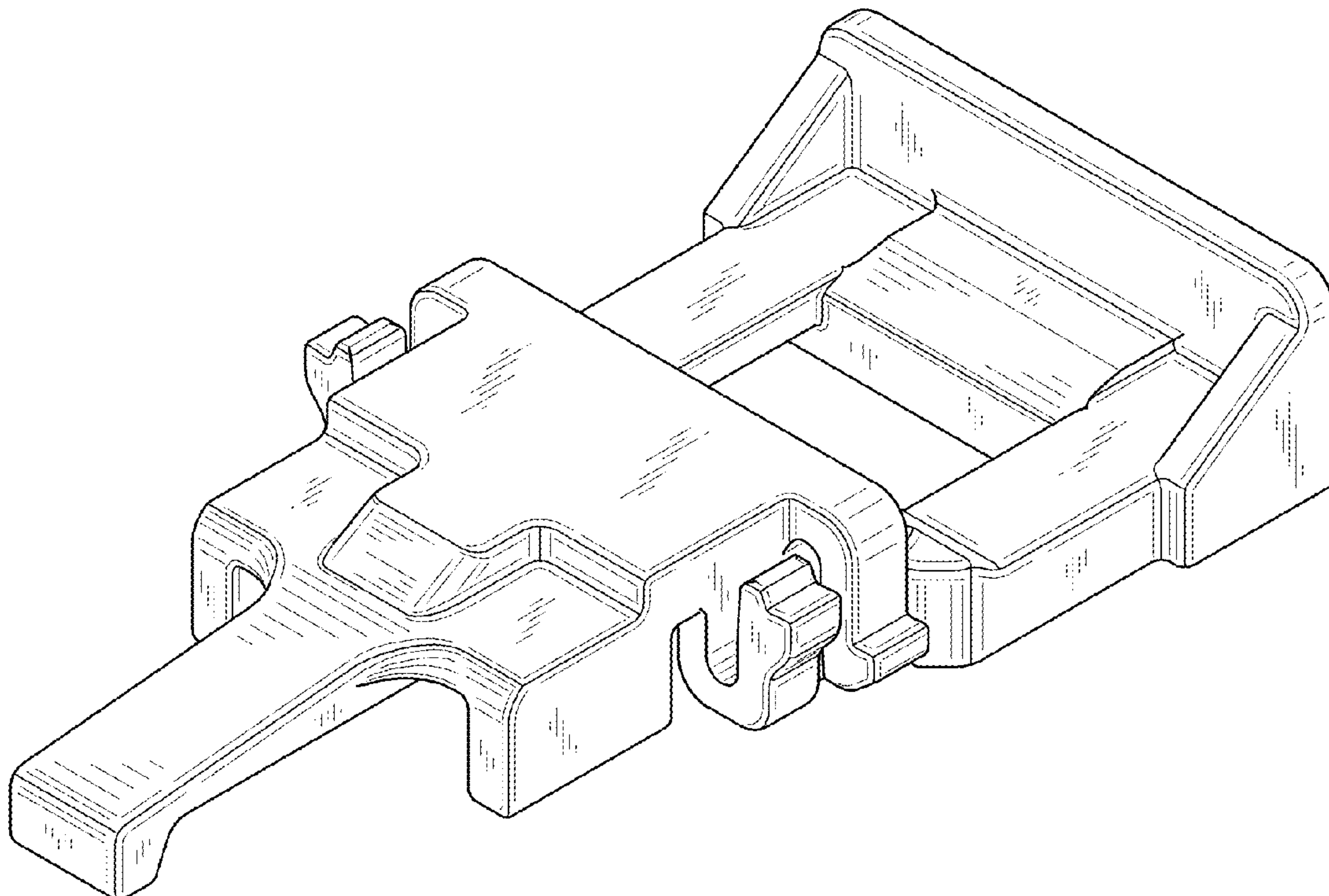
FIG. 4 is a top plan view thereof;

FIG. 5 is a bottom plan view thereof;

FIG. 6 is a right side view thereof; and,

FIG. 7 is a left side view.

1 Claim, 7 Drawing Sheets



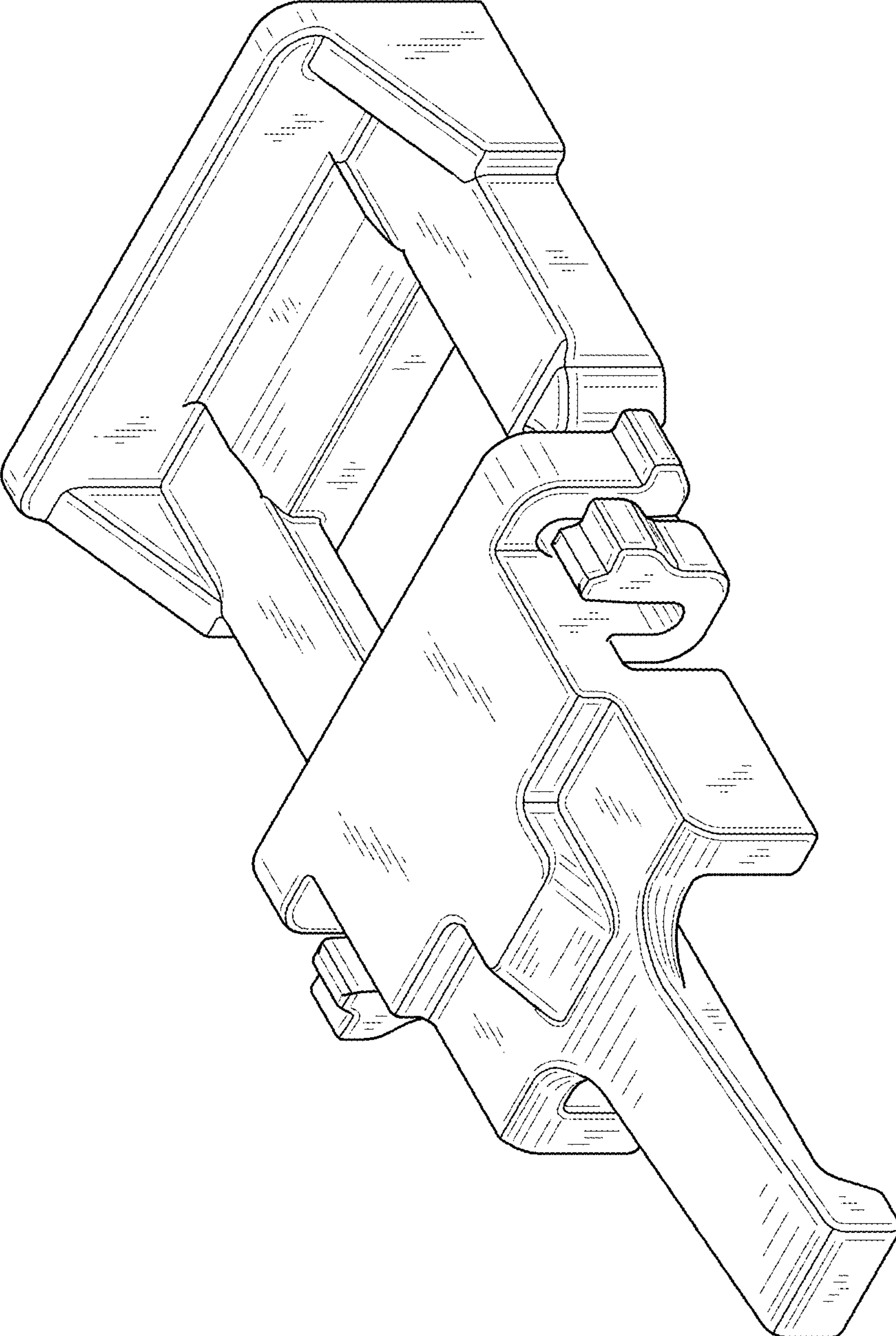


FIG.1

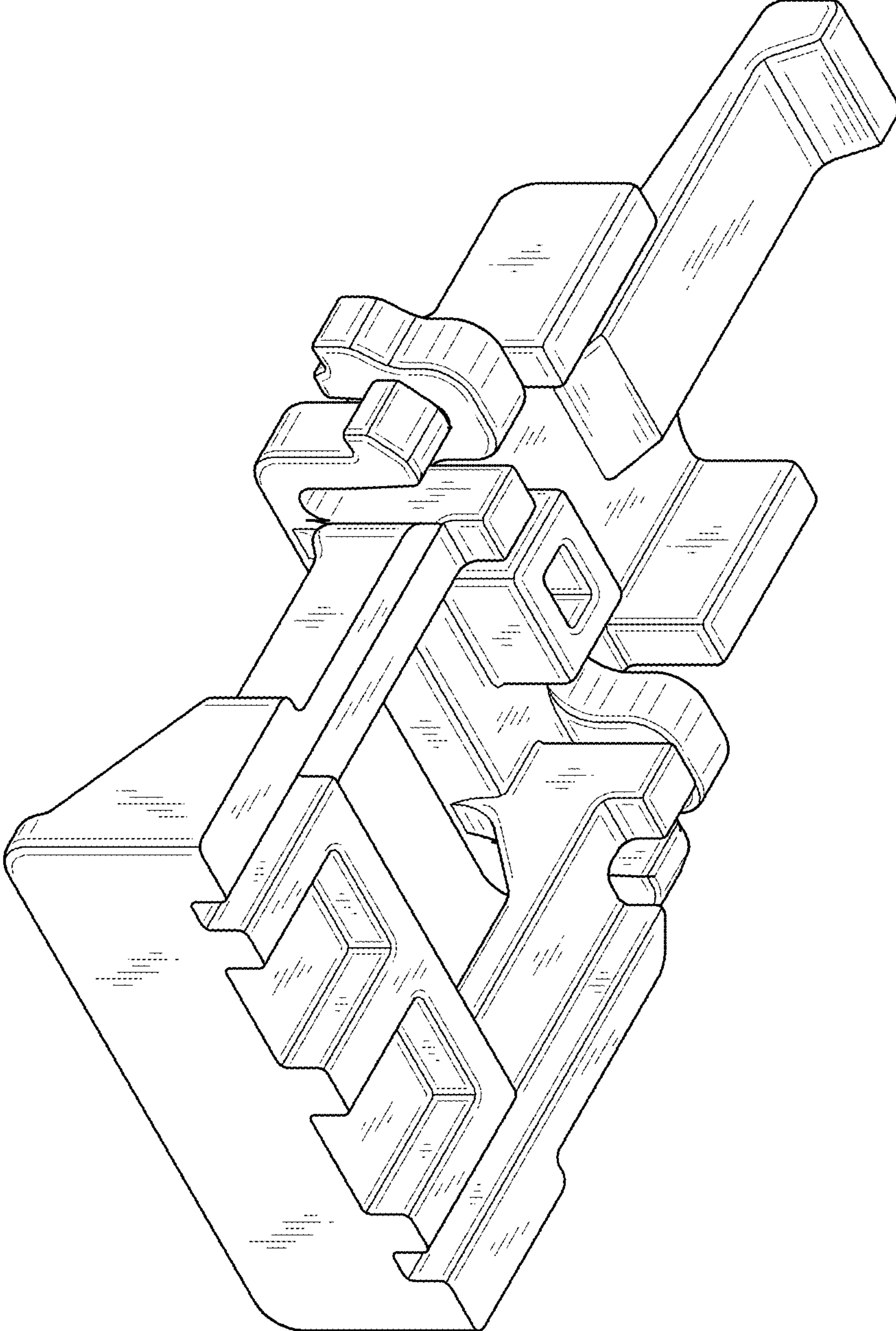


FIG.2

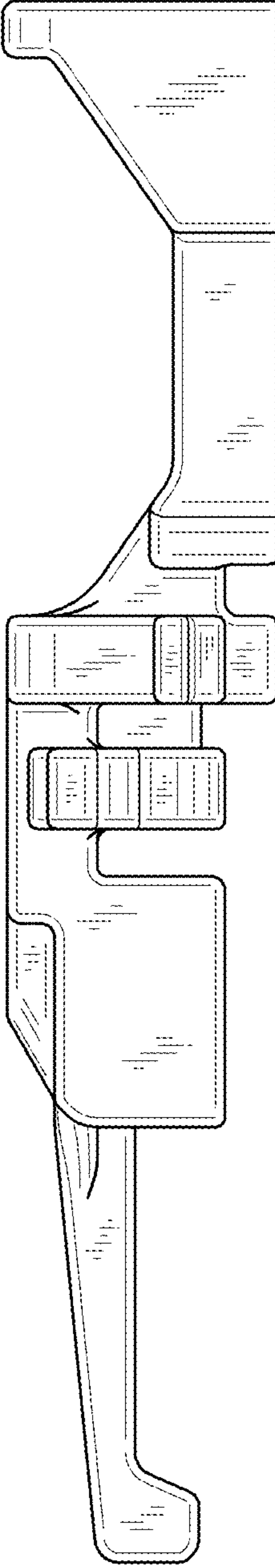


FIG. 3

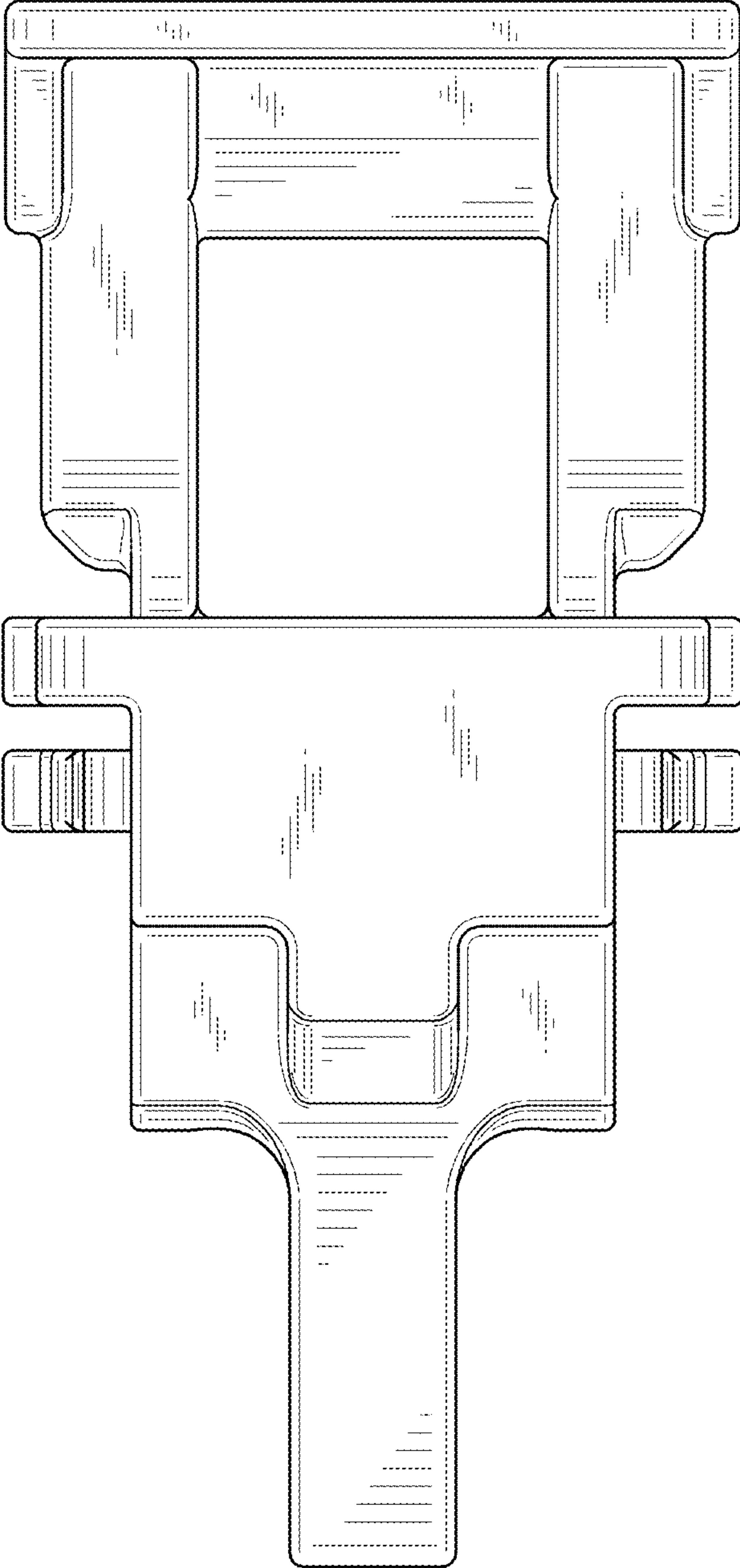


FIG.4

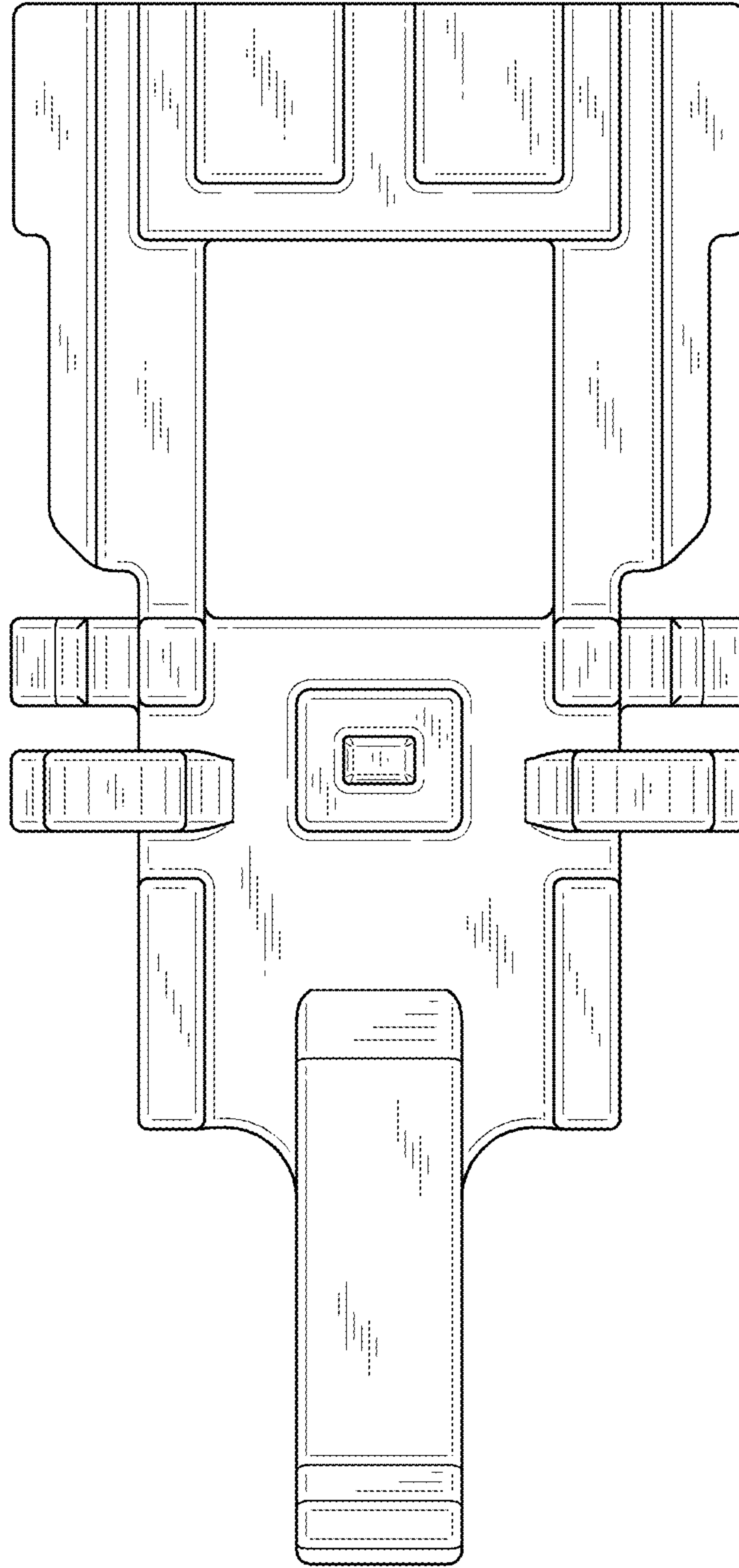
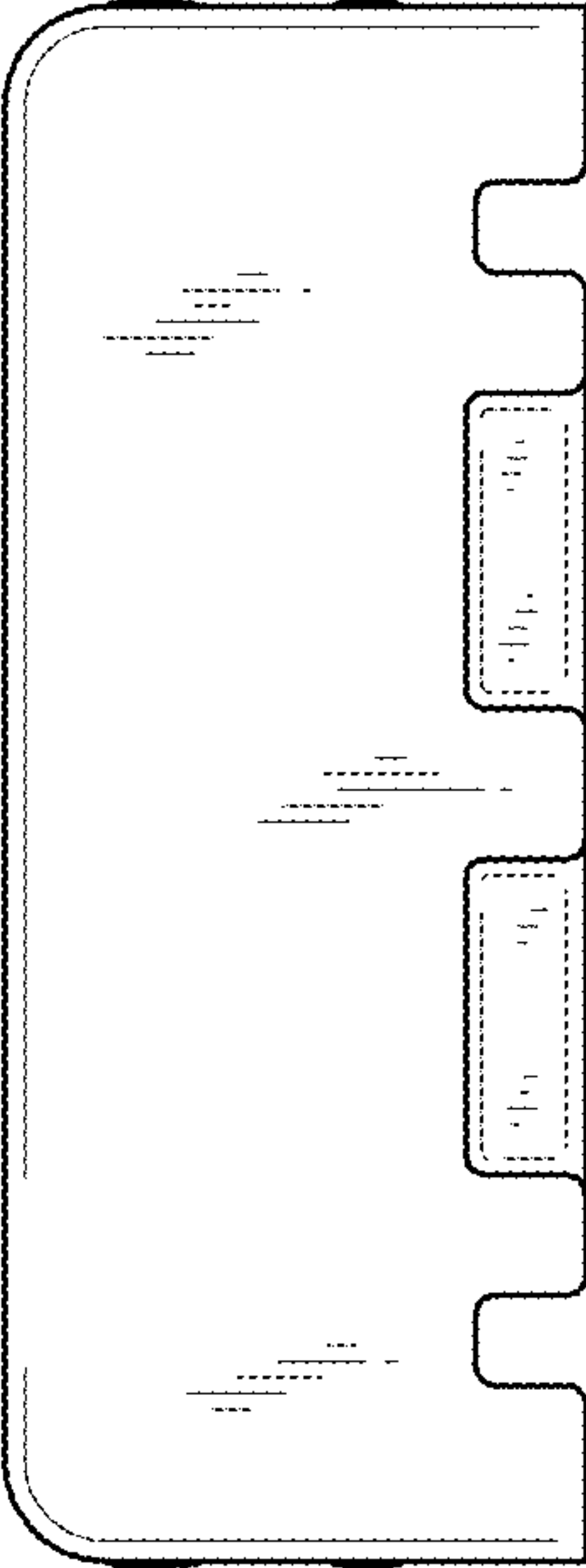


FIG. 5

FIG.6



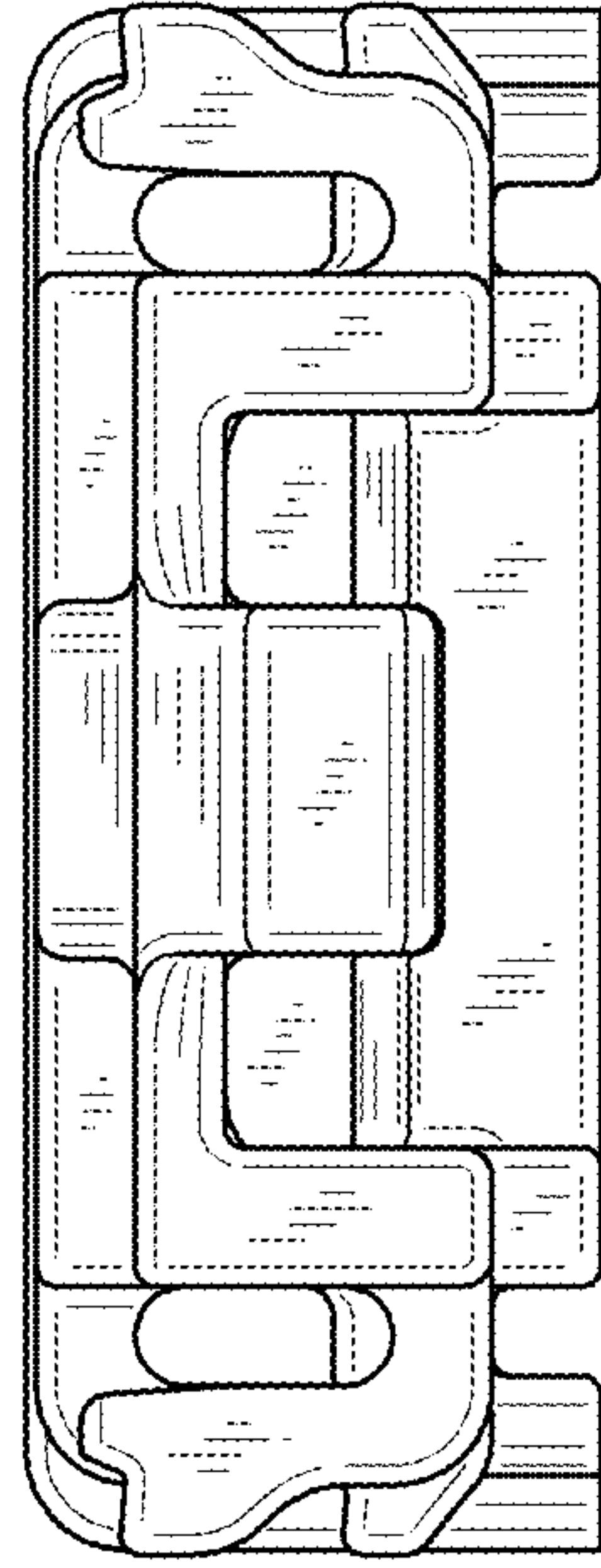


FIG.7