

US00D900754S

(12) **United States Design Patent** (10) **Patent No.:** **US D900,754 S**
Fu (45) **Date of Patent:** **** Nov. 3, 2020**

(54) **DATA TRANSMISSION CABLE**
(71) Applicant: **Liqiang Fu**, Shenzhen (CN)
(72) Inventor: **Liqiang Fu**, Shenzhen (CN)
(**) Term: **15 Years**
(21) Appl. No.: **29/659,782**
(22) Filed: **Aug. 13, 2018**
(51) **LOC (12) Cl.** **13-03**
(52) **U.S. Cl.**
USPC **D13/153**
(58) **Field of Classification Search**
USPC D13/153, 147; D14/433, 435.1
CPC H01R 24/60; H01R 13/03
See application file for complete search history.

D813,819 S * 3/2018 Esses D13/147
9,935,408 B1 * 4/2018 Pathak H01R 24/60
D817,889 S * 5/2018 Akana D13/147
D823,812 S * 7/2018 Hsieh D13/153
D832,263 S * 10/2018 Chen D14/433
D832,793 S * 11/2018 Vandiver D13/153
D843,375 S * 3/2019 Claudepierre D14/433
D843,948 S * 3/2019 Akana D13/147
D851,047 S * 6/2019 Zhang D13/153
D864,963 S * 10/2019 Luo D14/433
2013/0084760 A1 * 4/2013 Siahaan H01R 13/03
439/887

* cited by examiner

Primary Examiner — Rhea Shields

(57) **CLAIM**

The ornamental design for a data transmission cable, as shown and described.

DESCRIPTION

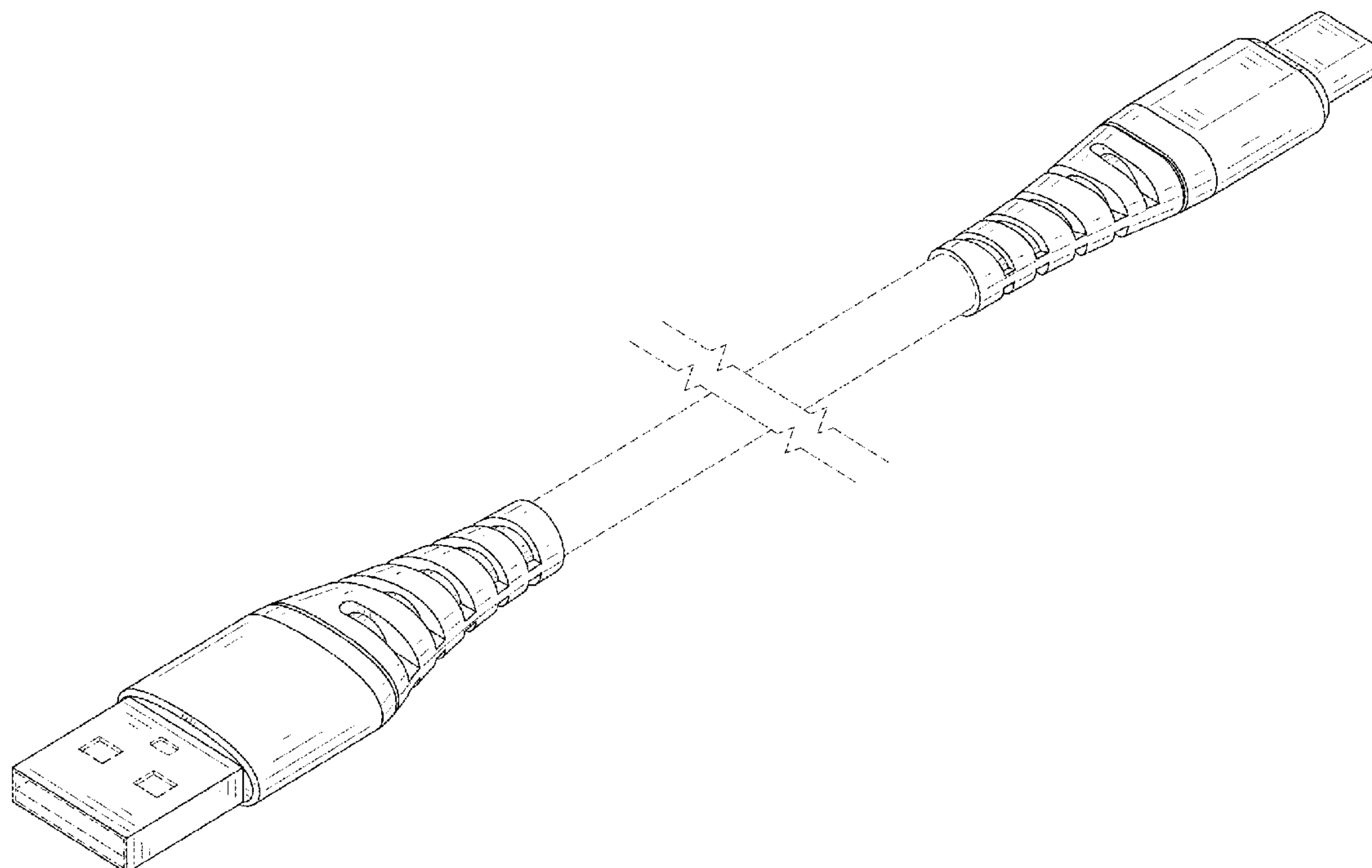
FIG. 1 is a perspective view of the data transmission cable showing my new design;
FIG. 2 is a front elevational view thereof;
FIG. 3 is a rear elevational view thereof;
FIG. 4 is a left side elevational view thereof;
FIG. 5 is a right side elevational view thereof;
FIG. 6 is a top plan view thereof; and,
FIG. 7 is a bottom plan view thereof.
In the drawings, the broken lines are for the purpose of illustrating portions of the data transmission cable that form no part of the claimed design. The data transmission cable is shown with a symbolic break in its length. The appearance of any portion of the article between the break lines forms no part of the claimed design.

1 Claim, 7 Drawing Sheets

(56) **References Cited**

U.S. PATENT DOCUMENTS

D450,041 S * 11/2001 Nakashima D13/153
D636,337 S * 4/2011 Smith D13/147
D692,390 S * 10/2013 Smith D13/153
D699,188 S * 2/2014 Akana D13/147
D705,175 S * 5/2014 Chu D13/147
D716,235 S * 10/2014 Tien D13/147
D726,118 S * 4/2015 Petrick D13/147
D733,658 S * 7/2015 Yang D13/147
D743,965 S * 11/2015 Laffon de Mazieres D14/433
D744,428 S * 12/2015 Rodriguez D13/147
D760,720 S * 7/2016 Laffon de Mazieres D14/433
D779,492 S * 2/2017 Lin D14/433
D783,620 S * 4/2017 Uggla D14/435.1
D784,931 S * 4/2017 Fries D13/153
D793,344 S * 8/2017 Wang D13/153
D795,816 S * 8/2017 He D13/153
D810,748 S * 2/2018 Zhang D14/433



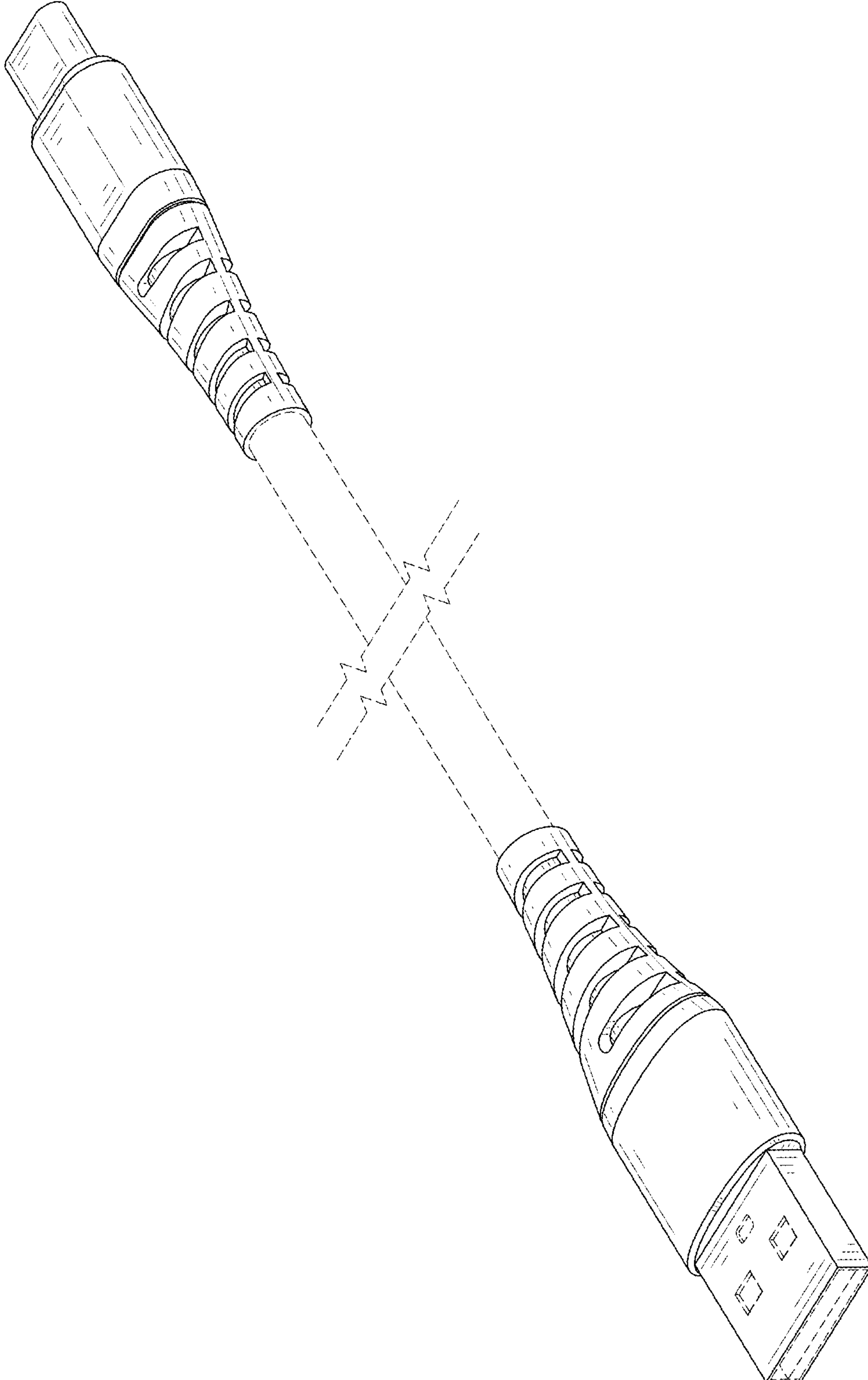


FIG. 1

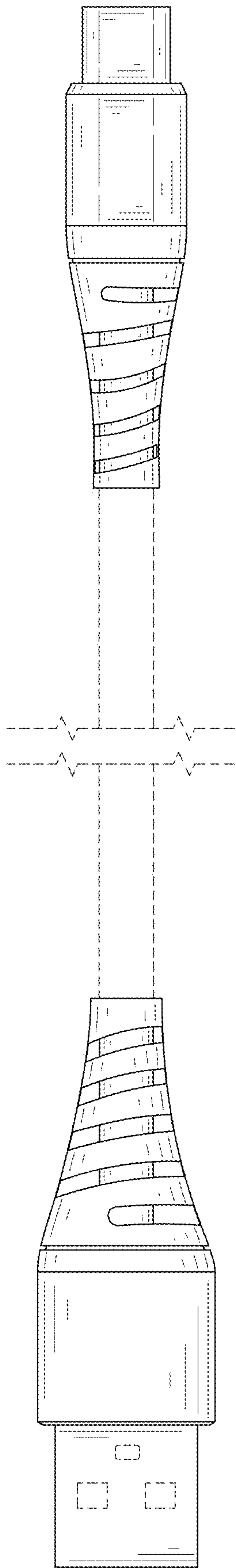


FIG. 2

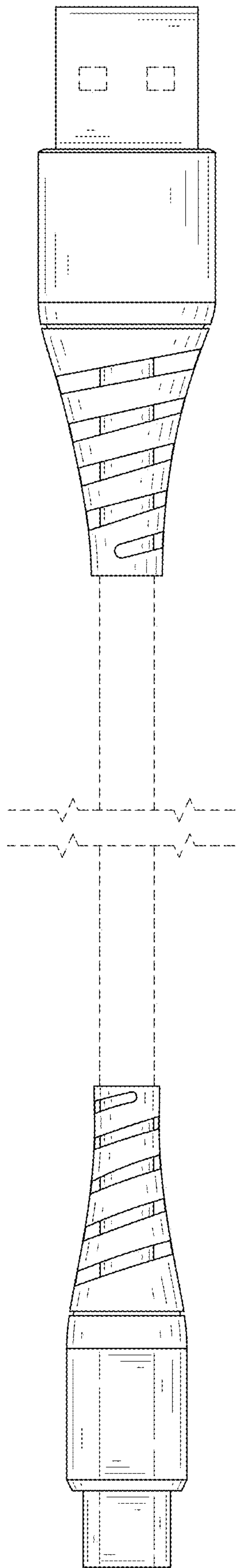


FIG. 3

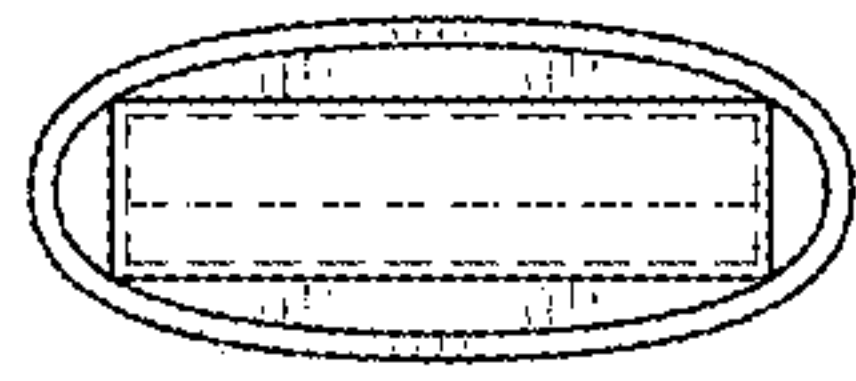


FIG. 4

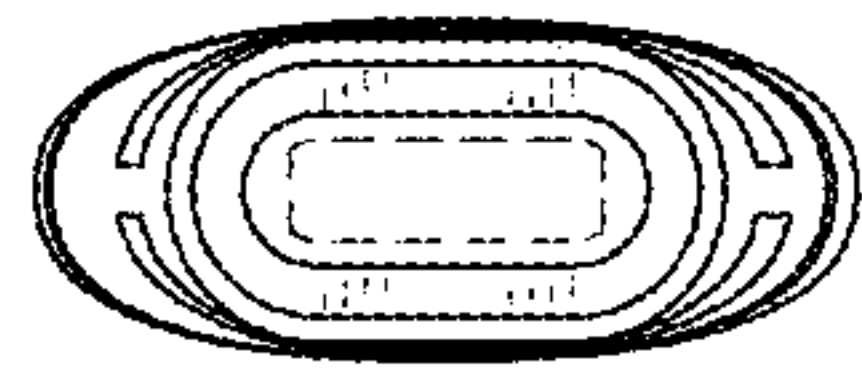


FIG. 5

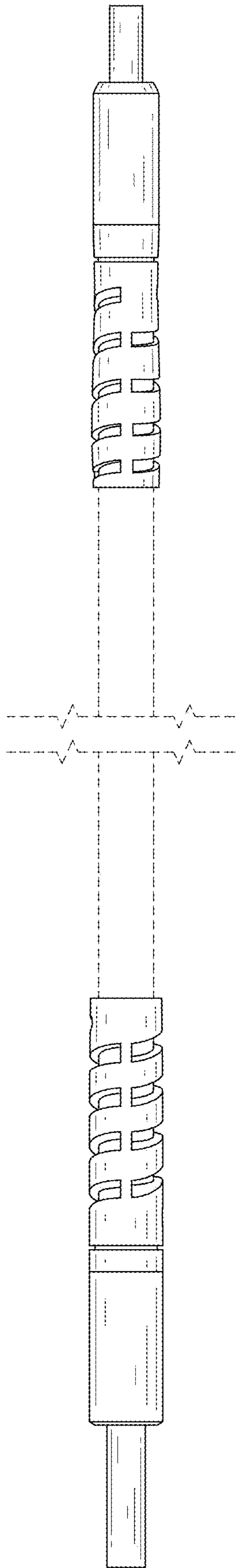


FIG. 6

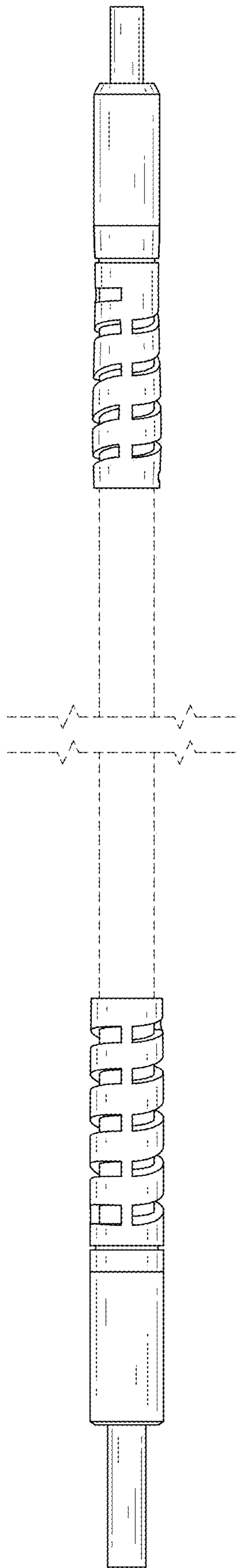


FIG. 7