



US00D900753S

(12) **United States Design Patent** (10) **Patent No.:** **US D900,753 S**  
**Davison, Jr.** (45) **Date of Patent:** **\*\* Nov. 3, 2020**

(54) **COAXIAL COMPRESSION CONNECTOR**

(71) Applicant: **PerfectVision Manufacturing, Inc.**,  
Little Rock, AR (US)

(72) Inventor: **Charles Darwin Davison, Jr.**, Little  
Rock, AR (US)

(\*\*) Term: **15 Years**

(21) Appl. No.: **29/673,237**

(22) Filed: **Dec. 13, 2018**

(51) **LOC (12) Cl.** ..... **13-03**

(52) **U.S. Cl.**  
USPC ..... **D13/149**; D13/151

(58) **Field of Classification Search**  
USPC ..... D13/110, 118, 120, 123, 133, 146, 147,  
D13/149, 151, 154, 173, 184, 199  
CPC ... G02B 6/00; G02B 6/38; H01R 9/00; H01R  
9/05; H01R 9/0518; H01R 9/0521; H01R  
13/52; H01R 13/62; H01R 24/00  
See application file for complete search history.

(56) **References Cited**

**U.S. PATENT DOCUMENTS**

D546,665 S *	7/2007	Medlin	.....	D8/382
D574,783 S *	8/2008	Chawgo	.....	D13/133
D608,294 S *	1/2010	Shaw	.....	D13/133
D610,999 S *	3/2010	Purdy	.....	D13/151
D661,256 S *	6/2012	Shawgo	.....	D13/151
D662,061 S *	6/2012	Eriksen	.....	D13/151
D699,685 S *	2/2014	Hanson	.....	D13/151
D741,801 S *	10/2015	Davidson, Jr.	.....	D13/133
D741,802 S *	10/2015	Davidson, Jr.	.....	D13/133
D741,804 S *	10/2015	Davidson, Jr.	.....	D13/133
D741,805 S *	10/2015	Davidson, Jr.	.....	D13/133
D838,248 S *	1/2019	Youtsey	.....	D13/151
D838,675 S *	1/2019	Edmonds	.....	D13/154
2008/0064259 A1 *	3/2008	Amidon	.....	H01R 9/0518 439/578
2011/0065317 A1 *	3/2011	Shaw	.....	H01R 9/0524 439/578

2011/0117775 A1 *	5/2011	Alrutz	.....	H01R 9/0521 439/578
2011/0269340 A1 *	11/2011	Lazenby	.....	B25B 7/04 439/578
2012/0083154 A1 *	4/2012	Thomas	.....	H01R 9/0521 439/585
2013/0059468 A1 *	3/2013	Wood	.....	H01R 9/05 439/584

(Continued)

**OTHER PUBLICATIONS**

Klein Tools F Compression Connector RG6, dated Aug. 8, 2013, [online], [site visited Nov. 8, 2019]. Available from Internet, URL: [https://www.homedepot.com/p/Klein-Tools-F-Compression-Connector-RG6-for-Above-Ground-Outdoor-Use-10-Pack-VDV812-623/203579036?MERCCH=REC-\\_-pipsem-\\_-202309350-\\_-203579036-\\_-N](https://www.homedepot.com/p/Klein-Tools-F-Compression-Connector-RG6-for-Above-Ground-Outdoor-Use-10-Pack-VDV812-623/203579036?MERCCH=REC-_-pipsem-_-202309350-_-203579036-_-N) (Year: 2013).\*

(Continued)

*Primary Examiner* — Angela J Lee  
*Assistant Examiner* — Shawn T Gingrich  
(74) *Attorney, Agent, or Firm* — David Gershner

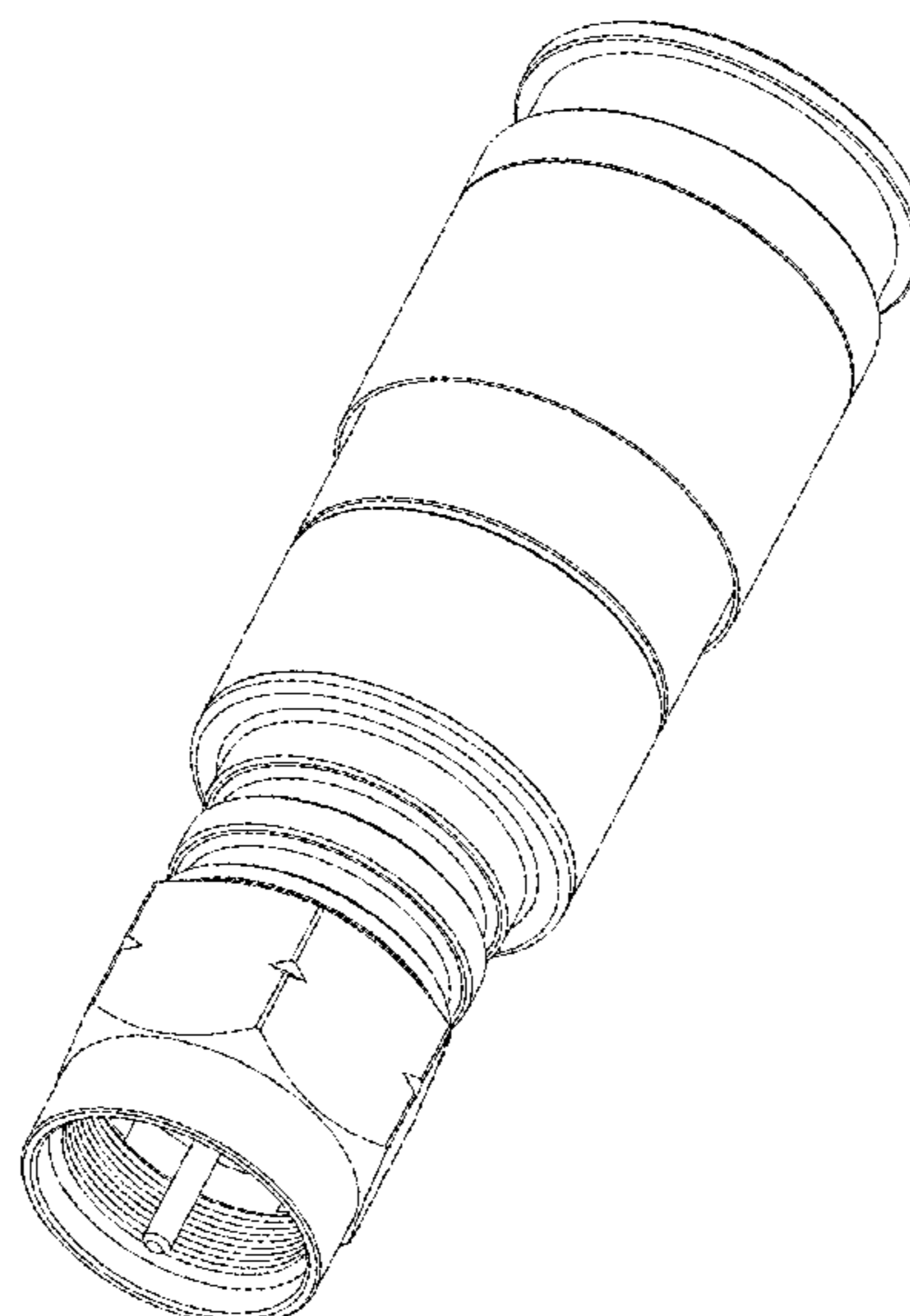
(57) **CLAIM**

The ornamental design for a coaxial compression connector, as shown and described.

**DESCRIPTION**

FIG. 1 is a top, side, and front perspective view of a coaxial compression connector showing the front, top, and left of my new design;  
FIG. 2 is a top plan view thereof;  
FIG. 3 is a bottom view thereof;  
FIG. 4 is a front, end view thereof; and,  
FIG. 5 is a rear, end view thereof.  
The broken line portions of the figure drawings are included to show portions of the coaxial compression connector that form no part of the claimed design.

**1 Claim, 3 Drawing Sheets**



(56)

**References Cited**

U.S. PATENT DOCUMENTS

2013/0164975 A1\* 6/2013 Blake ..... H01R 9/05  
439/578  
2014/0051285 A1\* 2/2014 Raley ..... H01R 13/6581  
439/583  
2015/0229044 A1\* 8/2015 Youtsey ..... H01R 9/0524  
439/584  
2017/0104280 A1\* 4/2017 Edmonds ..... H01R 9/0518  
2019/0363464 A1\* 11/2019 Chastain ..... H01R 9/0521

OTHER PUBLICATIONS

Cablesupply.com F Type Coaxial Compression Connector, dated Jul. 7, 2017, [online], [site visited Nov. 8, 2019]. Available from Internet, URL: <https://cablesupply.com/f-type-coaxial-compression-connector-10-pack/> (Year: 2017).\*

\* cited by examiner

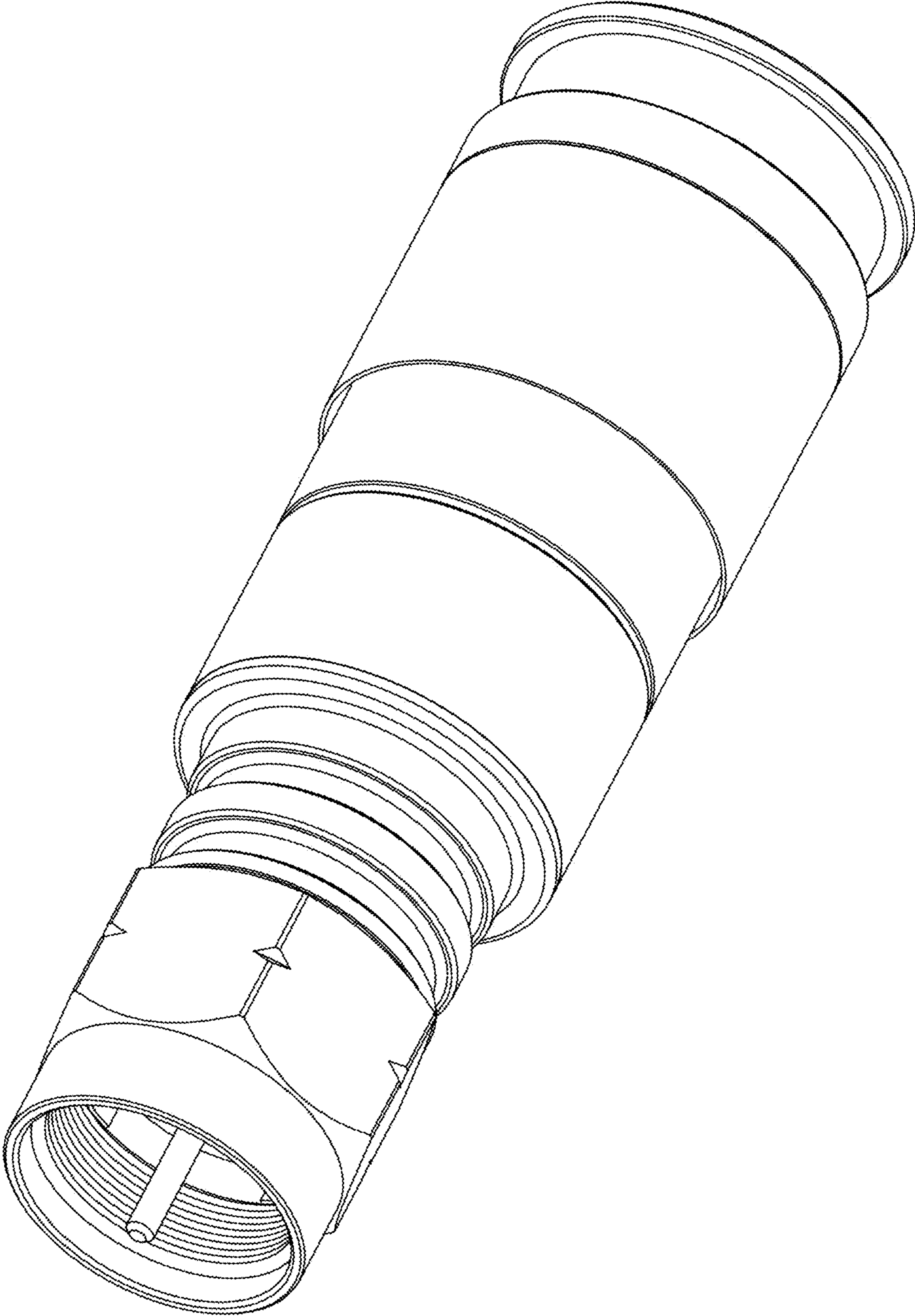


FIG. 1

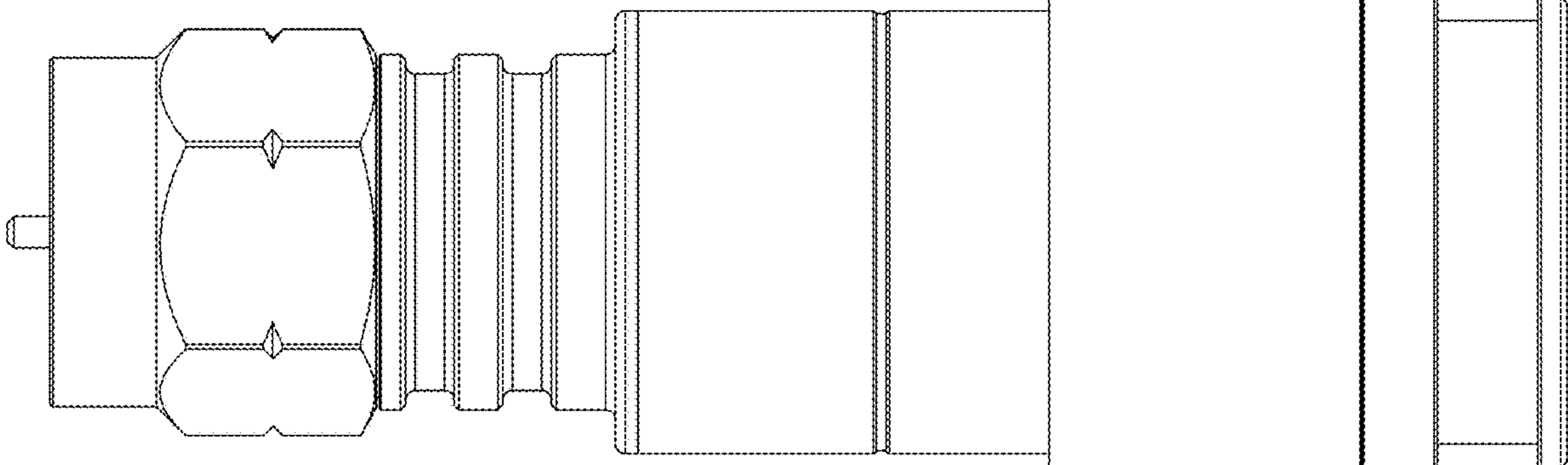


FIG. 2

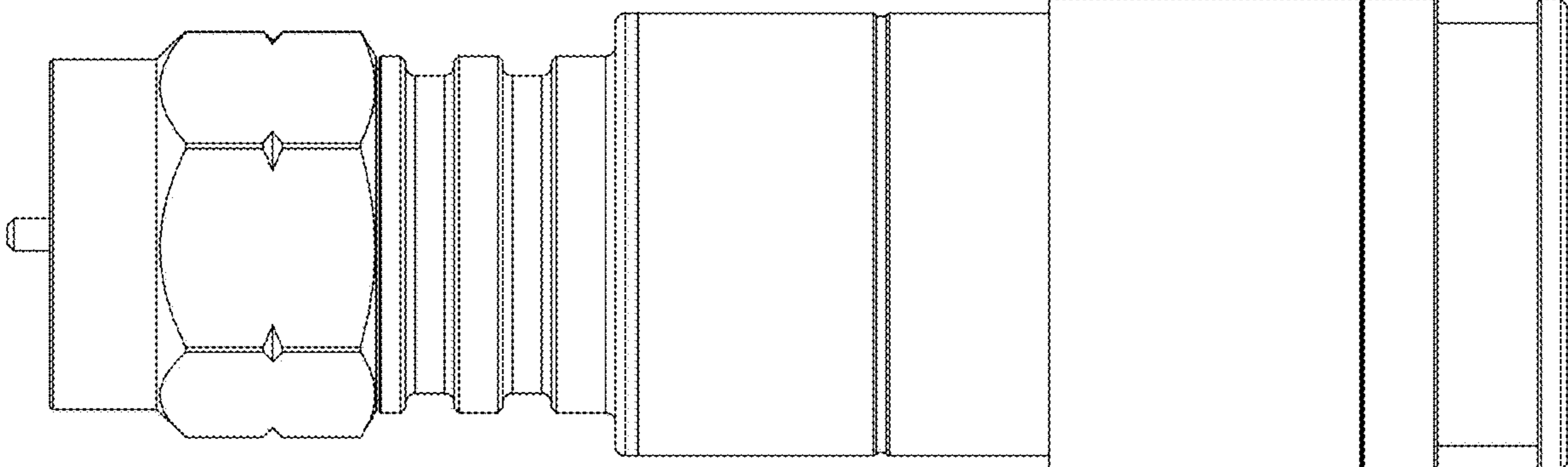


FIG. 3

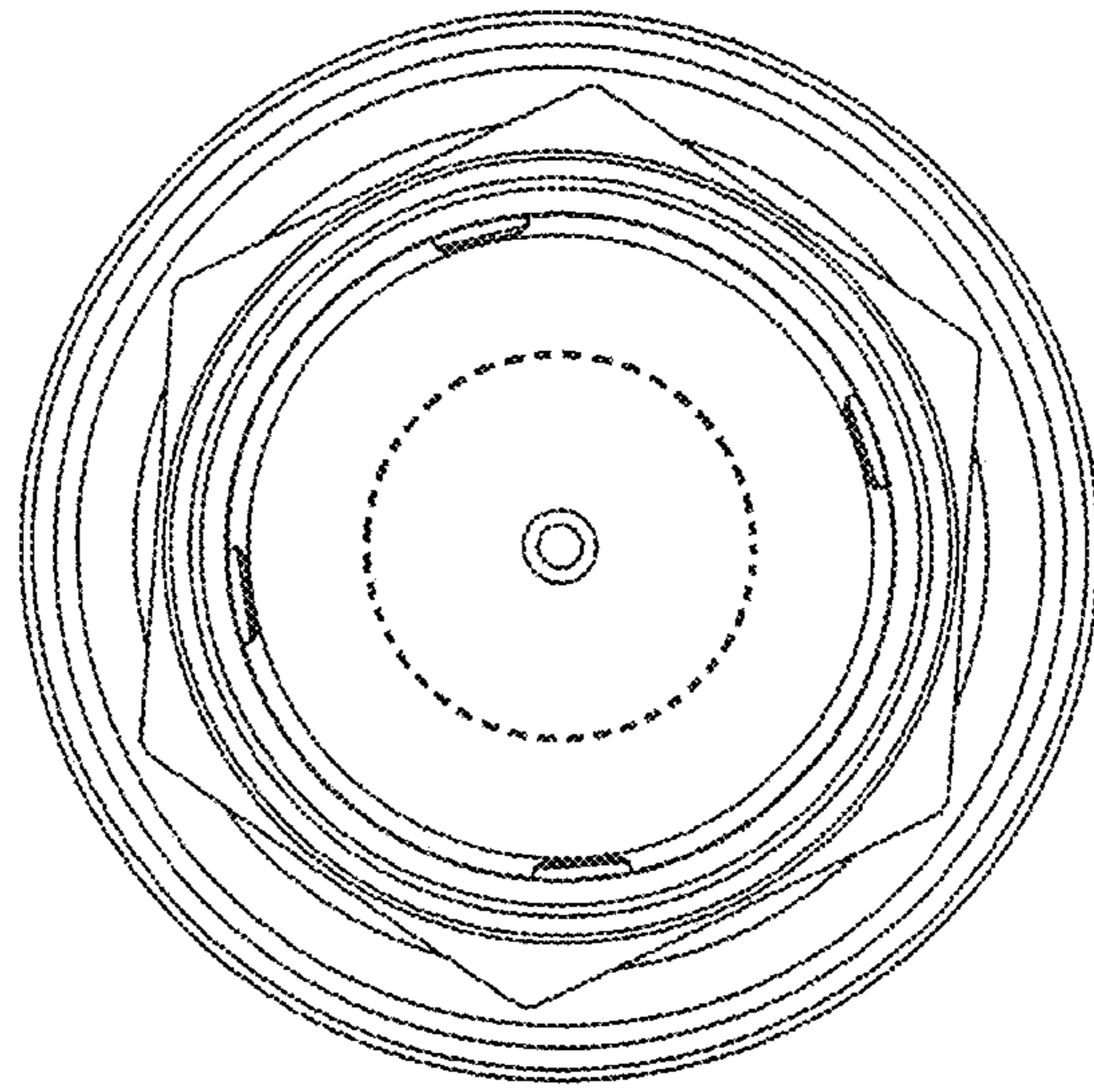


FIG. 4

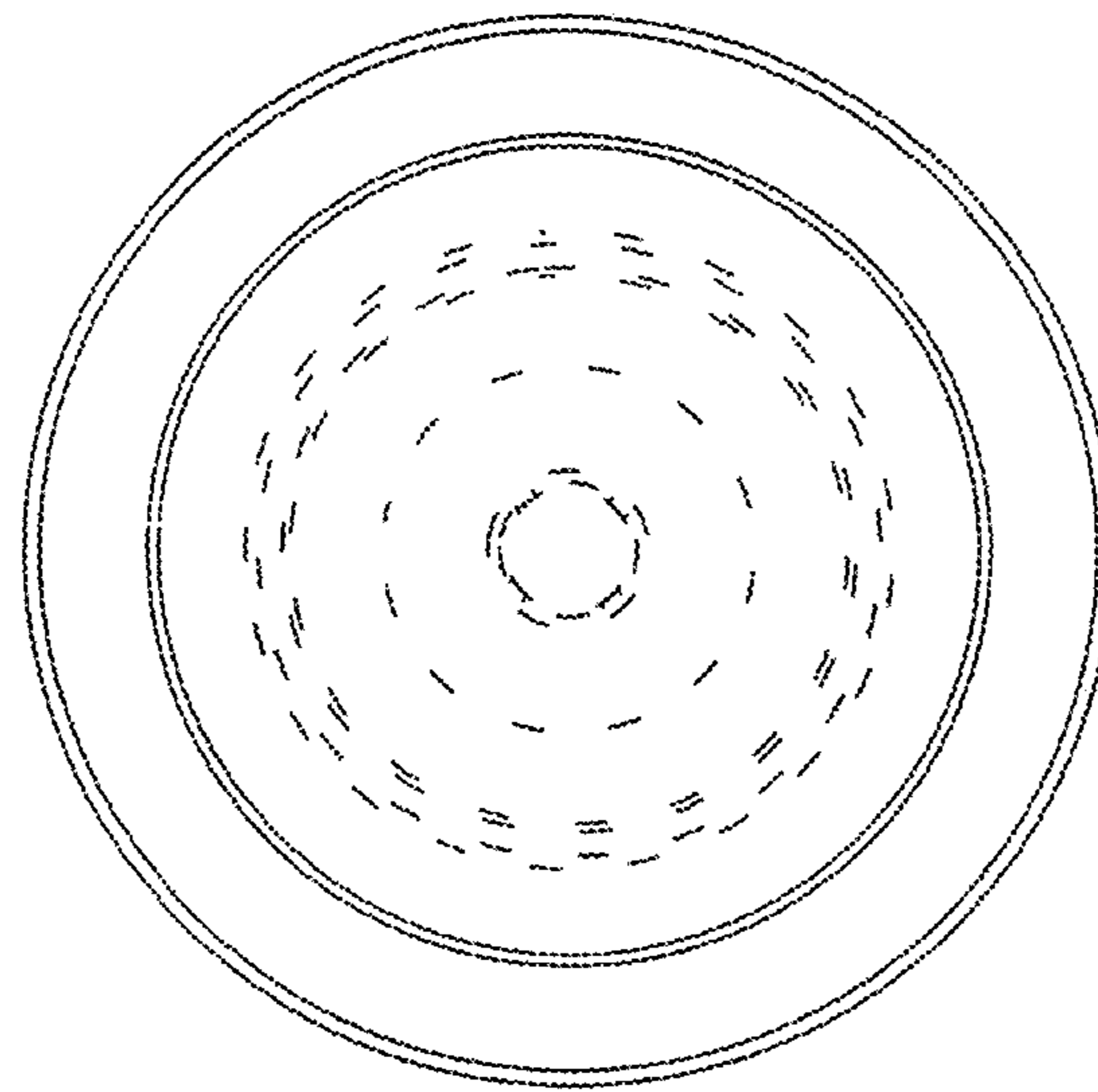


FIG. 5