



US00D900751S

(12) **United States Design Patent**  
**Smajda**

(10) **Patent No.:** **US D900,751 S**

(45) **Date of Patent:** **\*\* Nov. 3, 2020**

(54) **POWER CONNECTOR**

(71) Applicant: **Westinghouse Air Brake Technologies Corporation**, Wilmerding, PA (US)

(72) Inventor: **Kenneth J. Smajda**, Elkridge, MD (US)

(73) Assignee: **WESTINGHOUSE AIR BRAKE TECHNOLOGIES CORPORATION**, Wilmerding, PA (US)

(\*\*) Term: **15 Years**

(21) Appl. No.: **29/657,889**

(22) Filed: **Jul. 26, 2018**

**Related U.S. Application Data**

(62) Division of application No. 29/562,121, filed on Apr. 22, 2016, now Pat. No. Des. 833,978.

(51) **LOC (12) Cl.** ..... **13-03**

(52) **U.S. Cl.**  
USPC ..... **D13/146**

(58) **Field of Classification Search**  
USPC ..... D13/103, 107, 108, 110, 112, 118, 120, D13/123, 133, 137.1, 145-147, 149-156, D13/158, 173, 177, 184, 199, 242; D14/240, 242, 433, 434, 435.1, 438; D26/129  
CPC ..... H01R 13/627; H01R 13/623; H01R 13/6278; B61G 5/10  
See application file for complete search history.

(56) **References Cited**

**U.S. PATENT DOCUMENTS**

2,933,711 A	4/1960	Eaton
3,271,726 A	9/1966	Pfendler
3,680,033 A	7/1972	Kawai
3,971,614 A	7/1976	Paoli et al.
D243,407 S	2/1977	Mooney et al.

4,457,572 A	7/1984	Frazier et al.
4,472,013 A	9/1984	Frear
4,497,530 A	2/1985	Shannon
4,595,251 A	6/1986	Moulin
4,629,272 A	12/1986	Mattingly et al.
4,639,064 A	1/1987	Knapp et al.
5,082,454 A	1/1992	Tonkiss et al.

(Continued)

**FOREIGN PATENT DOCUMENTS**

EP	1050931 A1	11/2000
KR	1020140062930 A	5/2014

**OTHER PUBLICATIONS**

Wabtec. Locomotive Market Products. No date specified. <https://www.wabtec.com/markets/freight-segment-locomotive-market/products?page=7> (Year: 0).\*

(Continued)

*Primary Examiner* — Darcey E Gottschalk

(74) *Attorney, Agent, or Firm* — The Small Patent Law Group LLC; Philip S. Hof

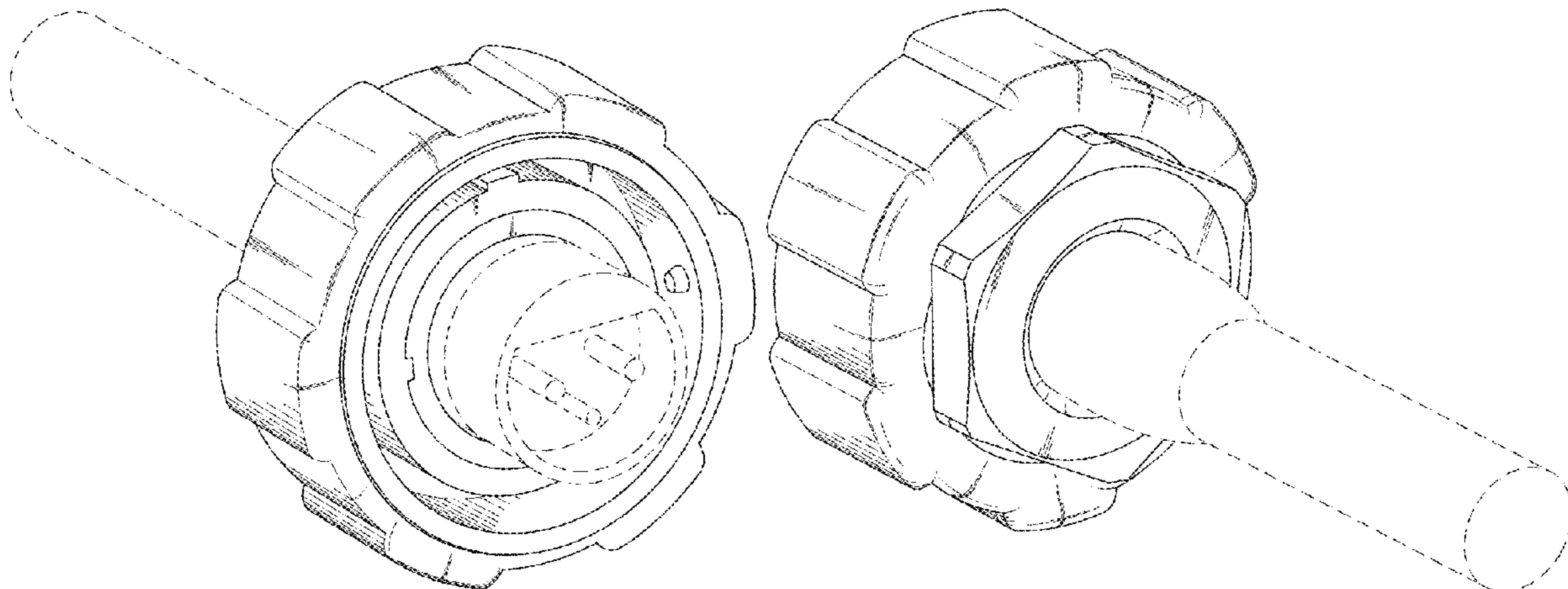
(57) **CLAIM**

The ornamental design for a power connector, as shown and described.

**DESCRIPTION**

FIG. 1 is a rear perspective view of a power connector showing my new design;  
FIG. 2 is a rear perspective view thereof;  
FIG. 3 is a front elevation view thereof;  
FIG. 4 is a rear elevation view thereof;  
FIG. 5 is a top view thereof;  
FIG. 6 is a bottom view thereof;  
FIG. 7 is a right side elevation view thereof; and,  
FIG. 8 is a left side elevation view thereof.  
The broken line showings of FIGS. 1-8 are environmental only and not part of the claimed design.

**1 Claim, 5 Drawing Sheets**



(56)

References Cited

U.S. PATENT DOCUMENTS

5,131,862 A 7/1992 Gershfeld  
 5,192,219 A 3/1993 Fowler et al.  
 D336,070 S 6/1993 Clark  
 5,658,159 A 8/1997 Gardner et al.  
 D406,816 S 3/1999 Hopper et al.  
 6,173,849 B1 1/2001 Stevens et al.  
 6,602,093 B1 8/2003 Cannon  
 6,669,506 B2 12/2003 Newton  
 6,808,407 B1 10/2004 Cannon  
 6,848,931 B2 2/2005 McMullen et al.  
 6,908,118 B2 6/2005 Fumioka  
 7,097,490 B2 8/2006 Eaton et al.  
 D580,876 S 11/2008 Farahani  
 7,587,244 B2 9/2009 Olbertz  
 7,748,986 B1 7/2010 Pamapy et al.  
 D633,872 S 3/2011 Shen et al.  
 9,093,783 B2 7/2015 Grimm  
 9,099,807 B2 8/2015 Opgenorth  
 9,136,658 B2 9/2015 Chang et al.  
 D749,047 S 2/2016 Smith  
 D754,073 S 4/2016 Katagiyama et al.  
 9,412,530 B2 8/2016 Kirita  
 9,437,961 B1 9/2016 Smajda  
 9,437,965 B2 9/2016 Zitsch et al.  
 D769,822 S 10/2016 Reynolds  
 D781,787 S 3/2017 Spiel  
 D782,982 S 4/2017 Katagiyama et al.  
 D794,573 S 8/2017 Tateishi  
 D798,701 S \* 10/2017 Hill ..... F16B 35/00  
 D803,158 S \* 11/2017 Smajda ..... D13/138.1

D818,356 S \* 5/2018 Sears ..... D8/387  
 D820,788 S \* 6/2018 Smajda ..... D13/138.1  
 D821,327 S \* 6/2018 Smajda ..... D13/138.1  
 D833,978 S \* 11/2018 Smajda ..... D13/154  
 D864,125 S \* 10/2019 Selig ..... D13/156  
 D867,298 S \* 11/2019 Joniak ..... D13/146  
 D868,000 S \* 11/2019 Joniak ..... D13/146  
 10,476,199 B2 \* 11/2019 Kim ..... H01R 13/5213  
 D868,699 S \* 12/2019 Smajda ..... D13/146  
 D870,054 S \* 12/2019 Wildman ..... D13/158  
 2004/0014350 A1 1/2004 McMullen et al.  
 2006/0063396 A1 3/2006 Bankstahl  
 2009/0269958 A1 10/2009 Fujiwara et al.  
 2010/0173504 A1 7/2010 Pamapy et al.  
 2010/0297875 A1 11/2010 Purdy et al.  
 2011/0294329 A1 12/2011 Sasaki  
 2012/0252256 A1 10/2012 Zhu et al.  
 2013/0221166 A1 8/2013 Henniges et al.  
 2014/0050443 A1 2/2014 Lee  
 2014/0302724 A1 10/2014 Ono  
 2015/0050827 A1 2/2015 Chang et al.  
 2015/0110447 A1 4/2015 Elenbaas et al.  
 2017/0288335 A1 \* 10/2017 Hsu ..... G02B 6/3816  
 2017/0310044 A1 10/2017 Smajda

OTHER PUBLICATIONS

Camping World. 25' 50 Amp Detachable Power Cord with Handle & Indicator Light. No date specified. <https://www.campingworld.com/25%E2%80%99-50-amp-detachable-power-cord-with-handle-indicator-light-102415.html> (Year: 0).\*

\* cited by examiner

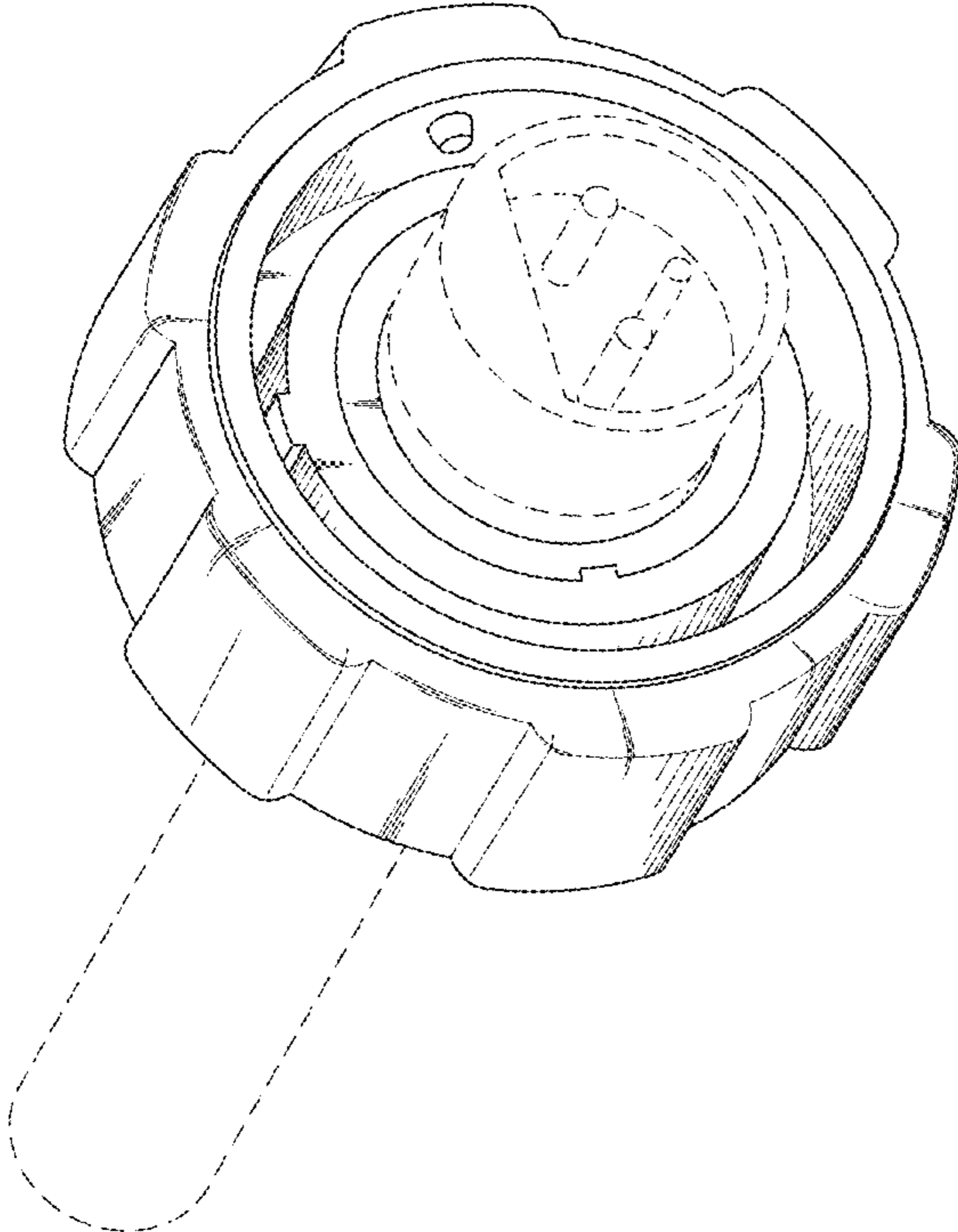


FIG. 1

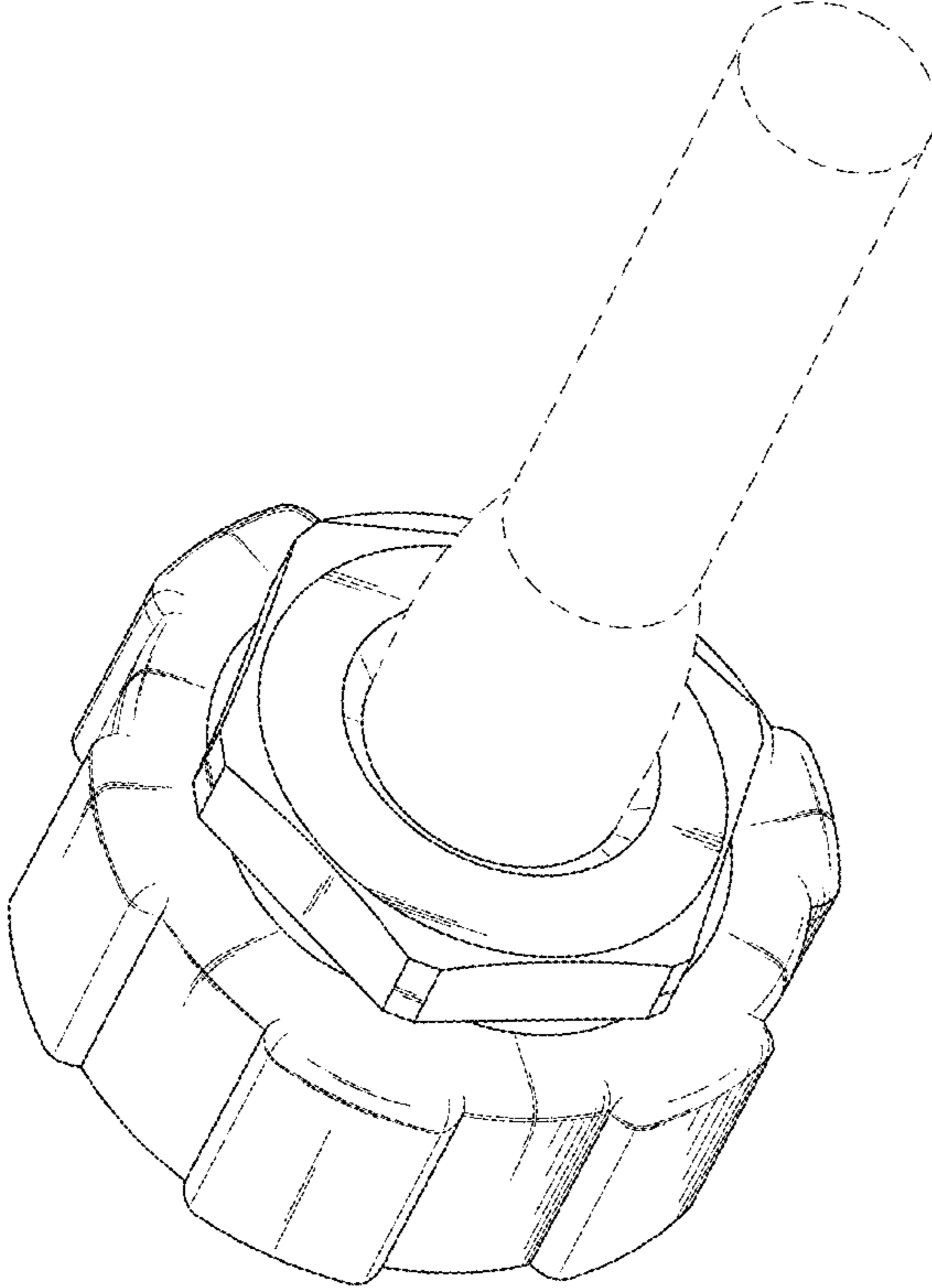


FIG. 2

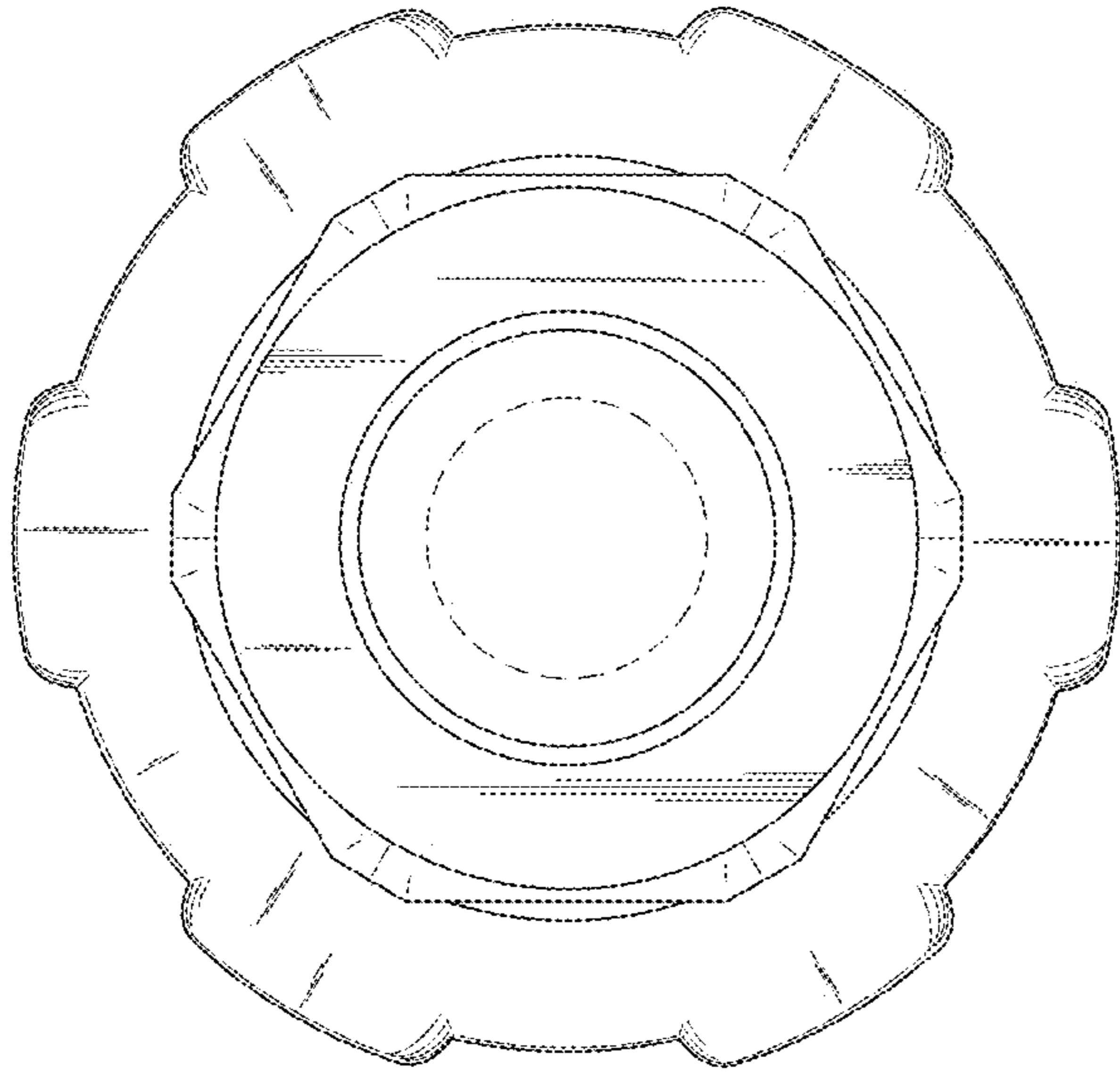


FIG. 4

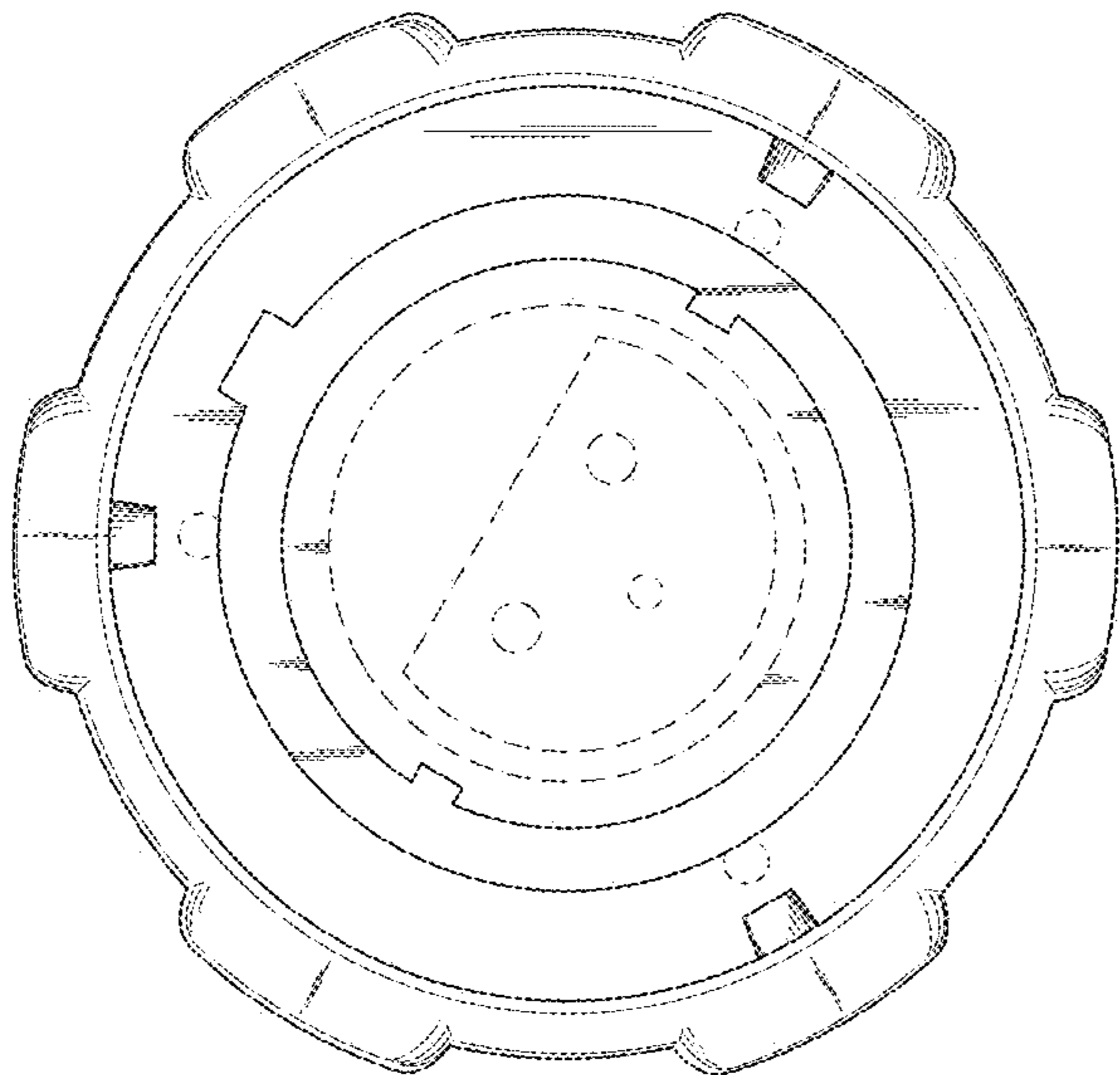


FIG. 3

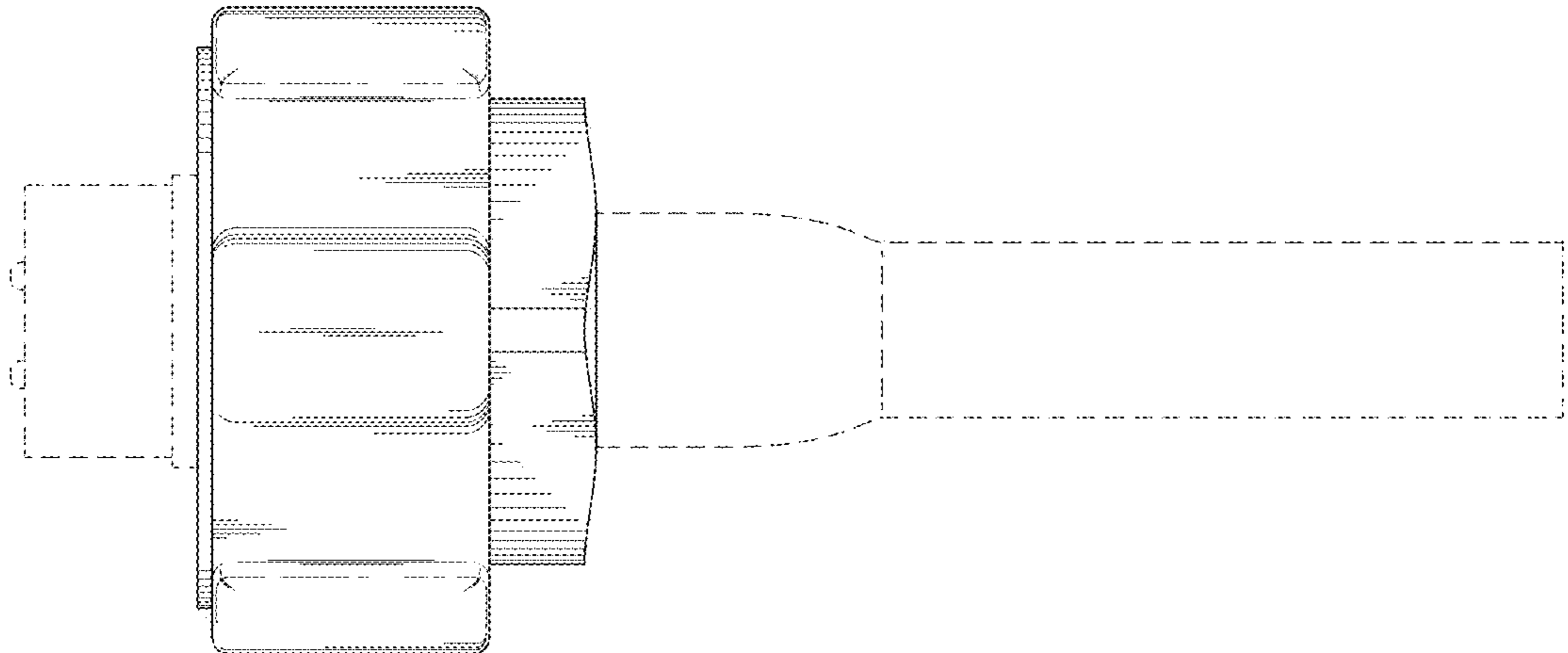


FIG. 5

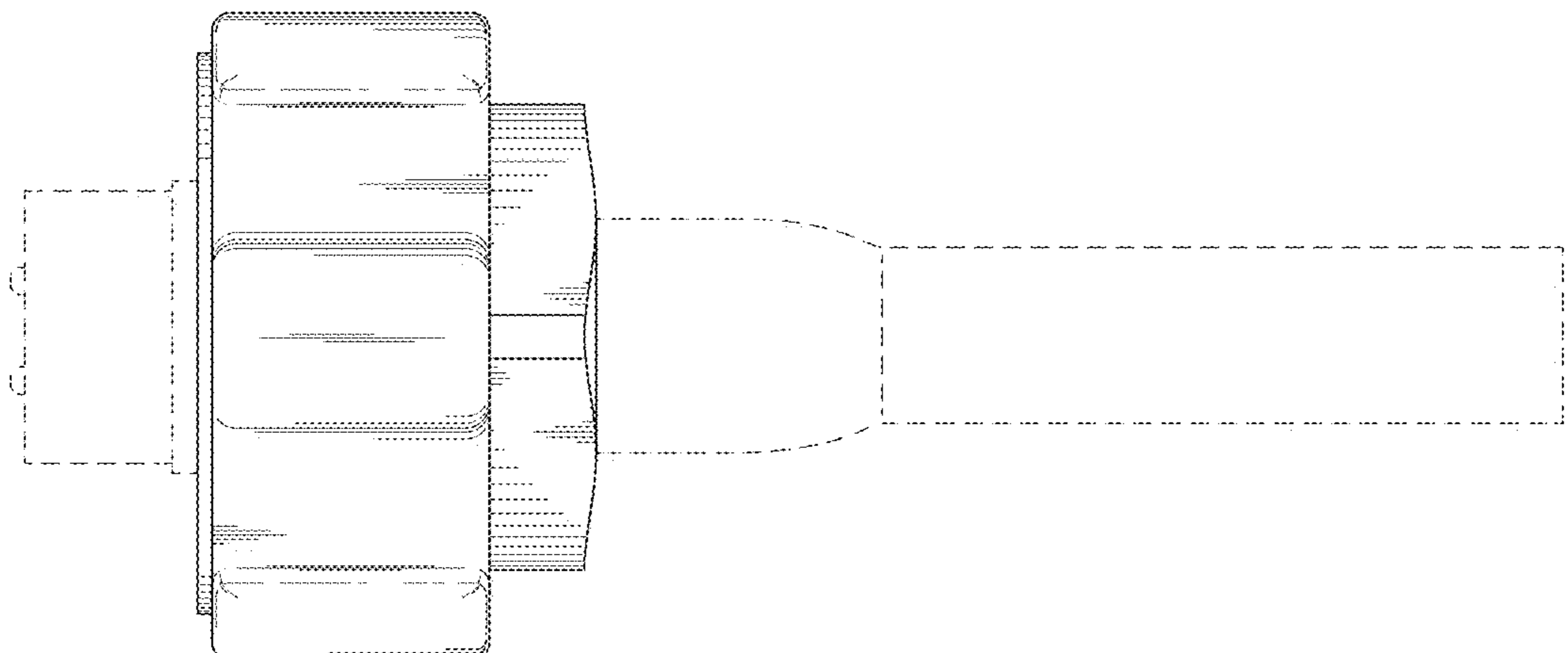


FIG. 6

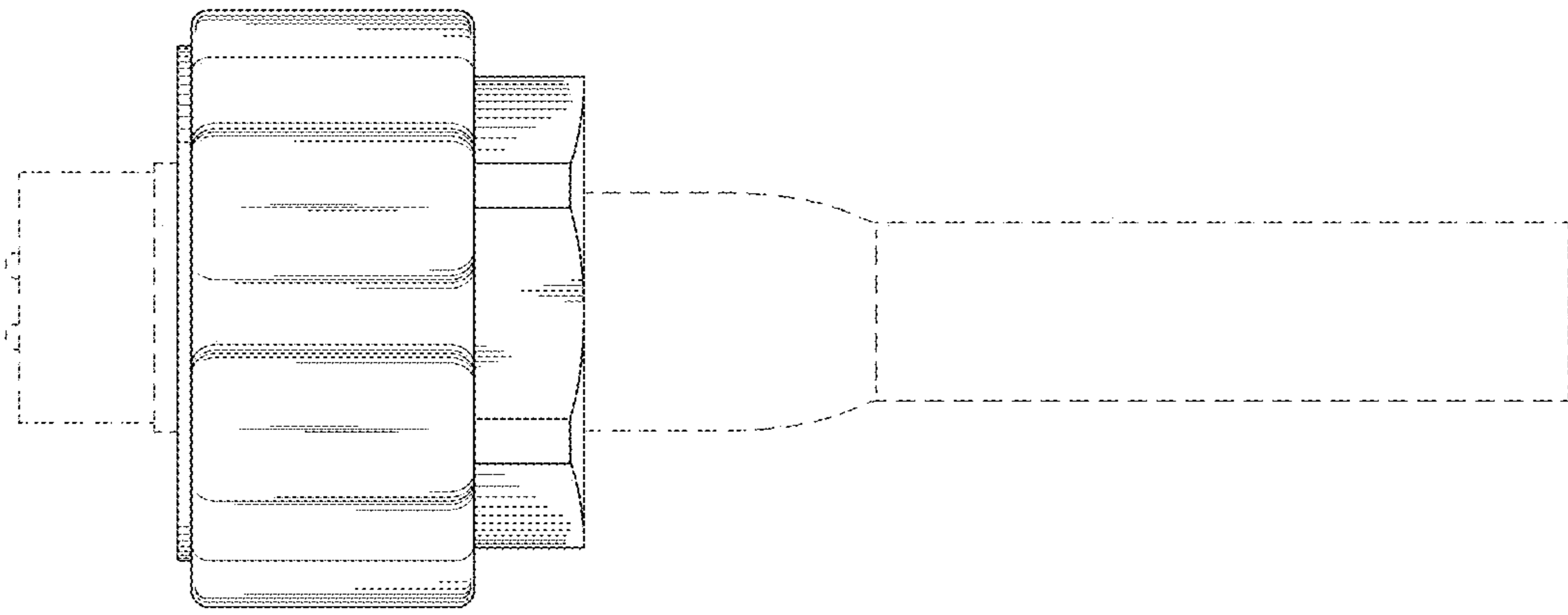


FIG. 8

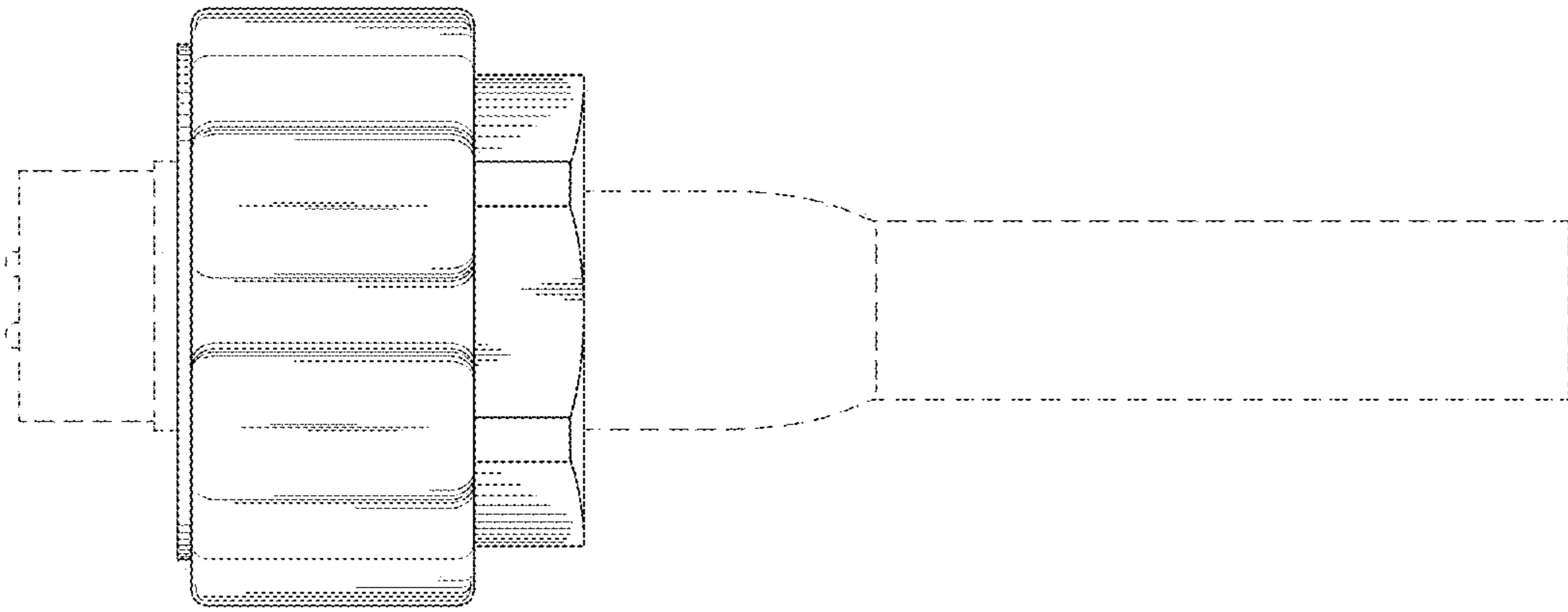


FIG. 7