



US00D900750S

(12) **United States Design Patent** (10) **Patent No.:** **US D900,750 S**
Amoss et al. (45) **Date of Patent:** **** Nov. 3, 2020**

(54) **MULTI-SOCKET HUB**

(71) Applicant: **ALLSTAR MARKETING GROUP, LLP**, Hawthorne, NY (US)

(72) Inventors: **Joshua D. Amoss**, Wayne, PA (US);
Thomas Gentile, Mahopac, NY (US)

(73) Assignee: **ALLSTAR MARKETING GROUP, LLC**, Hawthorne, NY (US)

(**) Term: **15 Years**

(21) Appl. No.: **29/689,543**

(22) Filed: **Apr. 30, 2019**

Related U.S. Application Data

(63) Continuation-in-part of application No. 29/680,940, filed on Feb. 21, 2019.

(51) **LOC (12) Cl.** **13-03**

(52) **U.S. Cl.**
USPC **D13/138.2**

(58) **Field of Classification Search**
USPC D13/107, 108, 110, 133, 137.1, 137.2,
D13/137.3, 137.4, 138.1, 138.2, 139.1,
(Continued)

(56) **References Cited**

U.S. PATENT DOCUMENTS

D371,341 S 7/1996 Hung et al.
5,566,053 A * 10/1996 Chou H01R 25/006
174/50

(Continued)

FOREIGN PATENT DOCUMENTS

CN 2686159 Y 3/2005
CN 2686160 Y 3/2005

(Continued)

OTHER PUBLICATIONS

“Globe Electric Outlet Surge Protector”. Found online Jun. 18, 2020 at amazon.com. Reference dated Jan. 3, 2012. Retrieved from https://uedata.amazon.com/Globe-Electric-4608201-Protector-Removable/dp/B006O889DW. (Year: 2012).*

(Continued)

Primary Examiner — Kendra Leslie Hamilton

Assistant Examiner — Amanda Christensen

(74) *Attorney, Agent, or Firm* — Andrew F. Young, Esq.;
Lackenbach Siegel, LLP

(57) **CLAIM**

The ornamental design for a multi-socket hub, as shown and described.

DESCRIPTION

FIG. 1 is a left, front, top, perspective view of a first embodiment of a multi-socket hub showing our new design.

FIG. 2 is a right, front, bottom perspective view thereof.

FIG. 3 is a front elevation view of the multi-socket hub of FIG. 1, shown somewhat enlarged.

FIG. 4 is a rear elevation view thereof.

FIG. 5 is a left side elevation view of the multi-socket hub of FIG. 1.

FIG. 6 is a right side elevation view thereof.

FIG. 7 is a top plan view thereof.

FIG. 8 is a bottom plan view thereof.

FIG. 9 is a left front top perspective view of a second embodiment of a multi-socket hub showing our new design.

FIG. 10 is a right front bottom perspective view thereof.

FIG. 11 is a front elevation view of the multi-socket hub of FIG. 9, shown somewhat enlarged.

FIG. 12 is a rear elevation view thereof.

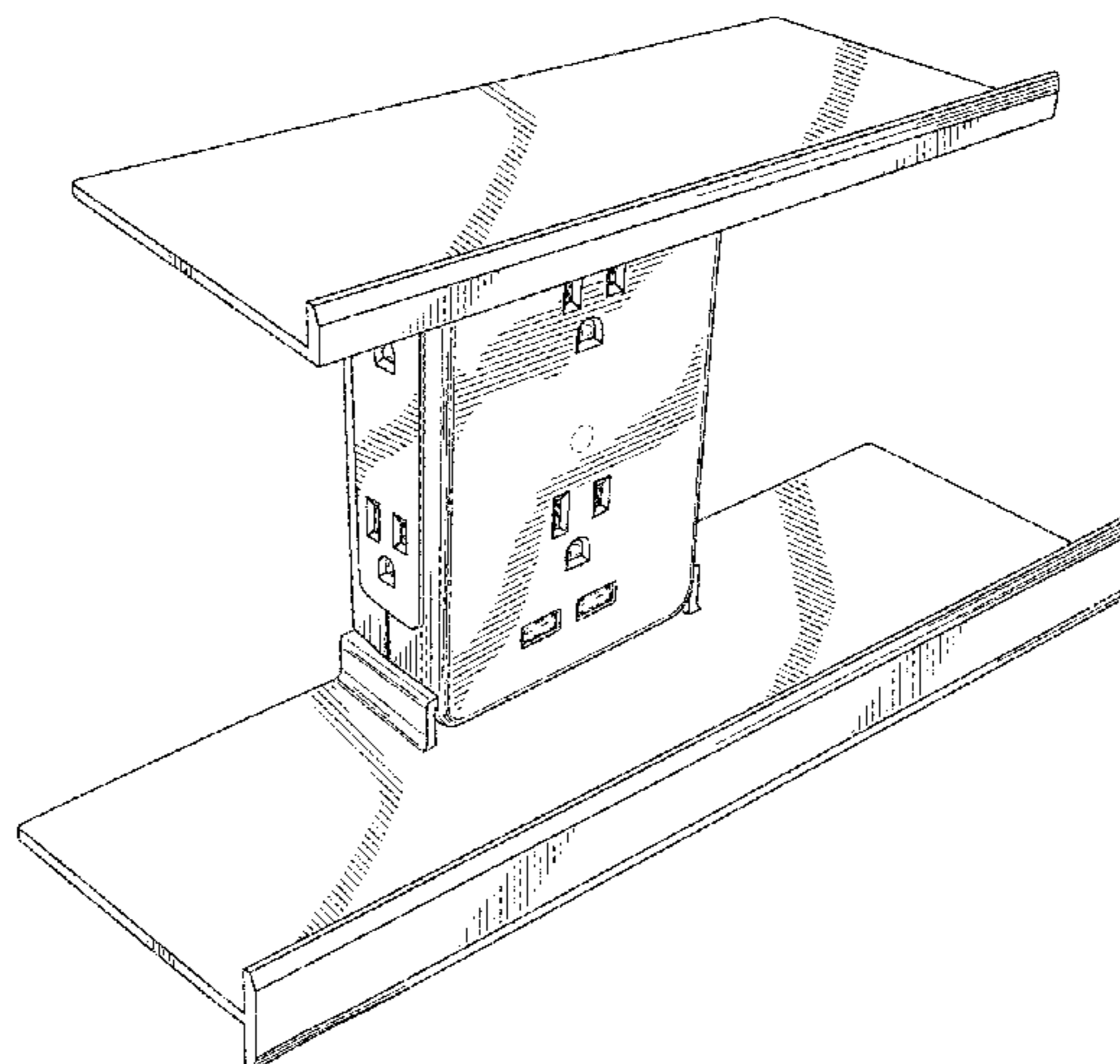
FIG. 13 is a left side elevation view of the multi-socket hub of FIG. 9.

FIG. 14 is a right side elevation view thereof.

FIG. 15 is a top plan view thereof; and,

FIG. 16 is a bottom plan view thereof.

(Continued)



The equal-length broken lines in the drawings depict portions of the multi-socket hub that form no part of the claimed design. The dash-dot-dash lines define the boundaries of the claim.

1 Claim, 16 Drawing Sheets

(58) **Field of Classification Search**

USPC D13/139.2, 139.3, 139.4, 139.6, 139.7,
D13/139.8, 146, 154, 156, 158, 177, 184,
D13/199; D14/432, 433
CPC H01R 13/46; H01R 24/76; H01R 13/44
See application file for complete search history.

(56) **References Cited**

U.S. PATENT DOCUMENTS

5,575,668	A	11/1996	Timmerman	
D405,051	S	2/1999	Byrne	
D405,052	S	2/1999	Byrne	
D407,374	S	3/1999	Byrne	
6,004,157	A *	12/1999	Glass	A47B 21/06 439/535
D464,319	S *	10/2002	Fowler	D13/137.2
D469,403	S	1/2003	Nieto	
6,642,450	B1	11/2003	Hsiao	
6,897,379	B1	5/2005	Hsiao	
7,114,971	B1 *	10/2006	Johnson	H01R 13/112 439/211
D549,175	S *	8/2007	Slasinski	D13/137.1
7,374,425	B1	5/2008	Kuo et al.	
7,874,869	B2	1/2011	Chern et al.	
D636,335	S	4/2011	Clark	
7,934,932	B1	5/2011	Lee et al.	

D645,404	S *	9/2011	Chuang	D13/139.1
D651,651	S *	1/2012	Beukema	D13/139.1
8,118,616	B1	2/2012	Clark	
D682,213	S	5/2013	Byrne	
8,491,318	B2	7/2013	Lee et al.	
8,500,492	B2	8/2013	Brown et al.	
D706,579	S	6/2014	Mobbs	
D709,832	S	7/2014	Byrne	
D775,078	S *	12/2016	Peng	D13/137.2
D848,371	S *	5/2019	Byrne	D13/139.4
D861,615	S *	10/2019	Zanoni	D13/139.1
D881,809	S *	4/2020	Lyu	D13/108
D886,062	S *	6/2020	Du	D13/137.2
2018/0358765	A1 *	12/2018	Byrne	H02J 7/00

FOREIGN PATENT DOCUMENTS

CN	203617526	U	5/2014
CN	204216291	U	3/2015

OTHER PUBLICATIONS

“Wall Plate”. Found online Jun. 18, 2020 at amazon.com. Reference dated Apr. 5, 2016. Retrieved from <https://www.homedepot.com/p/White-No-Gang-Blank-Plate-Wall-Plate-BK3W-R-2/206931607>. (Year: 2016).*

“Allstar Innovations Socket Shelf”. Found online Jun. 8, 2020 at amazon.com. Reference dated Aug. 17, 2018. Retrieved from https://www.amazon.com/Port-Surge-Protector-Electrical-Extenders/dp/B07GL2WPXH/ref=psdc_6396125011_t2_B081W41PCW. (Year: 2018).*

“Sharper Image Socket Shelf”. Found online Jun. 23, 2020 at amazon.com. Reference dated Jun. 18, 2019. Retrieved from https://www.amazon.com/Protector-Electrical-Extenders-Removable-Interchangeable/dp/B07T93S54G/ref=pd_di_sccai_1/132-8872043-7311067. (Year: 2019).*

* cited by examiner

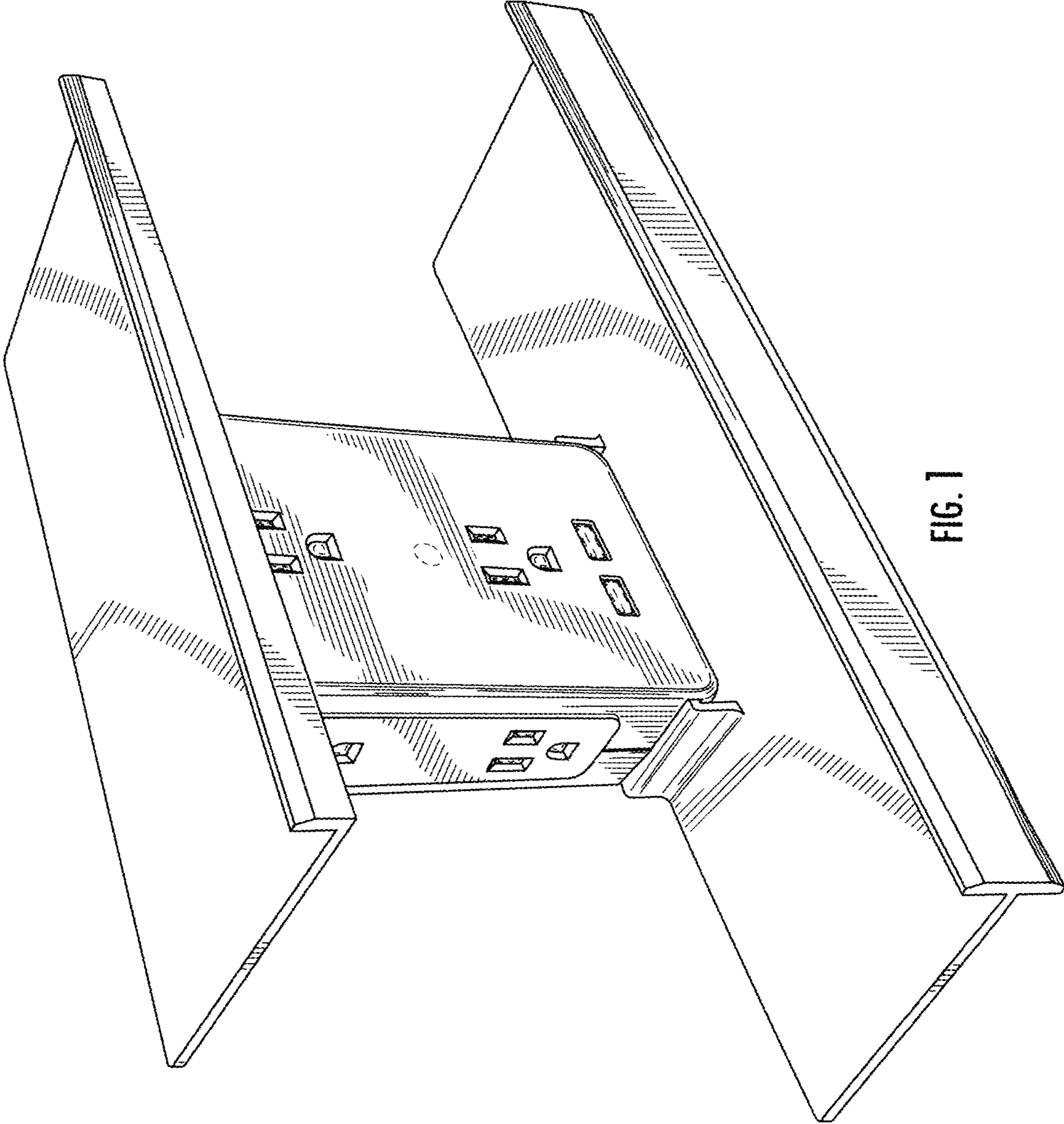


FIG. 1

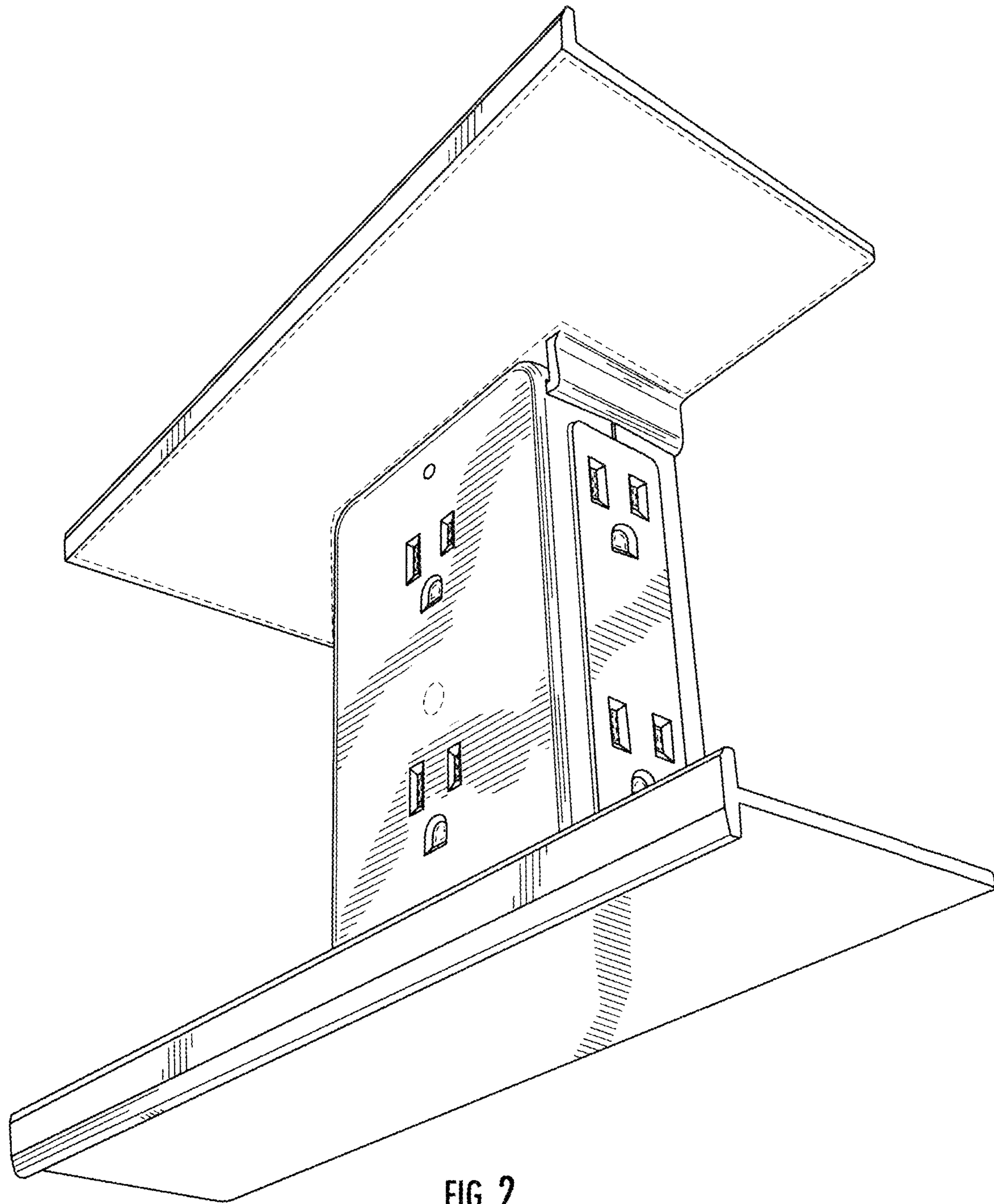


FIG. 2

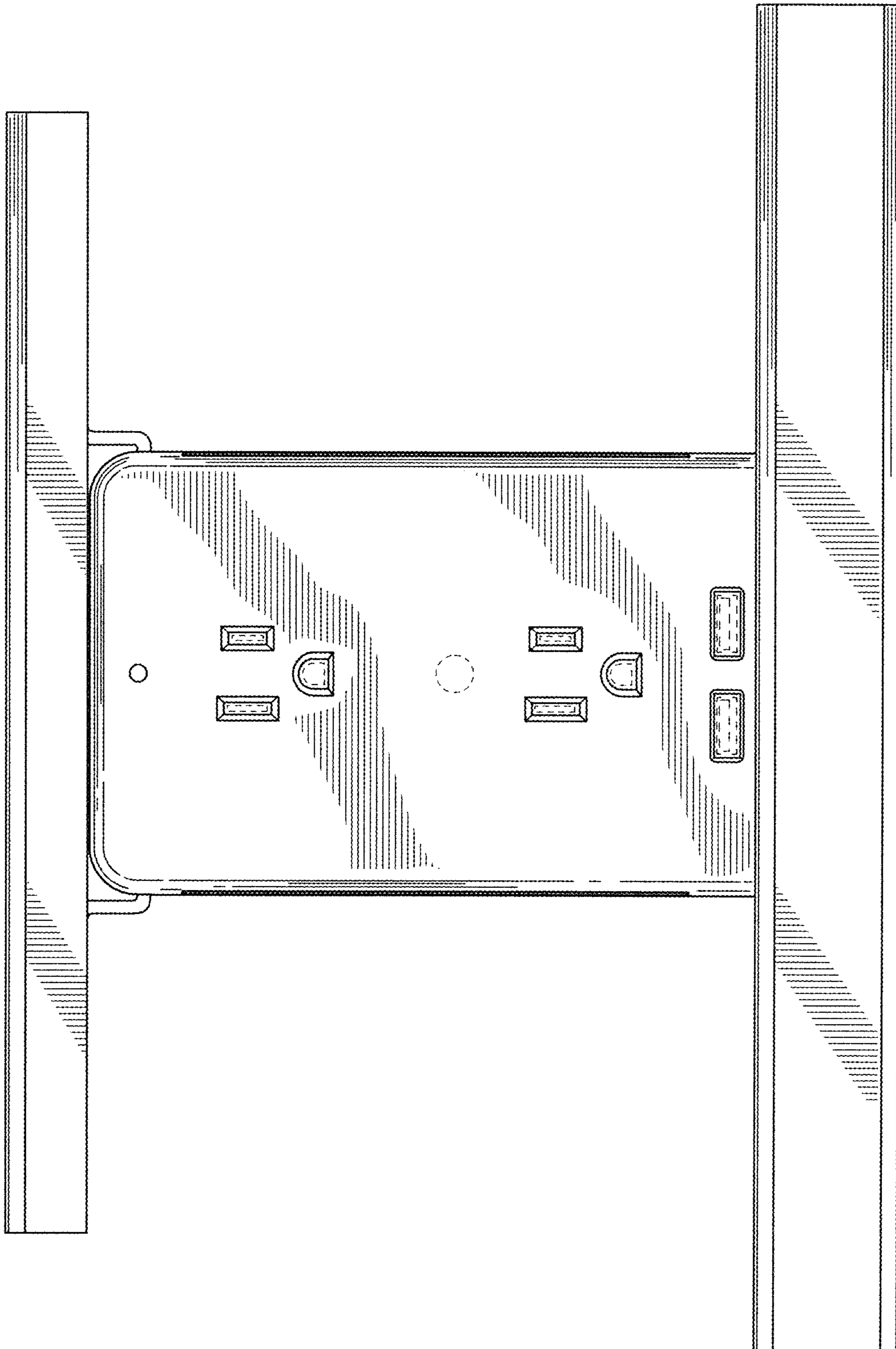


FIG. 3

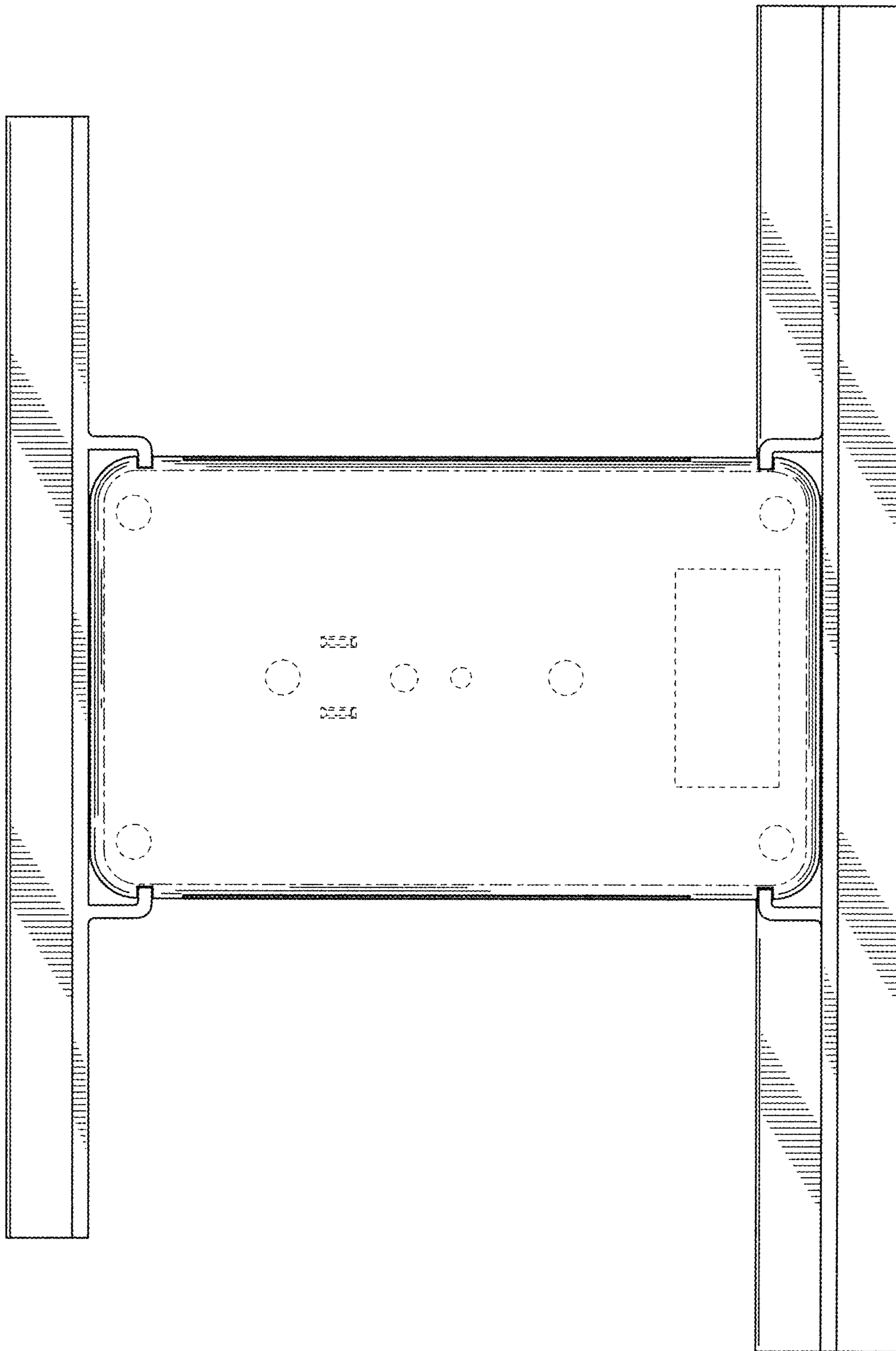


FIG. 4

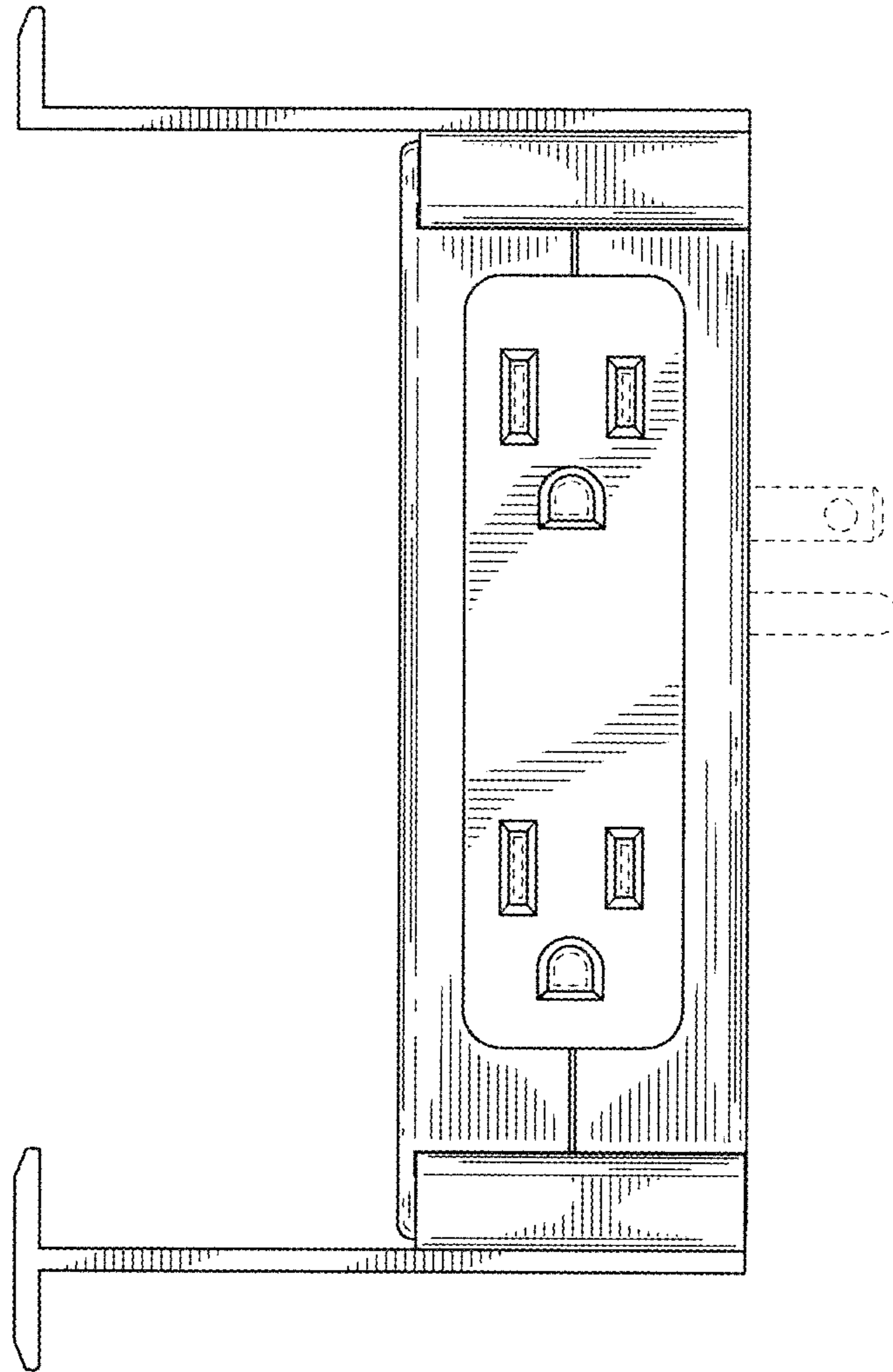


FIG. 5

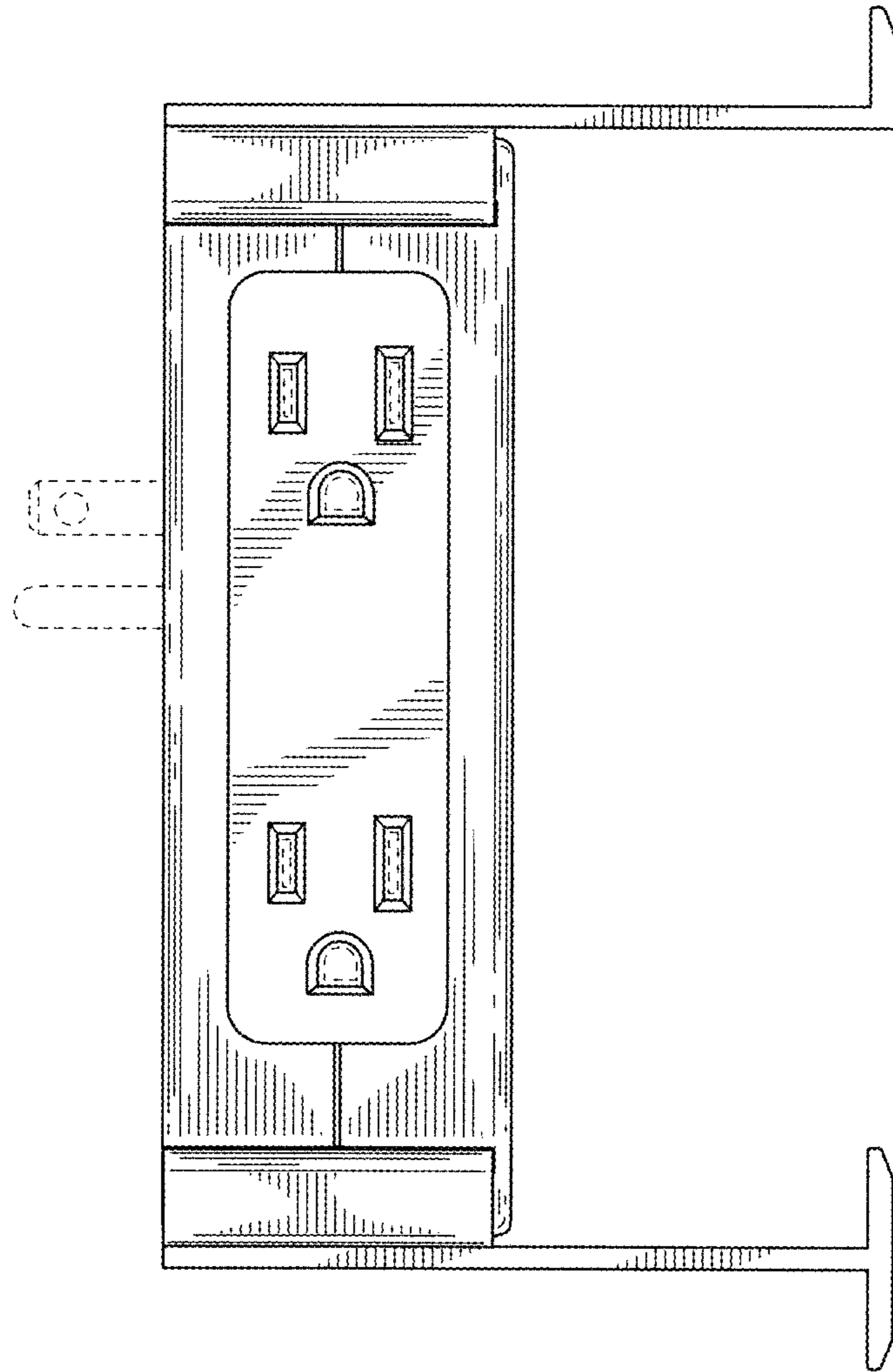


FIG. 6

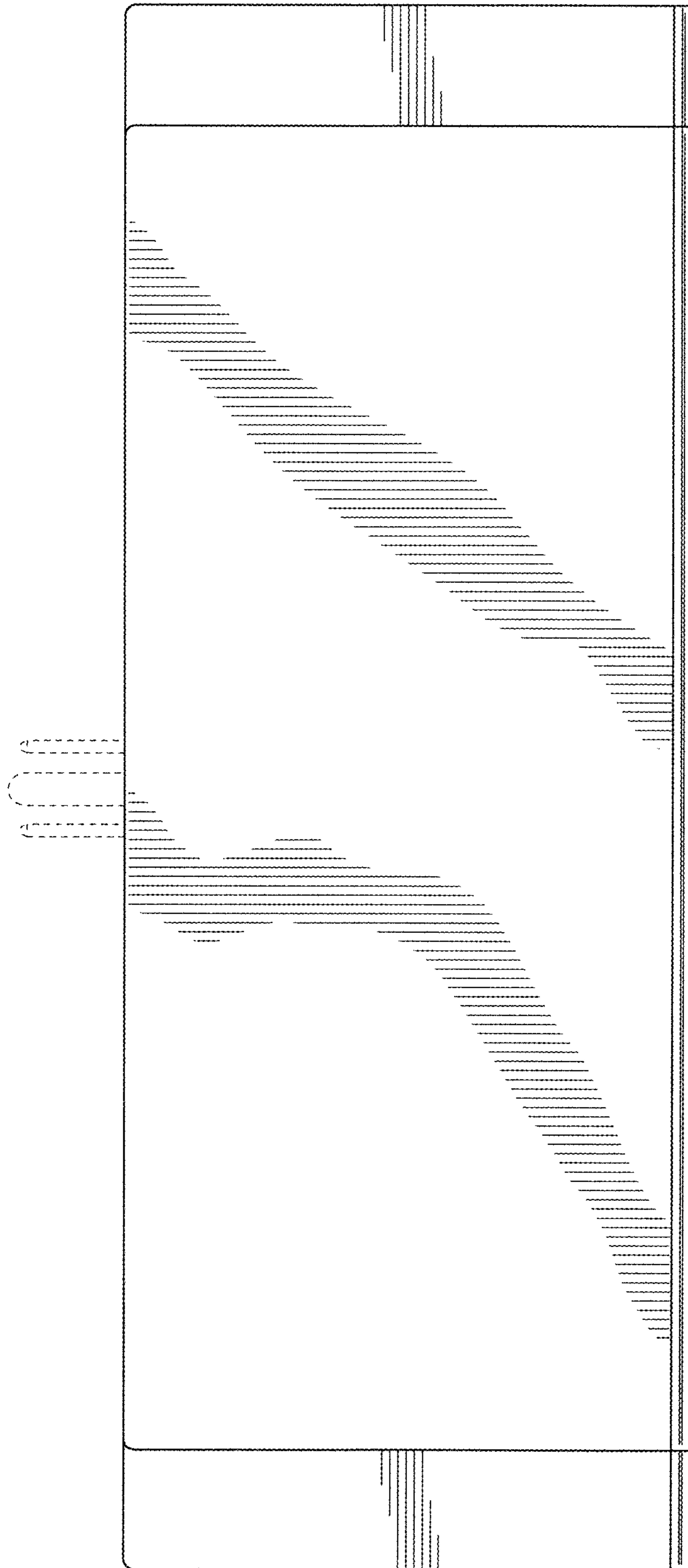


FIG. 7



FIG. 8

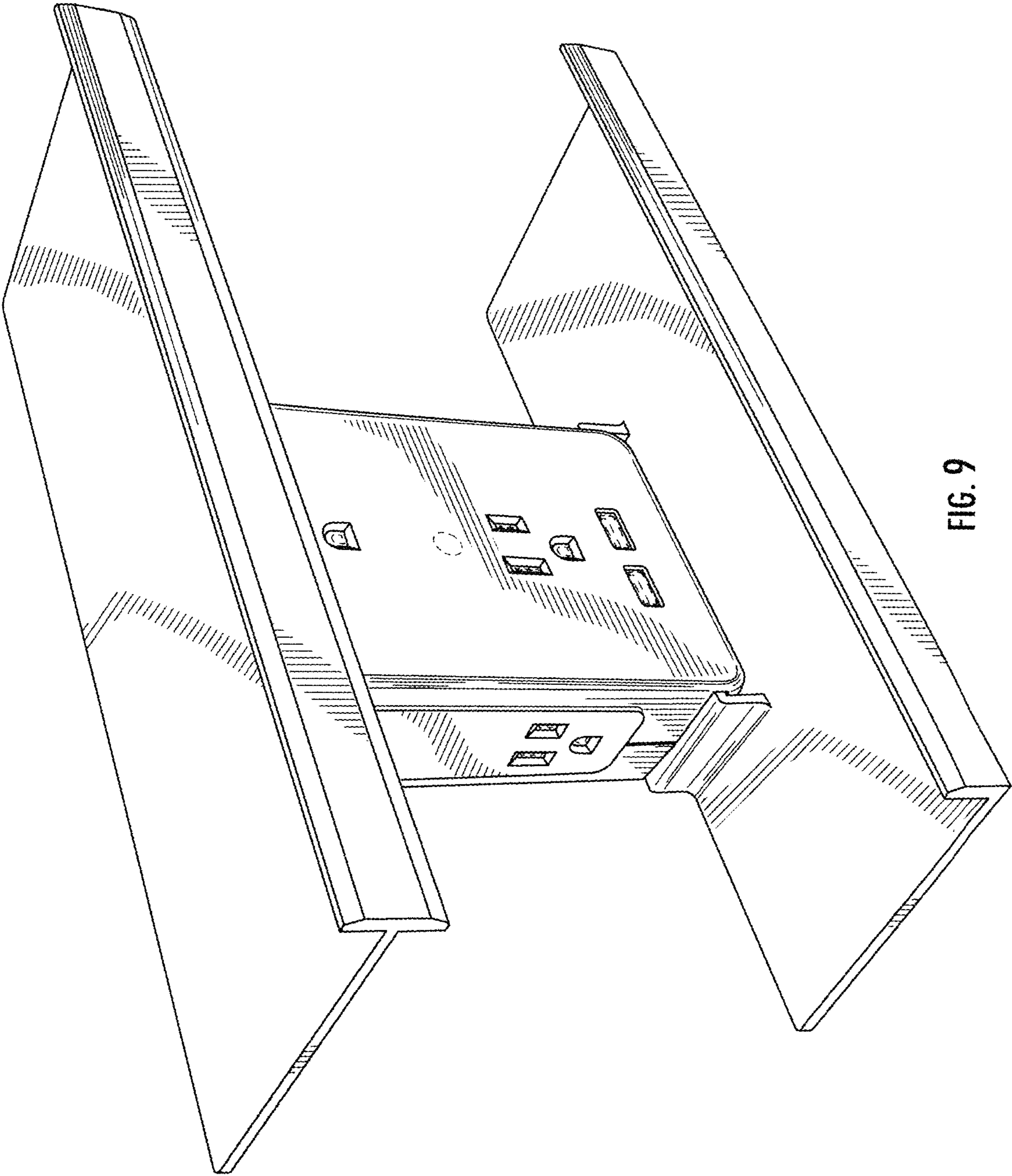


FIG. 9

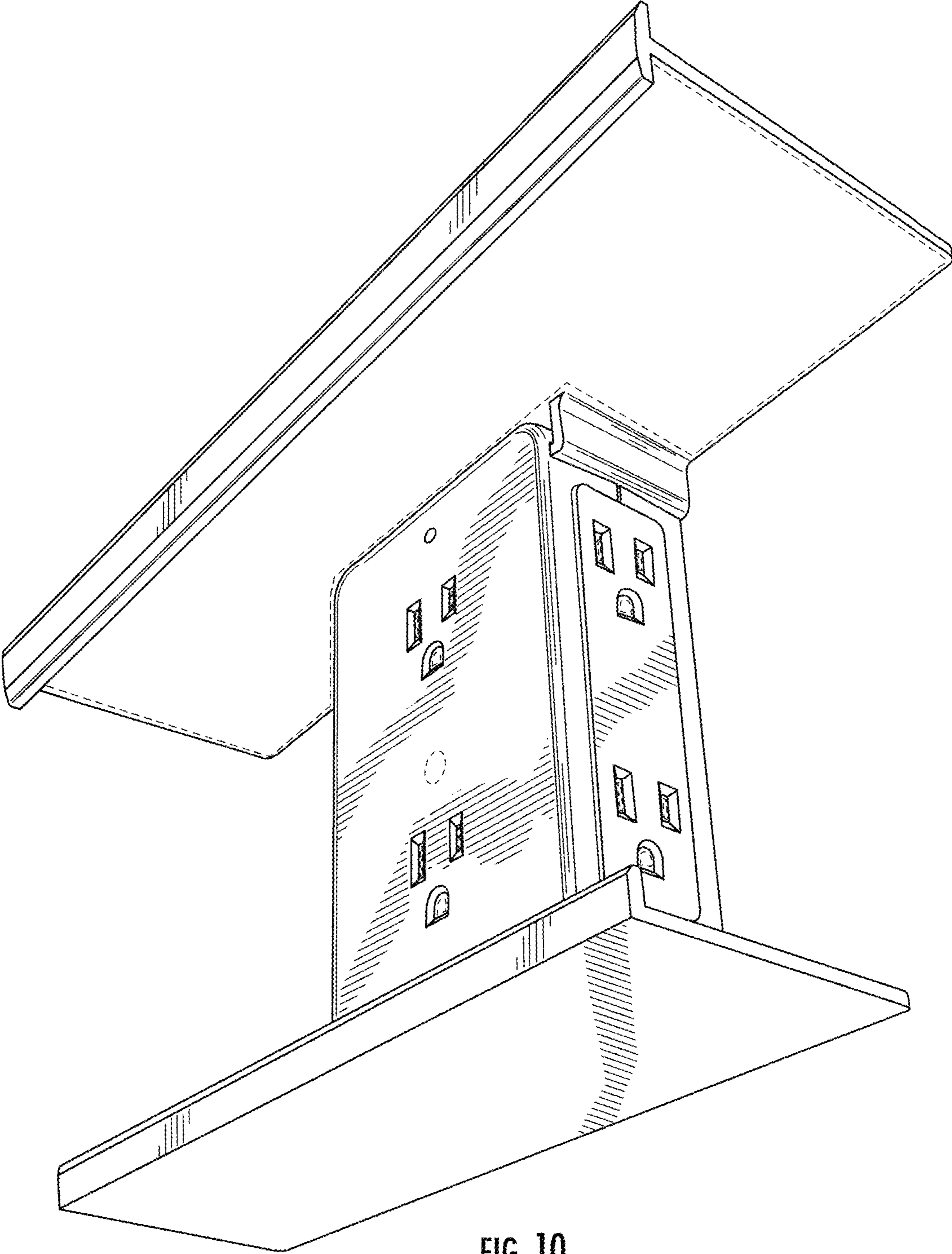


FIG. 10

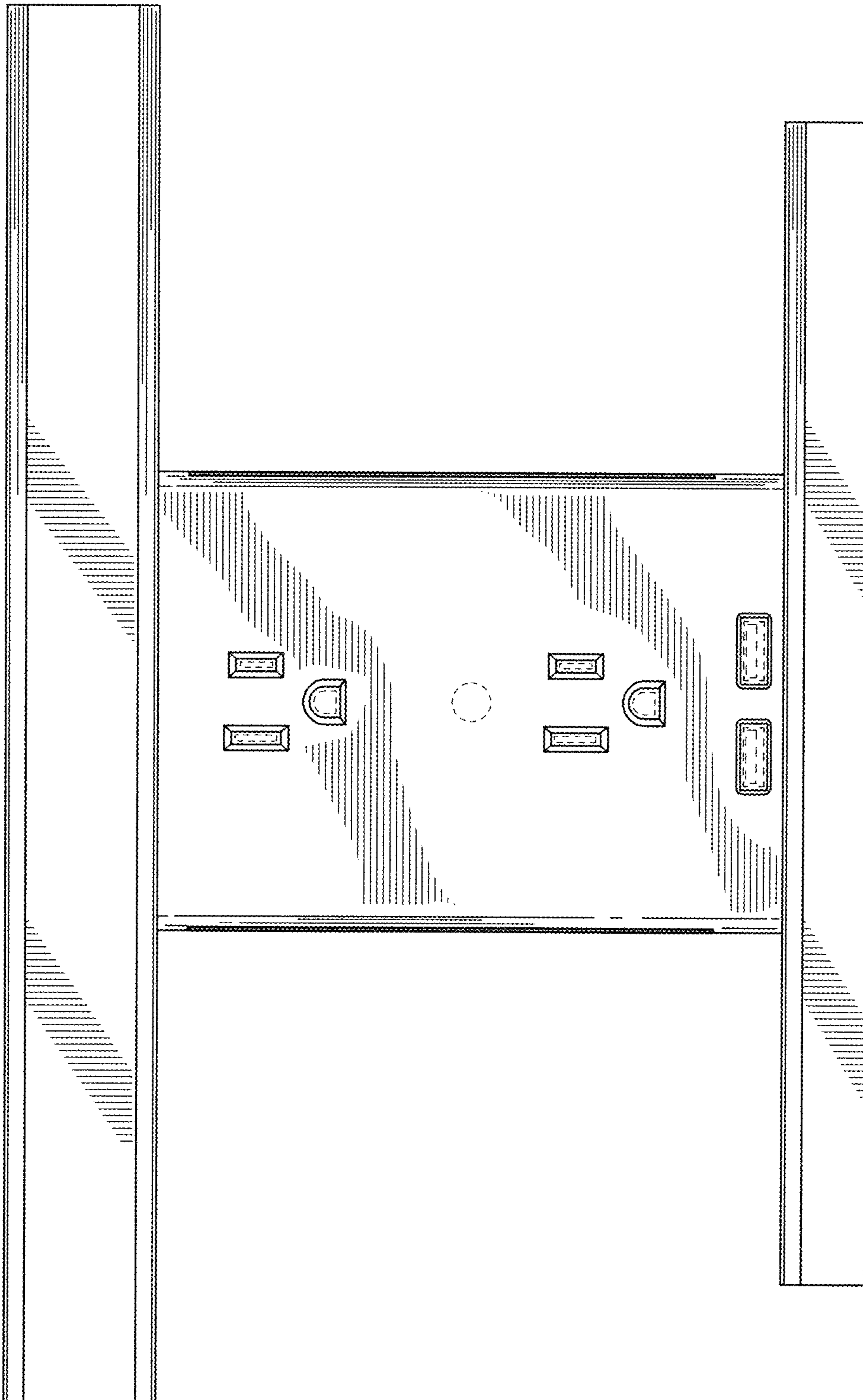


FIG. 11

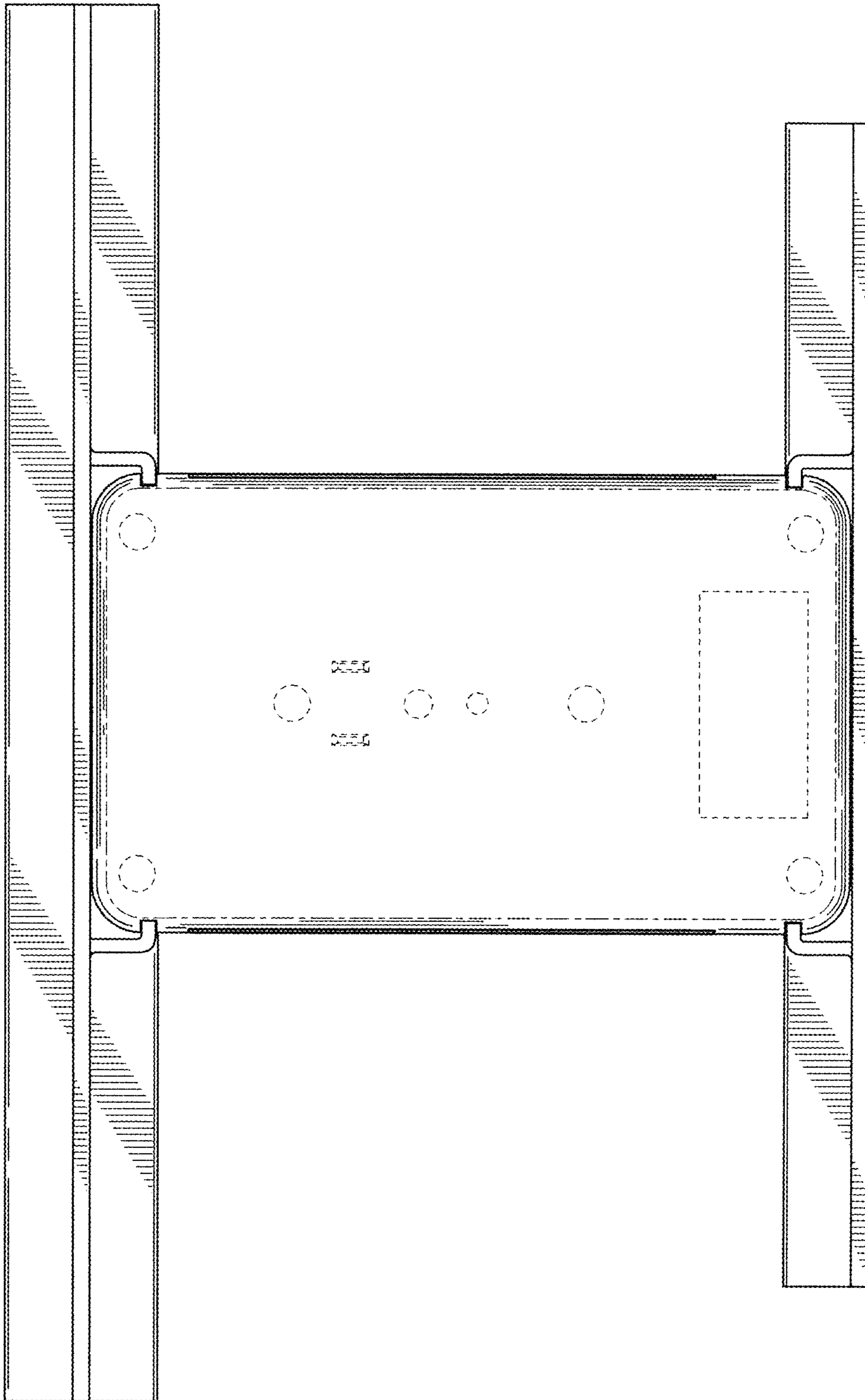


FIG. 12

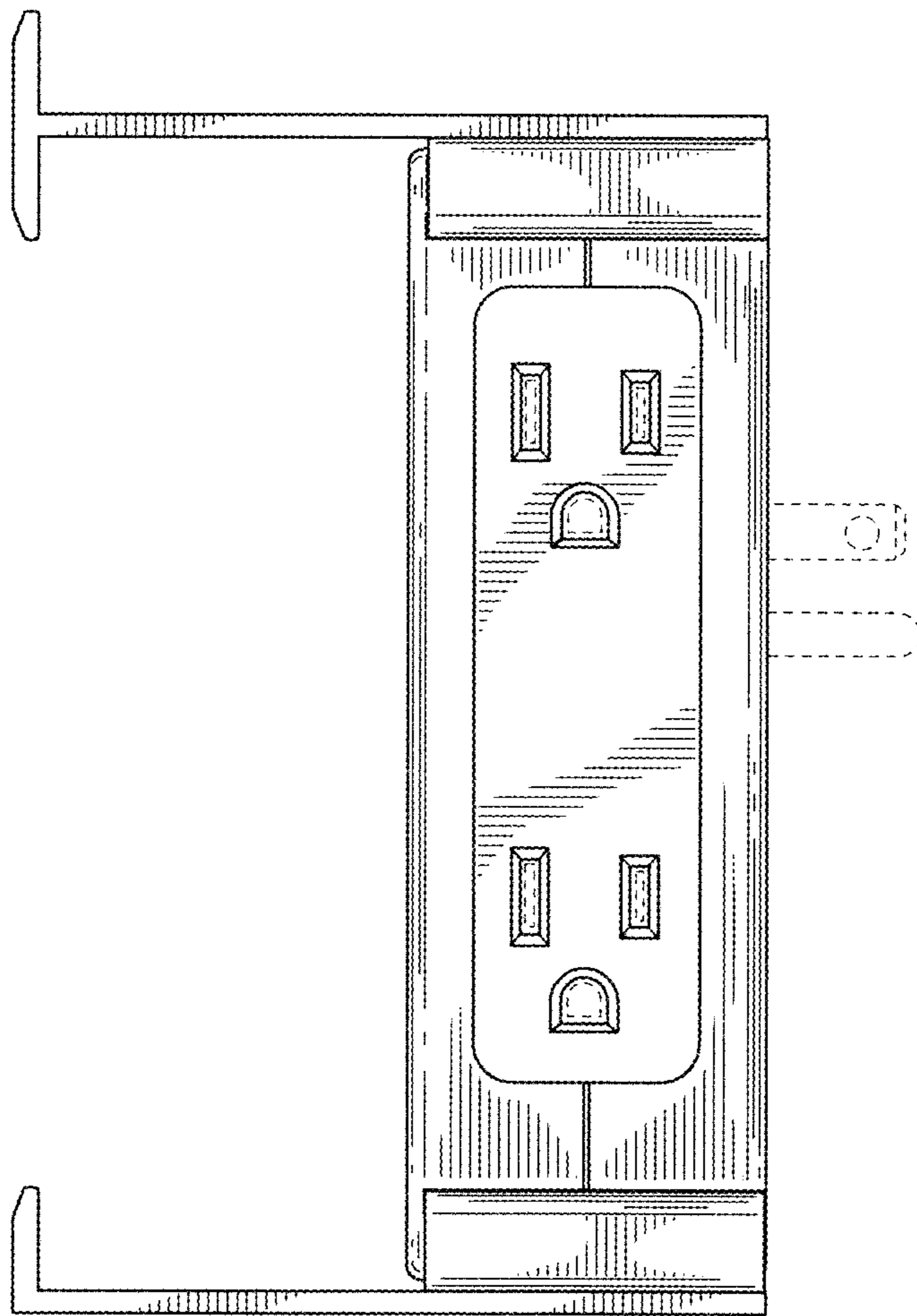


FIG. 13

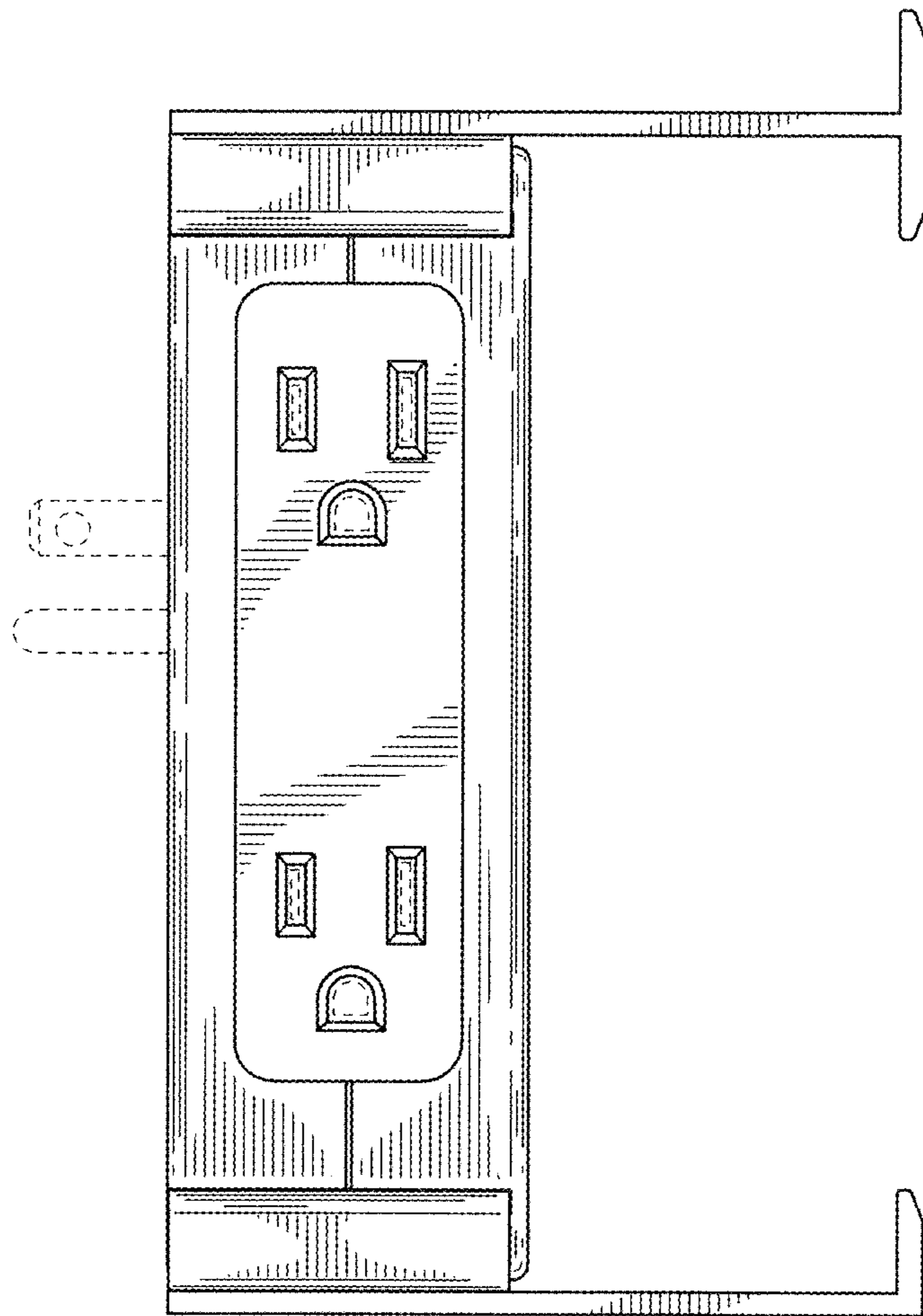


FIG. 14

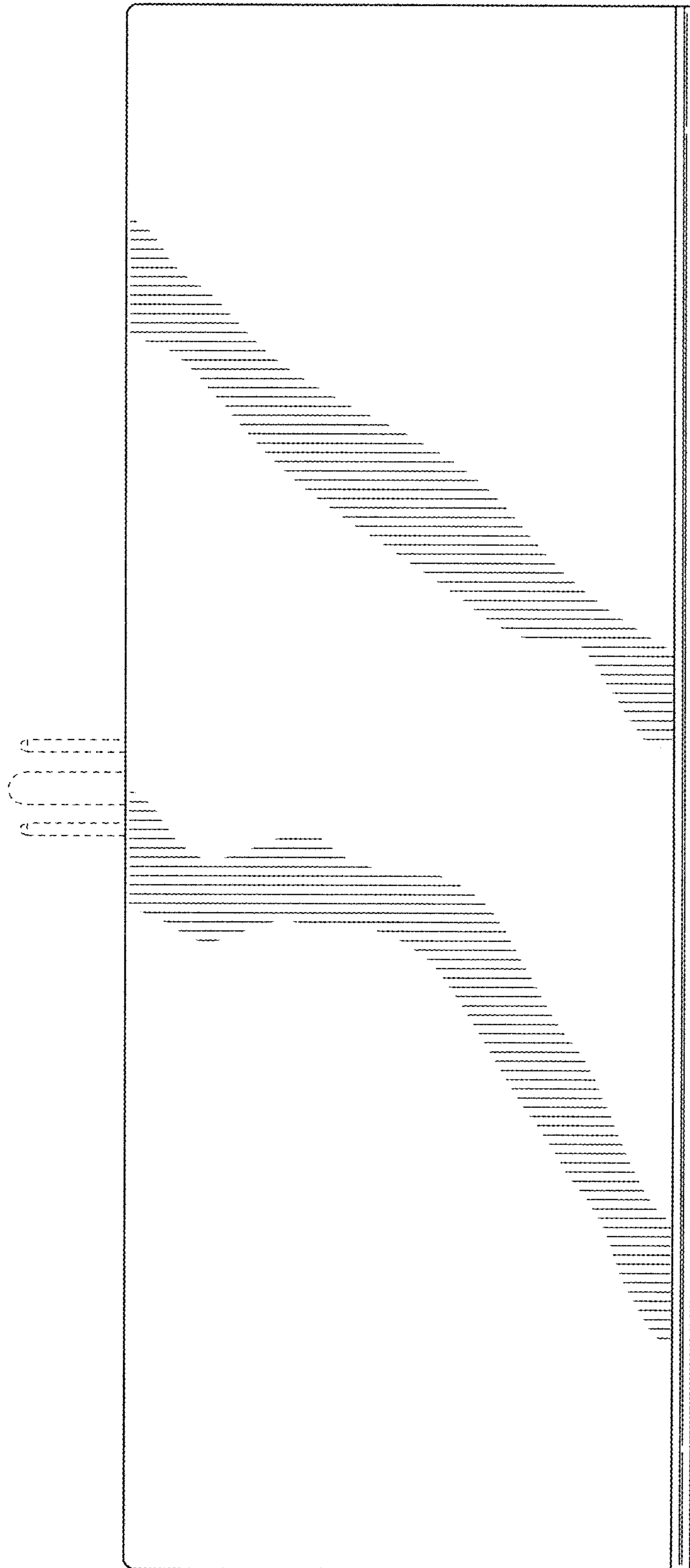


FIG. 15

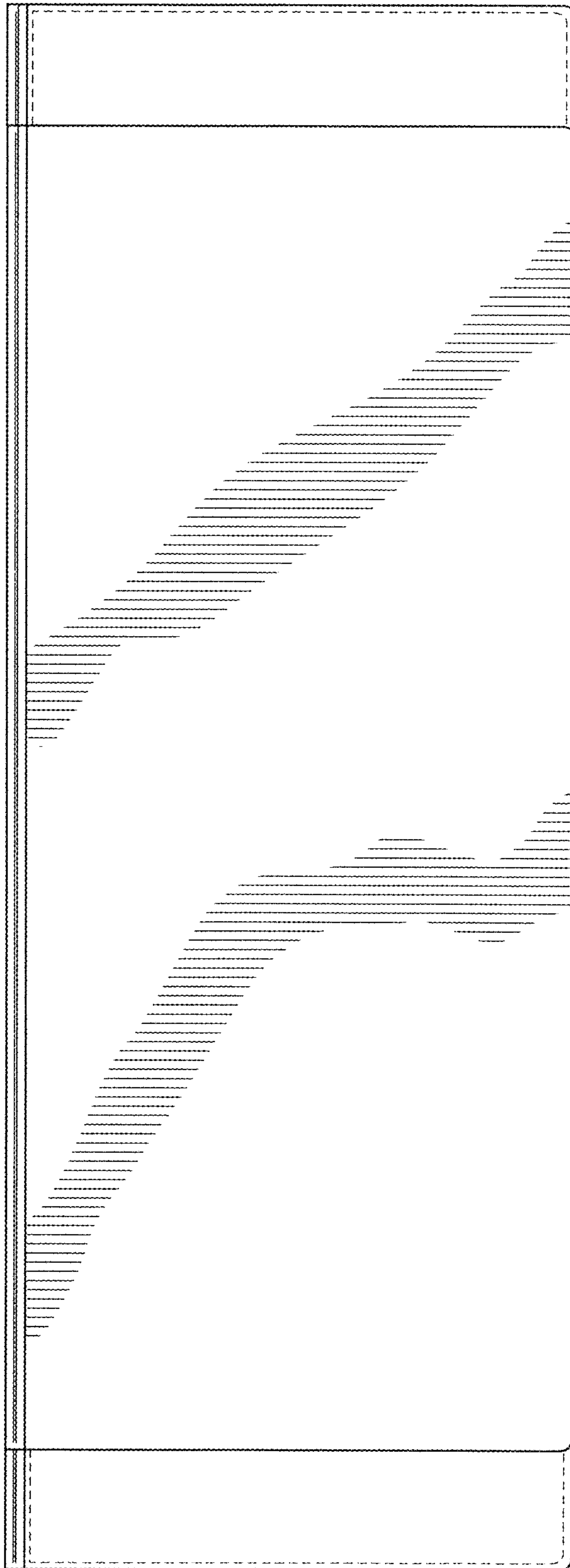


FIG. 16