



US00D900749S

(12) **United States Design Patent**
Bao

(10) **Patent No.:** **US D900,749 S**

(45) **Date of Patent:** **** Nov. 3, 2020**

(54) **POWER STRIP**

(71) Applicant: **CHIZHOU QINGLIANFENG
ELECTRONICS TECHNOLOGY
CO., LTD**, Chizhou (CN)

(72) Inventor: **Lamei Bao**, Chizhou (CN)

(73) Assignee: **CHIZHOU QINGLIANFENG
ELECTRONICS TECHNOLOGY
CO., LTD.**, Chizhou (CN)

(**) Term: **15 Years**

(21) Appl. No.: **29/740,695**

(22) Filed: **Jul. 7, 2020**

(51) **LOC (12) Cl.** **13-03**

(52) **U.S. Cl.**
USPC **D13/137.2; D13/137.3; D13/137.4**

(58) **Field of Classification Search**
USPC D13/103, 107, 108, 113, 118, 123, 133,
D13/137.1–137.4, 138.1, 138.2,
D13/139.1–139.7, 153, 154, 155;
D14/433, 434
CPC H01R 25/006; H01R 25/165; H01R 9/00;
H01R 9/22; H01R 9/226; H01R 13/00;
H01R 13/03; H01R 13/04; H01R 13/10;
H01R 13/35; H01R 13/502; H01R
13/631; H01R 13/6666; H01R 13/6675;
H05K 5/00; H05K 5/03
See application file for complete search history.

(56) **References Cited**

U.S. PATENT DOCUMENTS

D380,733 S * 7/1997 Parshad D13/139.6
D402,963 S * 12/1998 Parshad D13/139.6
D409,978 S * 5/1999 Stekelenburg D13/139.6
6,113,434 A * 9/2000 Pate H01R 25/003
439/107
D644,180 S * 8/2011 Lee D13/139.8
D662,056 S * 6/2012 Lee D13/139.8
D673,503 S * 1/2013 Lee D13/139.8

D693,770 S * 11/2013 Miller D13/139.2
D705,732 S * 5/2014 Lee D13/137.2
D775,081 S * 12/2016 Xu D13/139.6

(Continued)

OTHER PUBLICATIONS

Surge Protector, Mar. 19, 2018, [online], [site visited Sep. 11, 2020], Available from Internet URL: <https://www.amazon.com/Protector-Strip-JACKYLED-Charging-Fireproof-Compatible/dp/B07BK2YV1F> (Year: 2018).*

Primary Examiner — Karen E Kearney

Assistant Examiner — Michael Chong

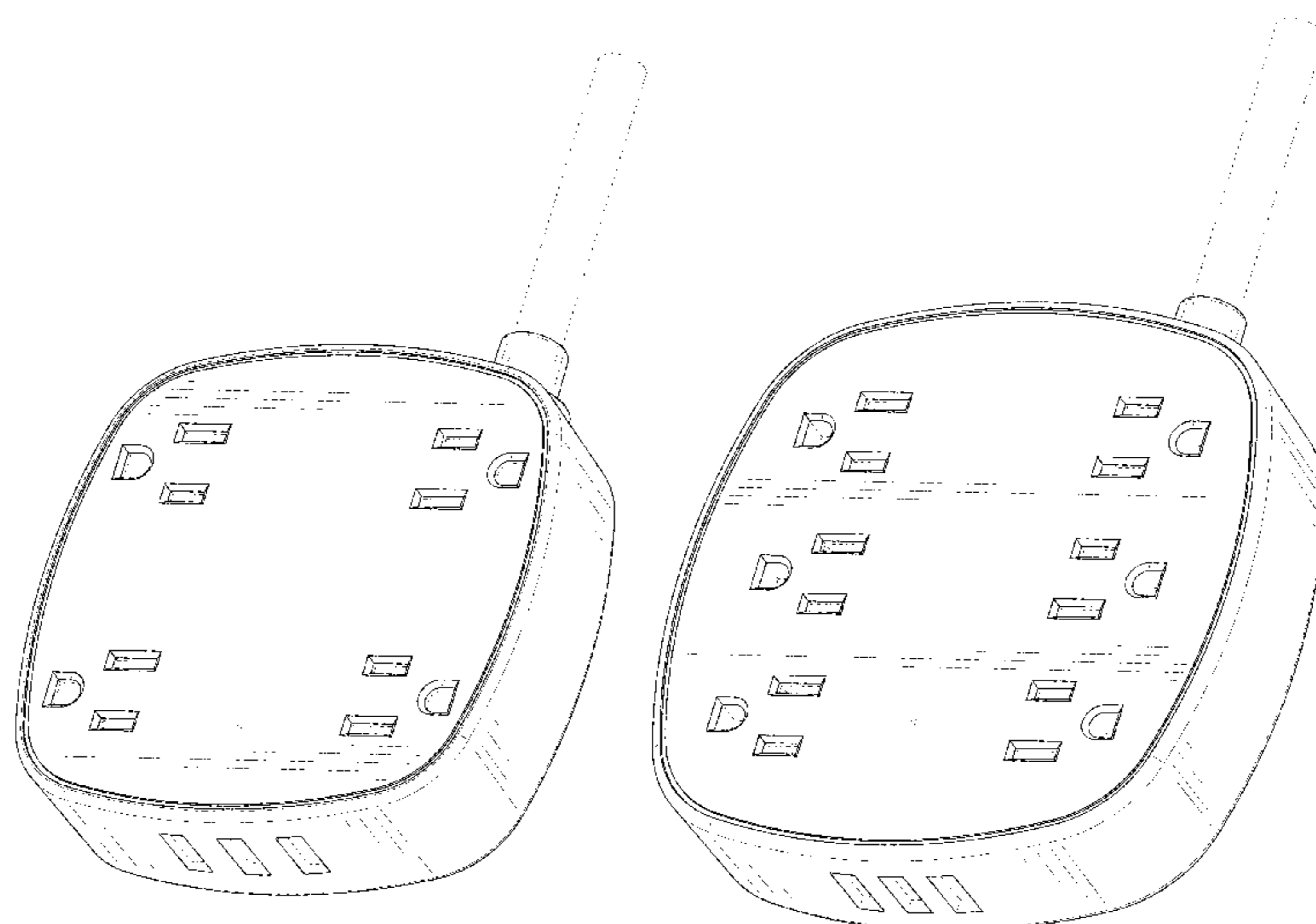
(57) **CLAIM**

The ornamental design for a power strip, as shown and described.

DESCRIPTION

FIG. 1 is a perspective view of a first embodiment of a power strip showing my new design;
FIG. 2 is another perspective view thereof;
FIG. 3 is a front elevational view thereof;
FIG. 4 is a rear elevational view thereof;
FIG. 5 is a left side elevational view thereof;
FIG. 6 is a right side elevational view thereof;
FIG. 7 is a top plan view thereof;
FIG. 8 is a bottom plan view thereof;
FIG. 9 is a perspective view of a second embodiment of the power strip showing my new design;
FIG. 10 is another perspective view thereof;
FIG. 11 is a front elevational view thereof;
FIG. 12 is a rear elevational view thereof;
FIG. 13 is a left side elevational view thereof;
FIG. 14 is a right side elevational view thereof;
FIG. 15 is a top plan view thereof; and,
FIG. 16 is a bottom plan view thereof.
The broken lines in the drawings depict portions of the power strip that form no part of the claimed design.

1 Claim, 16 Drawing Sheets



(56)

References Cited

U.S. PATENT DOCUMENTS

D776,056	S	*	1/2017	Block	D13/137.2
D796,443	S	*	9/2017	Xu	D13/139.6
D796,445	S	*	9/2017	Xu	D13/139.6
D801,276	S	*	10/2017	Lin	D13/139.7
D807,827	S	*	1/2018	Lu	D13/137.2
D816,038	S	*	4/2018	Lu	D13/137.3
D816,039	S	*	4/2018	Lu	D13/139.8
D823,805	S	*	7/2018	Xu	D13/139.8
D826,159	S	*	8/2018	Tao	D13/137.2
D828,304	S	*	9/2018	Chen	D13/139.8
D837,736	S	*	1/2019	Liao	D13/139.7
D846,500	S	*	4/2019	Xu	D13/137.4
D849,006	S	*	5/2019	Pang	D14/433
D852,138	S	*	6/2019	Wen	D13/137.1
D852,797	S	*	7/2019	Green	D14/433
D854,018	S	*	7/2019	Liao	D14/434
D864,145	S	*	10/2019	Zhang	D14/155
D864,206	S	*	10/2019	Wang	D14/433
D864,874	S		10/2019	Xu		
D867,998	S		11/2019	Gorretta et al.		
D871,344	S	*	12/2019	Lyu	D13/139.8
D878,299	S	*	3/2020	Lyu	D13/139.8
D879,716	S	*	3/2020	Chuang	D13/110
D883,934	S	*	5/2020	Yu	D13/139.8
D885,341	S	*	5/2020	Xu	D13/110
D885,345	S	*	5/2020	Chen	D13/139.8
D888,665	S	*	6/2020	Xiong	D13/110
D895,554	S	*	9/2020	Jianting	D13/137.2

* cited by examiner

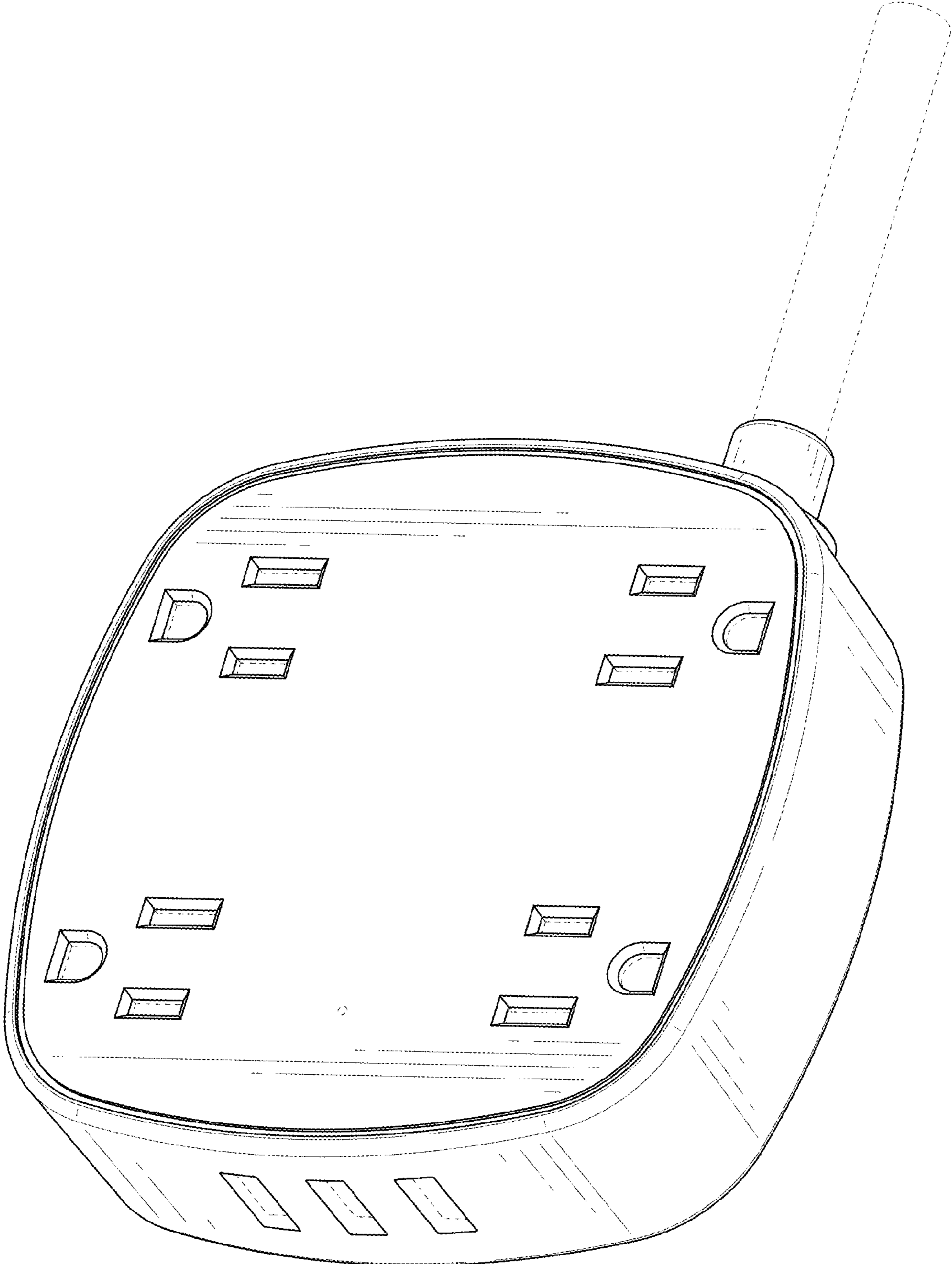


FIG. 1

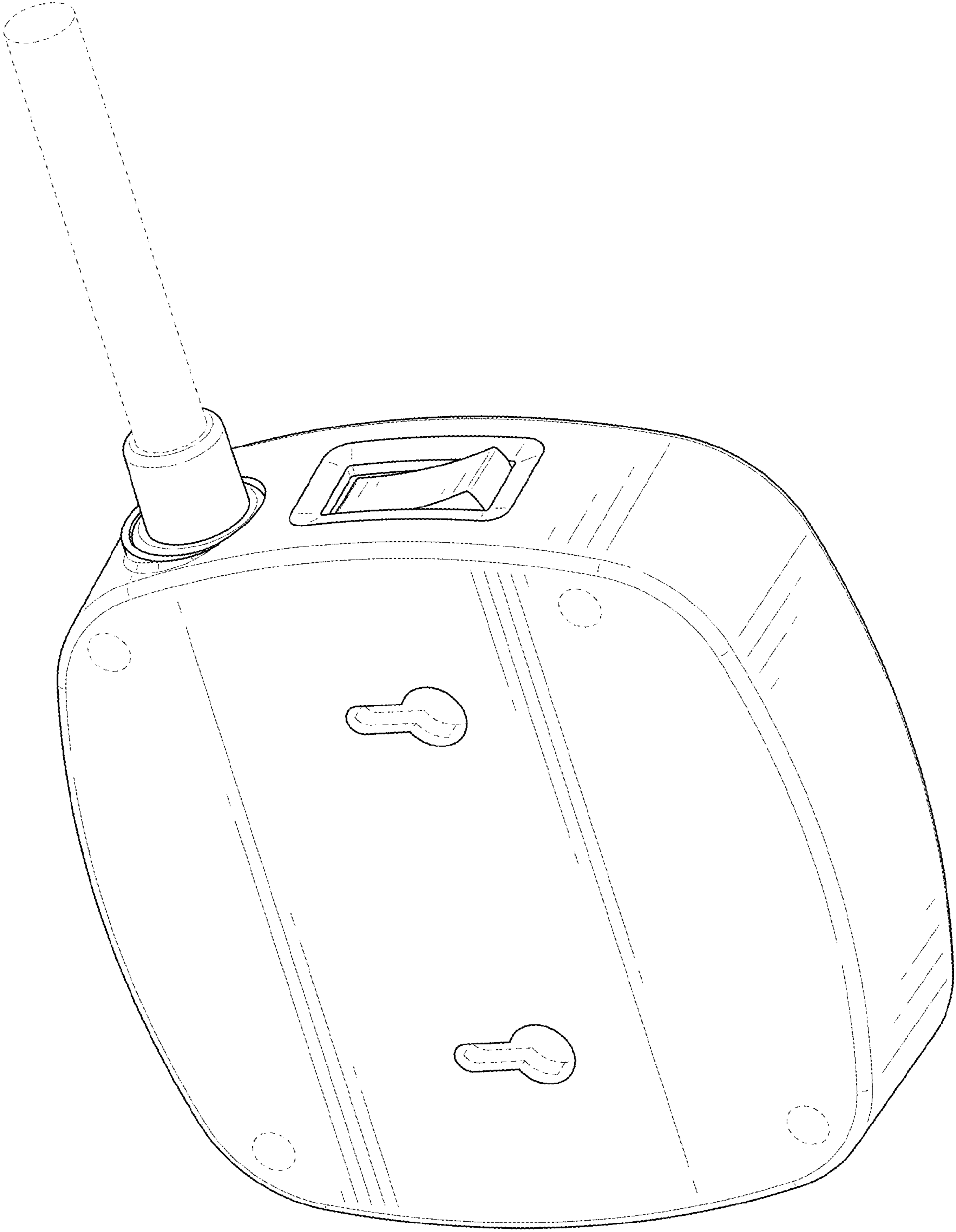


FIG. 2

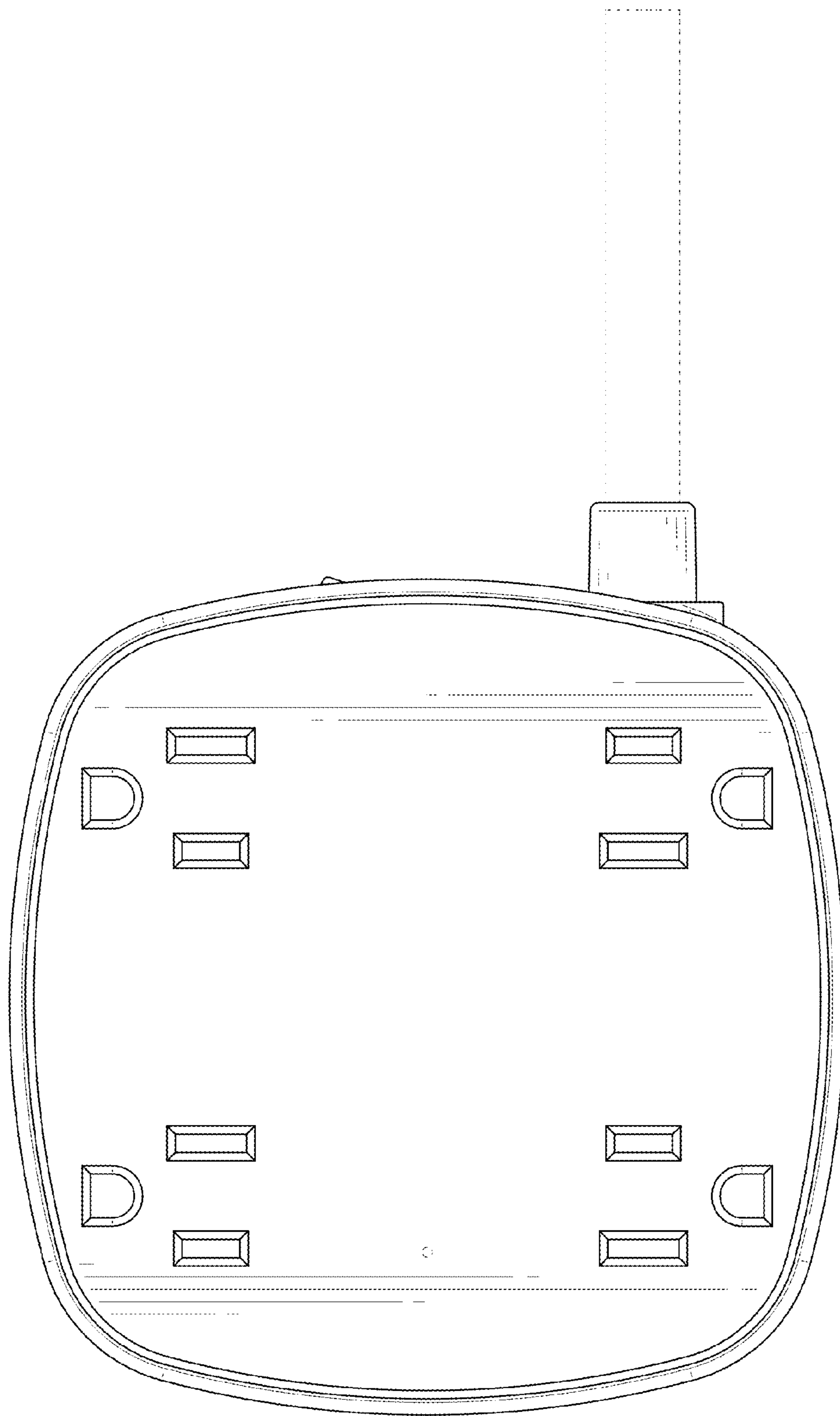


FIG. 3



FIG. 4

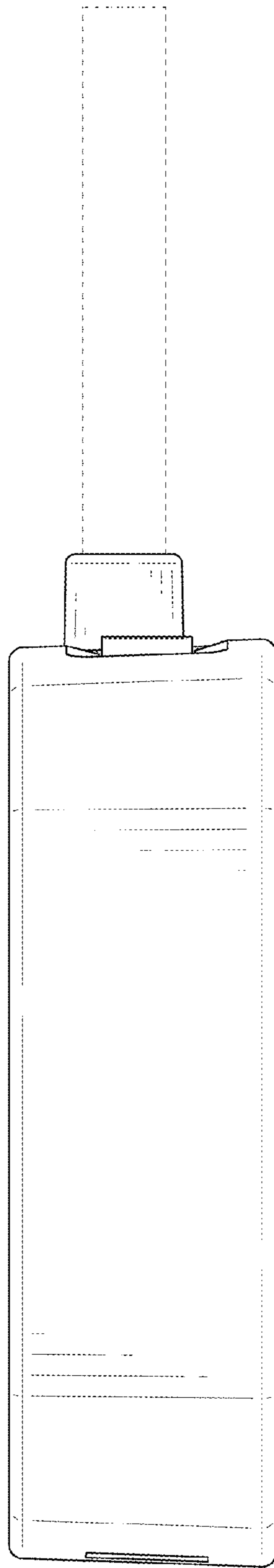


FIG. 5

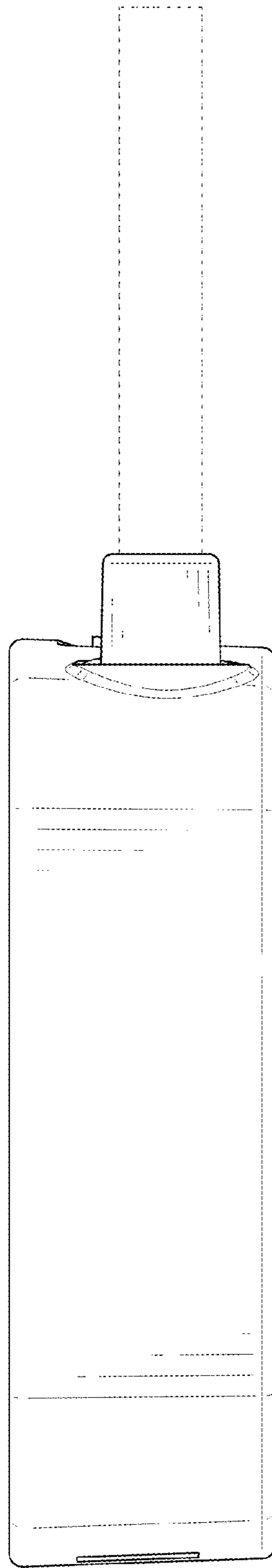


FIG. 6

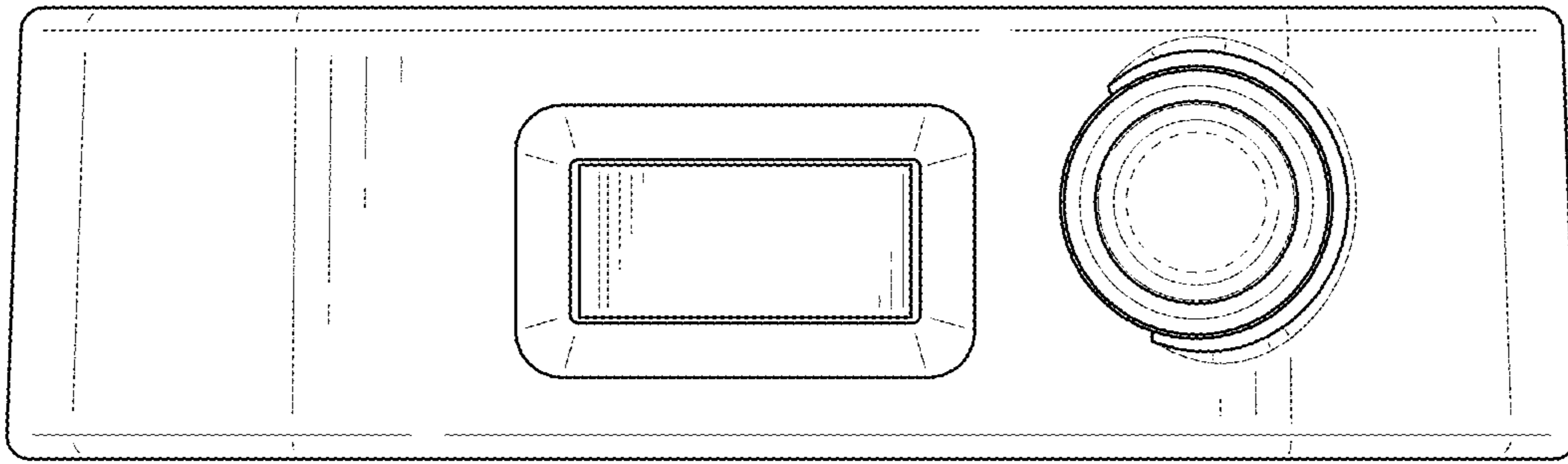


FIG. 7

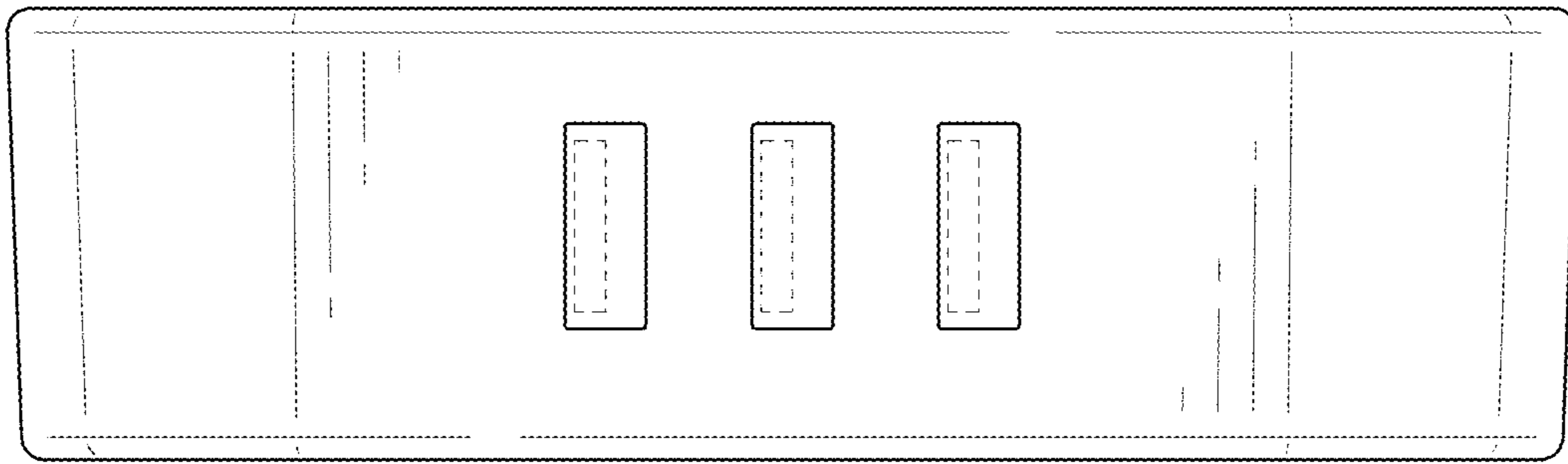


FIG. 8

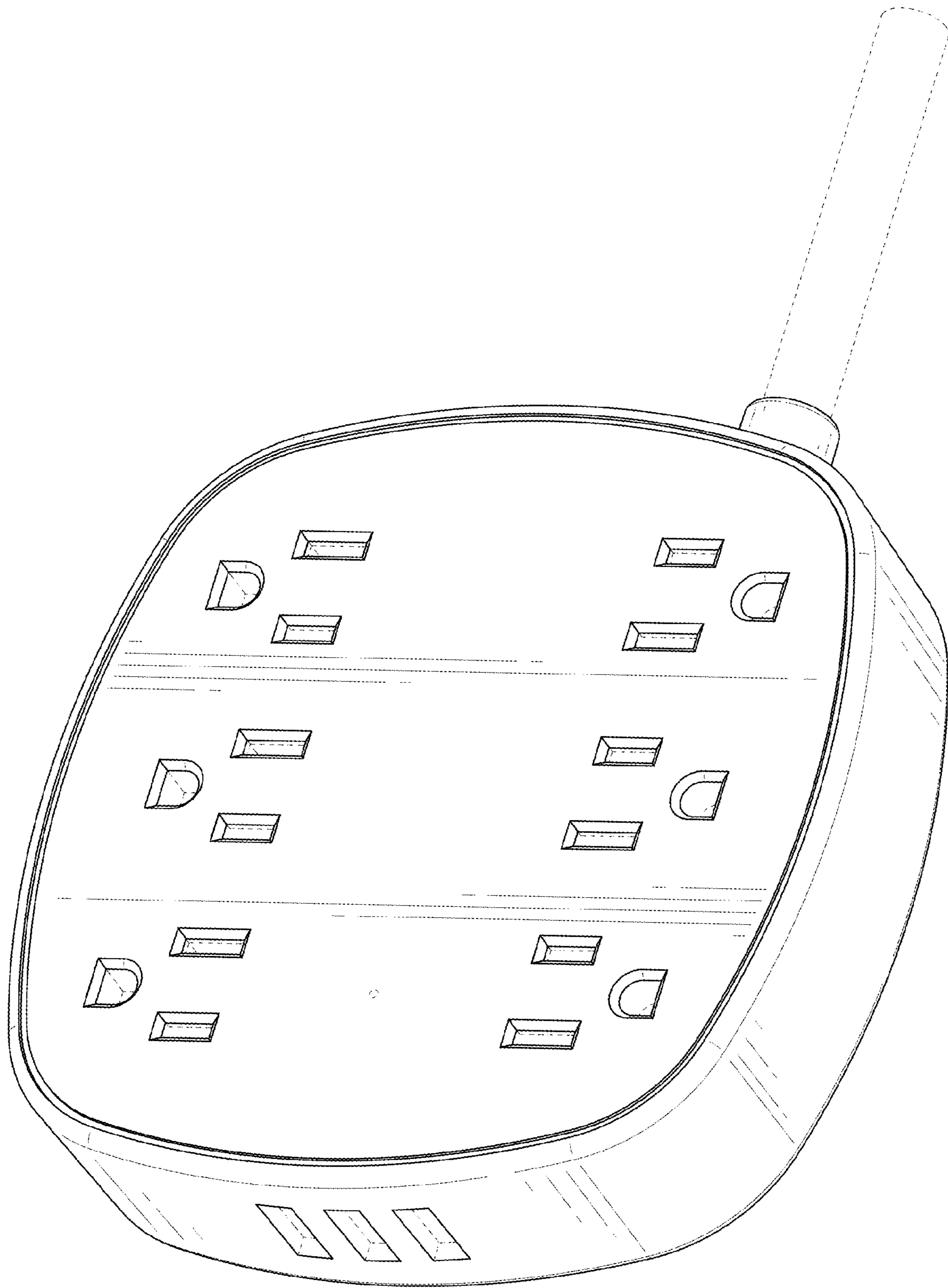


FIG. 9

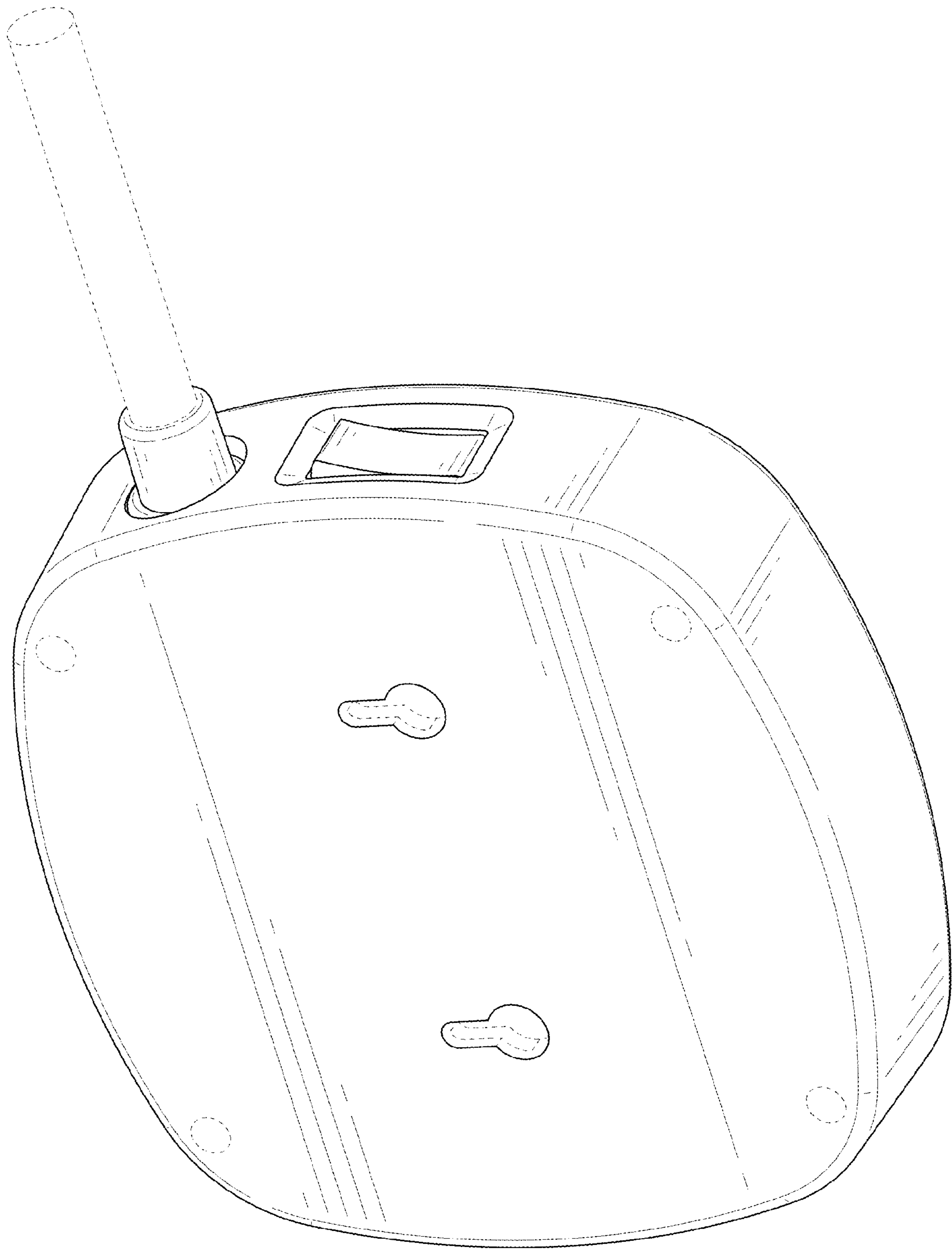


FIG. 10

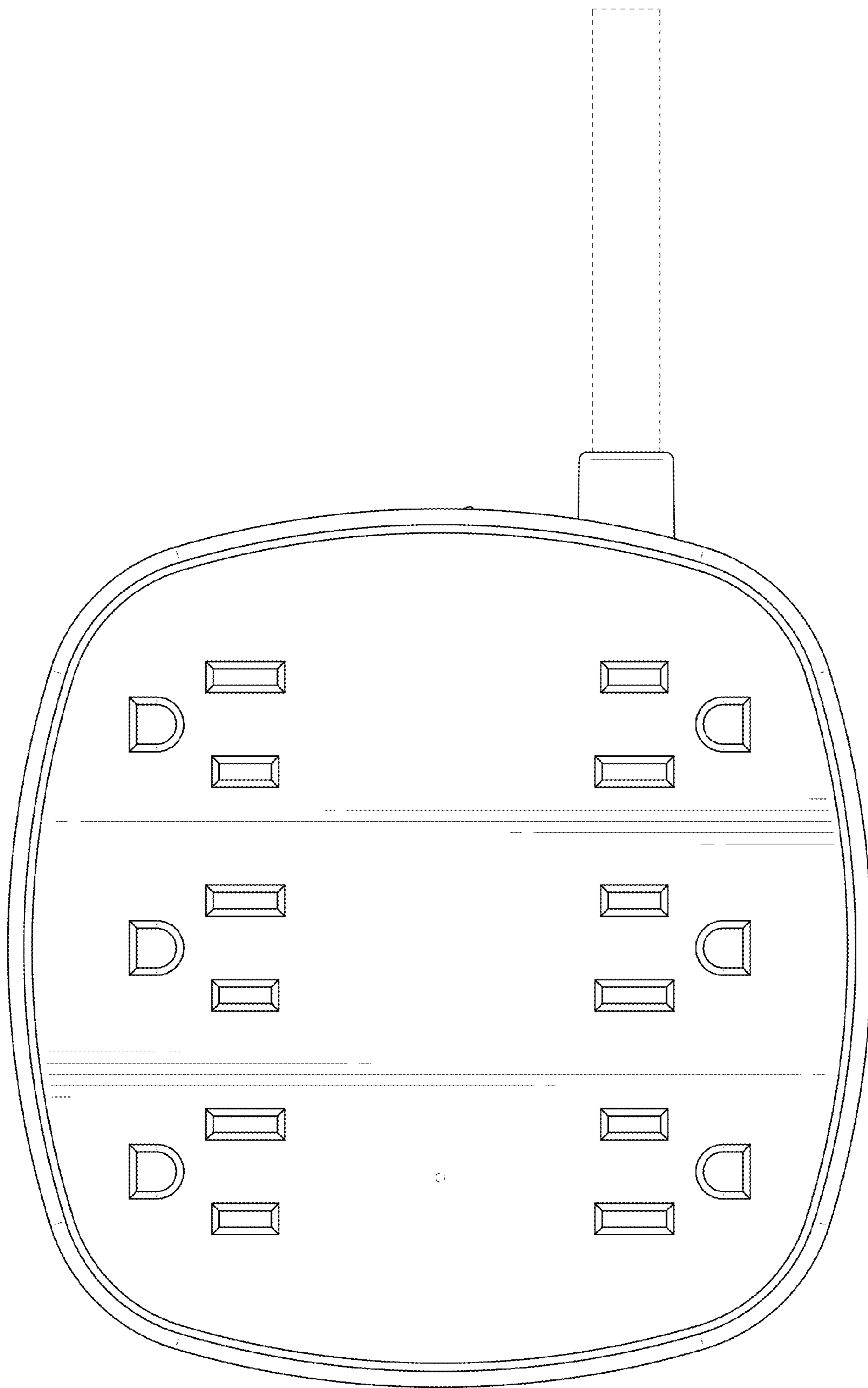


FIG. 11

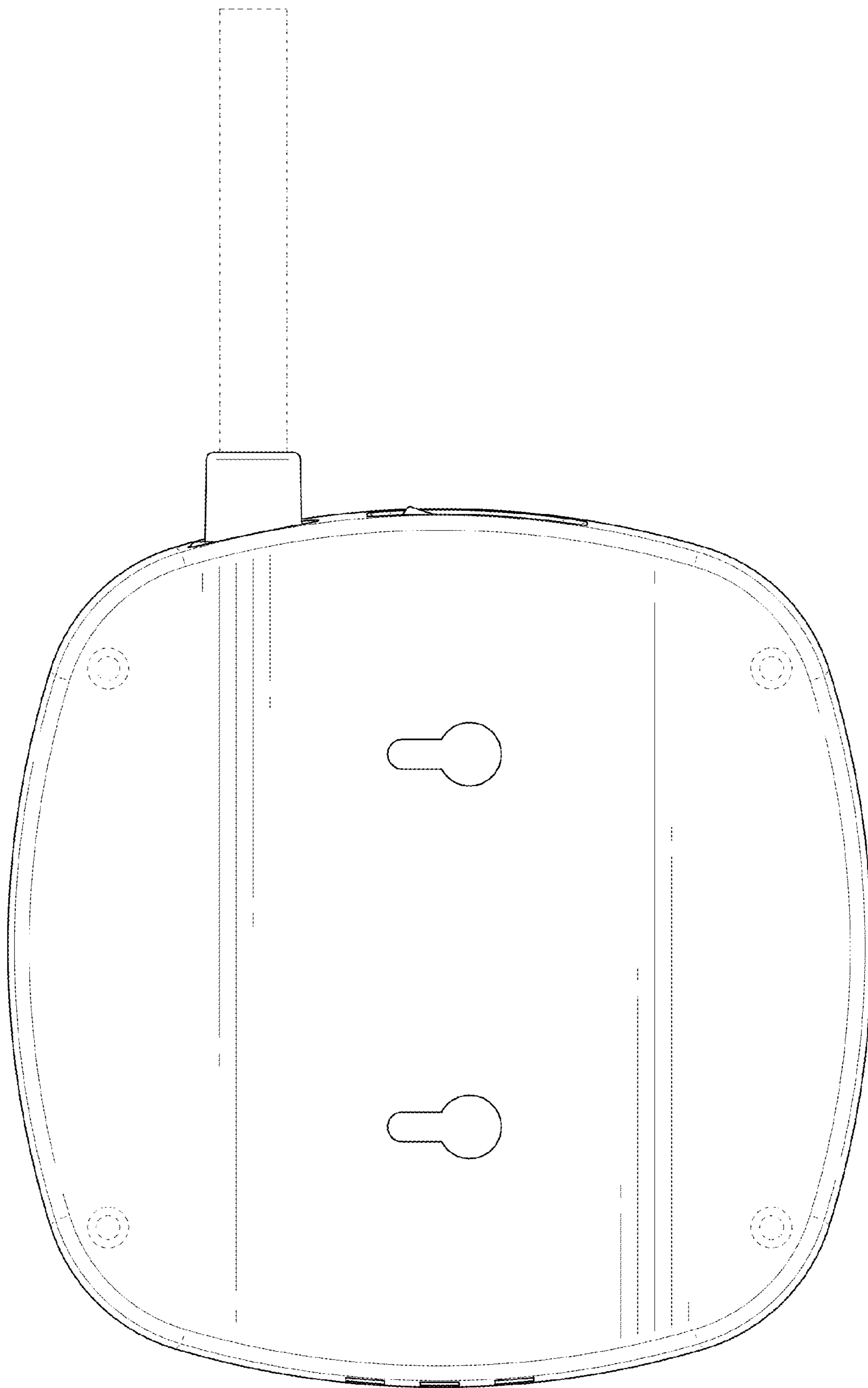


FIG. 12

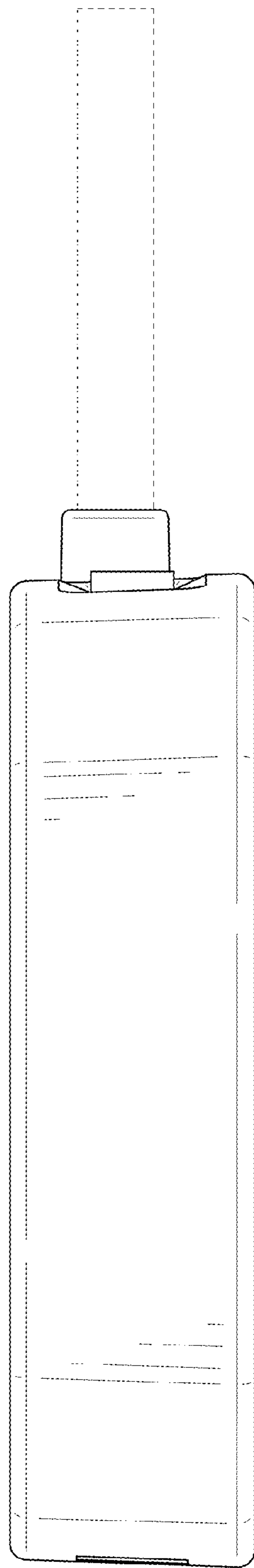


FIG. 13

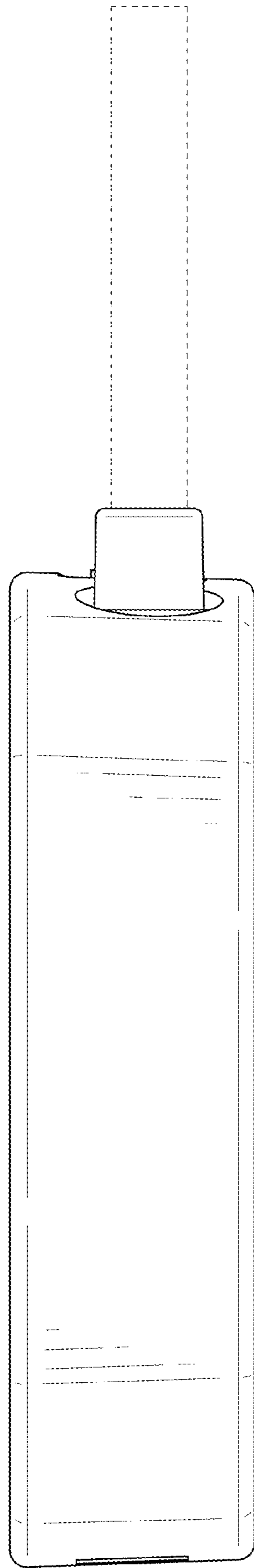


FIG. 14

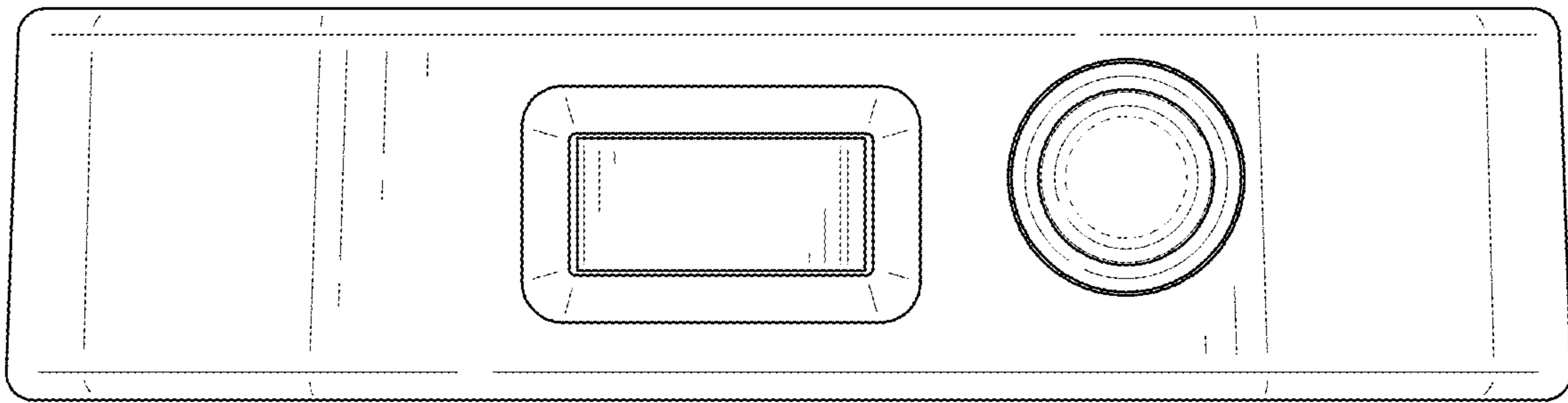


FIG. 15

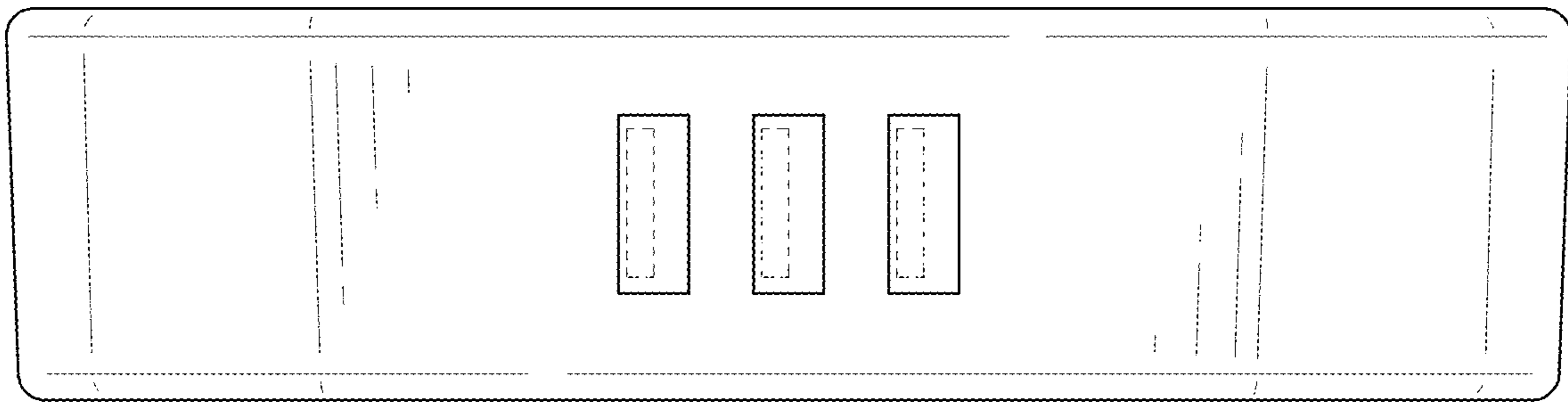


FIG. 16