

US00D900747S

(12) **United States Design Patent**
Huang

(10) **Patent No.:** **US D900,747 S**

(45) **Date of Patent:** **** Nov. 3, 2020**

(54) **UNIVERSAL TRAVEL ADAPTER**
(71) Applicant: **DONGGUAN WONTRAVEL ELECTRIC CO., LTD.**, Dongguan, Guangdong (CN)

(72) Inventor: **Shuyan Huang**, Dongguan (CN)

(73) Assignee: **DONGGUAN WONTRAVEL ELECTRIC CO., LTD.**, Dongguan, Guangdong Province (CN)

(**) Term: **15 Years**

(21) Appl. No.: **29/696,873**

(22) Filed: **Jul. 2, 2019**

(51) **LOC (12) Cl.** **13-03**

(52) **U.S. Cl.**
USPC **D13/137.2**

(58) **Field of Classification Search**
USPC D13/103, 107, 108, 113, 118, 123, 133, D13/137.1-137.4, 139.1-139.7, 153, 154, D13/155; D14/433, 434; D5/56
CPC .. H01R 25/005; H01R 25/006; H01R 25/165; H01R 13/00; H01R 13/03; H01R 13/04; H01R 13/10; H01R 13/35; H01R 13/502; H01R 13/631; H01R 13/6666; H01R 13/6675; H05K 5/00; H05K 5/03
See application file for complete search history.

(56) **References Cited**

U.S. PATENT DOCUMENTS

D480,358 S * 10/2003 Klant D13/110
D623,595 S * 9/2010 Ruffner D13/139.1
D657,314 S * 4/2012 Ruffner D13/139.1
D682,220 S * 5/2013 Lee D13/152
D683,315 S * 5/2013 Carlucci D13/146
D701,833 S * 4/2014 Carlucci D13/133
9,235,223 B2 * 1/2016 Carlucci G05F 1/45
D805,479 S * 12/2017 Lin D13/137.2
D829,663 S * 10/2018 Liu D13/137.2

D830,307 S * 10/2018 Liu D13/137.2
D838,245 S * 1/2019 Lin D13/137.2
D841,653 S * 2/2019 Lin D14/433
D841,654 S * 2/2019 Lin D14/433

(Continued)

FOREIGN PATENT DOCUMENTS

CN 304197513 * 7/2017

OTHER PUBLICATIONS

Travel Plug, Nov. 30, 2016, [online], [site visited Aug. 24, 2020], Available from Internet URL: <https://www.amazon.com/Power-Plug-Adapter-International-SublimeWare/dp/B01N59M473/> (Year: 2016).*

(Continued)

Primary Examiner — Karen E Kearney

Assistant Examiner — Michael Chong

(74) *Attorney, Agent, or Firm* — Li & Cai Intellectual Property (USA) Office

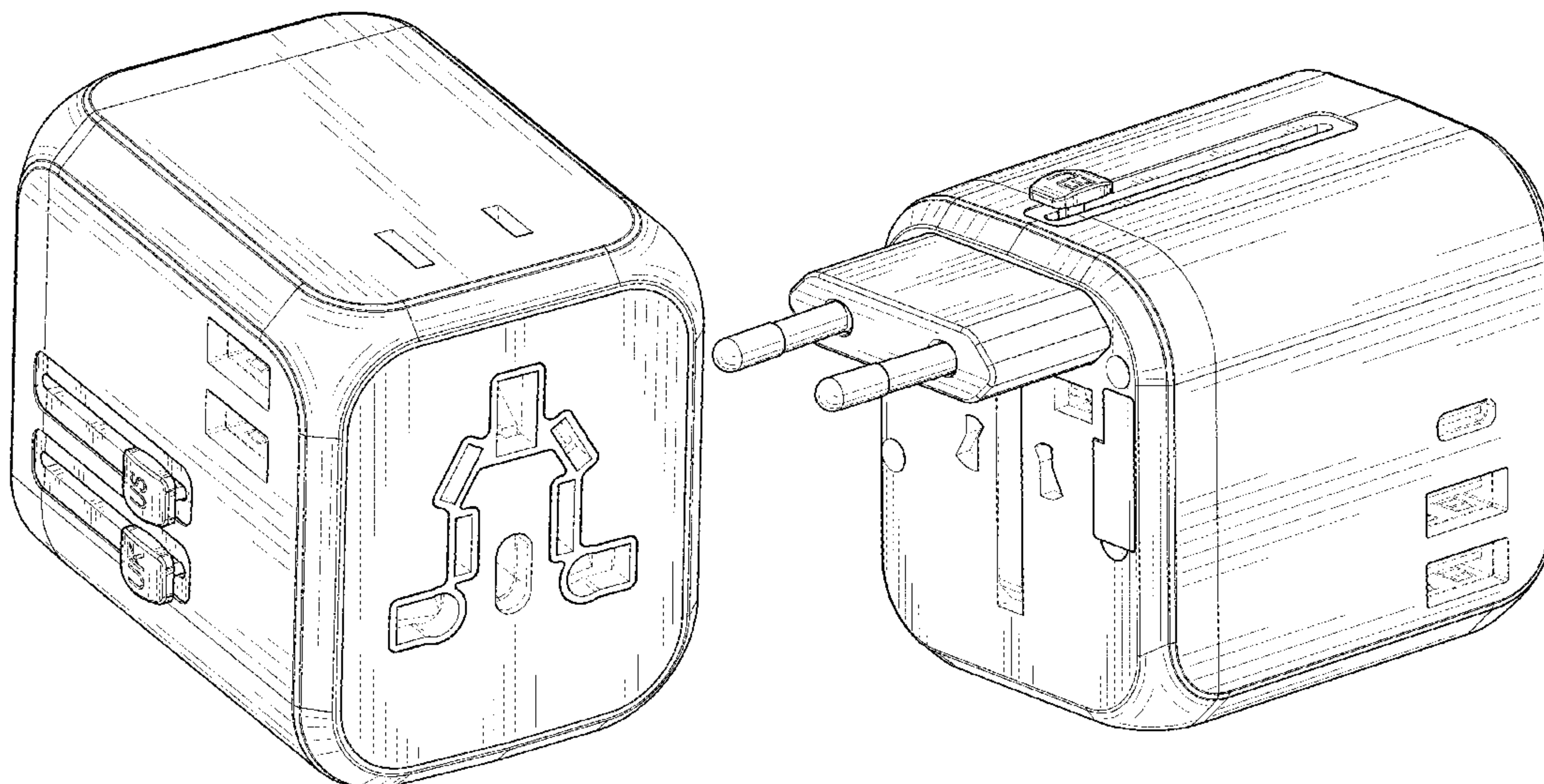
(57) **CLAIM**

The ornamental design for a universal travel adapter, as shown and described.

DESCRIPTION

FIG. 1 is a front, top and right perspective view of a universal travel adapter showing my new design; FIG. 2 is a front elevational view thereof; FIG. 3 is a rear elevational view thereof; FIG. 4 is a left elevational view thereof; FIG. 5 is a right elevational view thereof; FIG. 6 is a top plan view thereof; FIG. 7 is a bottom plan view thereof; and, FIG. 8 is a rear, bottom and left perspective view thereof with an Europlug being extracted from a housing thereof. The broken lines depict portions of the universal travel adapter in which the design is embodied that form no part of the claimed design.

1 Claim, 8 Drawing Sheets



(56)

References Cited

U.S. PATENT DOCUMENTS

D848,947 S * 5/2019 Liu D13/137.2
D851,596 S * 6/2019 Koch D13/133
D855,571 S * 8/2019 Zeng D13/137.2
D856,933 S * 8/2019 Lin D13/137.2
D858,446 S * 9/2019 Liu D13/137.2
D863,223 S * 10/2019 Zeng D13/137.2
D873,218 S * 1/2020 Liu D13/110
D882,520 S * 4/2020 Little D13/137.2
10,686,285 B2 * 6/2020 Cai H01R 31/06
D892,055 S * 8/2020 Wang D13/137.2
2019/0312395 A1 * 10/2019 Barnett H01R 31/06

OTHER PUBLICATIONS

Travel Adaptor, Apr. 29, 2016, [online], [site visited Aug. 24, 2020], Available from Internet URL: <https://www.amazon.com/Adapter-Worldwide-Universal-Adaptor-Charging/dp/B01DJ140LQ> (Year: 2016).*

Travel Adapter, Jan. 14, 2020 [online], [site visited Aug. 24, 2020], Available from Internet URL: <https://www.amazon.cm/dp/B083TTDLZ/> (Year: 2020).*

International Travel Adapter, Dec. 13, 2018 [online], [site visited Aug. 24, 2020], Available from Internet URL: <https://www.amazon.com/International-Adapter-Worldwide-Charging-countries/dp/B084M5LDFG/>.*

* cited by examiner

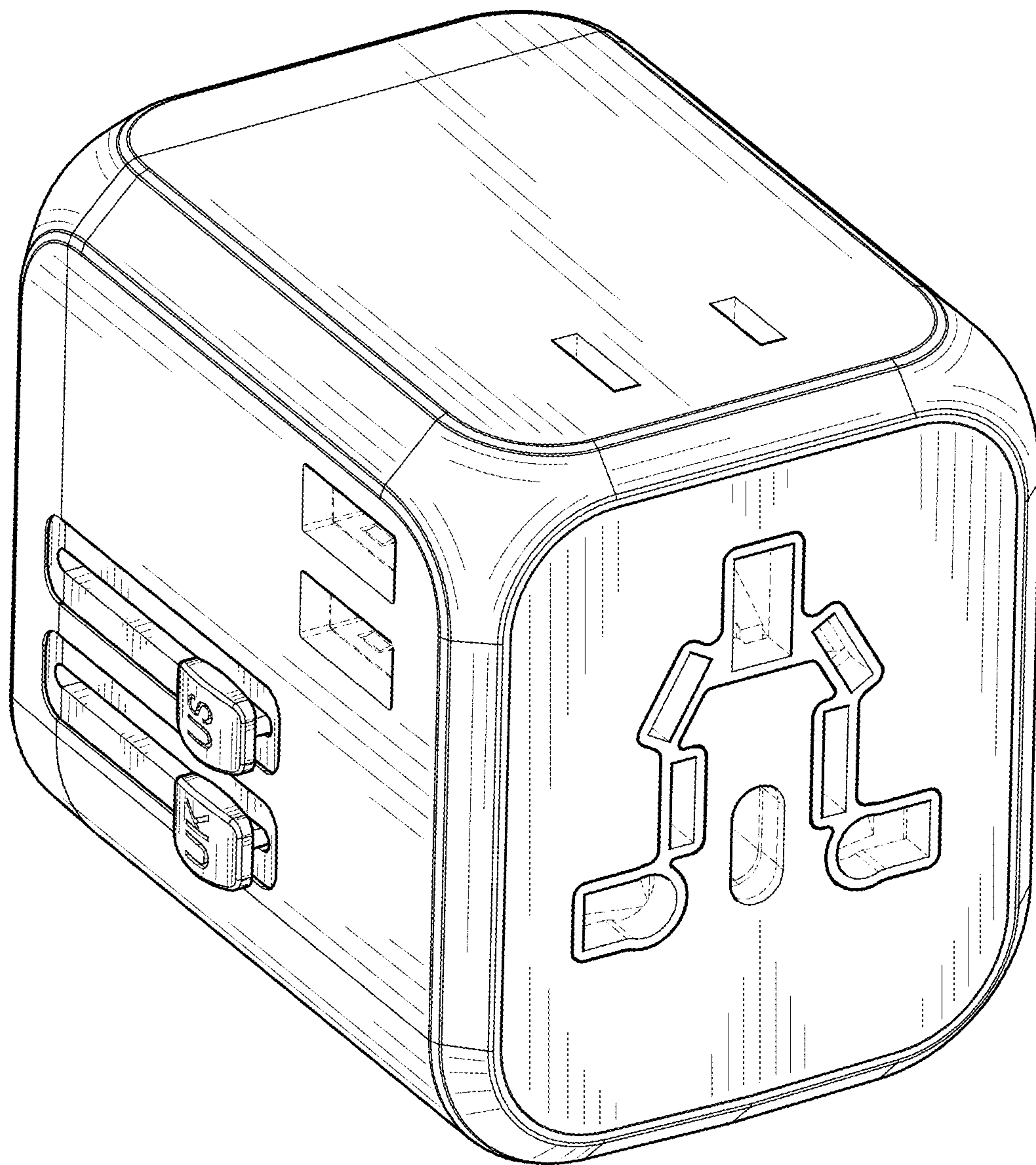


FIG. 1

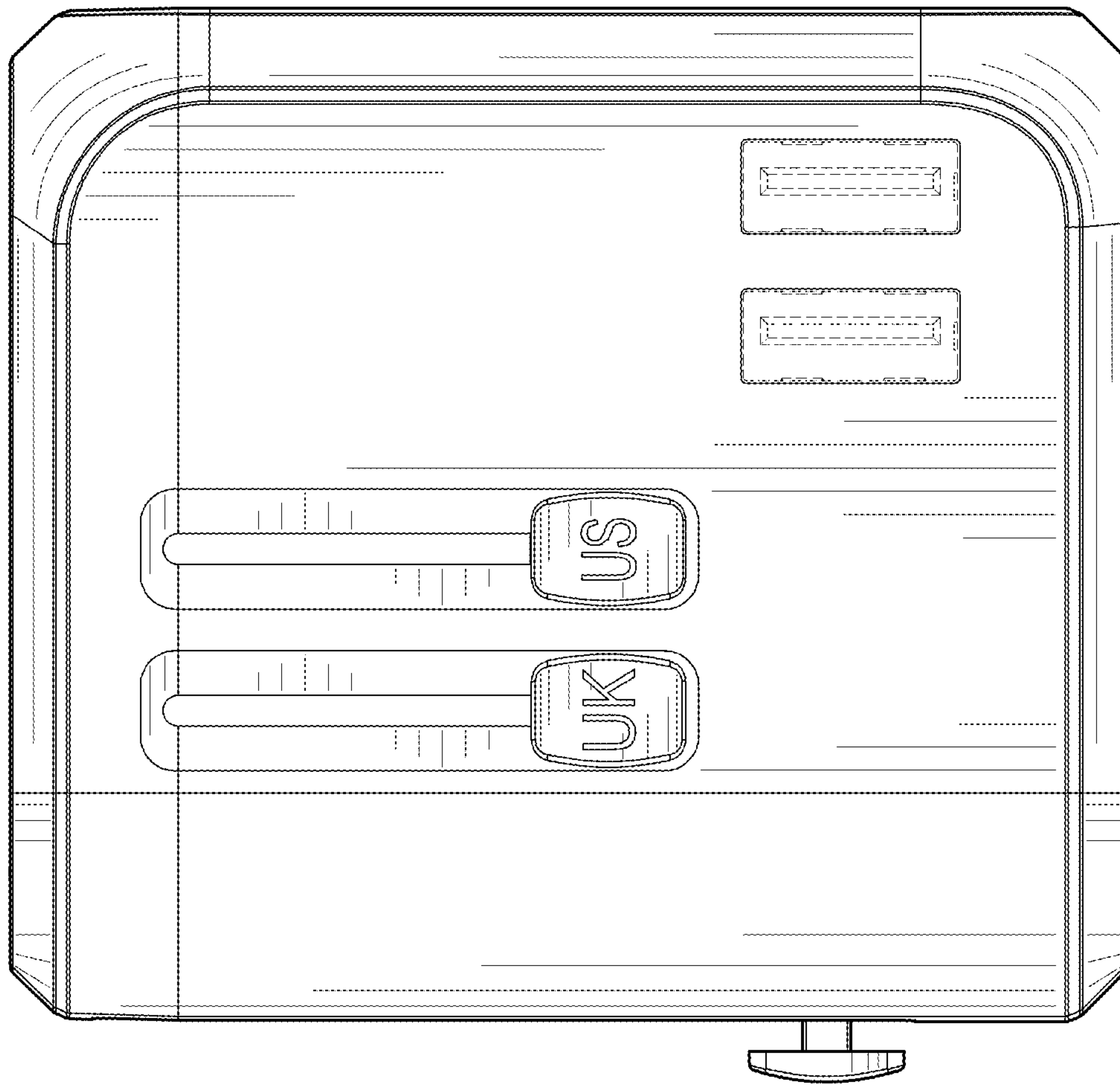


FIG. 2

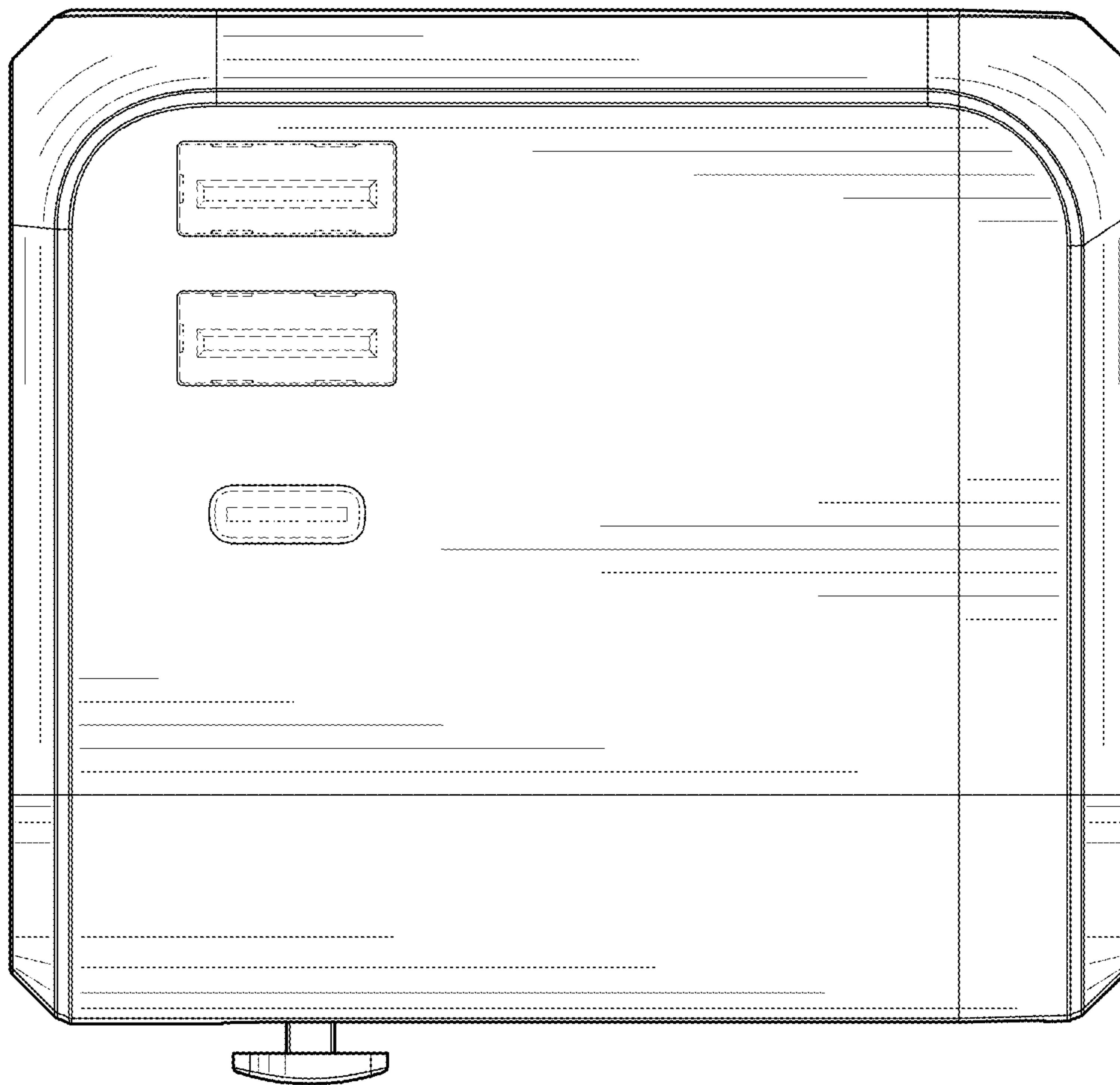


FIG. 3

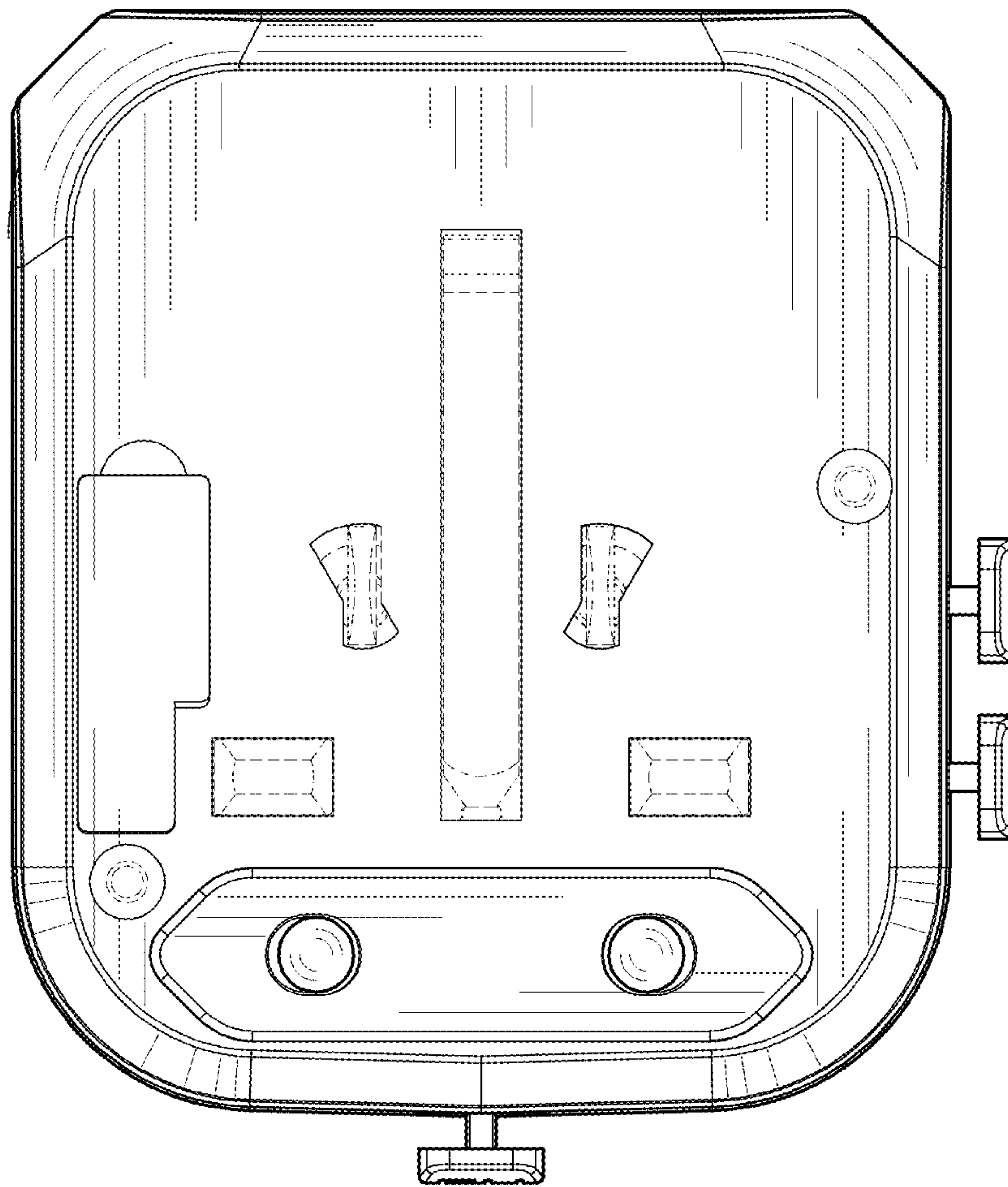


FIG. 4

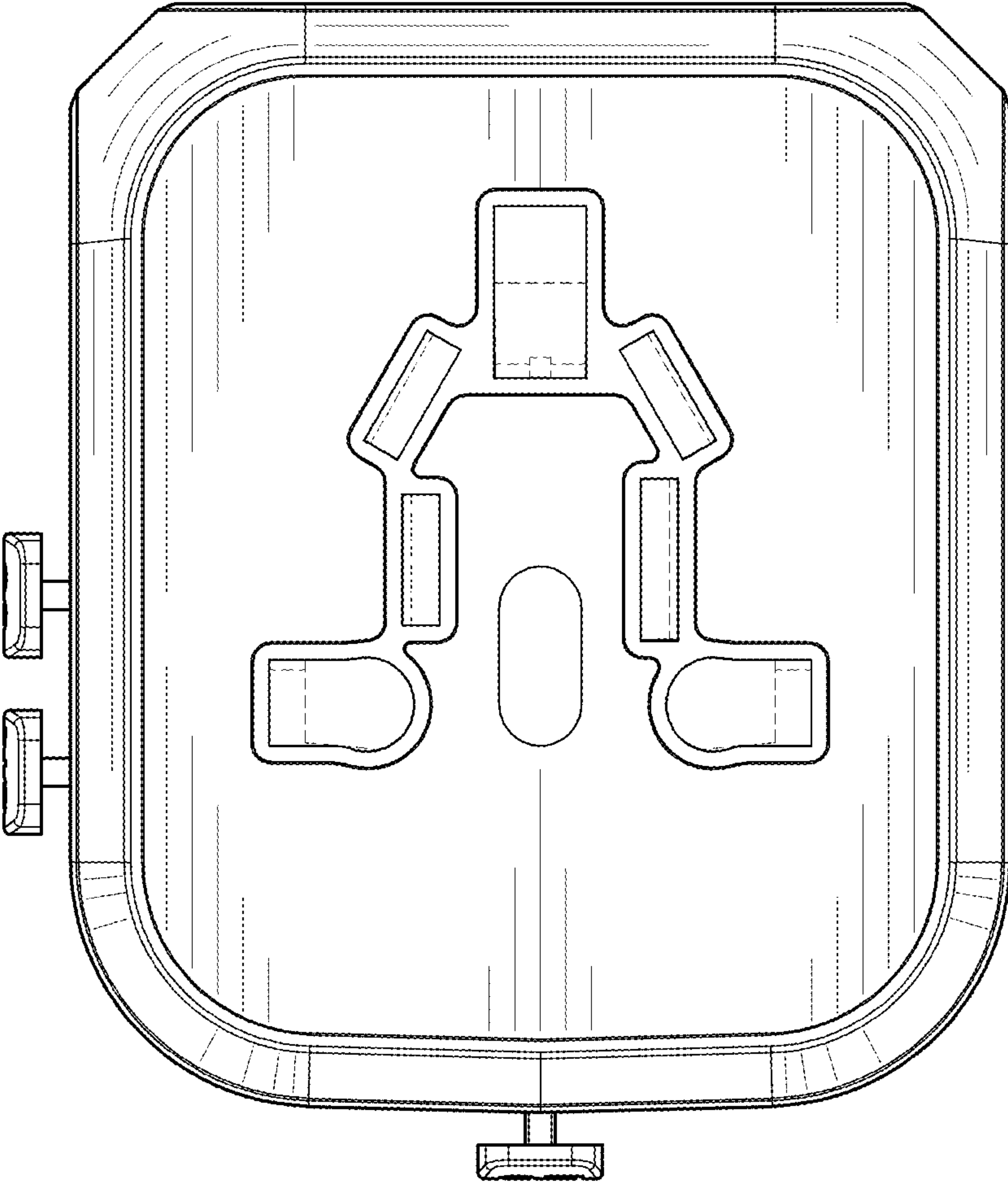


FIG. 5

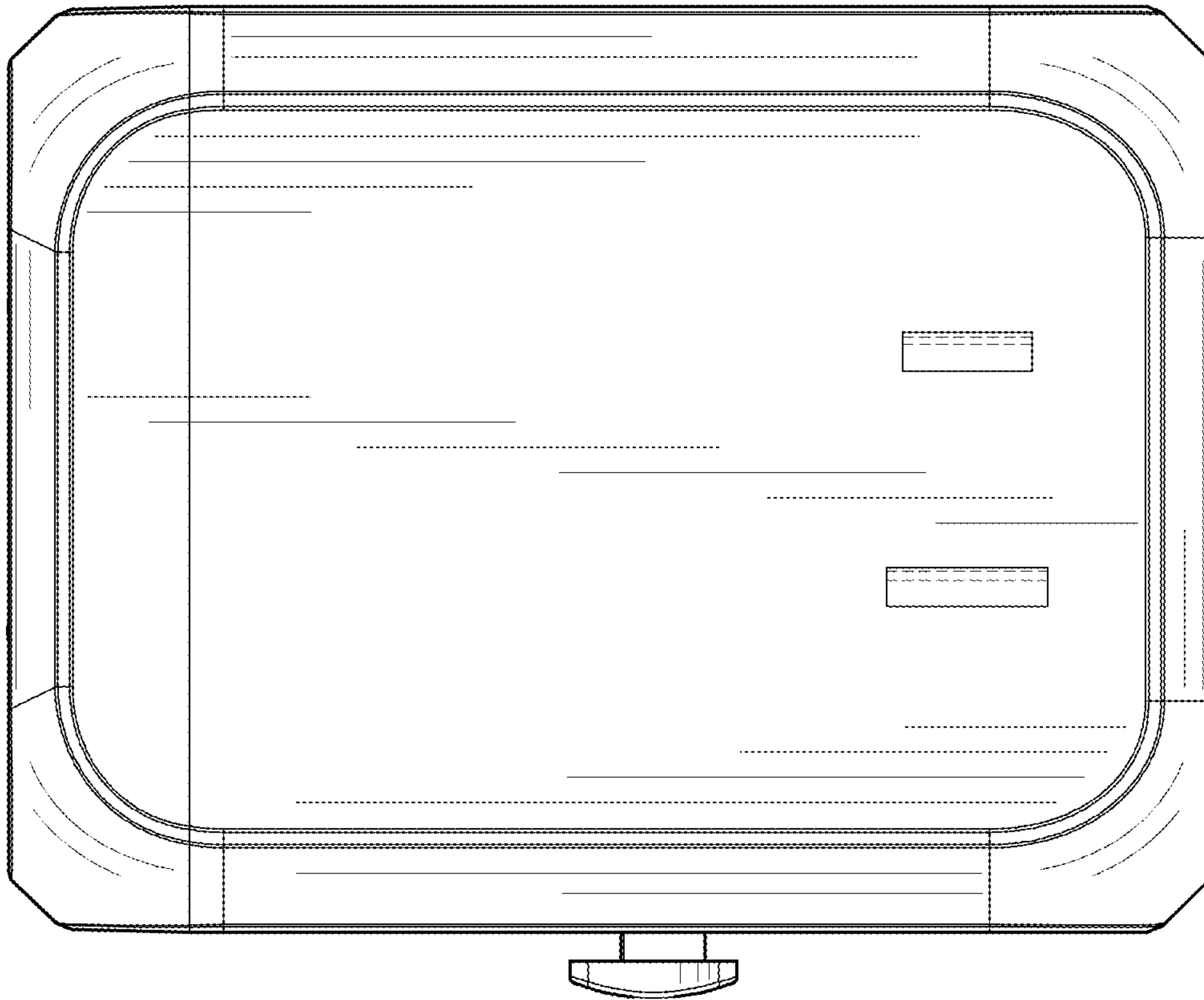


FIG. 6

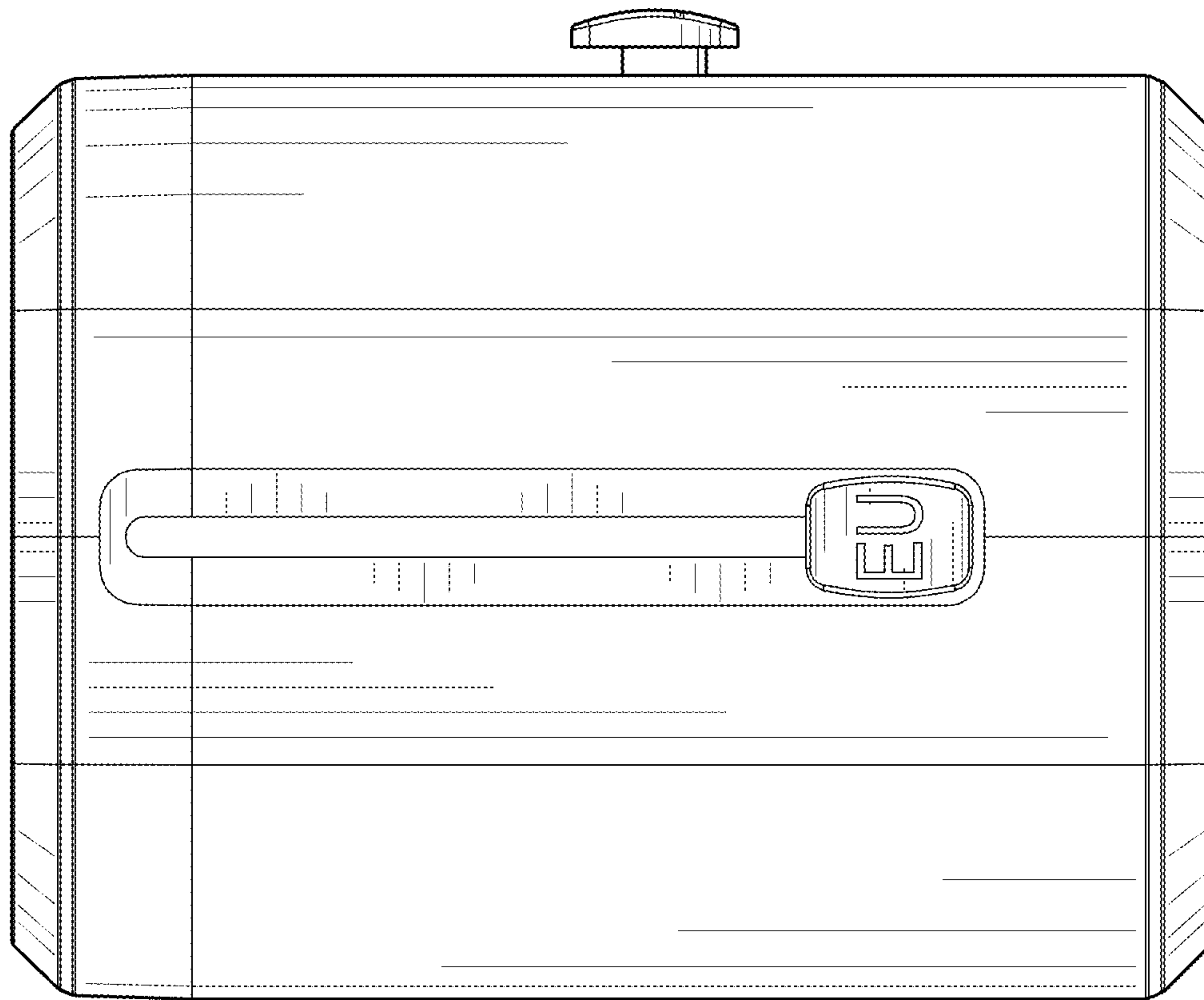


FIG. 7



FIG. 8