



US00D900744S

(12) **United States Design Patent** (10) **Patent No.:** **US D900,744 S**
Klein (45) **Date of Patent:** **** Nov. 3, 2020**

(54) **BATTERY TAB**
(71) Applicant: **DURACELL U.S. OPERATIONS, INC.**, Wilmington, DE (US)
(72) Inventor: **David N. Klein**, Bethel, CT (US)
(73) Assignee: **DURACELL U.S. OPERATIONS, INC.**, Wilmington, DE (US)
(**) Term: **15 Years**
(21) Appl. No.: **29/728,149**
(22) Filed: **Mar. 16, 2020**

7,405,014 B2 7/2008 Bartling et al.
7,410,059 B2 * 8/2008 Nakatsu B65D 75/327
206/471
7,563,531 B2 7/2009 Bartling et al.
D690,351 S 9/2013 Sato et al.
(Continued)

FOREIGN PATENT DOCUMENTS

CN 105024112 A 11/2015
DE 19724648 A1 12/1998
(Continued)

OTHER PUBLICATIONS

Duracell EasyTab Hearing Aid Batteries, downloaded from the Internet at: <<https://www.duracell-me.com/products/hearing-aid-batteries/>>.
(Continued)

Primary Examiner — Derrick E Holland
(74) *Attorney, Agent, or Firm* — Marshall, Gerstein & Borun LLP

Related U.S. Application Data

(62) Division of application No. 29/605,496, filed on May 26, 2017, now Pat. No. Des. 878,295.
(51) **LOC (12) Cl.** **13-02**
(52) **U.S. Cl.**
USPC **D13/119**
(58) **Field of Classification Search**
USPC D13/118, 119, 156, 184, 199; D19/1, 4, D19/6, 9, 10, 12; D9/416, 707, 732, 902
CPC H01M 12/02; H01M 2/1005; H01M 2220/30; A61F 2013/008; A61F 2013/00289; A61F 2/0095; Y10T 24/45215; Y10T 24/45241; A61B 2050/0065; A61B 2050/314; A61B 2050/3015; B65D 73/0014; B65D 75/367; B65D 83/04; B65D 83/0454
See application file for complete search history.

(57) **CLAIM**

The ornamental design for a battery tab, as shown and described.

DESCRIPTION

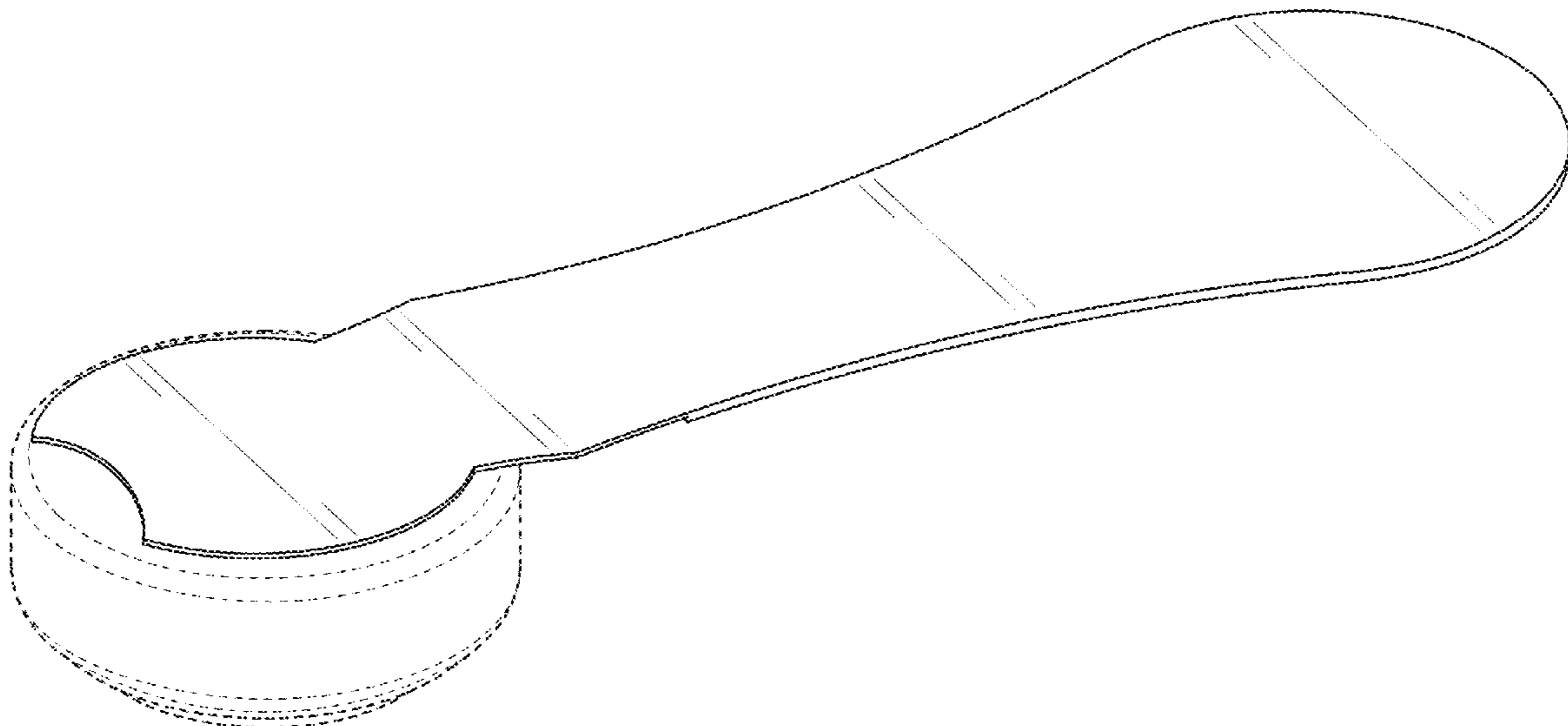
FIG. 1 is a perspective view of a battery tab according to our new ornamental design;
FIG. 2 is a front view of the battery tab of FIG. 1;
FIG. 3 is a rear view of the battery tab of FIG. 1;
FIG. 4 is a left side view of the battery tab of FIG. 1;
FIG. 5 is a right side view of the battery tab of FIG. 1;
FIG. 6 is a top view of the battery tab of FIG. 1; and
FIG. 7 is a bottom view of the battery tab of FIG. 1.
The broken lines in the drawings show the boundaries of the claimed design and/or environmental structures of the battery tab that form no part of the claimed design.

(56) **References Cited**

U.S. PATENT DOCUMENTS

D270,807 S 10/1983 Dilliner
4,649,090 A 3/1987 Oltman et al.
D361,745 S * 8/1995 Geroux D13/120
6,329,095 B1 12/2001 Farnworth et al.
D553,675 S 10/2007 Hogg

1 Claim, 7 Drawing Sheets



(56)

References Cited

U.S. PATENT DOCUMENTS

D700,237 S * 2/2014 Mayer D19/2
D751,386 S * 3/2016 Markle D9/434
D774,202 S 12/2016 Bielitz
D788,703 S 6/2017 Krysinski et al.
10,093,469 B2 * 10/2018 Dorr B65D 73/0014
D841,196 S * 2/2019 Thompson D26/23
D878,295 S 3/2020 Klein
2005/0103680 A1 5/2005 Nakatsu et al.
2006/0292427 A1 12/2006 Bartling et al.
2012/0312833 A1 12/2012 Gabathuler
2013/0015197 A1 1/2013 Gauthier
2016/0329536 A1 11/2016 Dorr et al.

FOREIGN PATENT DOCUMENTS

JP 2017-075231 A 4/2017
WO WO-98/49063 A2 11/1998
WO WO-02/33774 A2 4/2002
WO WO-2004/021471 A1 3/2004
WO WO-2016/172676 A1 10/2016

OTHER PUBLICATIONS

Duracell Hearing Aid Batteries, YouTube Video, downloaded from the Internet at: <<https://www.youtube.com/watch?v=alqn6lyoe2g>> (Oct. 15, 2014).

* cited by examiner

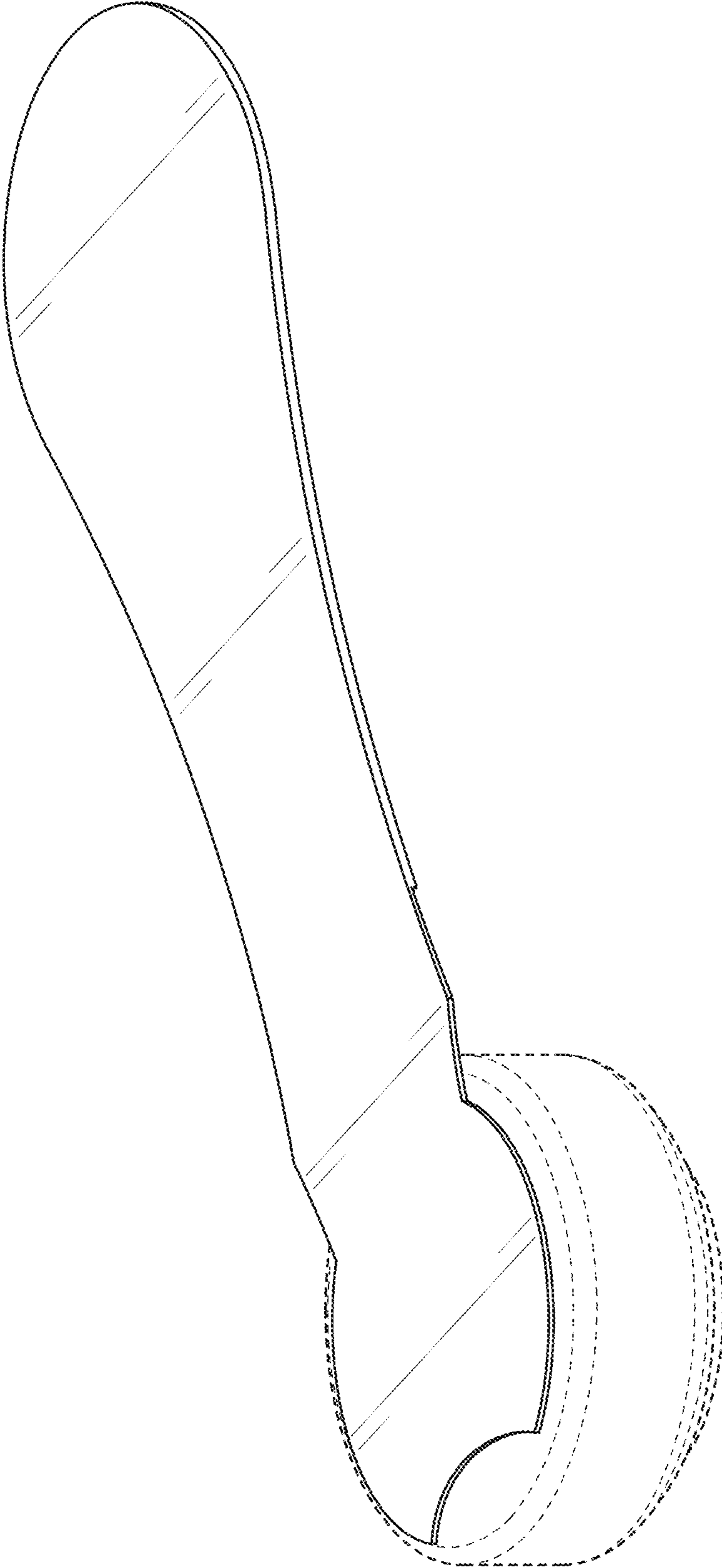


FIG. 1

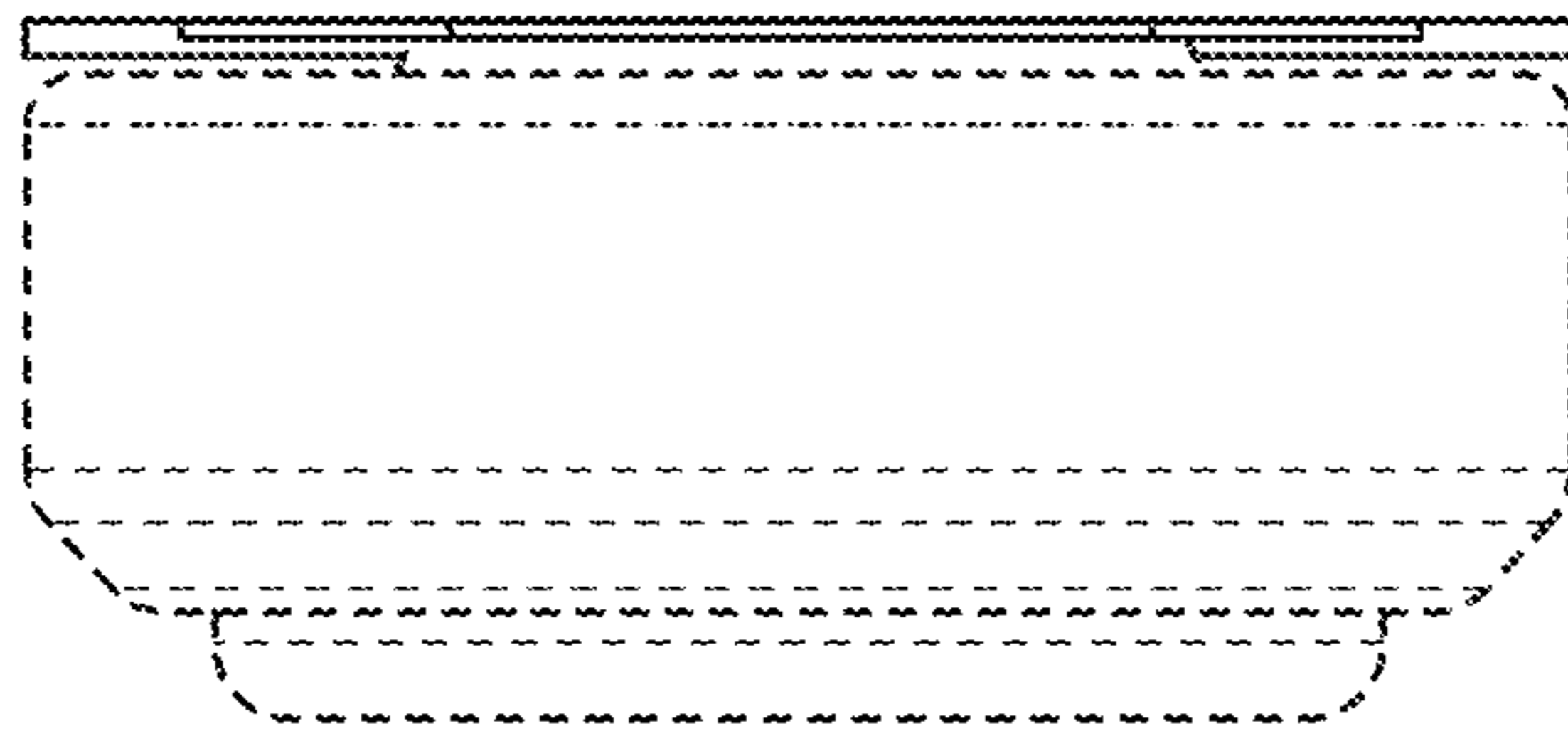


FIG. 2

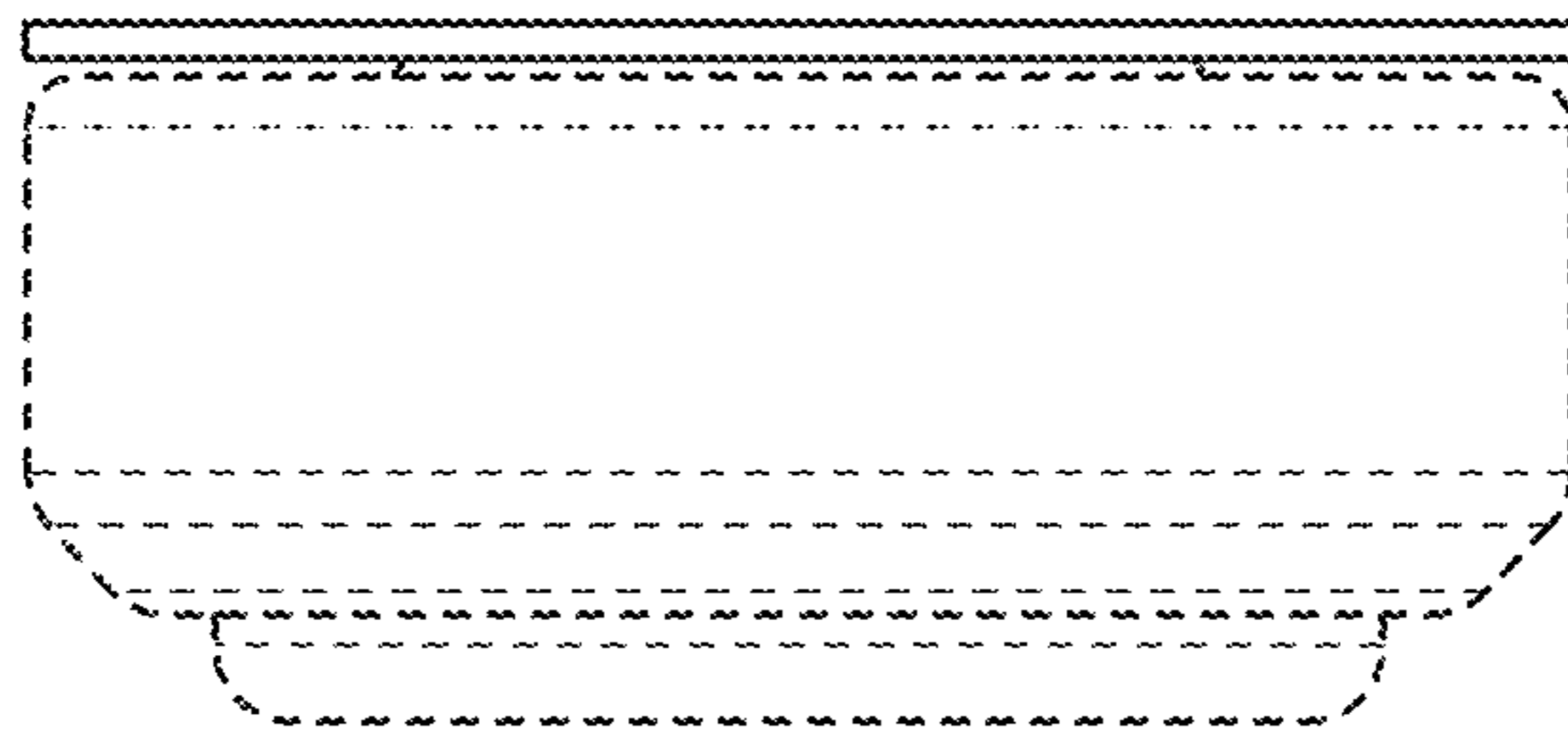


FIG. 3

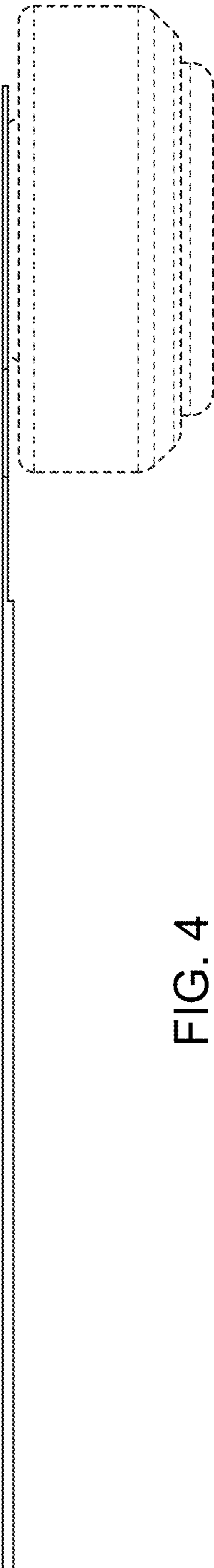


FIG. 4

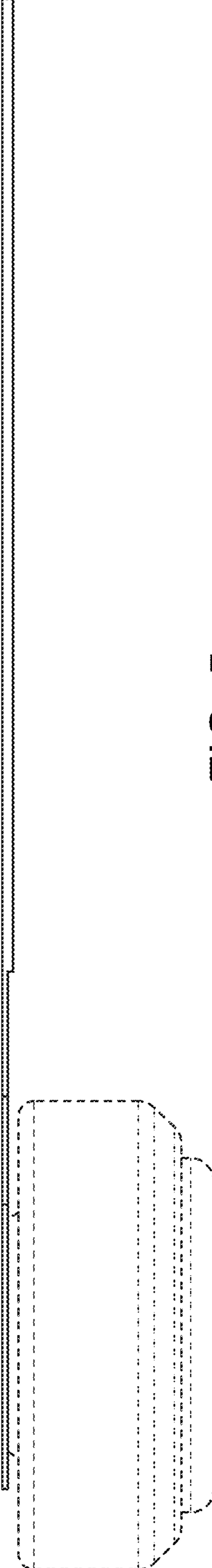


FIG. 5

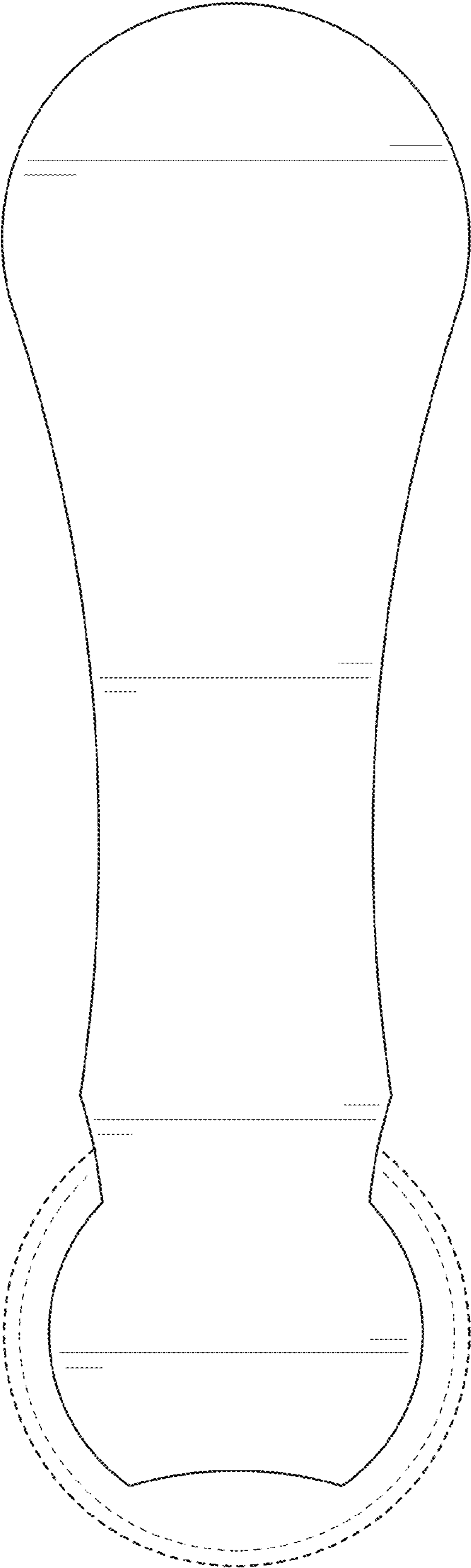


FIG. 6

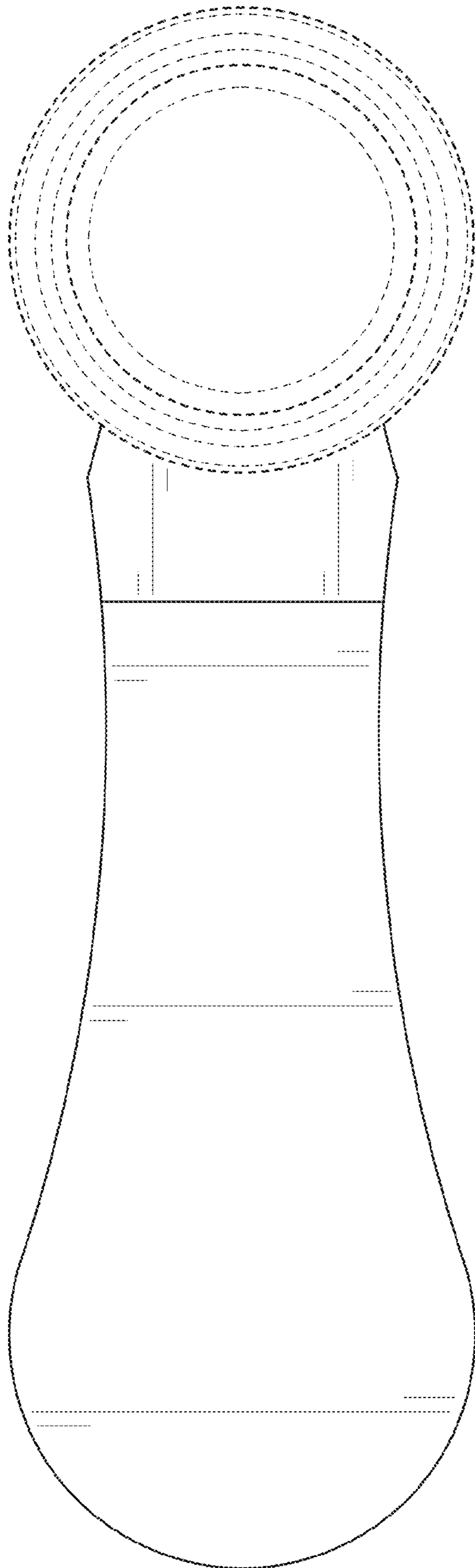


FIG. 7