



US00D900743S

(12) **United States Design Patent** (10) **Patent No.:** **US D900,743 S**
Tsukamoto et al. (45) **Date of Patent:** **** Nov. 3, 2020**

(54) **ELECTRIC DISCHARGE MACHINE**

(71) Applicant: **Mitsubishi Electric Corporation,**
Tokyo (JP)

(72) Inventors: **Naoya Tsukamoto,** Tokyo (JP);
Takashi Yuzawa, Tokyo (JP); **Yoichi Otomo,** Tokyo (JP)

(73) Assignee: **Mitsubishi Electric Corporation,**
Tokyo (JP)

(**) Term: **15 Years**

(21) Appl. No.: **29/649,737**

(22) Filed: **Jun. 1, 2018**

(30) **Foreign Application Priority Data**

Dec. 11, 2017 (JP) 2017-027593

(51) **LOC (12) Cl.** **13-02**

(52) **U.S. Cl.**
USPC **D13/114**

(58) **Field of Classification Search**
USPC D13/102, 110, 112, 116; D14/137, 168,
D14/188, 189; D24/170, 232, 144, 138,
D24/169; D26/37, 38, 39, 40, 41, 42, 43,
D26/44, 45, 46, 47, 48, 49, 50
CPC . A61B 18/1206; A61B 1/1402; A61B 1/1815;
H01R 13/641; G05B 15/02
See application file for complete search history.

(56) **References Cited**

U.S. PATENT DOCUMENTS

10,044,243 B2 * 8/2018 Janscha H02K 7/18
D828,301 S * 9/2018 Wang D13/116
D834,517 S * 11/2018 Fritz D13/116
10,184,349 B2 * 1/2019 Schulte H01P 5/00
10,190,223 B2 * 1/2019 Lin C25B 1/02
10,273,864 B2 * 4/2019 Takahashi F01P 1/06

10,288,251 B2 * 5/2019 Mestre F21S 45/49
10,294,858 B2 * 5/2019 Lan F02B 63/048
10,308,358 B2 * 6/2019 Phan B64C 39/024
10,319,207 B1 * 6/2019 Janscha G08B 5/224
10,361,606 B2 * 7/2019 Sautier F16F 13/105
10,385,463 B2 * 8/2019 Lin C25B 15/08
10,408,115 B2 * 9/2019 Okada F01M 1/02
10,439,463 B2 * 10/2019 Allen H02K 3/505
10,465,300 B2 * 11/2019 Lin A61M 16/107
10,488,169 B2 * 11/2019 Rastegar F42C 11/008
10,495,186 B2 * 12/2019 Lemmers, Jr. F02C 7/36
10,516,321 B2 * 12/2019 Kobayashi H02K 9/22
10,523,092 B2 * 12/2019 Akamatsu H02K 5/225
D875,943 S * 2/2020 Dayton D24/158
D878,293 S * 3/2020 Beyerlein D13/112
D879,037 S * 3/2020 Simon D13/112
D879,717 S * 3/2020 Simon D13/112
D887,005 S * 6/2020 Lin D24/164

* cited by examiner

Primary Examiner — Susan Bennett Hattan

Assistant Examiner — Suzanne E Tisdell

(74) *Attorney, Agent, or Firm* — Studebaker & Brackett
PC

(57) **CLAIM**

The ornamental design for an electric discharge machine, as shown and described.

DESCRIPTION

FIG. 1 is a front, top, and right side perspective view of an electric discharge machine showing our new design;
FIG. 2 is a rear, top, and left side perspective view thereof;
FIG. 3 is a front view thereof;
FIG. 4 is a rear view thereof;
FIG. 5 is a top view thereof;
FIG. 6 is a bottom view thereof;
FIG. 7 is a left side view thereof; and,
FIG. 8 is a right side view thereof.

The parts shown in the broken lines do not form part of the claimed designs.

1 Claim, 8 Drawing Sheets

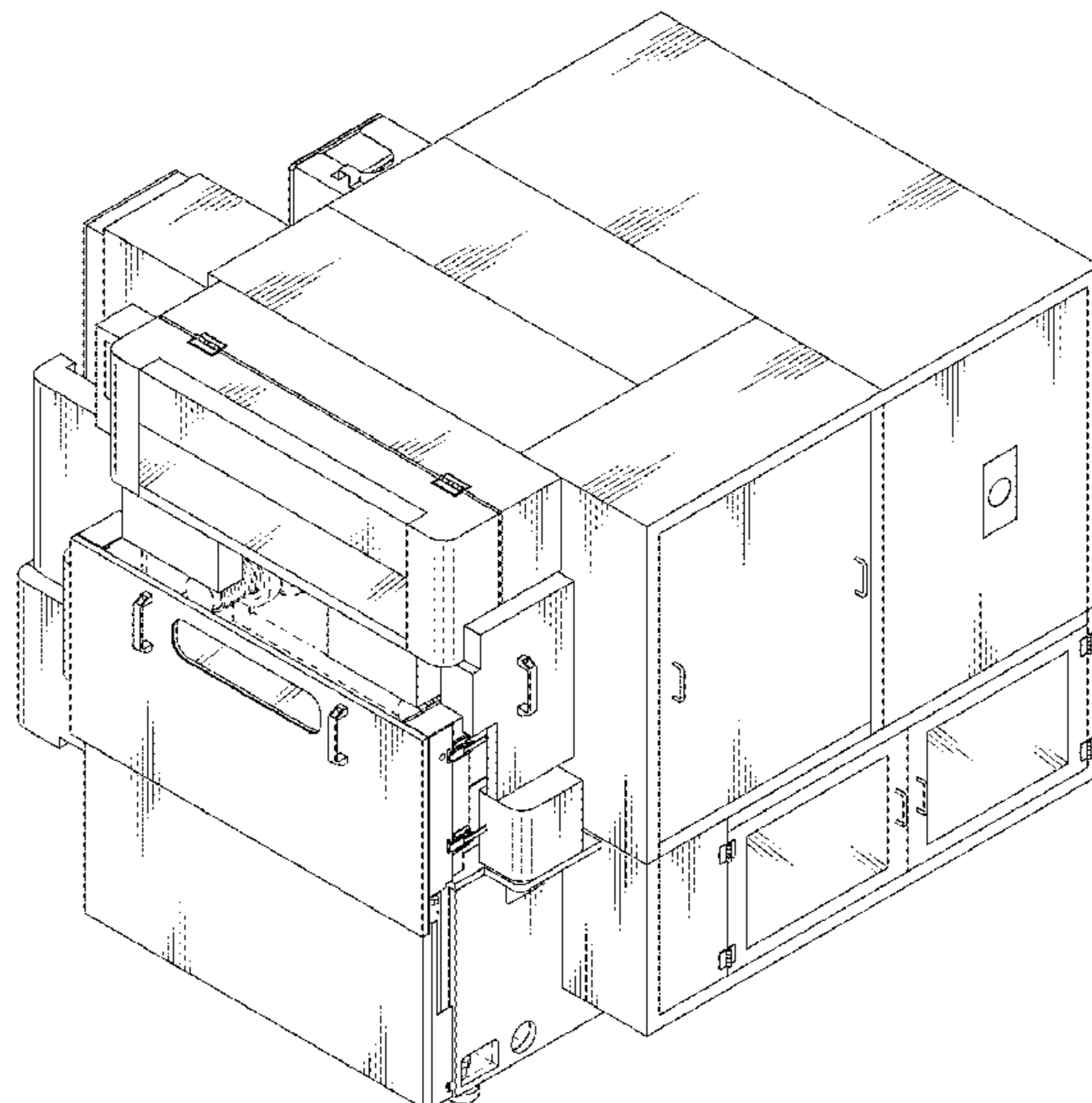


Fig. 1

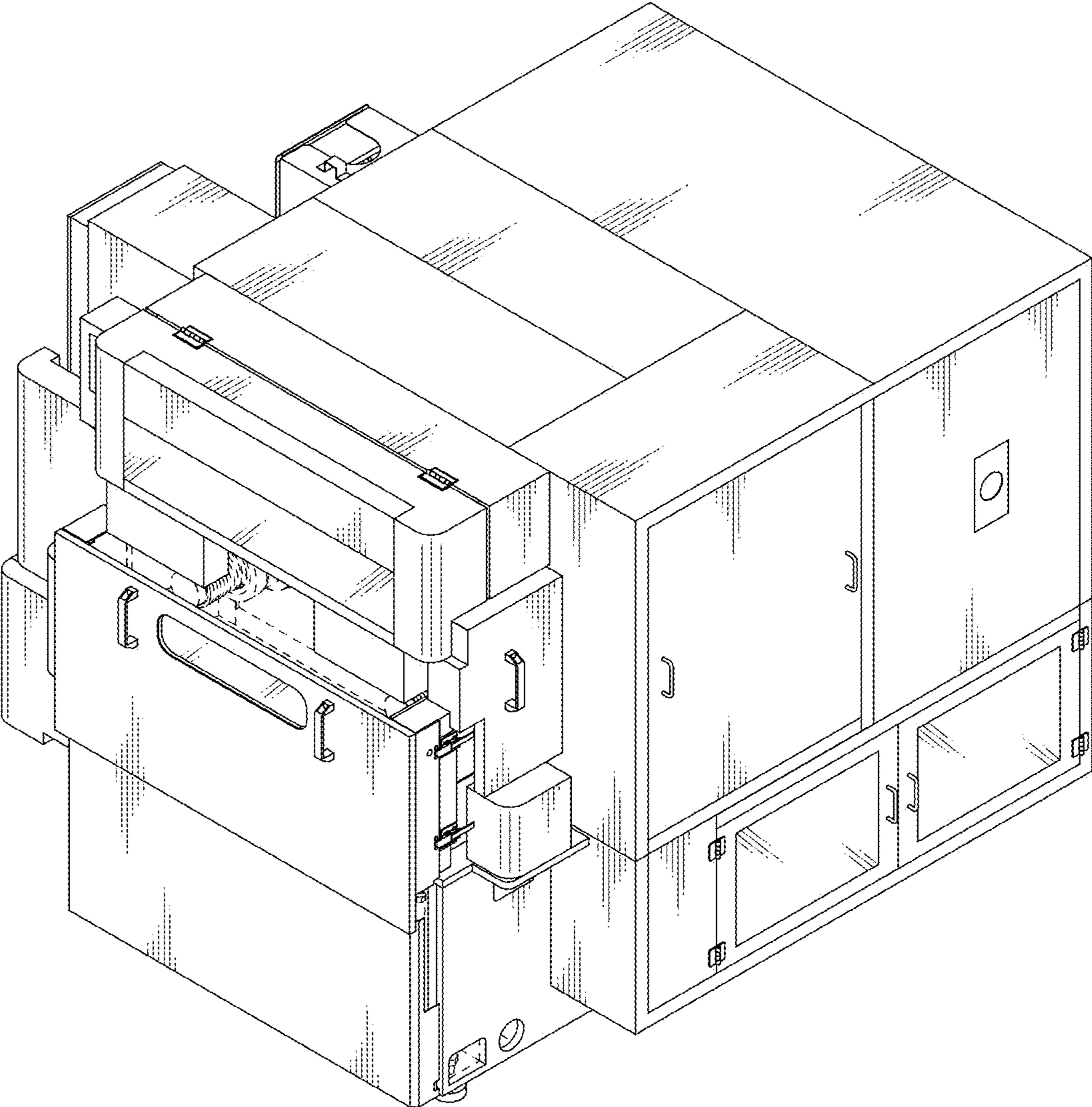


Fig. 2

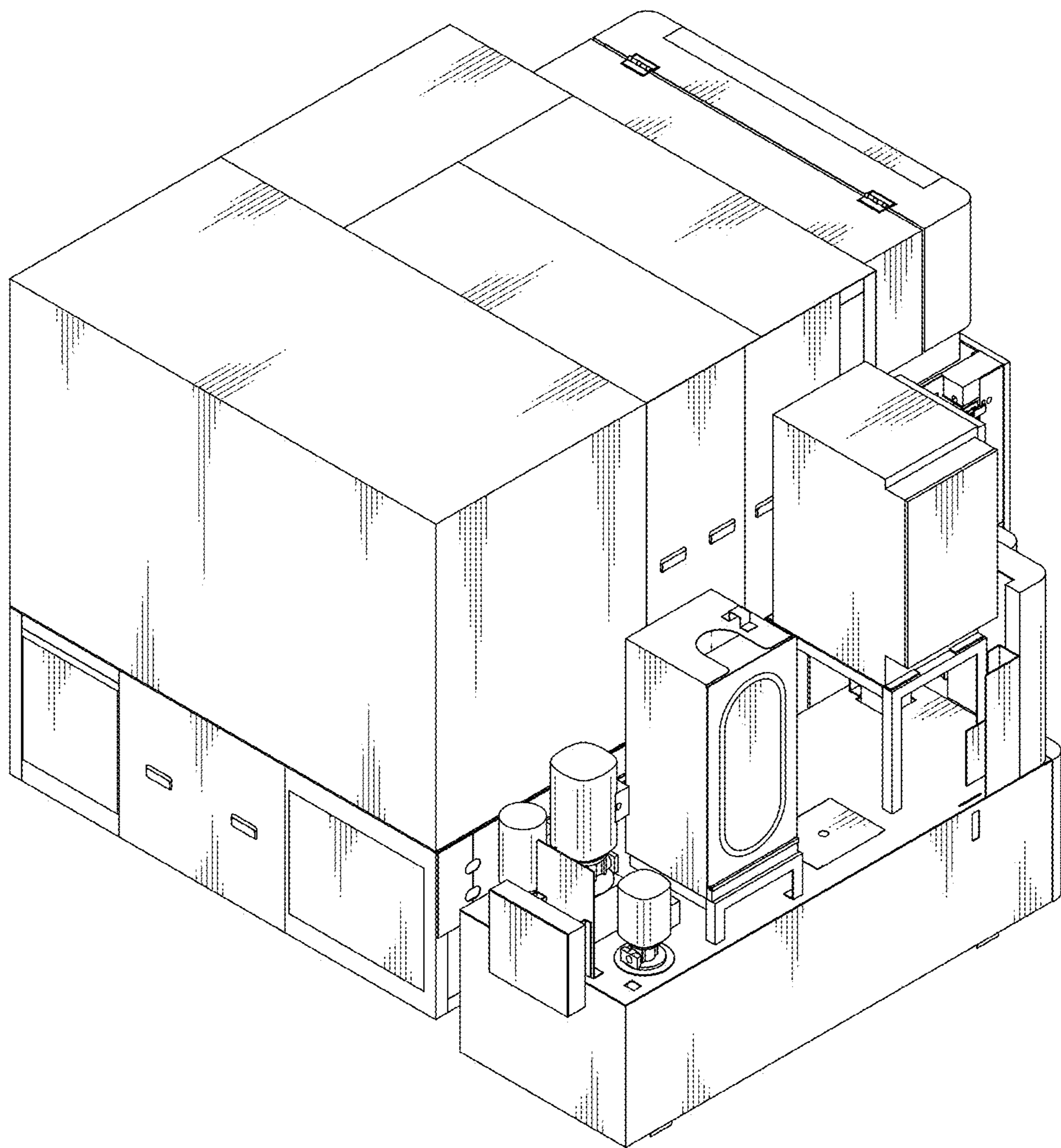


Fig. 3

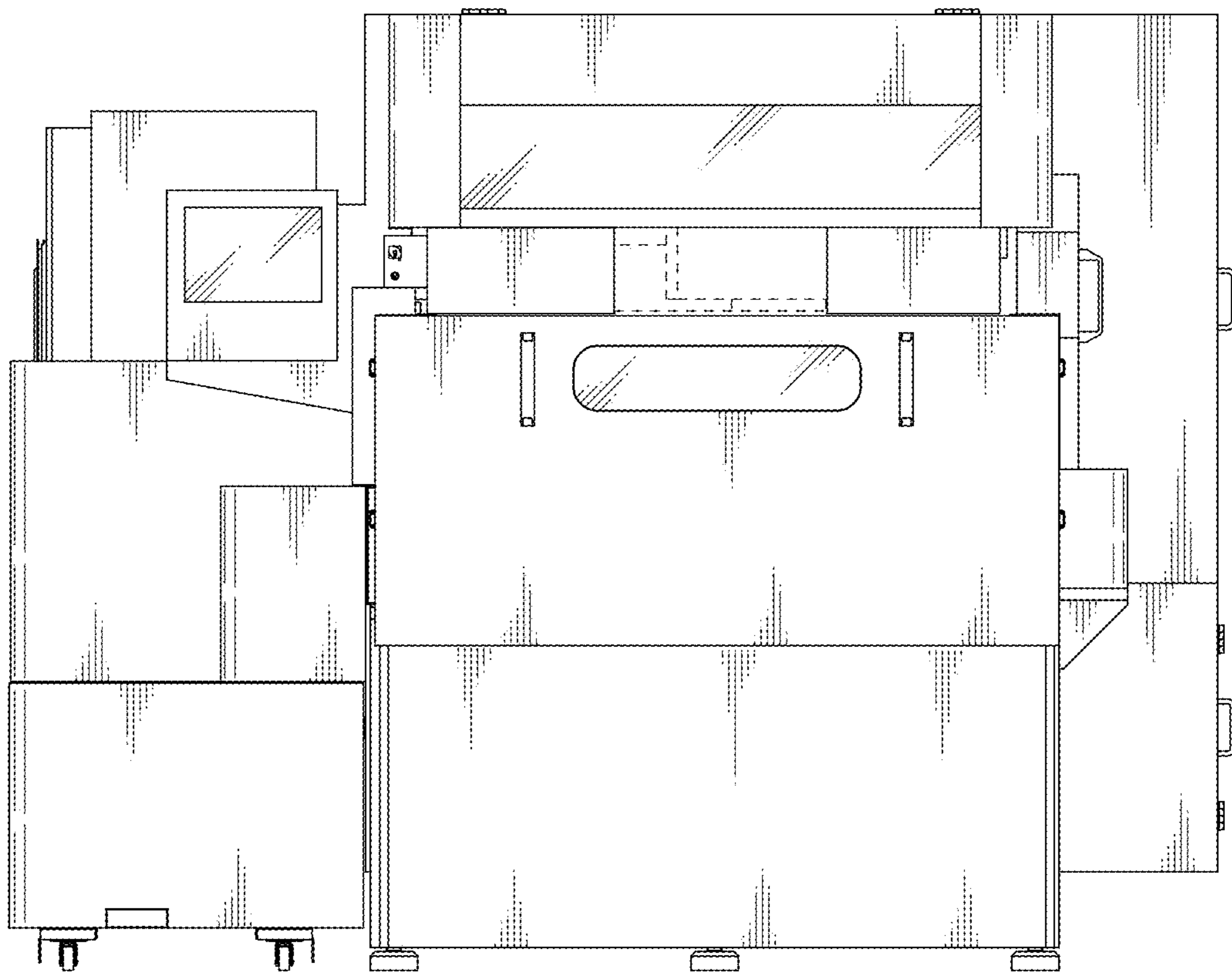


Fig. 4



Fig. 5

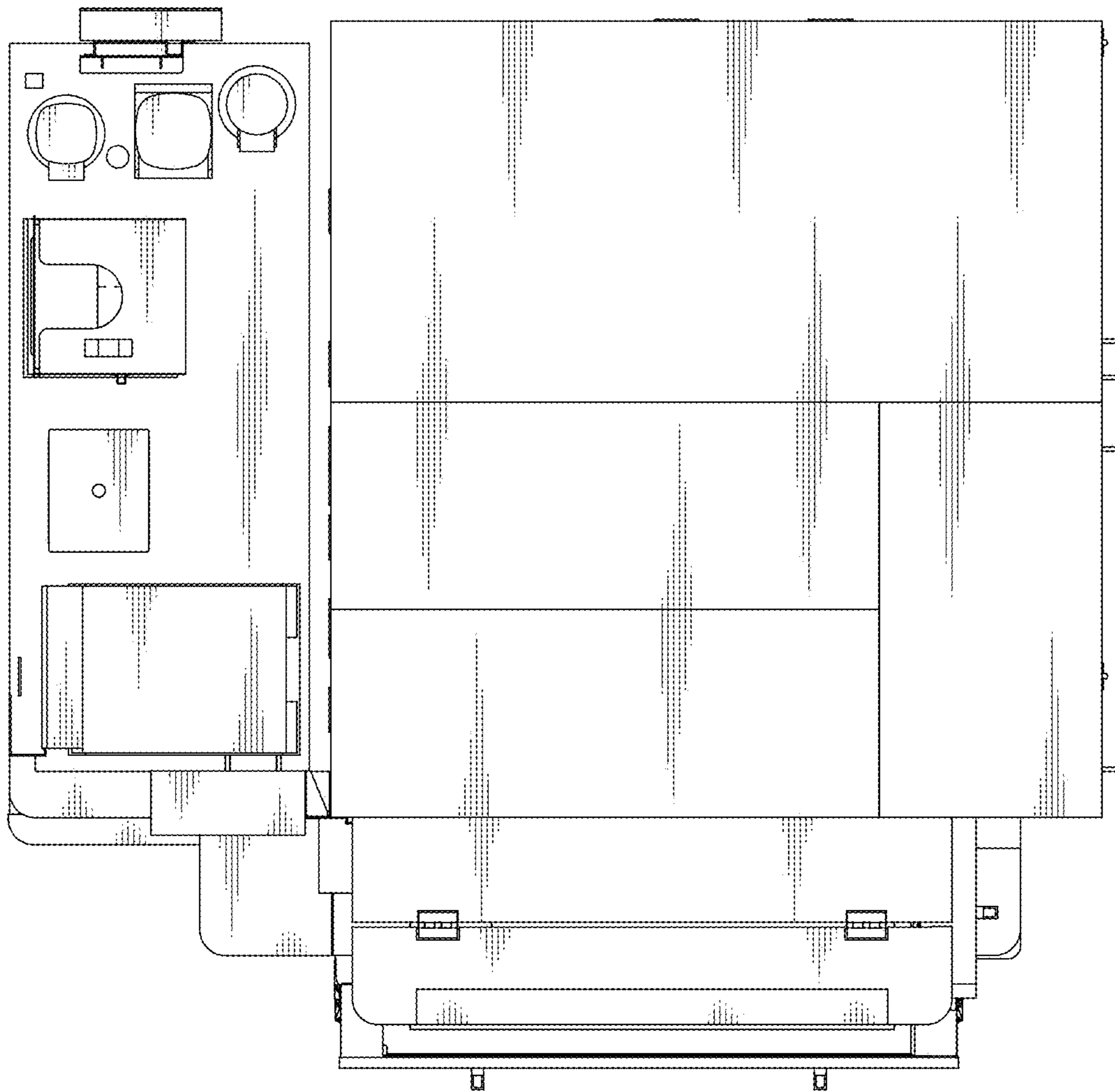


Fig. 6

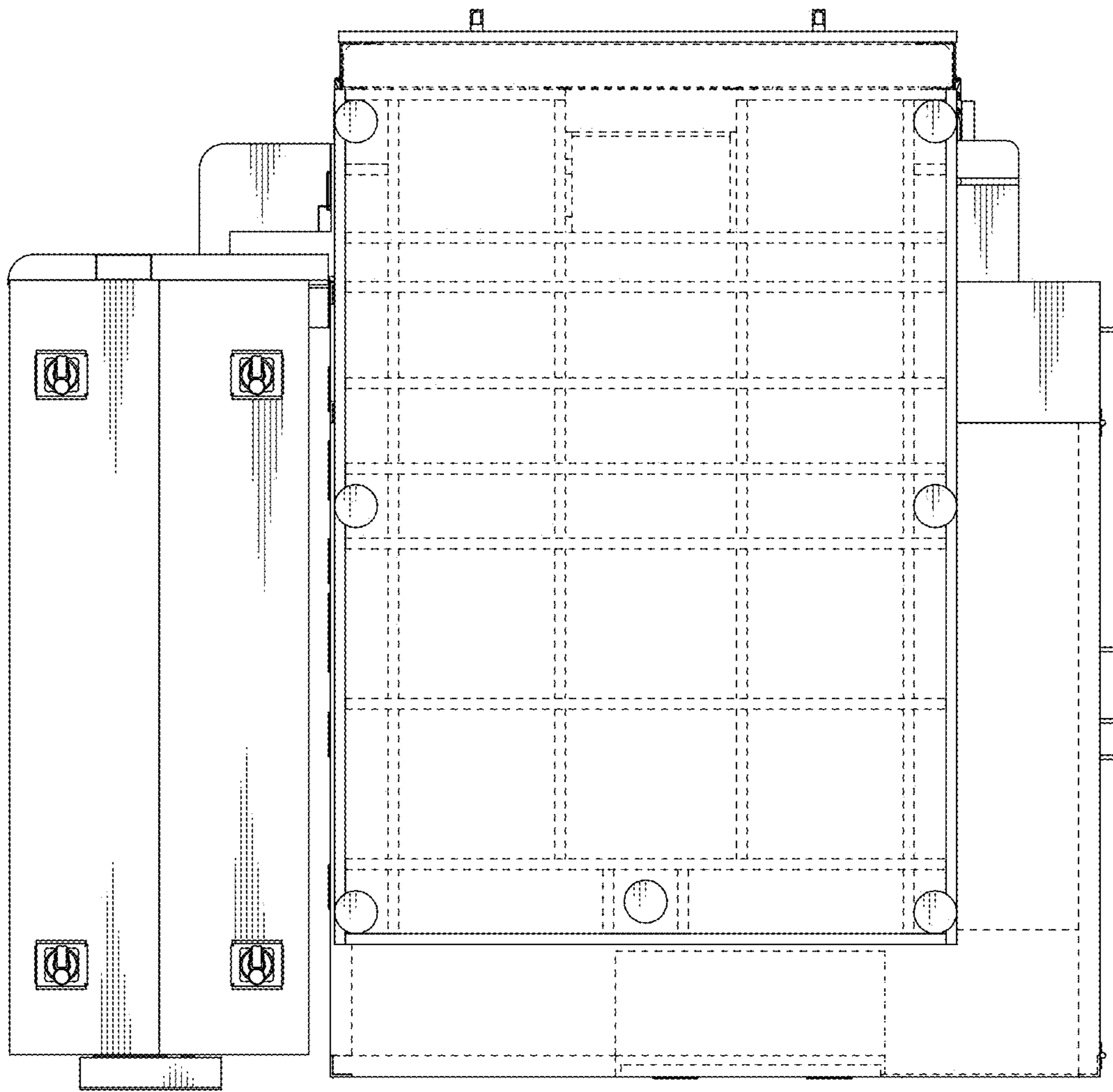


Fig. 7

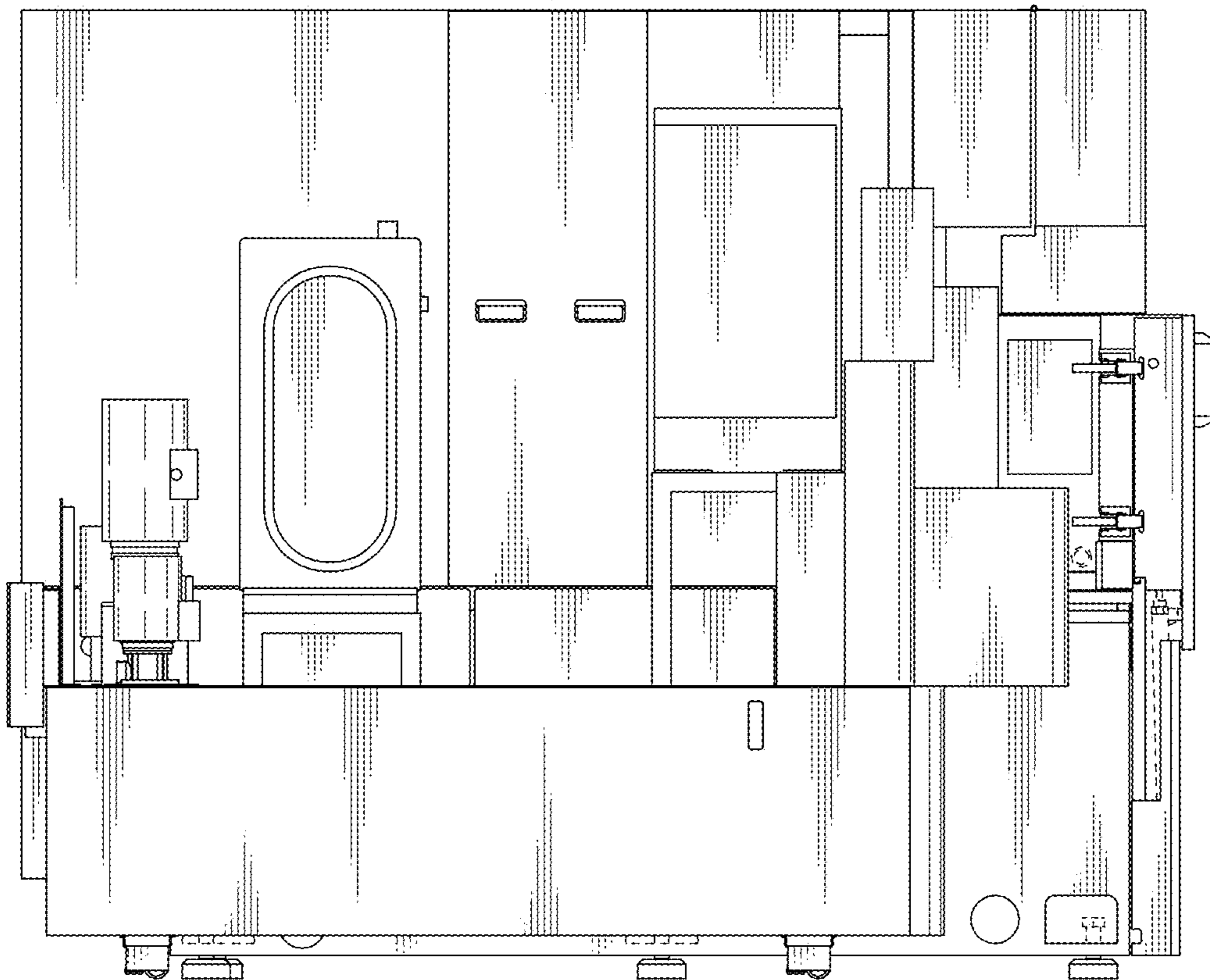


Fig. 8

