



US00D900742S

(12) **United States Design Patent** (10) **Patent No.:** **US D900,742 S**
Casey et al. (45) **Date of Patent:** **** Nov. 3, 2020**

(54) **WATER GENERATOR UNIT**
(71) Applicant: **AWS HOLDINGS LLC**, Cooper City, FL (US)
(72) Inventors: **Joseph Casey**, Cooper City, FL (US); **Reid Goldstein**, Cooper City, FL (US); **Albert Johnston**, Cooper City, FL (US); **Douglas Marcille**, Cooper City, FL (US)
(73) Assignee: **AWS HOLDINGS LLC**, Cooper City, FL (US)
(**) Term: **15 Years**

10,294,858 B2 * 5/2019 Lan F02B 63/048
10,308,358 B2 * 6/2019 Phan B64D 27/24
10,319,207 B1 * 6/2019 Janscha G08B 3/00
10,361,606 B2 * 7/2019 Sautier H02K 7/1823
10,385,463 B2 * 8/2019 Lin C25B 9/10
10,408,115 B2 * 9/2019 Okada F02B 63/042
10,439,463 B2 * 10/2019 Allen H02K 15/02
10,465,300 B2 * 11/2019 Lin C25B 1/04
10,488,169 B2 * 11/2019 Rastegar F42C 15/005
10,495,186 B2 * 12/2019 Lemmers, Jr. F01D 15/00
10,516,321 B2 * 12/2019 Kobayashi H02K 9/22
10,523,092 B2 * 12/2019 Akamatsu H02K 5/225
D875,943 S * 2/2020 Dayton D24/158
D878,293 S * 3/2020 Beyerlein D13/112
D879,037 S * 3/2020 Simon D13/112
D879,717 S * 3/2020 Simon D13/112
D887,005 S * 6/2020 Lin D24/164

* cited by examiner

(21) Appl. No.: **29/658,724**
(22) Filed: **Aug. 2, 2018**
(51) **LOC (12) Cl.** **13-01**
(52) **U.S. Cl.**
USPC **D13/112**
(58) **Field of Classification Search**
USPC D13/102, 110, 112, 116; D14/137, 168, D14/188, 189; D24/170, 232, 144, 138, D24/169; D26/37, 38, 39, 40, 41, 42, 43, D26/44, 45, 46, 47, 48, 49, 50
CPC A61B 18/1206; A61B 18/1402; A61B 18/1815; H01R 13/641; G05B 15/02
See application file for complete search history.

Primary Examiner — Susan Bennett Hattan
Assistant Examiner — Suzanne E Tisdell
(74) *Attorney, Agent, or Firm* — Millen, White, Zelano & Branigan, P.C.; William Nixon

(57) **CLAIM**

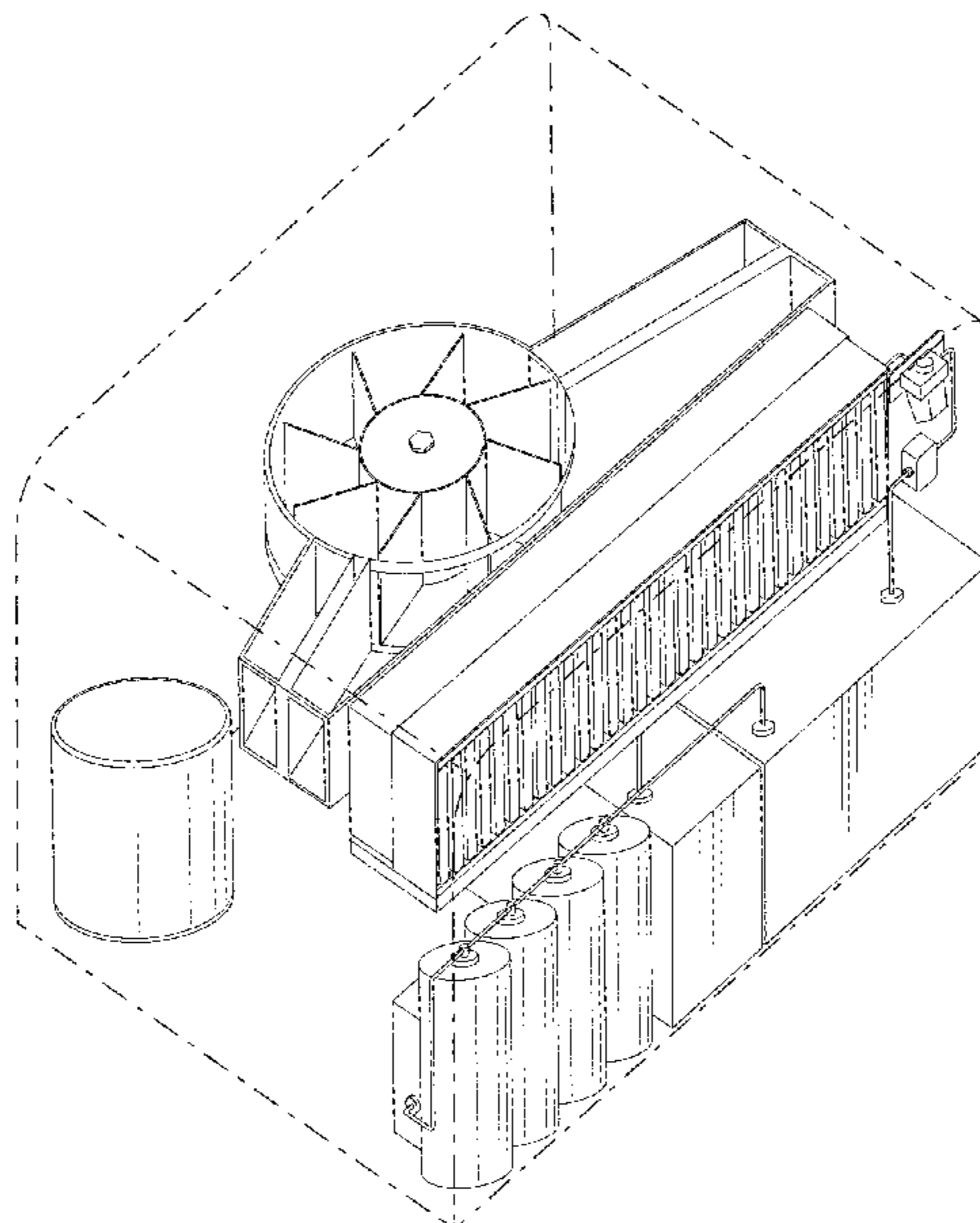
The ornamental design for a water generator unit, as shown and described.

DESCRIPTION

FIG. 1 illustrates a front-left side perspective view of the water generator unit showing our new design; FIG. 2 illustrates a back-left side perspective view thereof; FIG. 3 illustrates a front elevational view thereof; FIG. 4 illustrates a rear elevational view thereof; FIG. 5 illustrates a left side elevational view thereof; FIG. 6 illustrates a right side elevational view thereof; and, FIG. 7 illustrates a top plan view thereof. The broken lines in the drawings illustrate portions of the water generator unit which form no part of the claimed design.

(56) **References Cited**
U.S. PATENT DOCUMENTS
10,044,243 B2 * 8/2018 Janscha F02M 35/1015
D828,301 S * 9/2018 Wang D13/116
D834,517 S * 11/2018 Fritz D13/116
10,184,349 B2 * 1/2019 Schulte H02M 7/046
10,190,223 B2 * 1/2019 Lin A61M 16/10
10,273,864 B2 * 4/2019 Takahashi F02B 63/044
10,288,251 B2 * 5/2019 Mestre F21S 45/49

1 Claim, 7 Drawing Sheets



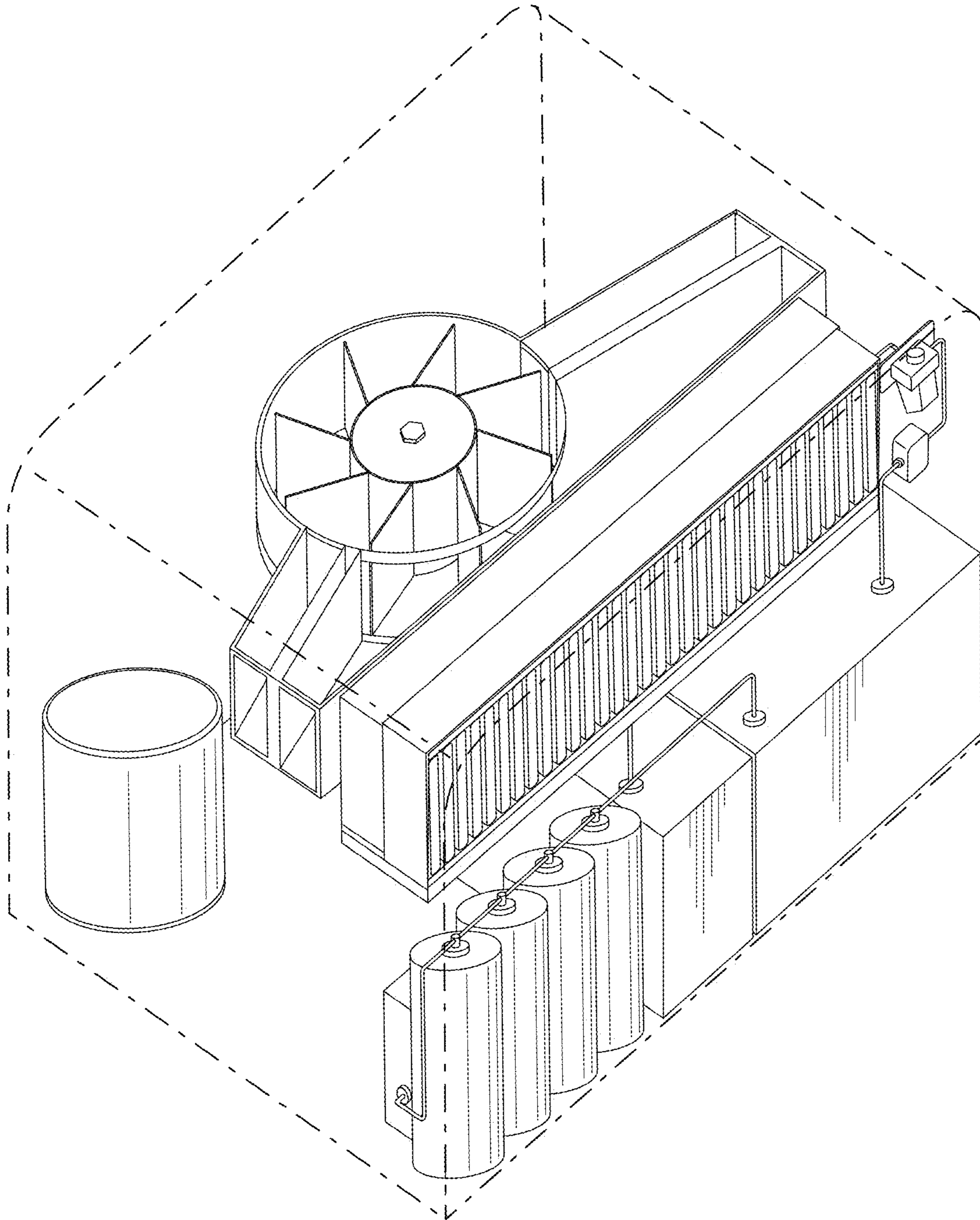


FIG. 1

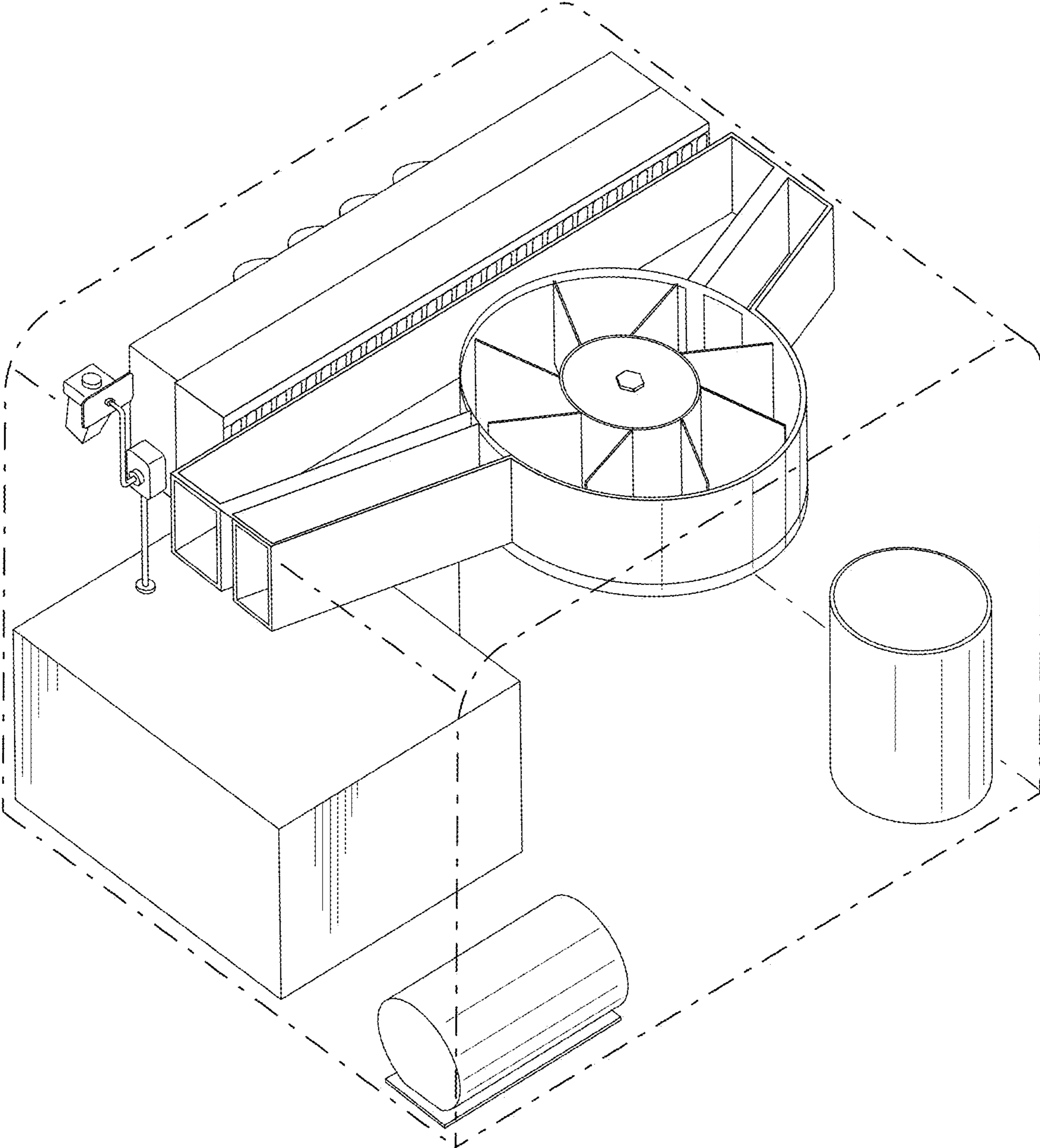


FIG. 2

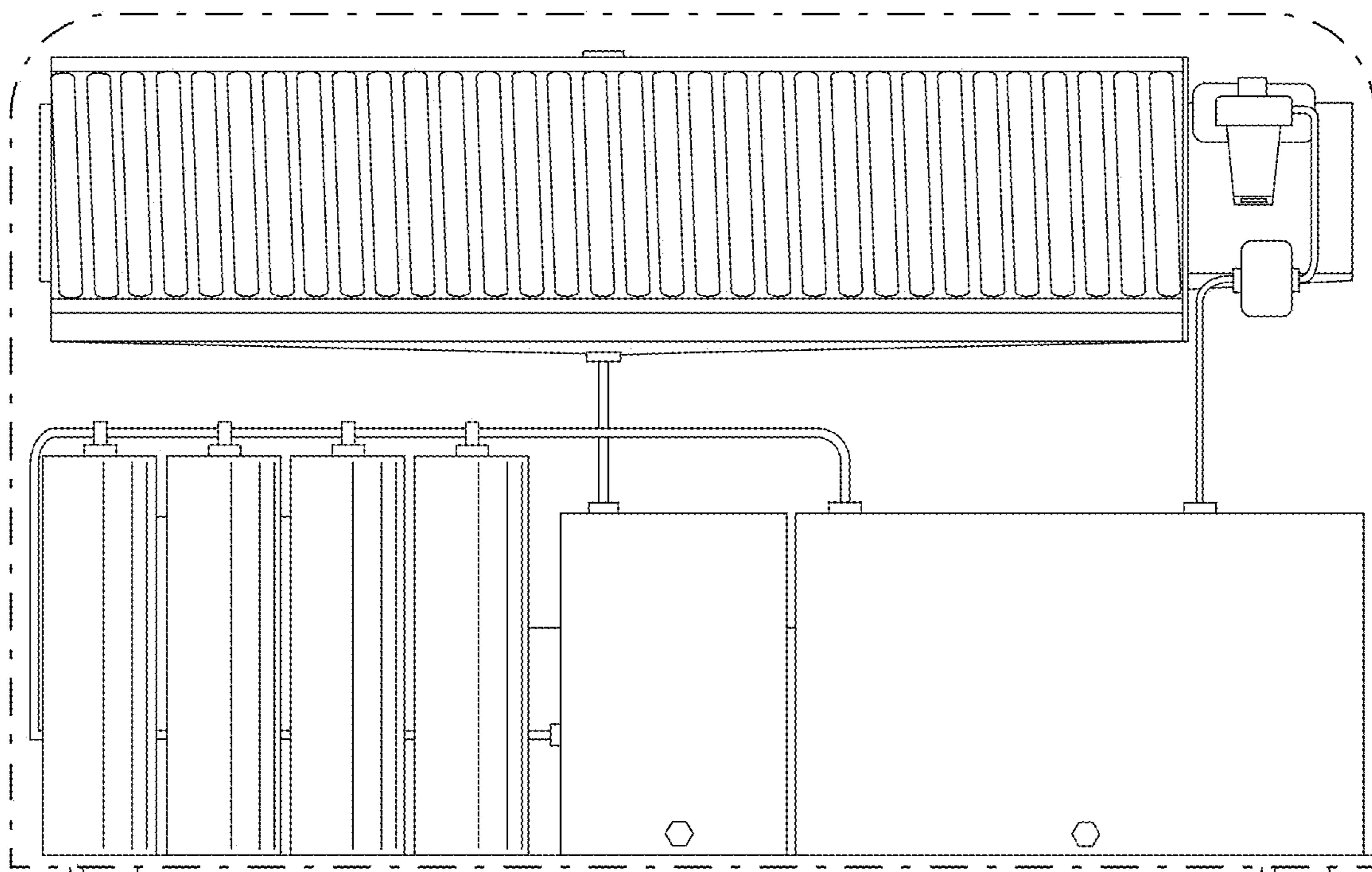


FIG. 3

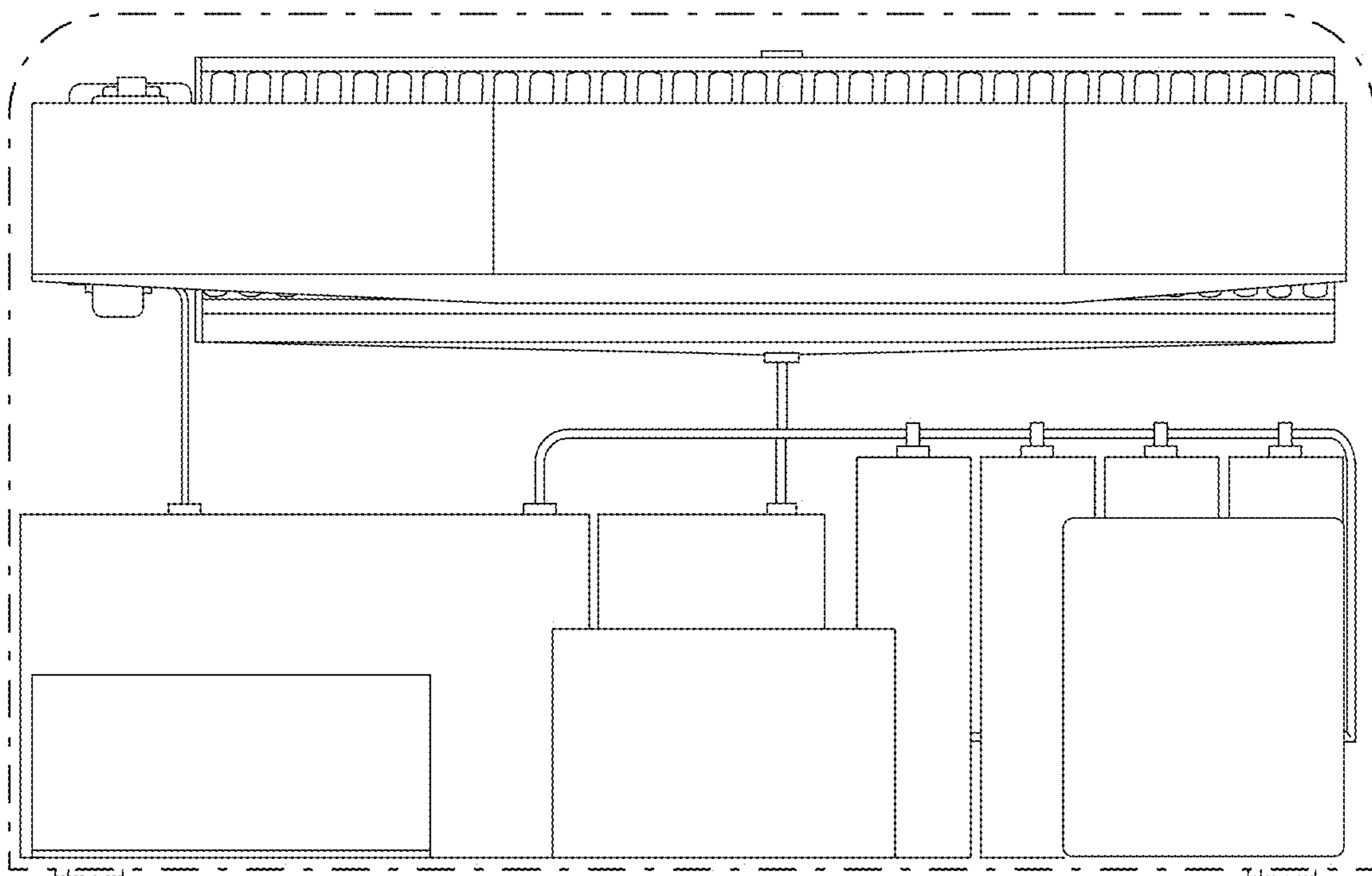


FIG. 4

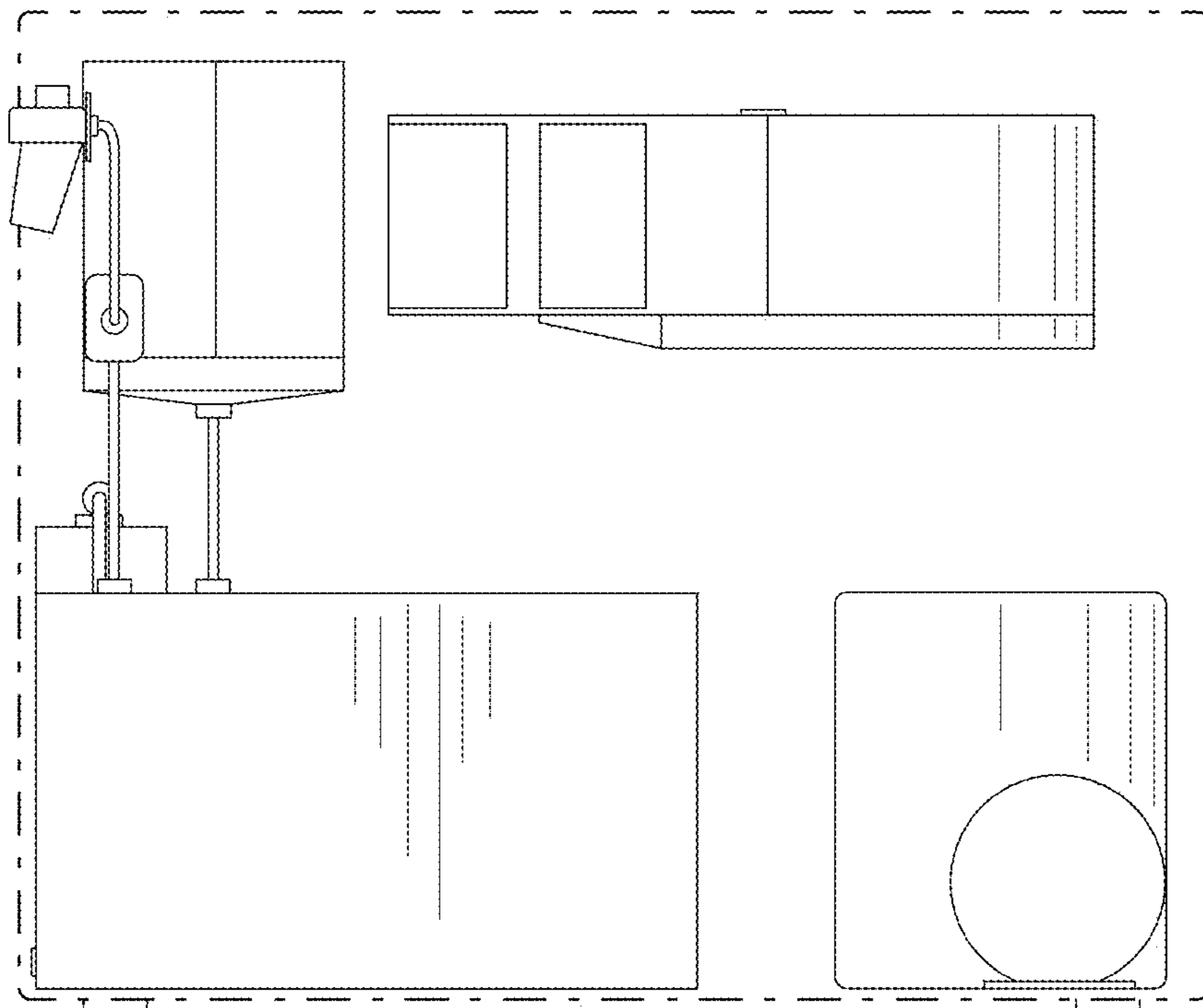


FIG. 5

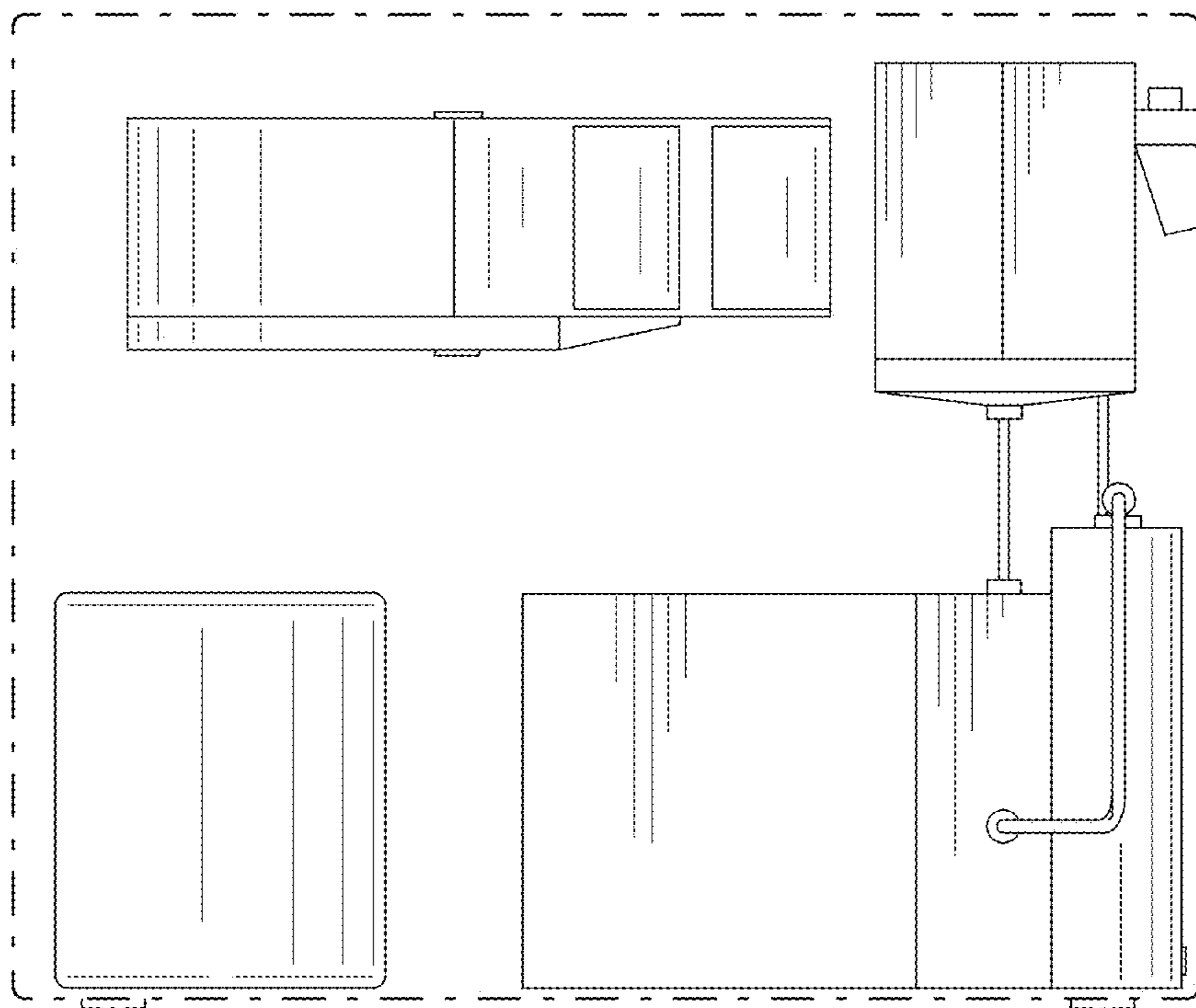


FIG. 6

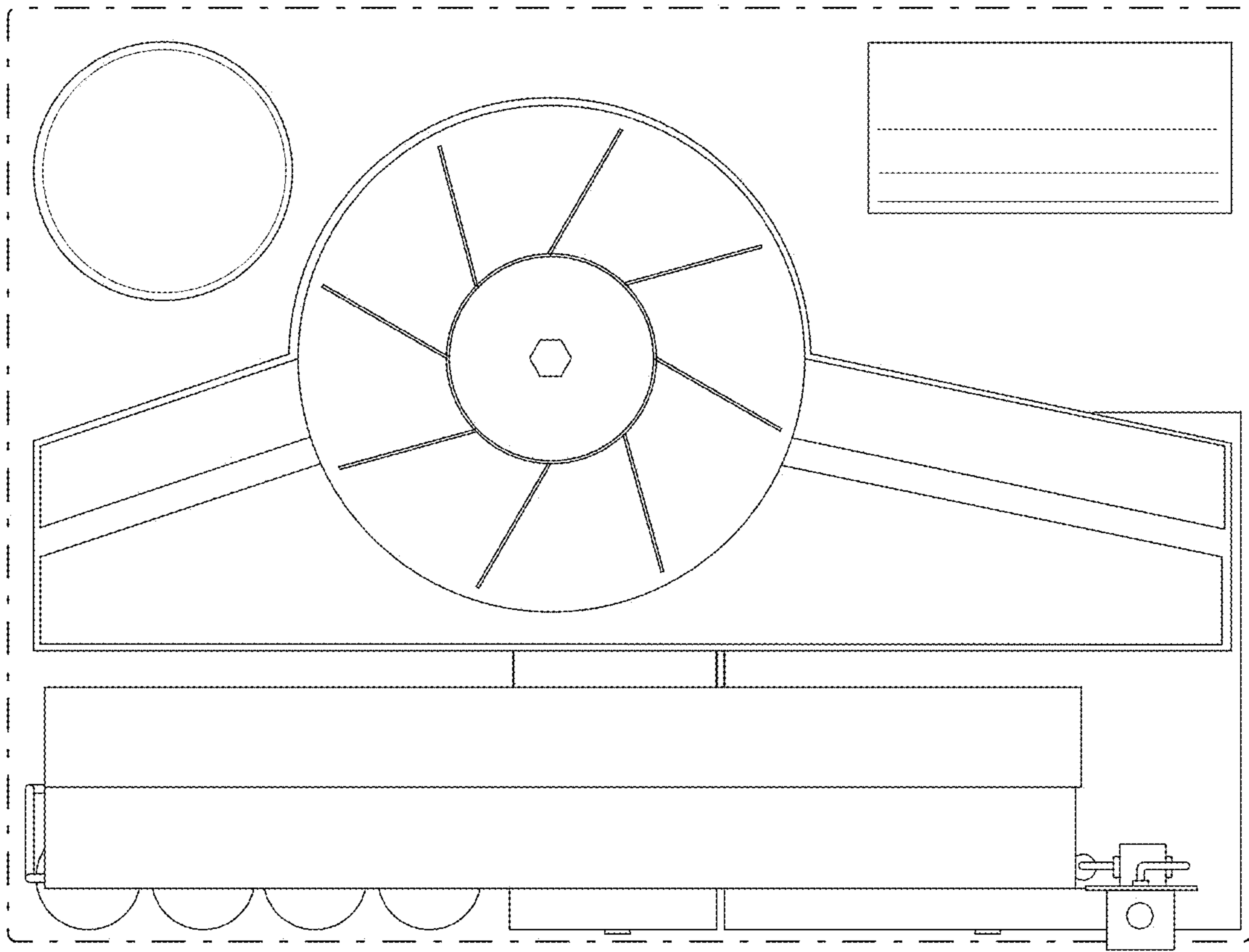


FIG. 7