



US00D900738S

(12) **United States Design Patent** (10) **Patent No.:** **US D900,738 S**  
**Liu** (45) **Date of Patent:** **\*\* Nov. 3, 2020**

(54) **CHARGER PLUG**

(71) Applicant: **Tao Liu**, Sichuan (CN)

(72) Inventor: **Tao Liu**, Sichuan (CN)

(\*\*) Term: **15 Years**

(21) Appl. No.: **29/698,736**

(22) Filed: **Jul. 19, 2019**

(51) **LOC (12) Cl.** ..... **13-02**

(52) **U.S. Cl.**  
USPC ..... **D13/108**

(58) **Field of Classification Search**  
USPC ..... D13/103, 107-108, 110, 184, 199;  
D14/251, 253, 432, 434  
CPC ..... H02J 7/0044; H02J 7/0045; H02J 7/0042;  
H02J 7/342; H02J 7/345; H02J 7/025;  
H02J 7/026; H02J 7/0007; H02J 7/0027;  
H02J 7/0003; H02J 50/00; H02J 50/10;  
H02J 50/12; H02J 50/80; H02J 50/40  
See application file for complete search history.

(56) **References Cited**

**U.S. PATENT DOCUMENTS**

D611,415 S *	3/2010	Andre	.....	D13/138.1
D623,136 S *	9/2010	Andre	.....	D13/138.1
D653,208 S *	1/2012	Au	.....	D13/108
D653,614 S *	2/2012	Au	.....	D13/108
D653,615 S *	2/2012	Au	.....	D13/108
D683,314 S *	5/2013	Andre	.....	D13/138.1

D702,631 S *	4/2014	Esses	.....	D13/108
D729,160 S *	5/2015	Levy	.....	D13/110
D734,259 S *	7/2015	Cepress	.....	D13/110
D834,516 S *	11/2018	Jin	.....	D13/108
D841,582 S *	2/2019	Tian	.....	D13/108
D867,286 S *	11/2019	Akana	.....	D13/110
D867,287 S *	11/2019	Akana	.....	D13/110
D879,711 S *	3/2020	Ruiwu	.....	D13/108
D879,714 S *	3/2020	Zhang	.....	D13/110
D892,736 S *	8/2020	Jin	.....	D13/108

\* cited by examiner

*Primary Examiner* — Rosemary K Tarcza

(74) *Attorney, Agent, or Firm* — ZANIP

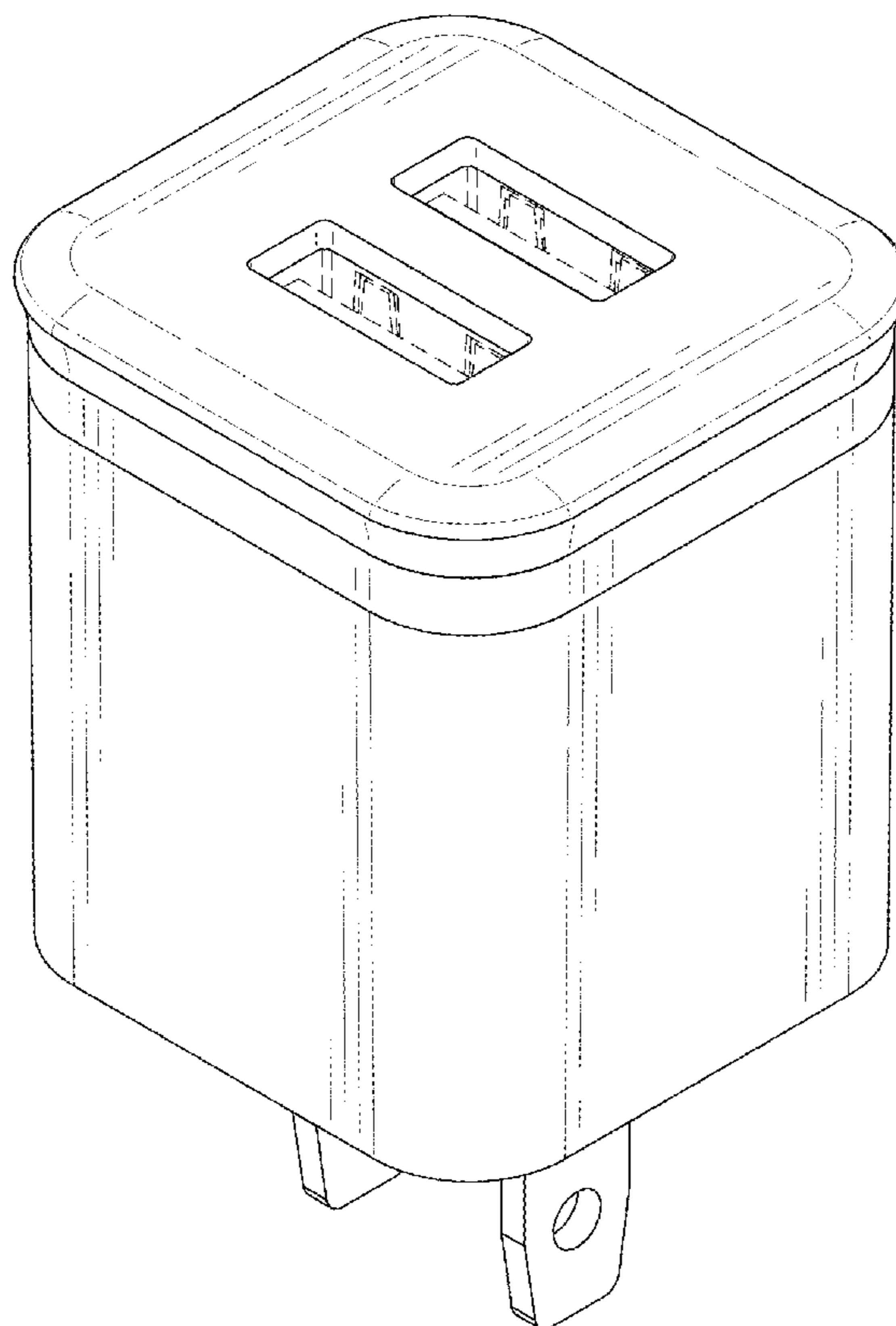
(57) **CLAIM**

The ornamental design for a charger plug, as shown and described.

**DESCRIPTION**

FIG. 1 is a front and top perspective view of a charger plug showing my new design;  
FIG. 2 is a back and bottom perspective view thereof;  
FIG. 3 is a front view thereof;  
FIG. 4 is a back view thereof;  
FIG. 5 is a left side view thereof;  
FIG. 6 is a right side view thereof;  
FIG. 7 is a top view thereof; and,  
FIG. 8 is a bottom view thereof.  
The broken lines in the figures illustrate portions of the charger plug that form no part of the claimed design.

**1 Claim, 8 Drawing Sheets**



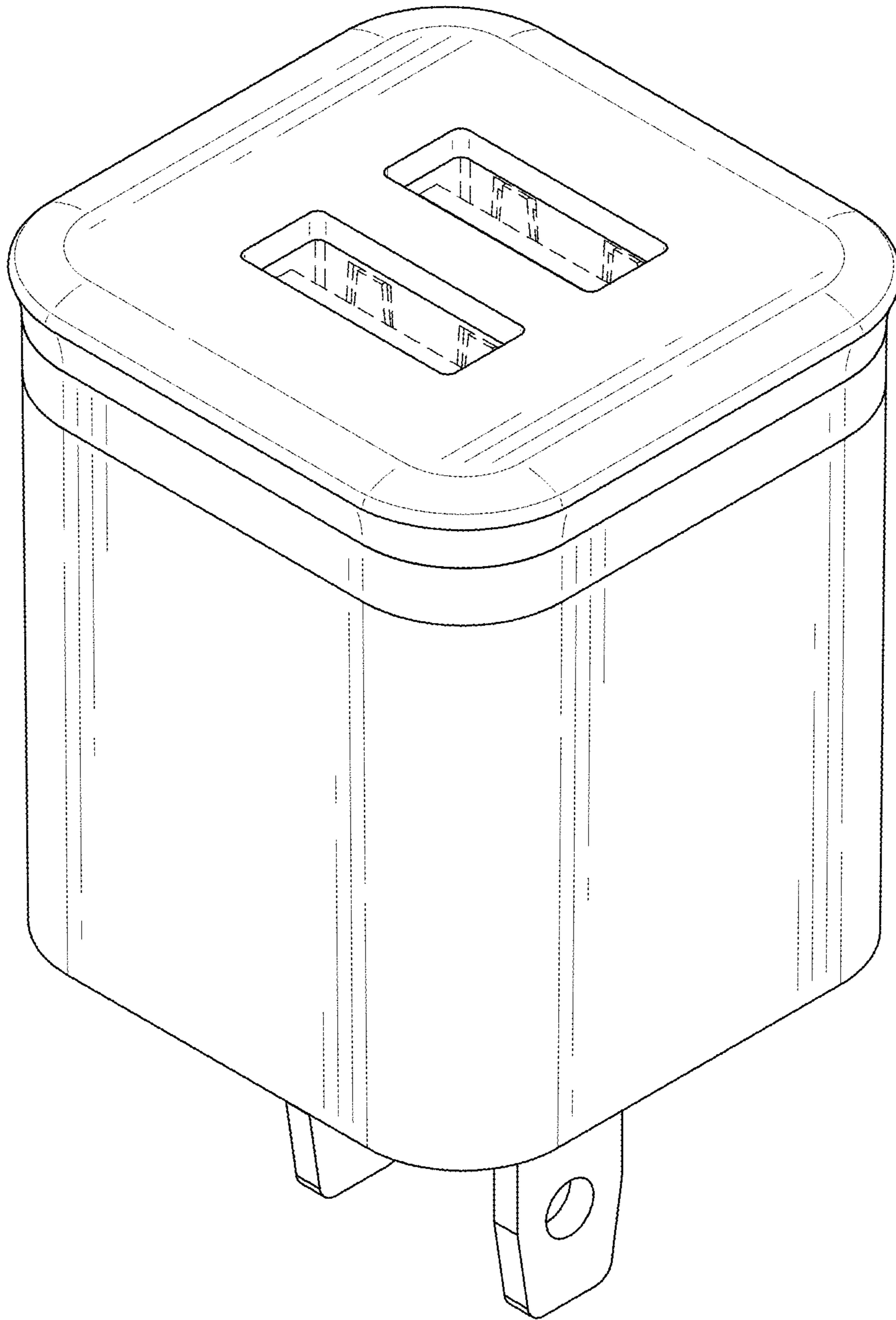


FIG. 1

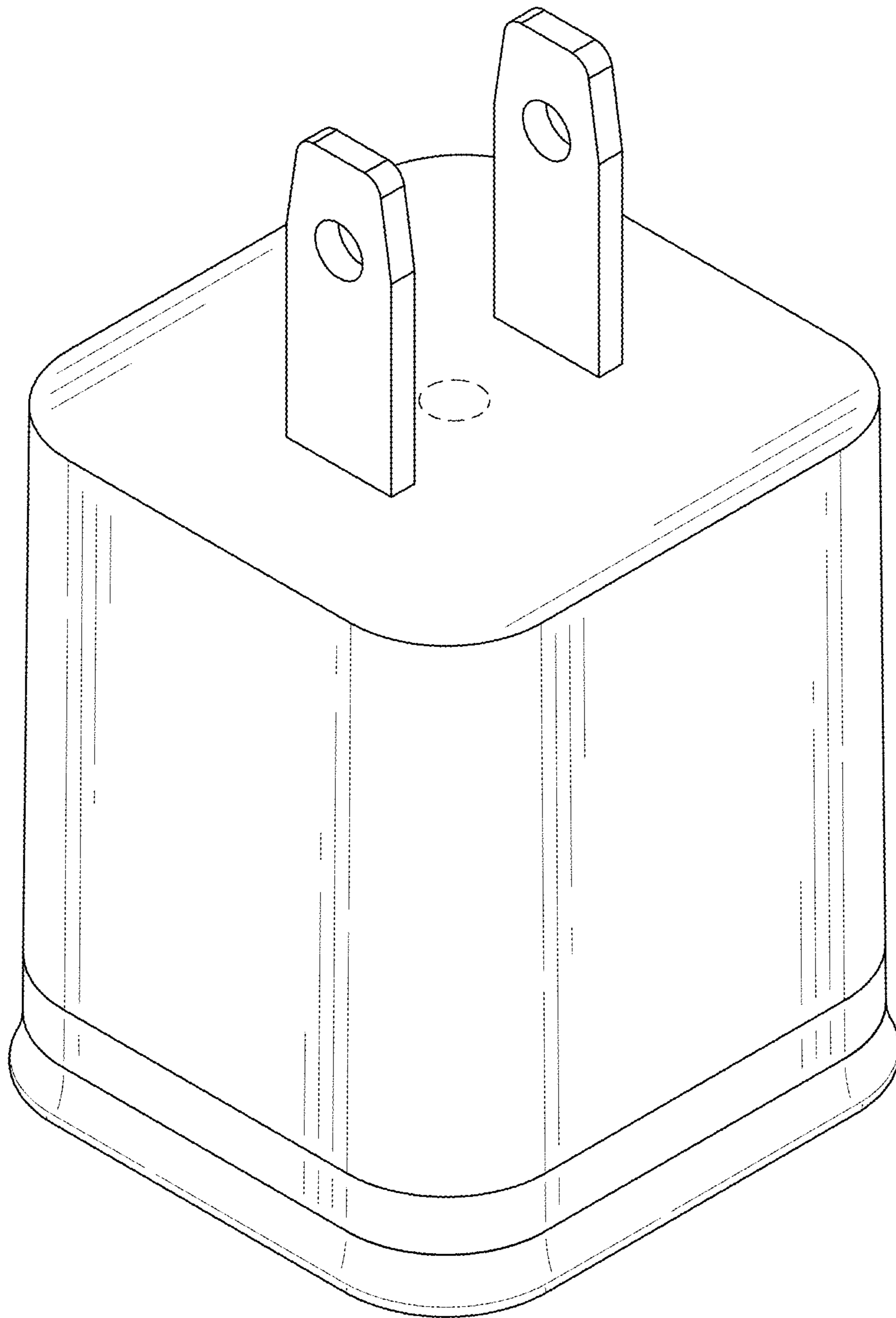


FIG. 2

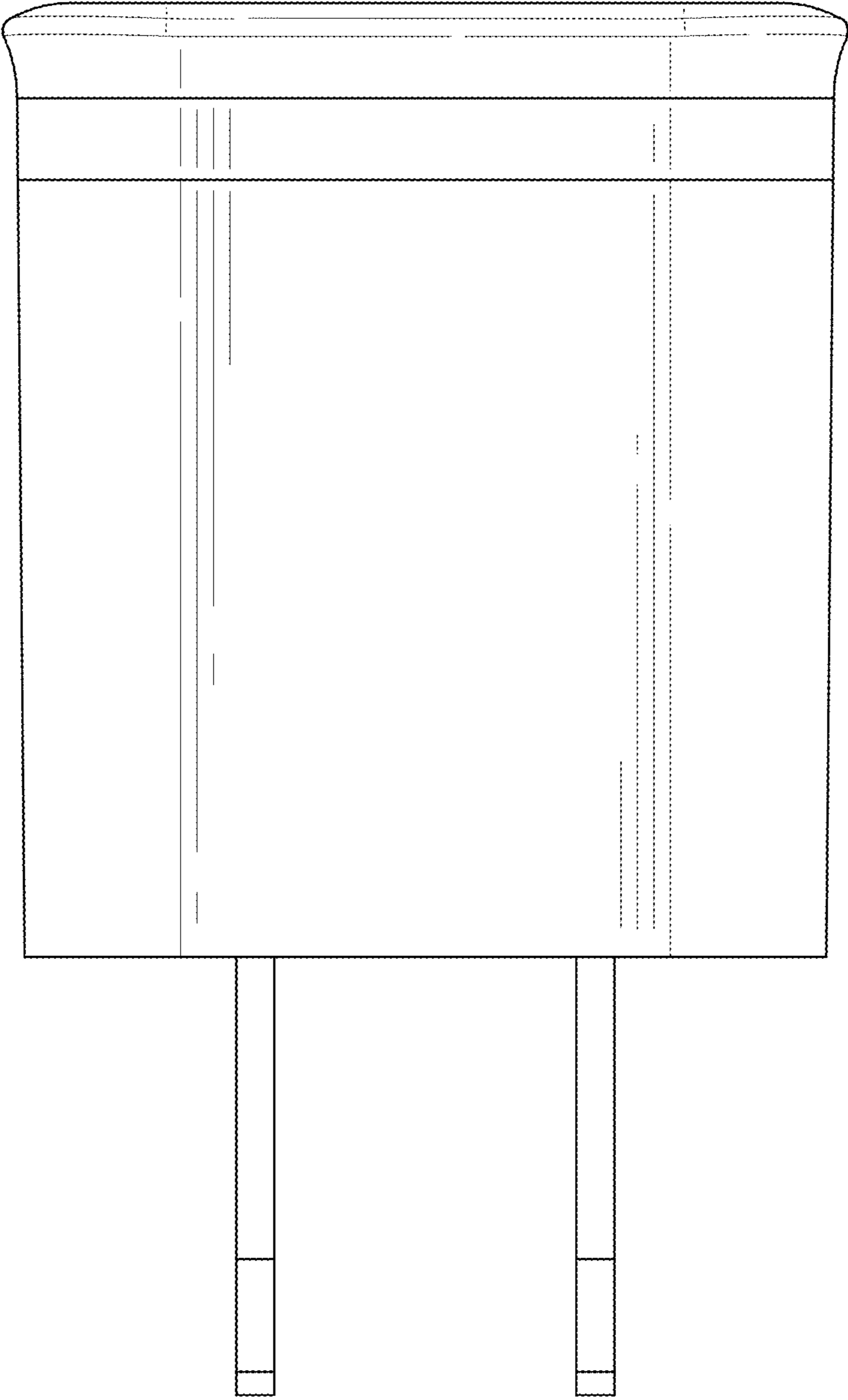


FIG. 3

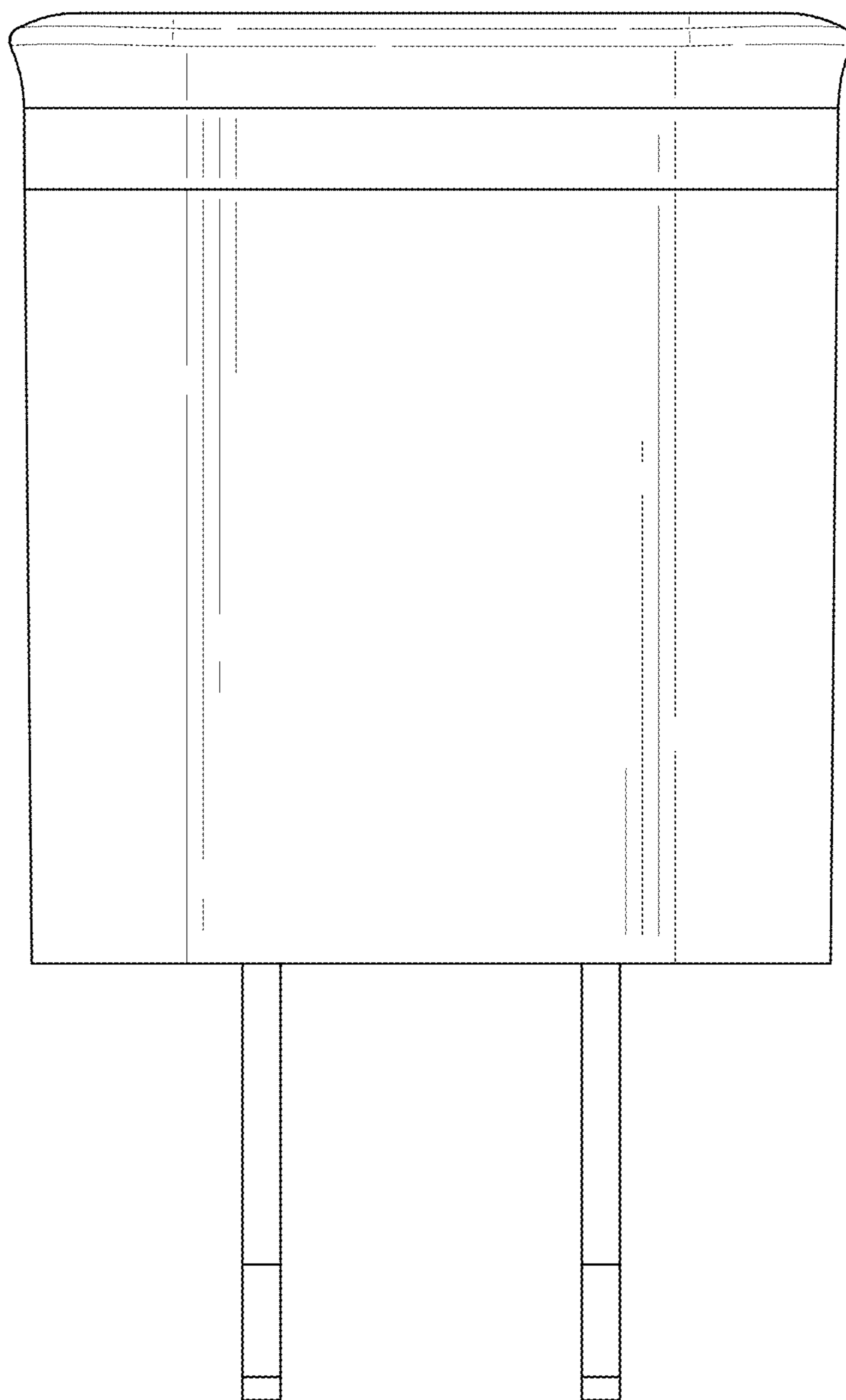


FIG. 4

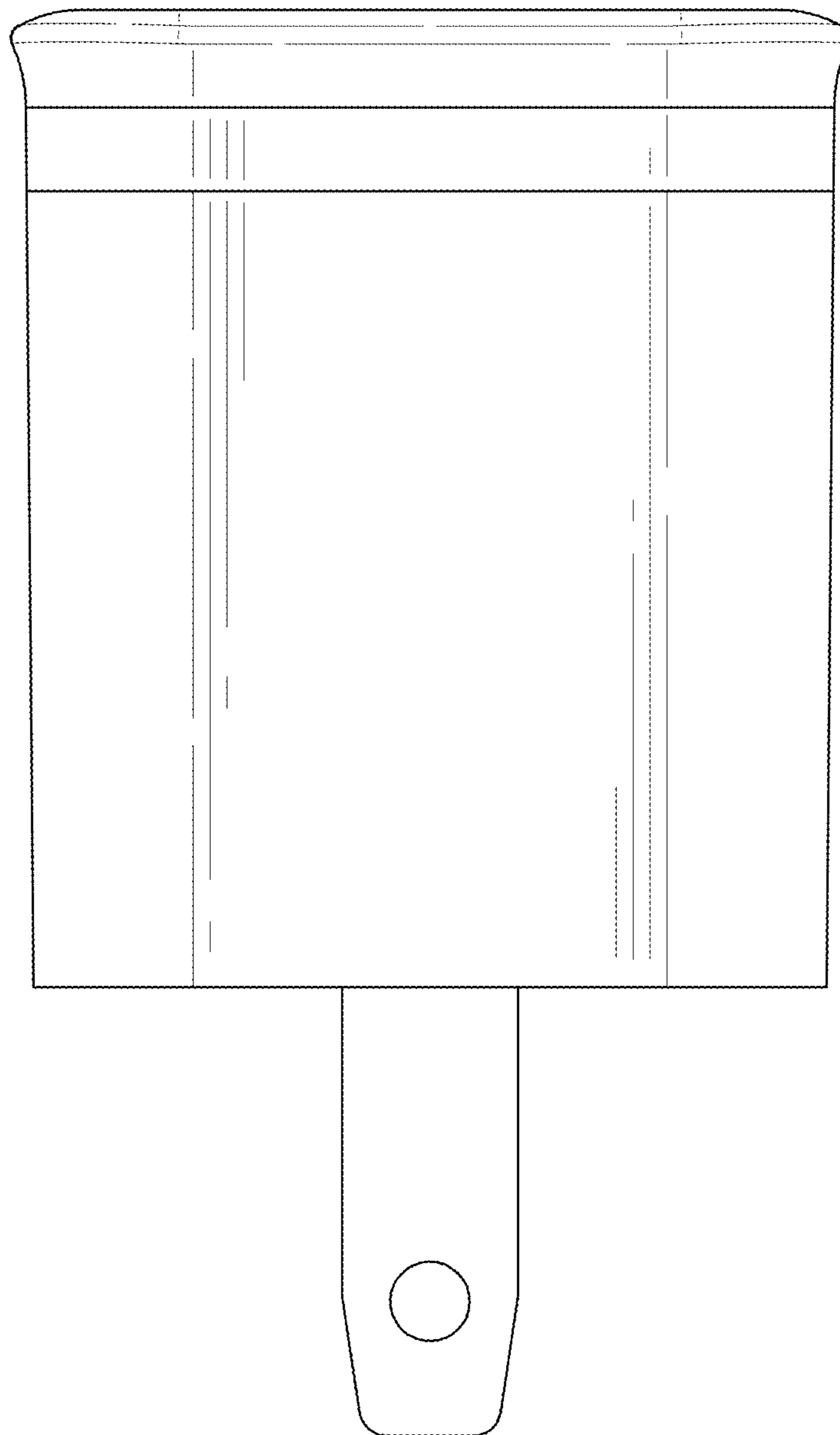


FIG. 5

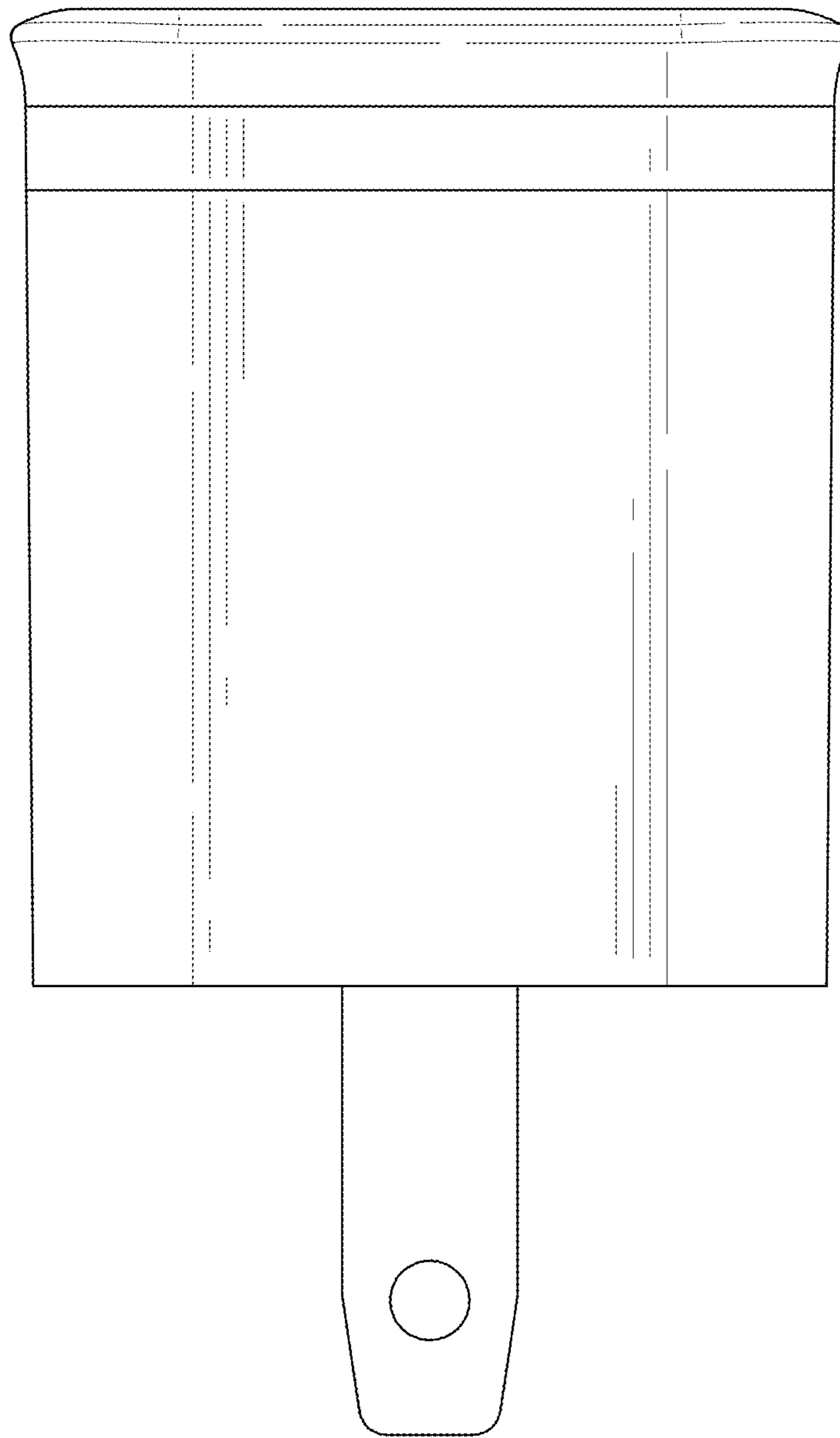


FIG. 6

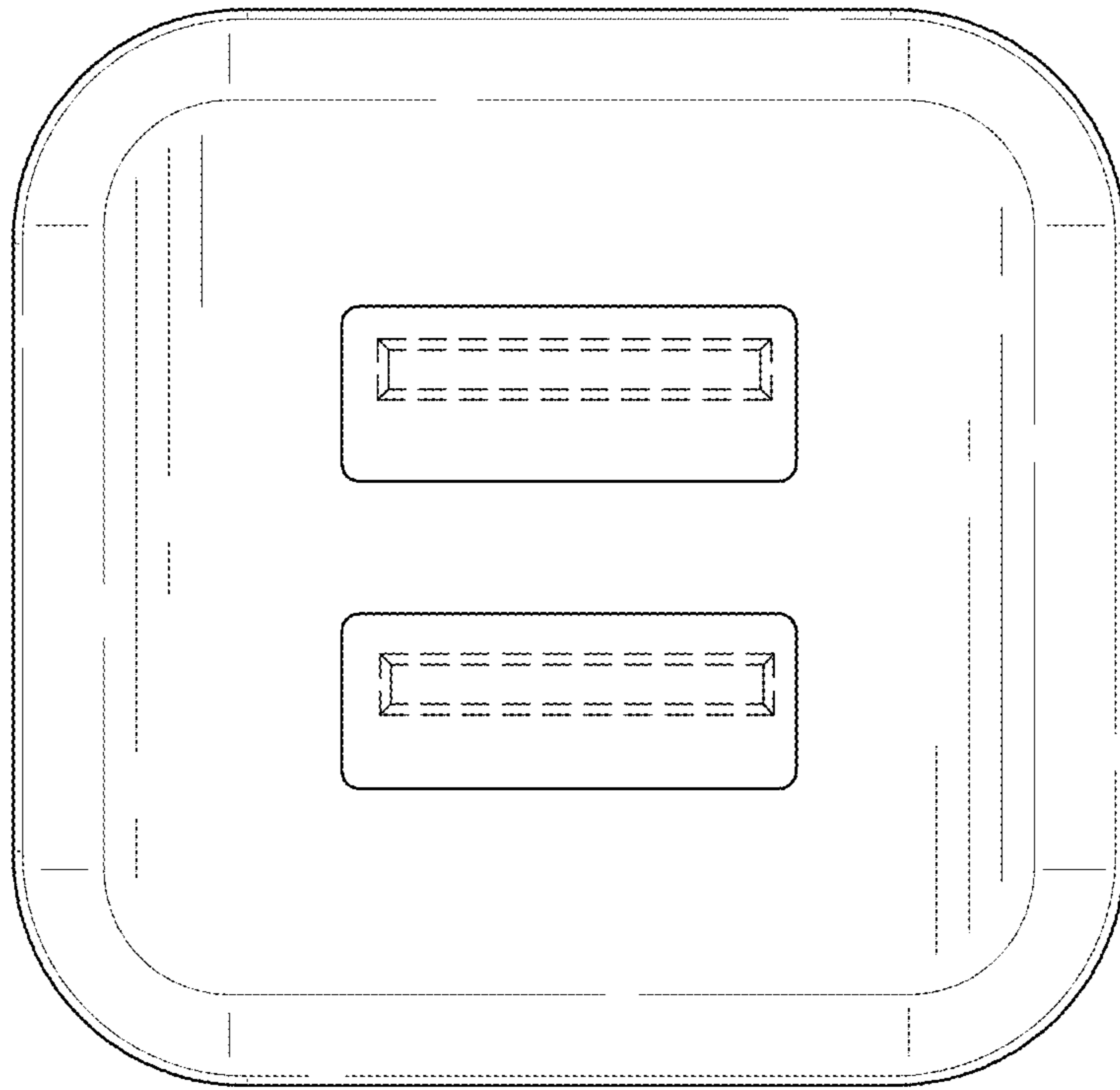


FIG. 7



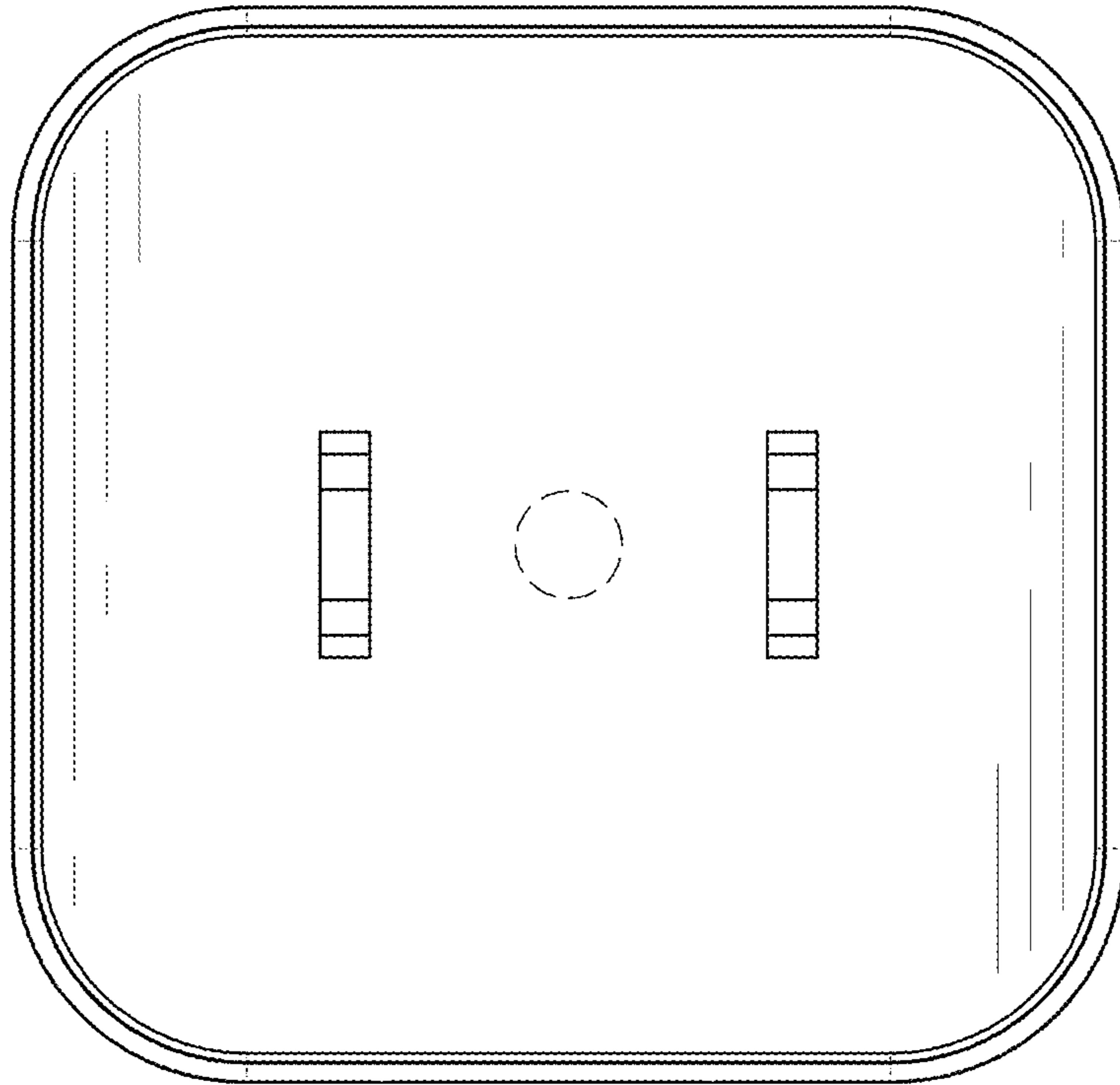


FIG. 8