



US00D900737S

(12) **United States Design Patent** (10) **Patent No.:** **US D900,737 S**
Hsu (45) **Date of Patent:** **** Nov. 3, 2020**

(54) **CHARGING STAND**
(71) Applicant: **Dong Guan Jia Sheng Lighting Technology Co., Ltd. China,**
Dong-Guna, Guang-Dong (CN)
(72) Inventor: **Kevin Hsu,** Taichung (TW)
(73) Assignee: **Dong Guan Jia Sheng Lighting Technology Co., Ltd. China,**
Guang-Dong (CN)
(**) Term: **15 Years**
(21) Appl. No.: **29/698,099**
(22) Filed: **Jul. 15, 2019**
(51) **LOC (12) Cl.** **13-02**
(52) **U.S. Cl.**
USPC **D13/108**
(58) **Field of Classification Search**
USPC D13/103, 107-108, 110, 184, 199;
D14/251, 253, 432, 434
CPC H02J 7/0044; H02J 7/0045; H02J 7/0042;
H02J 7/342; H02J 7/345; H02J 7/025;
H02J 7/026; H02J 7/0007; H02J 7/0027;
H02J 7/0003; H02J 50/00; H02J 50/10;
H02J 50/12; H02J 50/80; H02J 50/40;
H02J 50/402; H02J 50/50
See application file for complete search history.

(56) **References Cited**
U.S. PATENT DOCUMENTS
D510,562 S * 10/2005 Lodato D13/108
D520,447 S * 5/2006 Liu D13/108
D609,637 S * 2/2010 Chu D13/108
D611,407 S * 3/2010 Webb D13/108
D611,408 S * 3/2010 Ferber D13/108
D654,431 S * 2/2012 Stephanchick D13/108
D656,894 S * 4/2012 Stephanchick D13/108

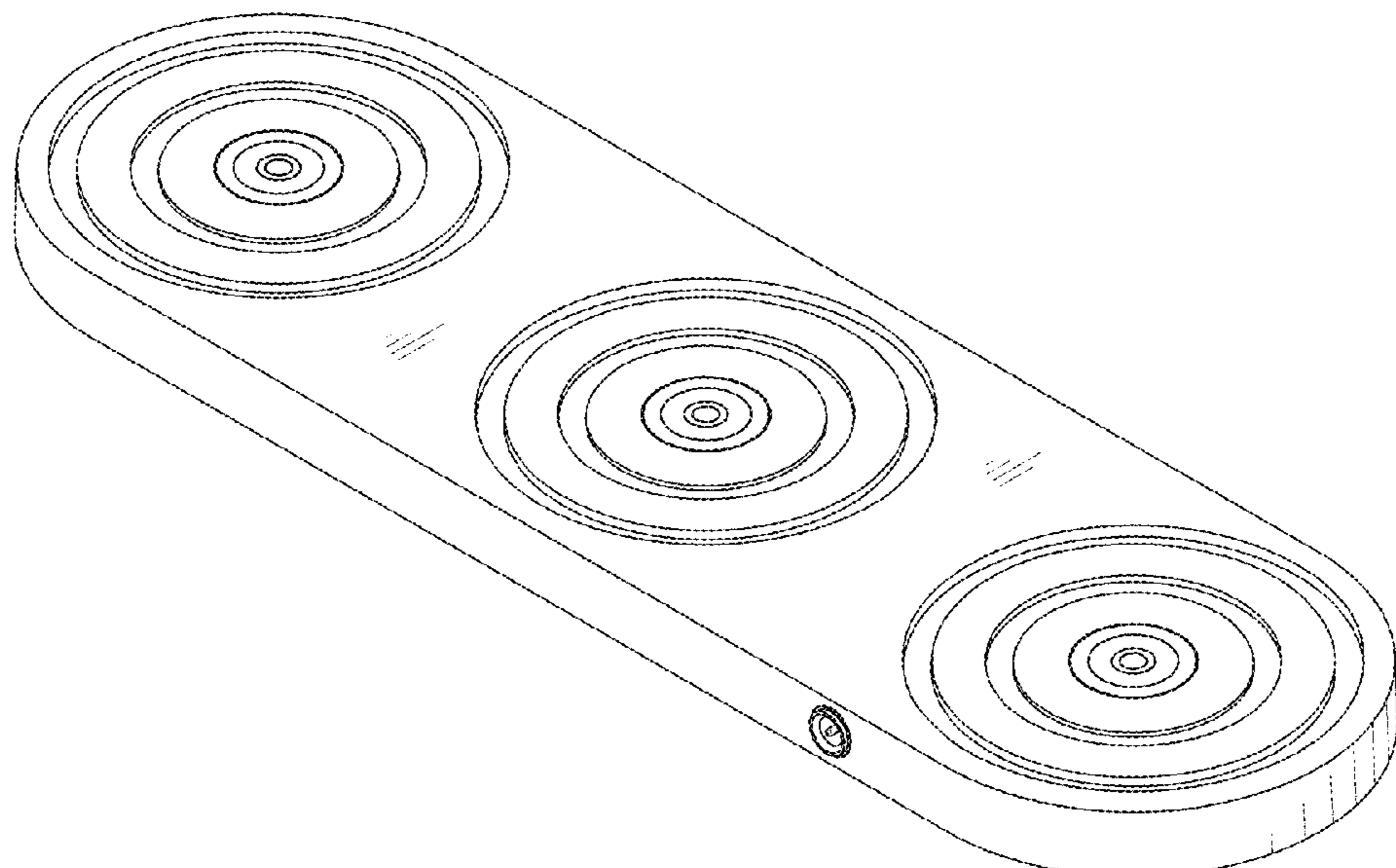
D693,765 S * 11/2013 Workman D13/110
D707,627 S * 6/2014 Brunner D13/110
D722,023 S * 2/2015 Brunner D13/110
D731,967 S * 6/2015 Tuhkanen D13/108
D797,041 S * 9/2017 Meyerhoffer D13/107
D797,042 S * 9/2017 Miller D13/107
D813,806 S * 3/2018 Ito D13/108
D815,593 S * 4/2018 Alves D13/108
D833,389 S * 11/2018 Dunham D13/108
D833,451 S * 11/2018 Paolizzi D14/453
D851,177 S * 6/2019 Bo D21/455
D872,016 S * 1/2020 Liao D13/108
D872,691 S * 1/2020 Liao D13/108
D875,678 S * 2/2020 Kim D13/108
D883,202 S * 5/2020 Edwards D13/108
D883,921 S * 5/2020 Ryu D13/108
D886,058 S * 6/2020 Yoon D13/108
D887,977 S * 6/2020 Weinstein H02J 7/0027
D13/108
D888,661 S * 6/2020 Yoon D13/108
D890,095 S * 7/2020 Liao D13/110
D891,367 S * 7/2020 Covington D13/108

* cited by examiner
Primary Examiner — Rosemary K Tarcza
(74) *Attorney, Agent, or Firm* — Alan D. Kamrath; Mayer & Williams PC

(57) **CLAIM**
The ornamental design for a charging stand, as shown and described.

DESCRIPTION
FIG. 1 is a perspective view of a charging stand showing my design.
FIG. 2 is a front elevational view thereof.
FIG. 3 is a rear elevational view thereof.
FIG. 4 is a left side elevational view thereof.
FIG. 5 is a right side elevational view thereof.
FIG. 6 is a top plan view thereof; and,
FIG. 7 is a bottom plan view thereof.

1 Claim, 4 Drawing Sheets



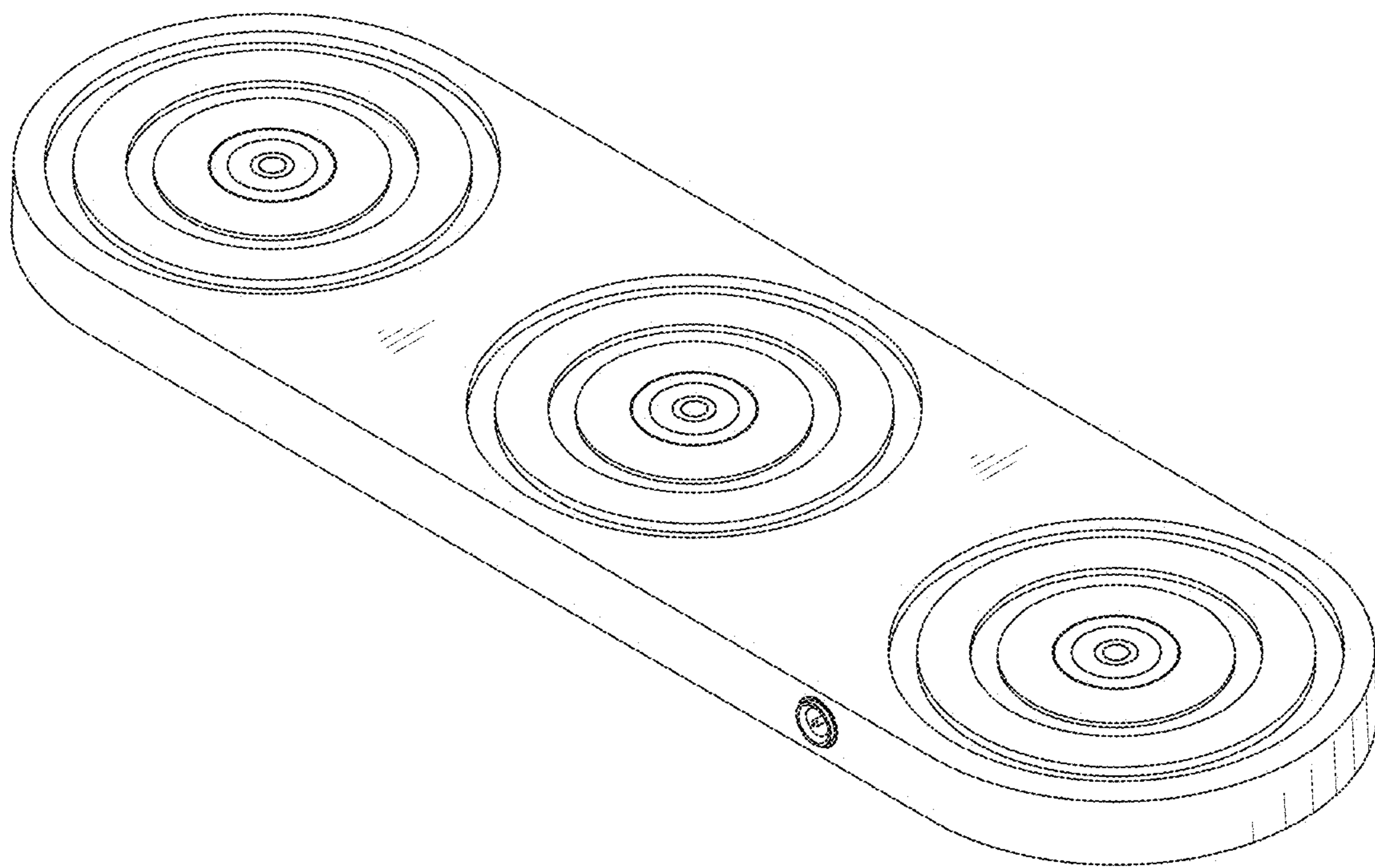


FIG.1



FIG.2



FIG.3



FIG. 4

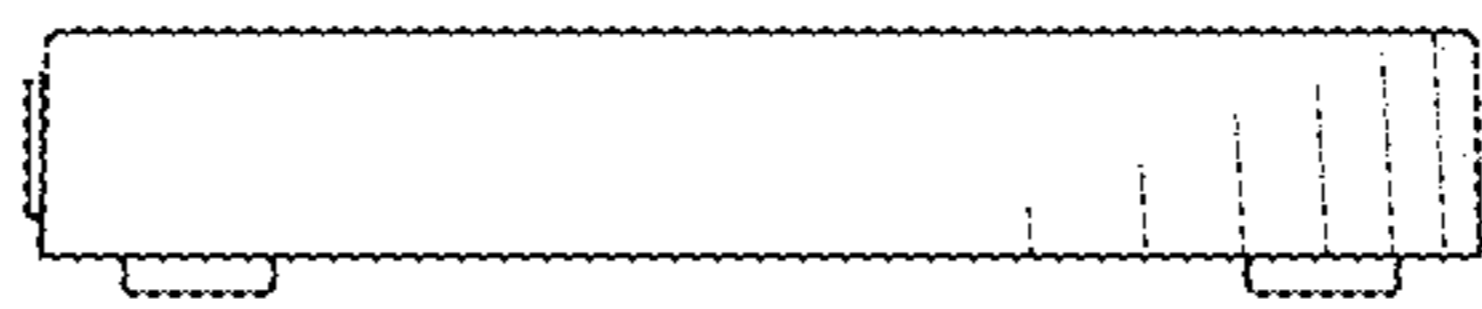


FIG. 5

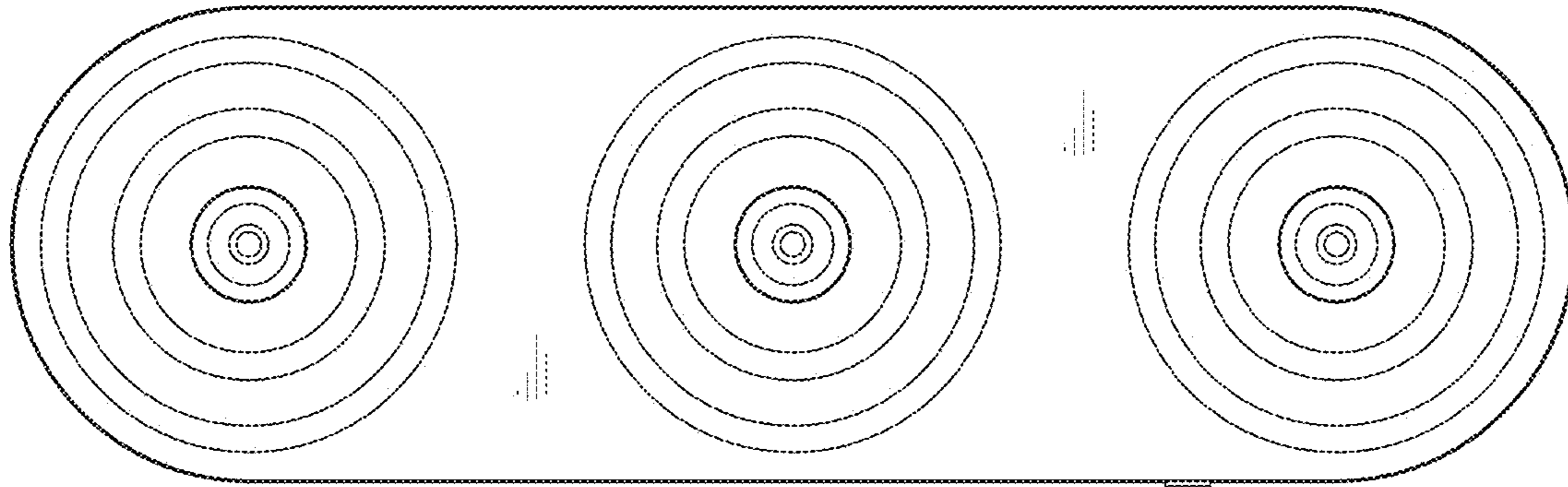


FIG. 6

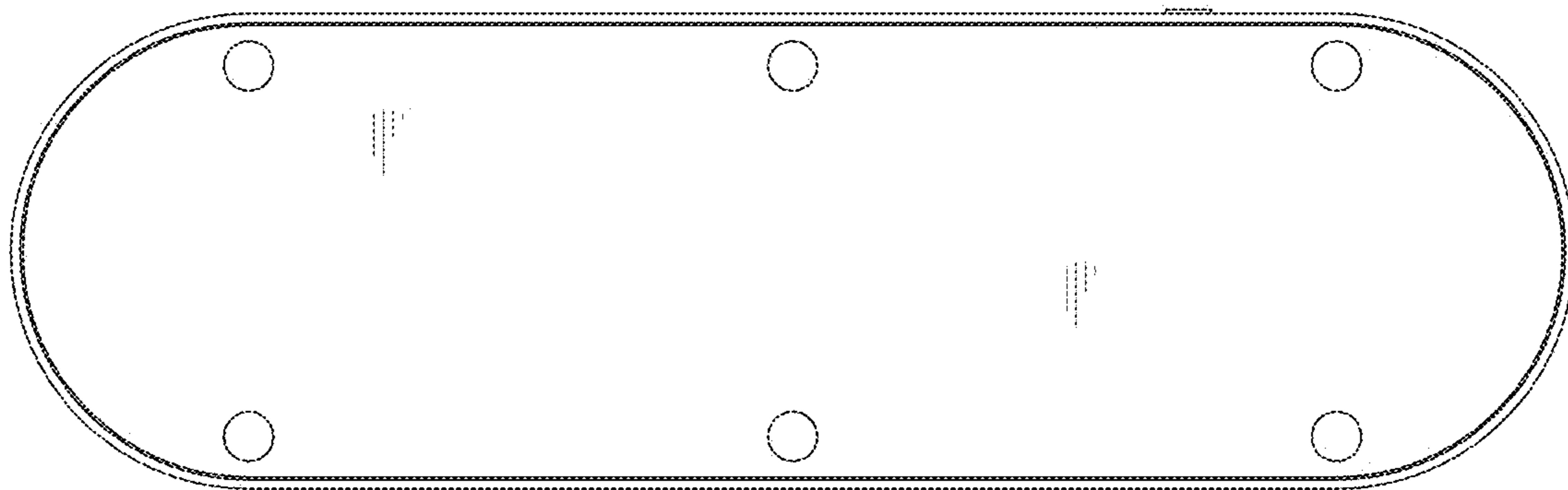


FIG. 7