



US00D900729S

(12) **United States Design Patent**  
**Fujioka**

(10) **Patent No.:** **US D900,729 S**

(45) **Date of Patent:** **\*\* Nov. 3, 2020**

(54) **TIRE**  
(71) Applicant: **Toyo Tire Corporation**, Itami (JP)  
(72) Inventor: **Tsuyoshi Fujioka**, Itami (JP)  
(73) Assignee: **Toyo Tire Corporation**, Itami (JP)  
(\*\*) Term: **15 Years**

D695,211 S \* 12/2013 Yasunaga ..... D12/605  
D710,297 S \* 8/2014 Itoi ..... D12/605  
D754,063 S \* 4/2016 Iwabuchi ..... D12/605  
D773,987 S \* 12/2016 Ishikawa ..... D12/605  
D773,988 S \* 12/2016 Itoi ..... D12/605  
D777,094 S \* 1/2017 Takahashi ..... D12/605  
D792,337 S \* 7/2017 Ishikawa ..... D12/605  
D792,338 S \* 7/2017 Itoi ..... D12/605

(Continued)

(21) Appl. No.: **29/686,245**  
(22) Filed: **Apr. 3, 2019**

FOREIGN PATENT DOCUMENTS

JP 1525417 S 3/2016

*Primary Examiner* — Michelle E. Wilson

*Assistant Examiner* — Clese Moore, Jr.

(74) *Attorney, Agent, or Firm* — Sterne, Kessler,  
Goldstein & Fox P.L.L.C.

(30) **Foreign Application Priority Data**

Oct. 23, 2018 (JP) ..... 2018-023176

(51) **LOC (12) Cl.** ..... **12-15**

(52) **U.S. Cl.**  
USPC ..... **D12/605**

(58) **Field of Classification Search**  
USPC ..... D12/604, 605  
CPC ..... B60C 13/00; B60C 1/00  
See application file for complete search history.

(57) **CLAIM**

The ornamental design for a tire, as shown and described.

(56) **References Cited**

U.S. PATENT DOCUMENTS

D503,146 S \* 3/2005 Maxwell ..... D12/605  
D517,003 S \* 3/2006 Shondel ..... D12/605  
D541,212 S \* 4/2007 Smith ..... D12/605  
D546,273 S \* 7/2007 Dumigan ..... D12/605  
D552,535 S \* 10/2007 Smith ..... D12/605  
D553,076 S \* 10/2007 Miyasaka ..... D12/605  
D575,222 S \* 8/2008 Fujita ..... D12/605  
D581,354 S \* 11/2008 Harvey ..... D12/605  
D588,532 S \* 3/2009 Shondel ..... D12/605  
D593,939 S \* 6/2009 Maxwell ..... D12/605  
D596,116 S \* 7/2009 Fujita ..... D12/605  
D610,978 S \* 3/2010 Harvey ..... D12/605  
D650,323 S \* 12/2011 Morito ..... D12/605  
D669,845 S \* 10/2012 Iwabuchi ..... D12/605  
D683,695 S \* 6/2013 Takeshima ..... D12/605

**DESCRIPTION**

FIG. 1 is a front perspective view of a tire showing the claimed design;

FIG. 2 is a front view thereof;

FIG. 3 is a rear view thereof;

FIG. 4 is a top plan view thereof;

FIG. 5 is a bottom plan view thereof;

FIG. 6 is a right side view thereof;

FIG. 7 is a left side view thereof;

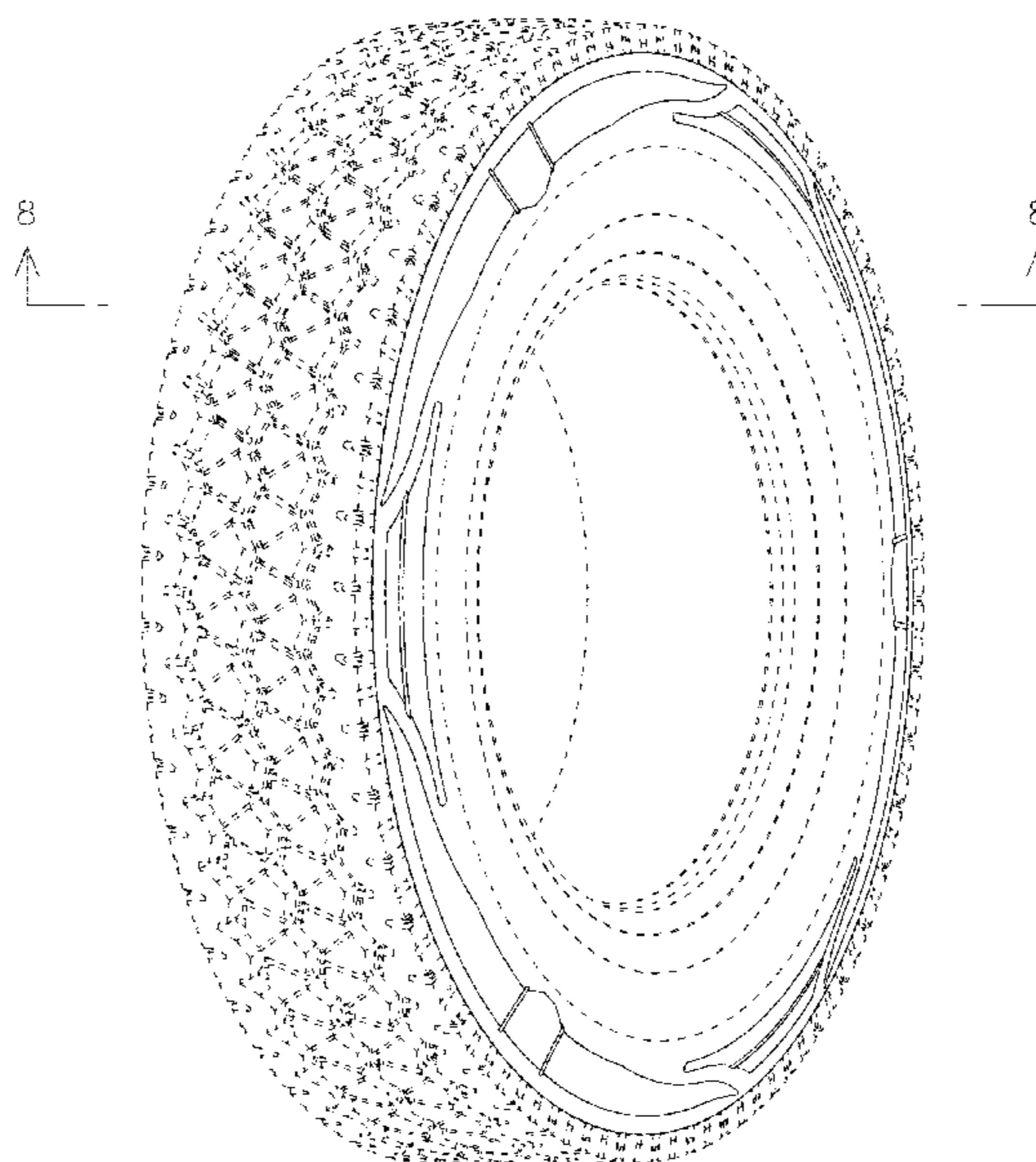
FIG. 8 is an enlarged view taken along line 8-8 in FIG. 1;

FIG. 9 is an enlarged view of the portion 9-9 in FIG. 2; and,

FIG. 10 is a cross-sectional view taken along line 10-10 in FIG. 9.

In the drawings, the broken lines show portions of the tire that form no part of the claimed design. The outermost broken lines of the sidewall form the boundary of the claim and form no part thereof.

**1 Claim, 10 Drawing Sheets**



(56)

**References Cited**

U.S. PATENT DOCUMENTS

D792,340 S \* 7/2017 Iwabuchi ..... D12/605  
D826,844 S \* 8/2018 Yasunaga ..... D12/605  
D829,162 S \* 9/2018 Sano ..... D12/605

\* cited by examiner

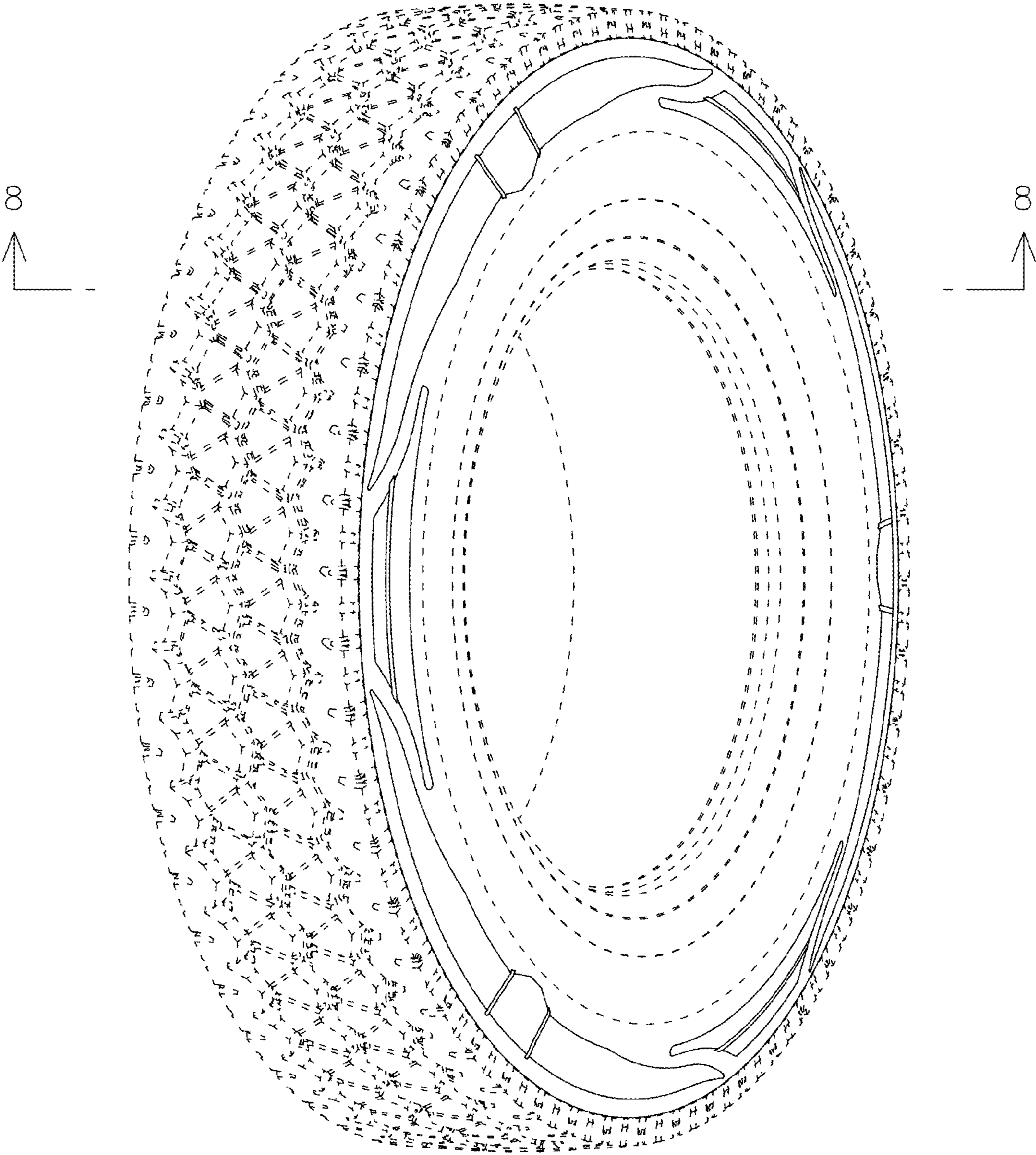


FIG. 1

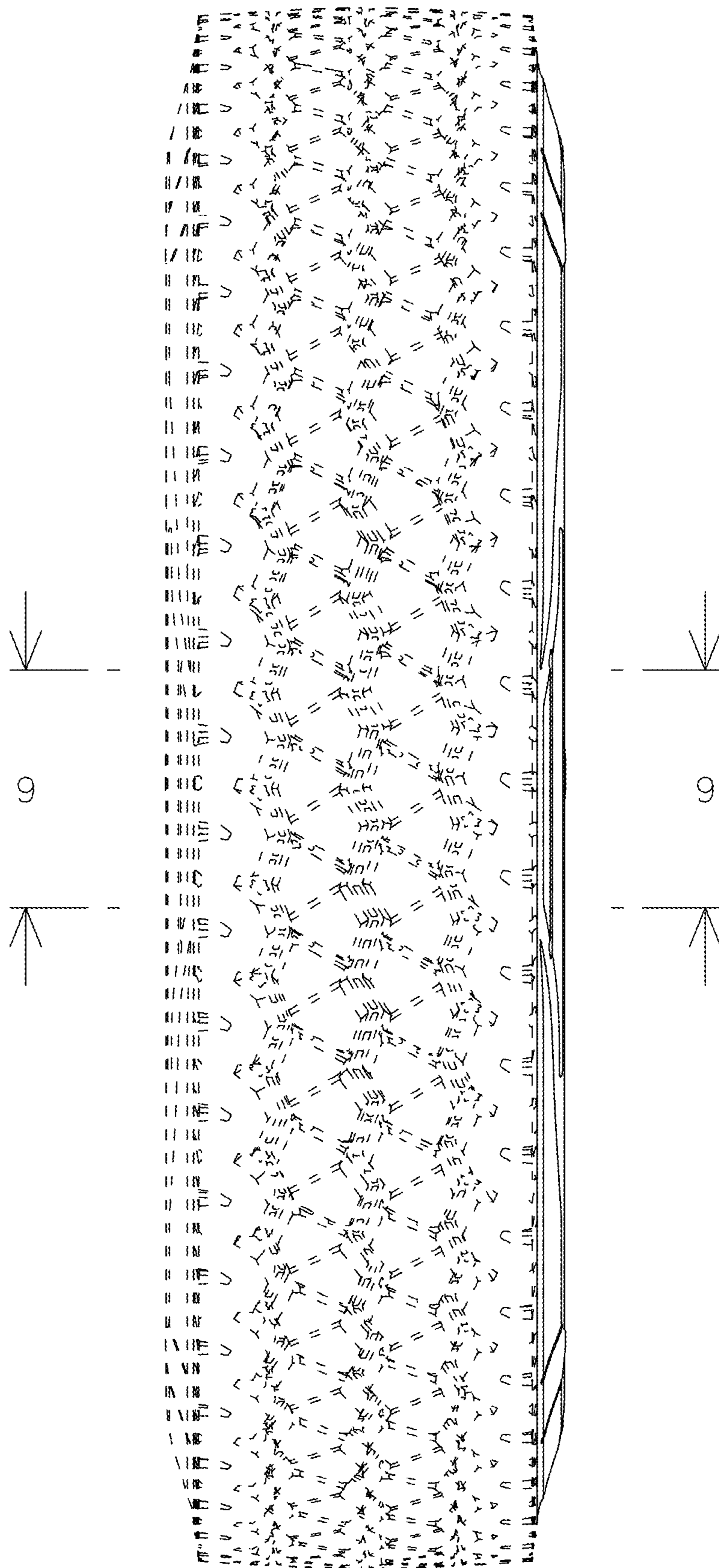


FIG. 2

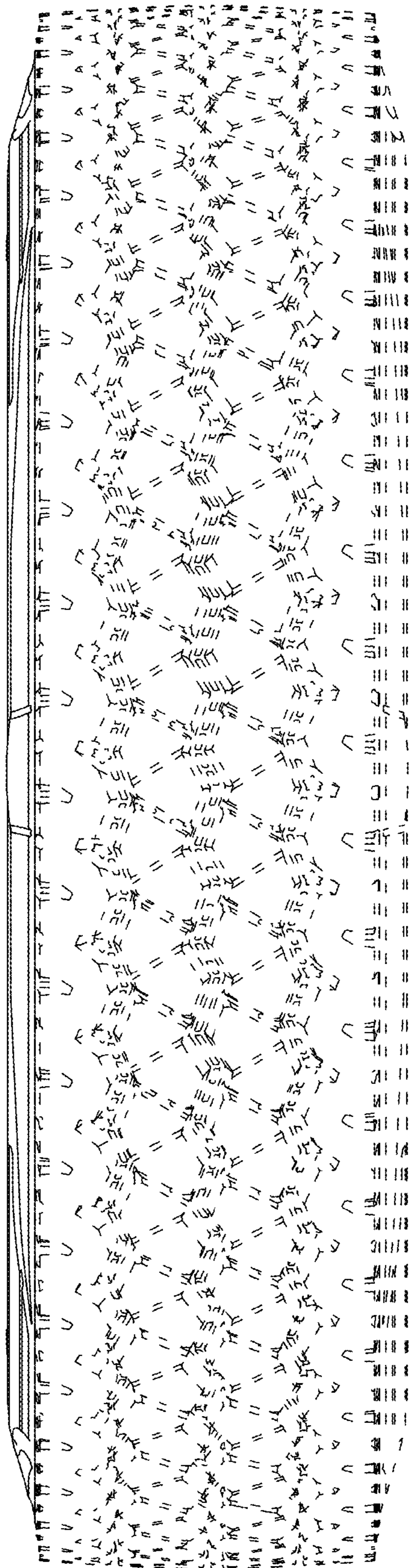


FIG. 3

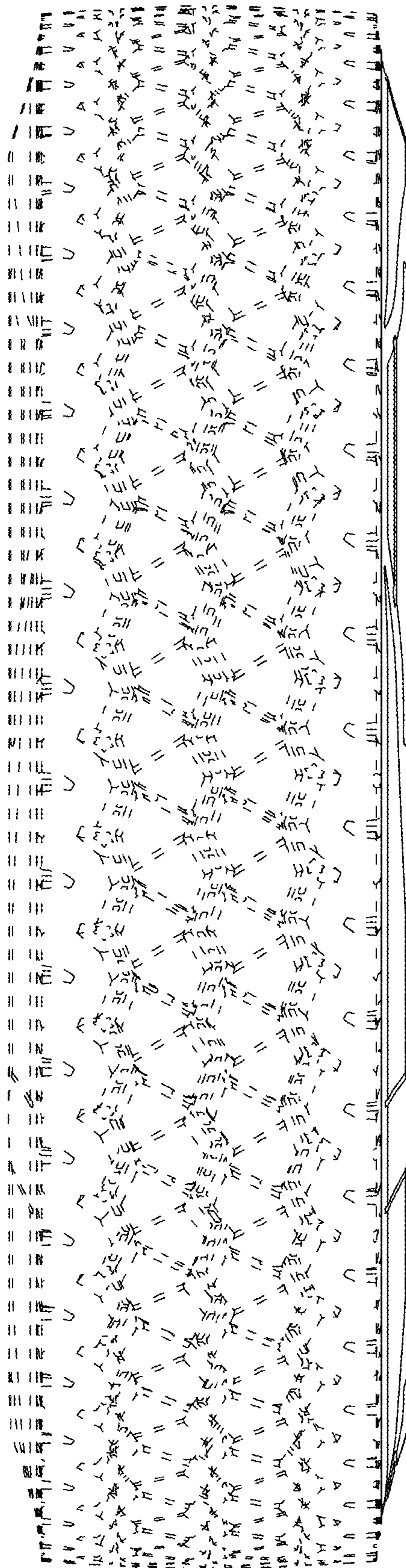


FIG. 4

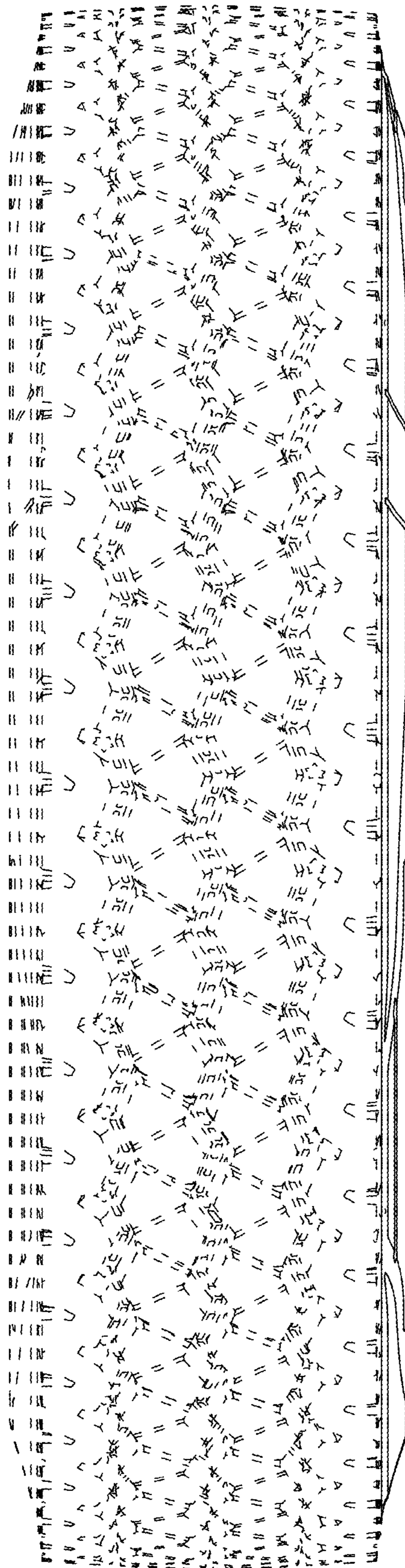


FIG. 5

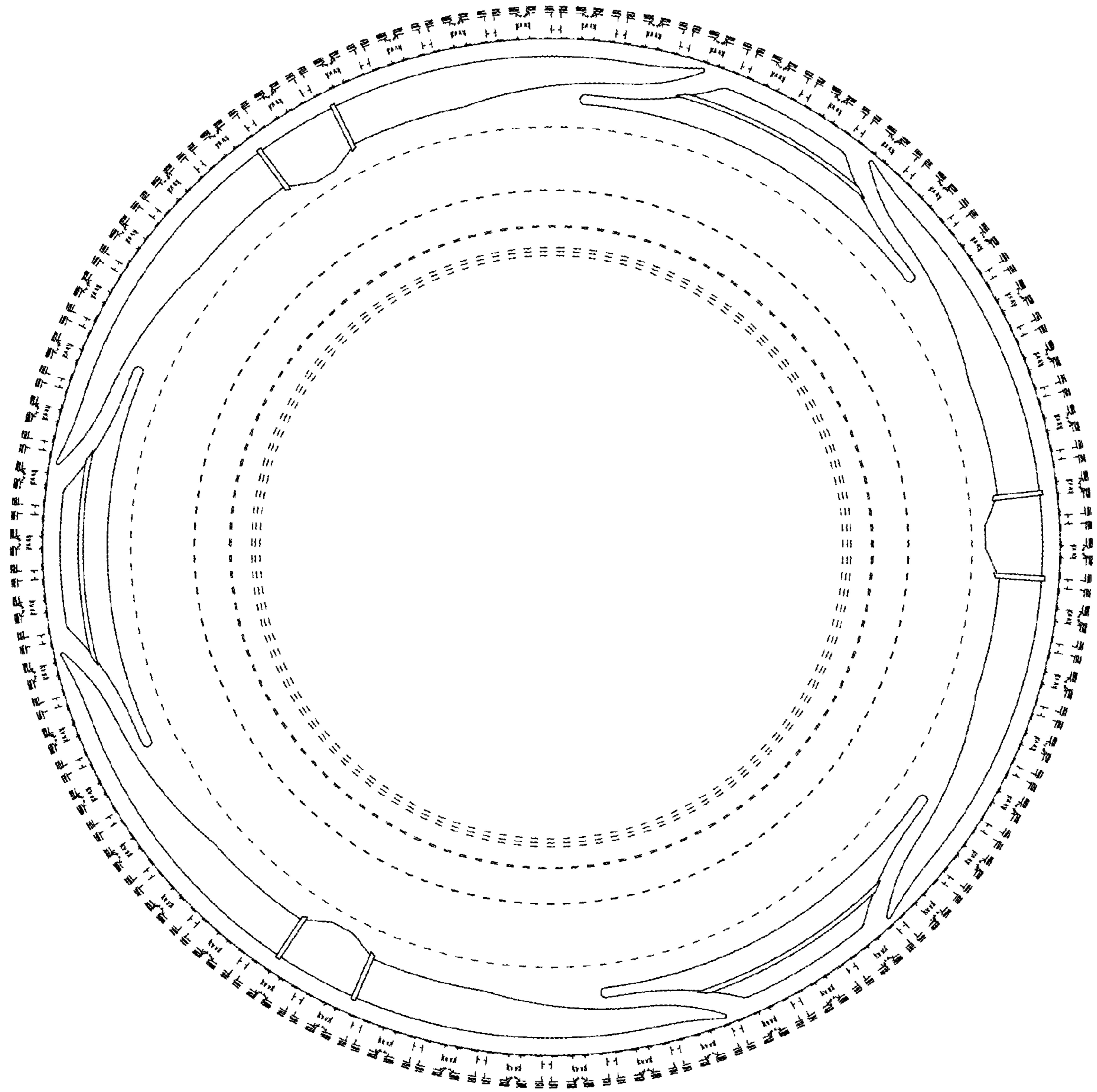


FIG. 6



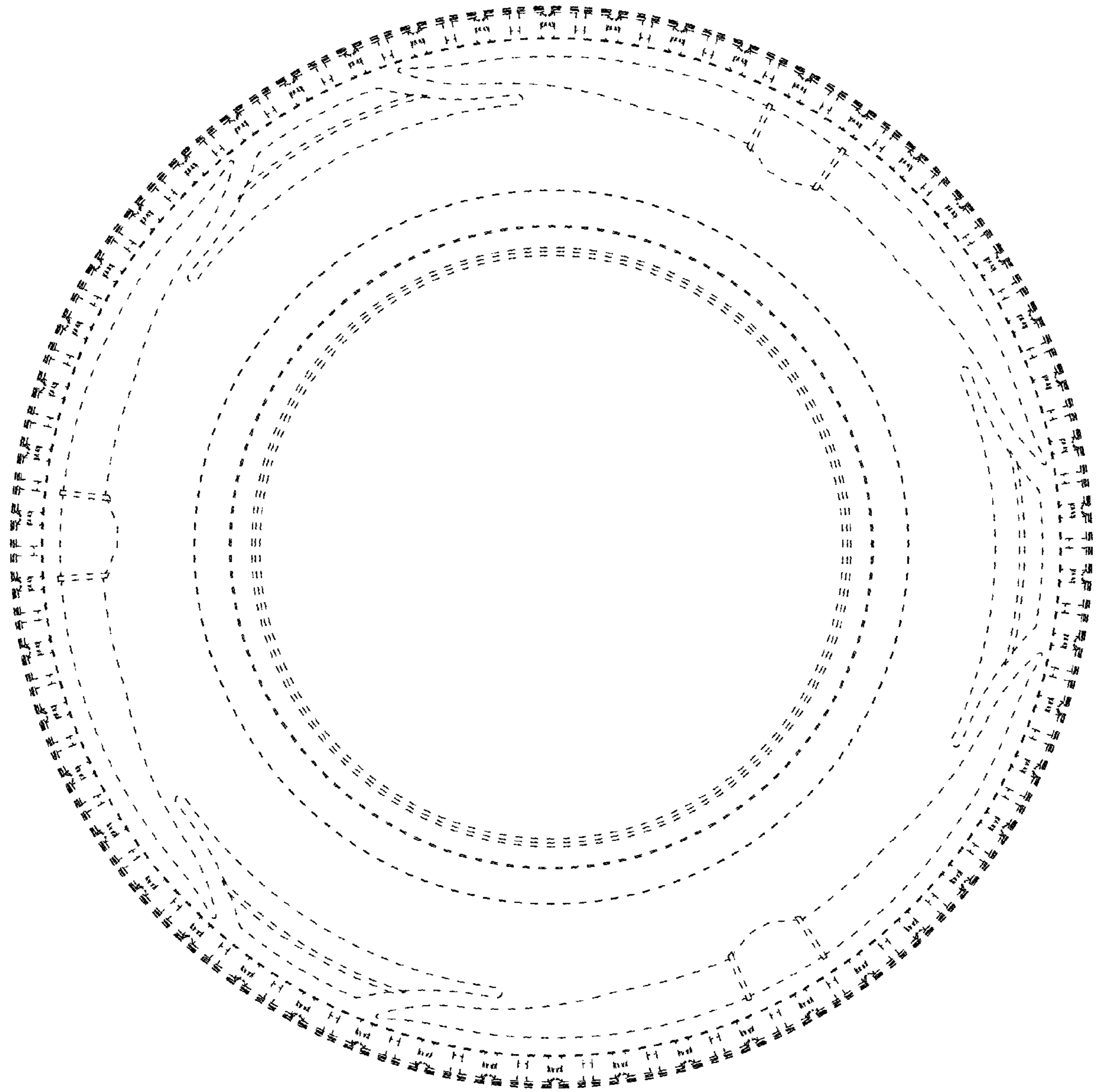


FIG. 7

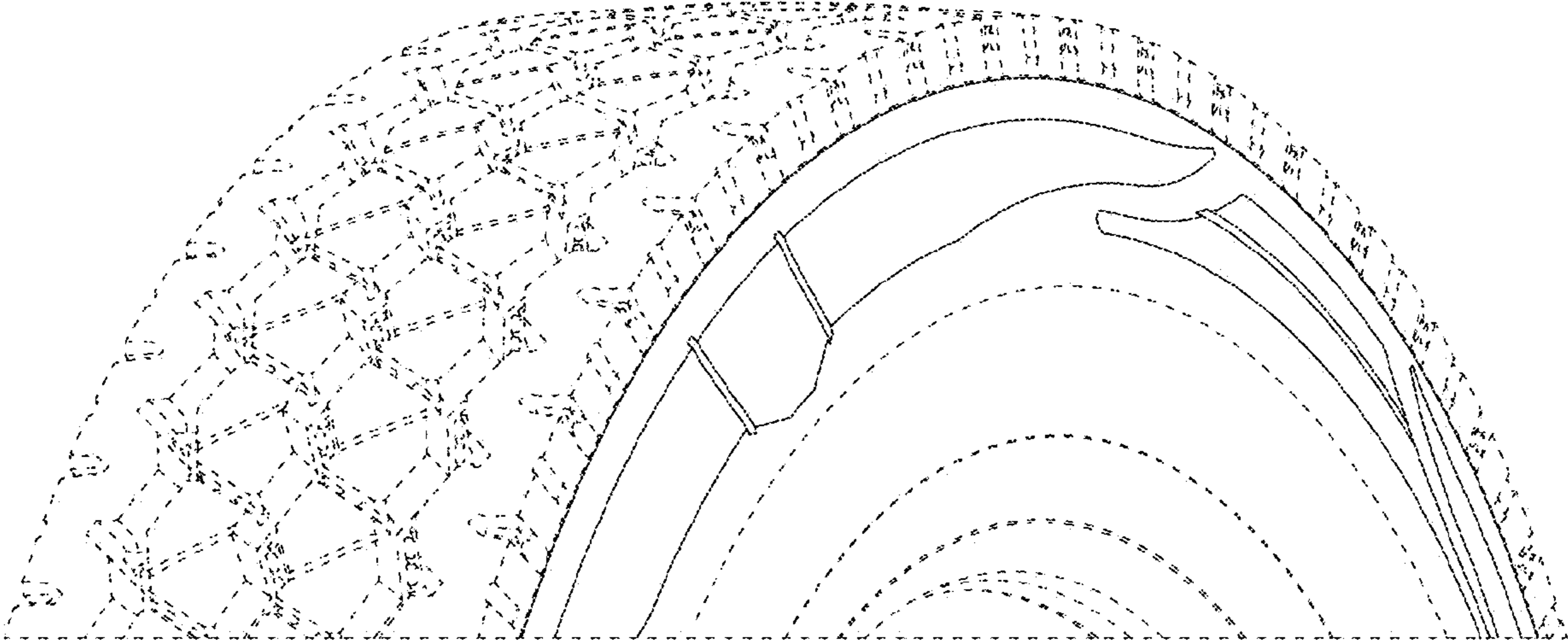


FIG. 8

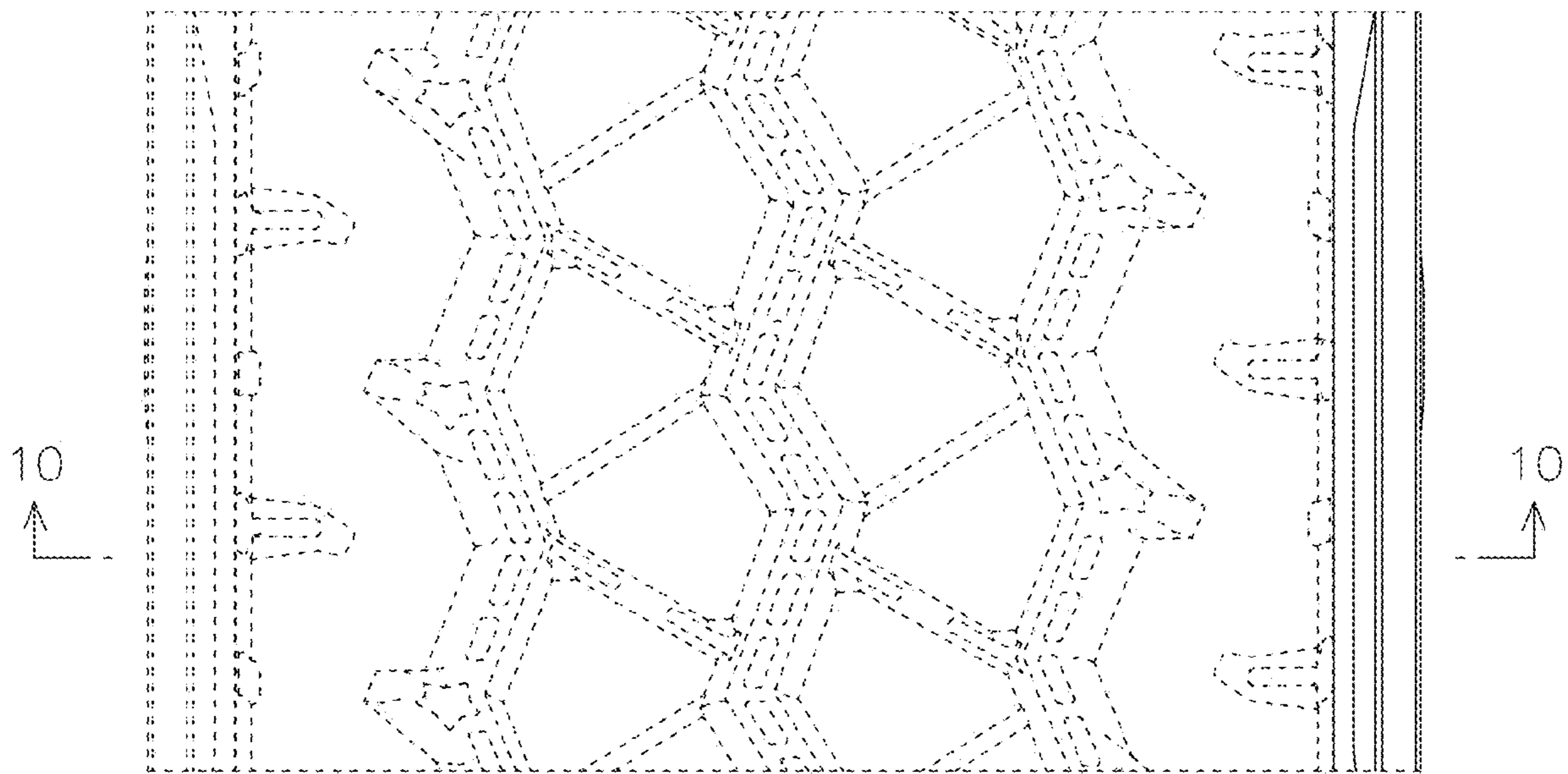


FIG. 9

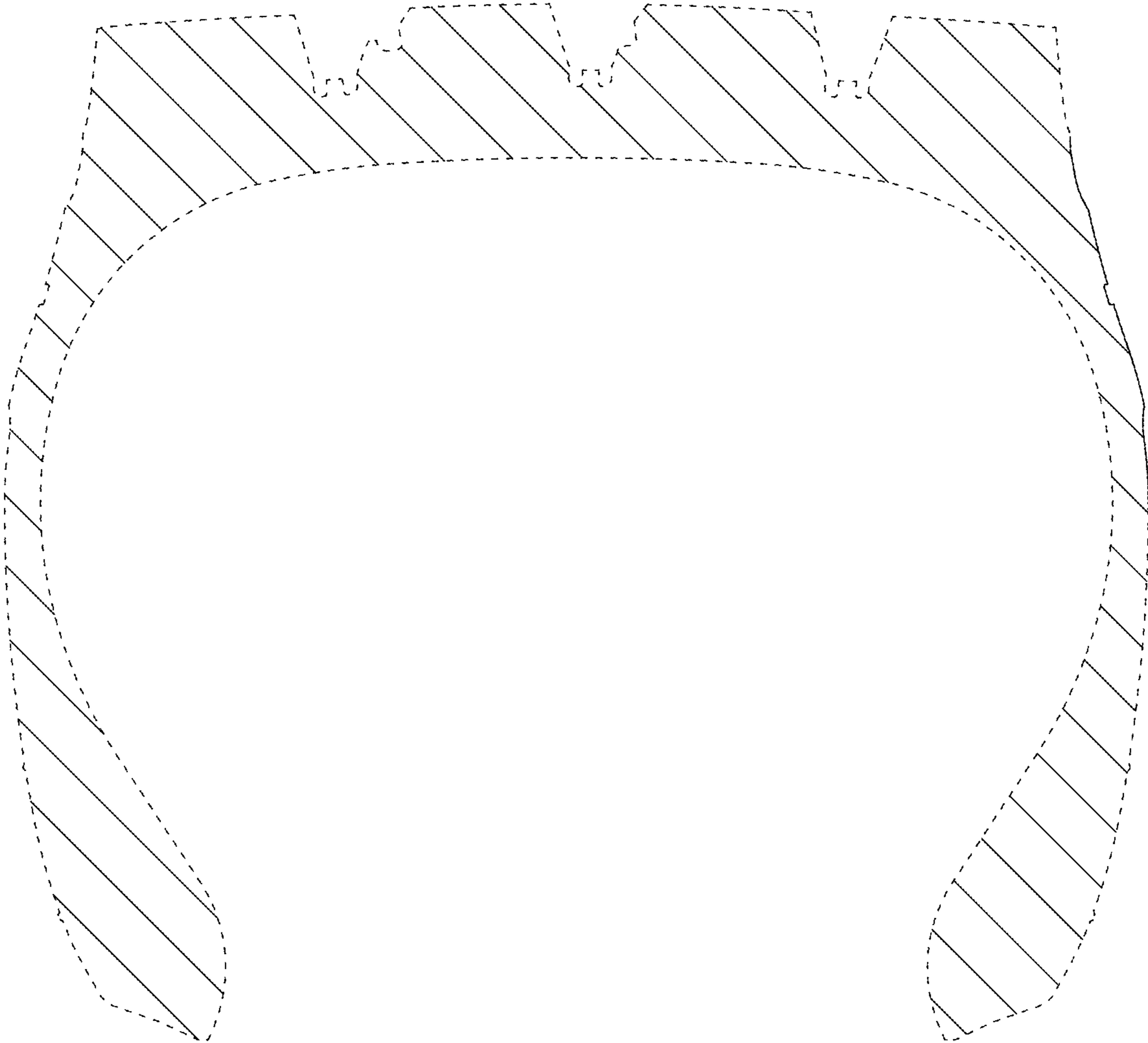


FIG. 10