



US00D900728S

(12) **United States Design Patent** (10) **Patent No.:** **US D900,728 S**
Dixon et al. (45) **Date of Patent:** **** Nov. 3, 2020**

(54) **TIRE**

FOREIGN PATENT DOCUMENTS

(71) Applicant: **The Goodyear Tire & Rubber Company**, Akron, OH (US)

CN 3599998 1/2007
JP 1371144 S 10/2009

(72) Inventors: **Max Harold Dixon**, Kent, OH (US);
Donald Lee Cuthbert, Jr., Hartville, OH (US);
Todd Andrew Bachochin, Peninsula, OH (US)

OTHER PUBLICATIONS

Japanese Decision to Grant received by Applicant Jan. 30, 2020 for corresponding Goodyear Docket No. GYP2019-043

(73) Assignee: **The Goodyear Tire & Rubber Company**, Akron, OH (US)

Primary Examiner — Robert M. Spear

(74) *Attorney, Agent, or Firm* — Robert N. Lipsik

(**) Term: **15 Years**

(57) **CLAIM**

The ornamental Design for a tire, as shown and described.

(21) Appl. No.: **29/691,247**

(22) Filed: **May 15, 2019**

DESCRIPTION

(51) **LOC (12) Cl.** **12-15**

(52) **U.S. Cl.**
USPC **D12/601**

(58) **Field of Classification Search**
USPC D12/502, 581, 586, 587, 588, 589, 590,
D12/594, 595, 600, 601
CPC B60C 11/032; B60C 11/0388
See application file for complete search history.

FIG. 1 is a perspective view of a tire showing our new design, it being understood that the pattern repeats uniformly throughout the circumference of the tread;

FIG. 2 is a front elevational view thereof;

FIG. 3 is a right side elevational view thereof; the left side elevational view being identical thereto;

FIG. 4 is an enlarged fragmentary front elevational view thereof;

FIG. 5 is a perspective view of a second embodiment of a tire showing our new design, it being understood that the interior of the tire forms no part of the claim, that the pattern repeats uniformly throughout the circumference of the tread and that the opposite side view is identical thereto; and,

FIG. 6 is a front elevational view of a second embodiment, it being understood that an enlarged fragmentary view thereof would be substantially identical to that shown in FIG. 4, with the exception of the inclusion of the sidewall in the claim.

In the drawings, the broken lines immediately adjacent to the outer edges of the tire shoulder represent boundaries of the claim, and the broken lines depict environmental subject matter only and form no part of the claimed design.

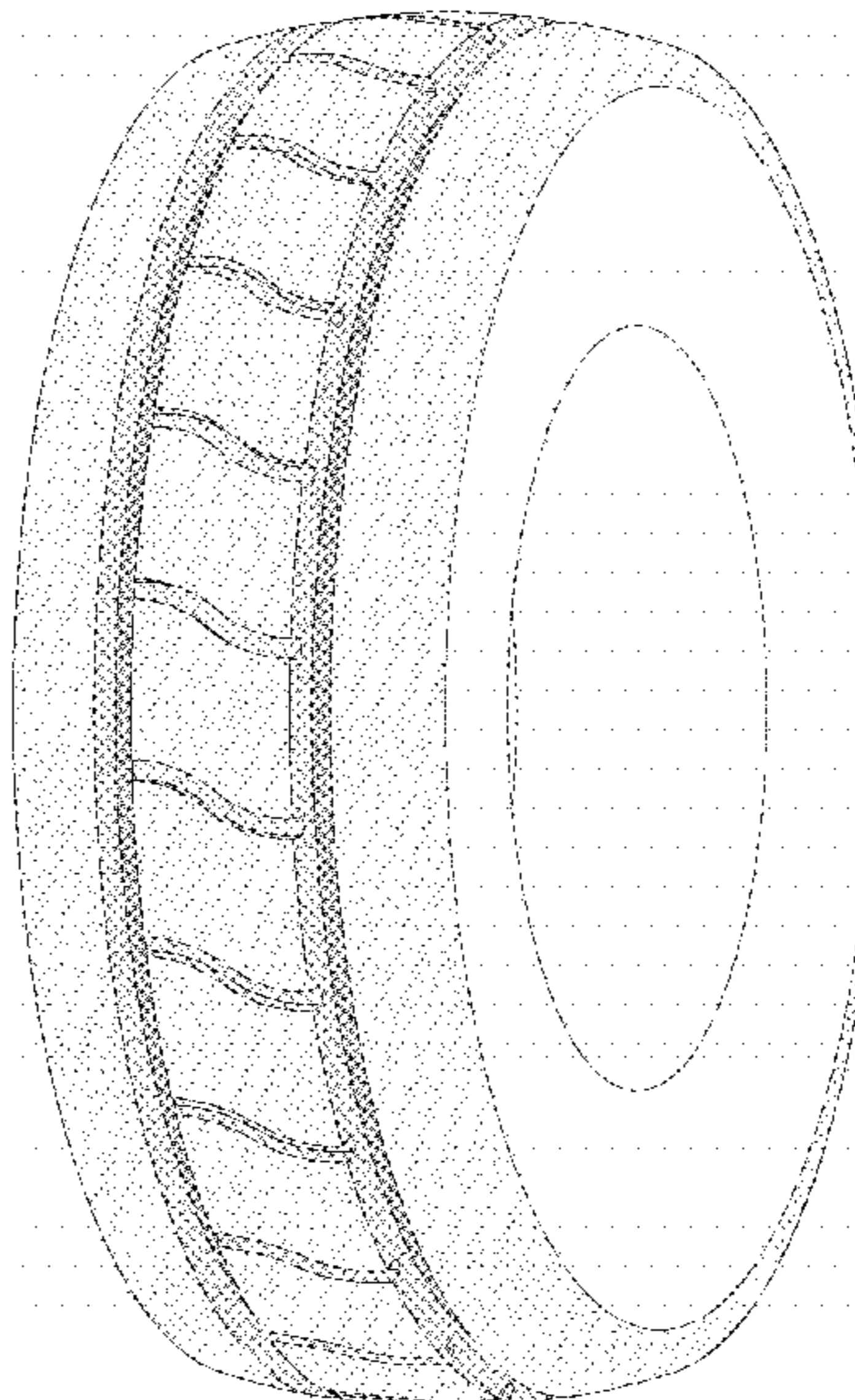
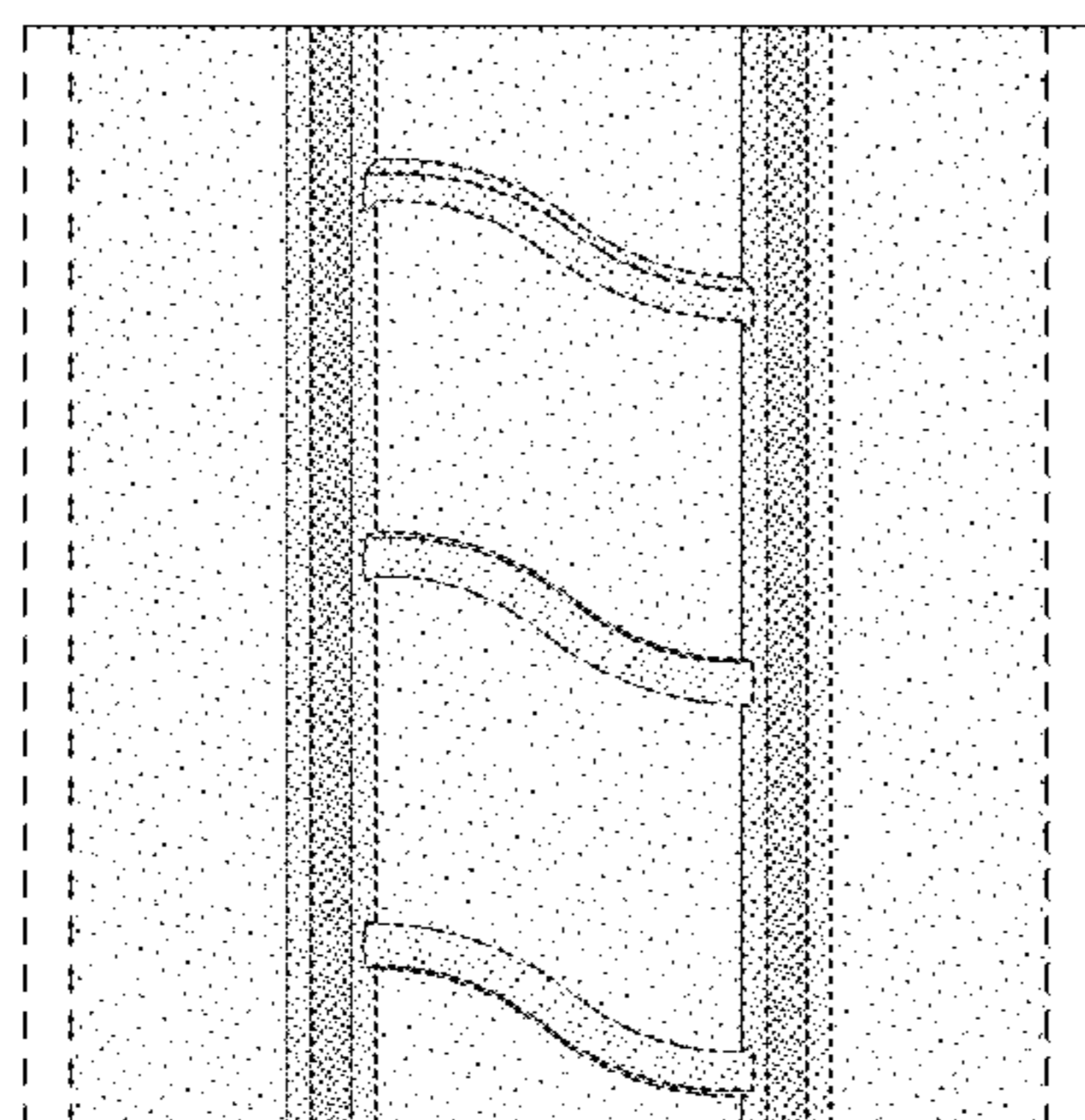
(56) **References Cited**

U.S. PATENT DOCUMENTS

D177,233 S *	3/1956	Hawkinson	D12/598
D384,622 S	10/1997	Scheuren et al.	D12/147
D385,519 S	10/1997	de Briey-Terlinden et al.	D12/147
D388,033 S	12/1997	Scheuren et al.	D12/146
D412,302 S *	7/1999	Rayman	D12/579
D429,480 S	8/2000	Bonko	D12/152
D455,119 S *	4/2002	Welbes	D12/595
D461,162 S *	8/2002	Young	D12/595
D464,933 S *	10/2002	Welbes	D12/595
D467,865 S	12/2002	Comps et al.	D12/594
D481,669 S	11/2003	Hanna	D12/579

(Continued)

1 Claim, 6 Drawing Sheets



(56)

References Cited

U.S. PATENT DOCUMENTS

D481,990 S	11/2003	Hanna	D12/579
D492,643 S	7/2004	Robert	D12/579
D549,157 S	8/2007	Maus et al.	D12/544
D583,312 S	12/2008	Murphy et al.	D12/602
D610,075 S	2/2010	Song	D12/593
D619,085 S	7/2010	Murphy et al.	D12/591
D628,954 S	12/2010	Shan et al.	D12/583
D635,913 S *	4/2011	Ono	D12/604
D636,329 S *	4/2011	Pringiers	D12/592
D646,628 S	10/2011	Yoda et al.	
D648,674 S	11/2011	Mayni et al.	D12/600
D662,038 S	6/2012	Mayni et al.	D12/600
D695,210 S	12/2013	Tanaka	D12/600
D730,271 S	5/2015	Lundgren et al.	D12/585
D731,406 S	6/2015	Yamaguchi	D12/600
D755,711 S	5/2016	Krier et al.	D12/535
D761,191 S	7/2016	Krier et al.	D12/587
D764,397 S	8/2016	Dixon et al.	D12/601
D781,779 S	3/2017	Anderson et al.	
D785,554 S	5/2017	Krier et al.	D12/599
D785,556 S *	5/2017	Dixon	D12/601
D789,283 S	6/2017	Song et al.	D12/587
D791,686 S	7/2017	Krier et al.	D12/553
D810,670 S	2/2018	Farinelle et al.	D12/579
D845,879 S	4/2019	Farinelle et al.	D12/552
D862,374 S *	10/2019	Kristen	D12/586
D868,680 S *	12/2019	Becker	D12/588

* cited by examiner

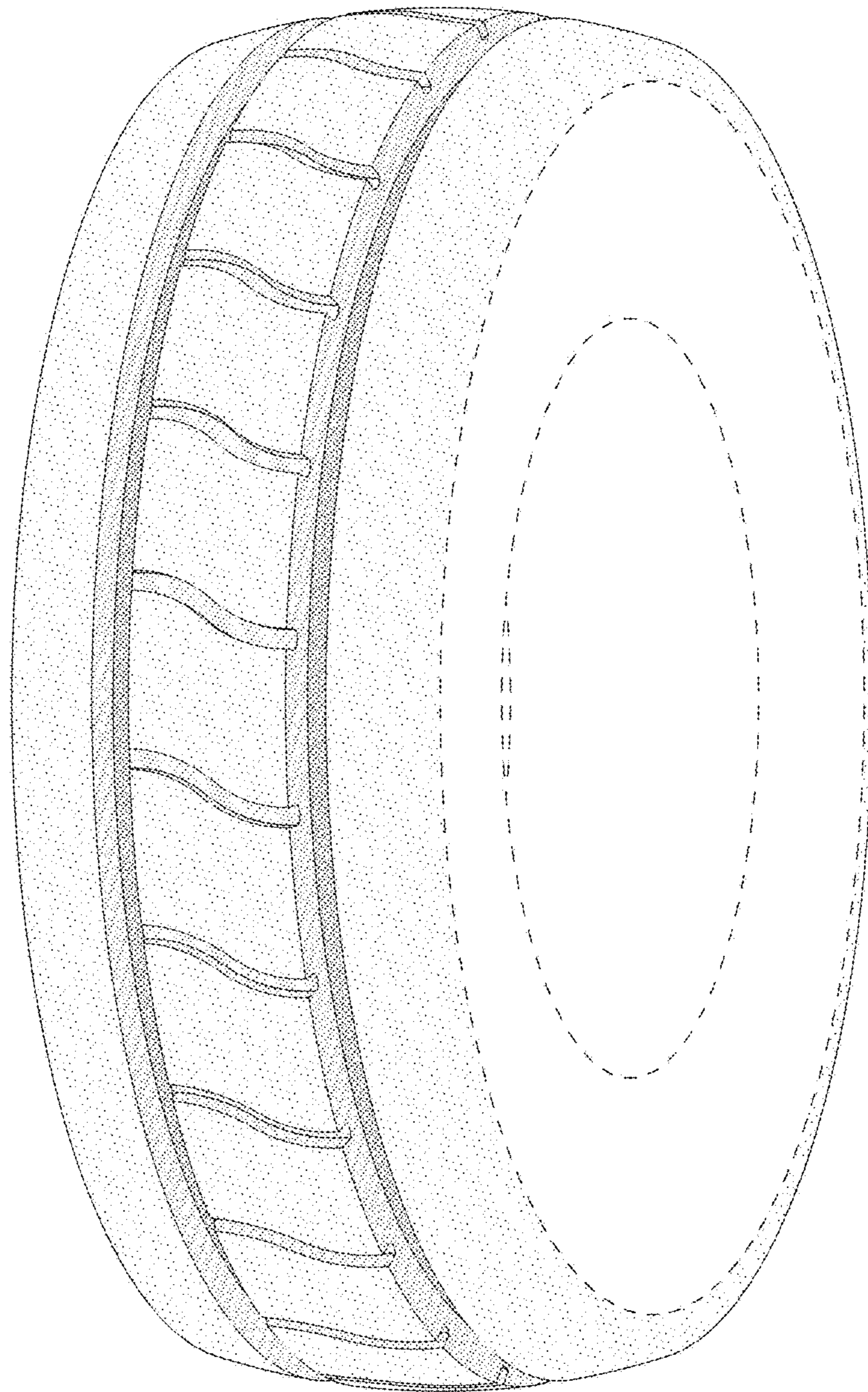


FIG - 1

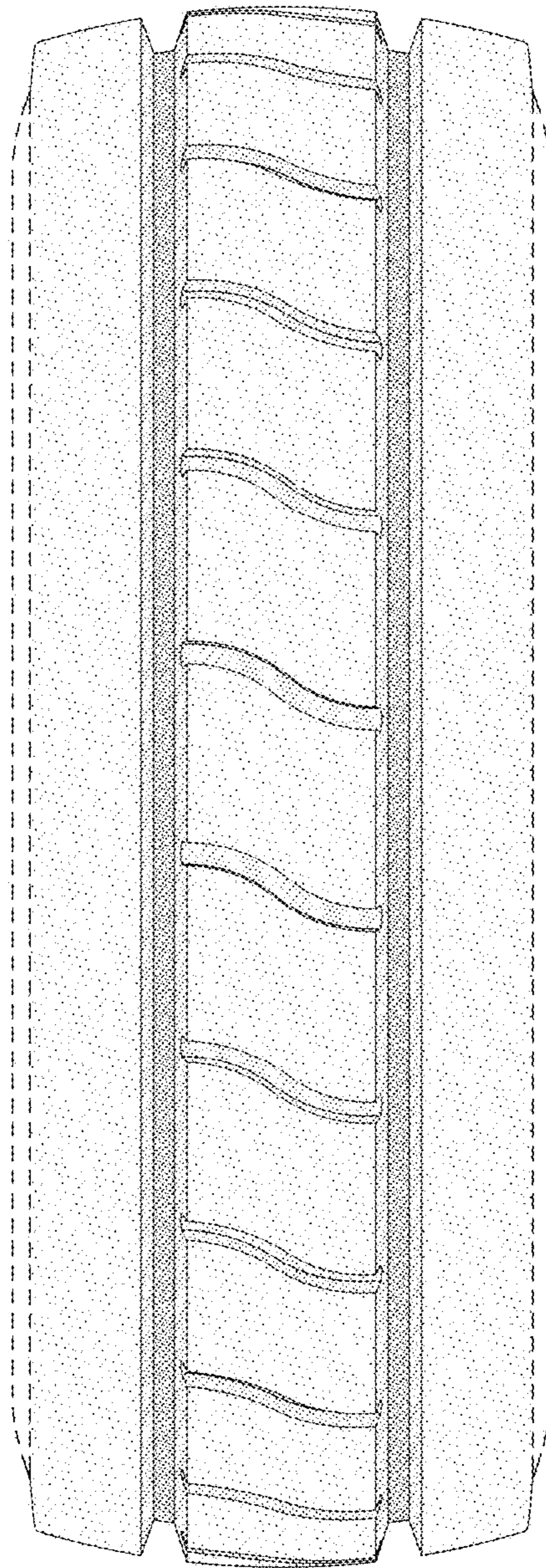


FIG - 2

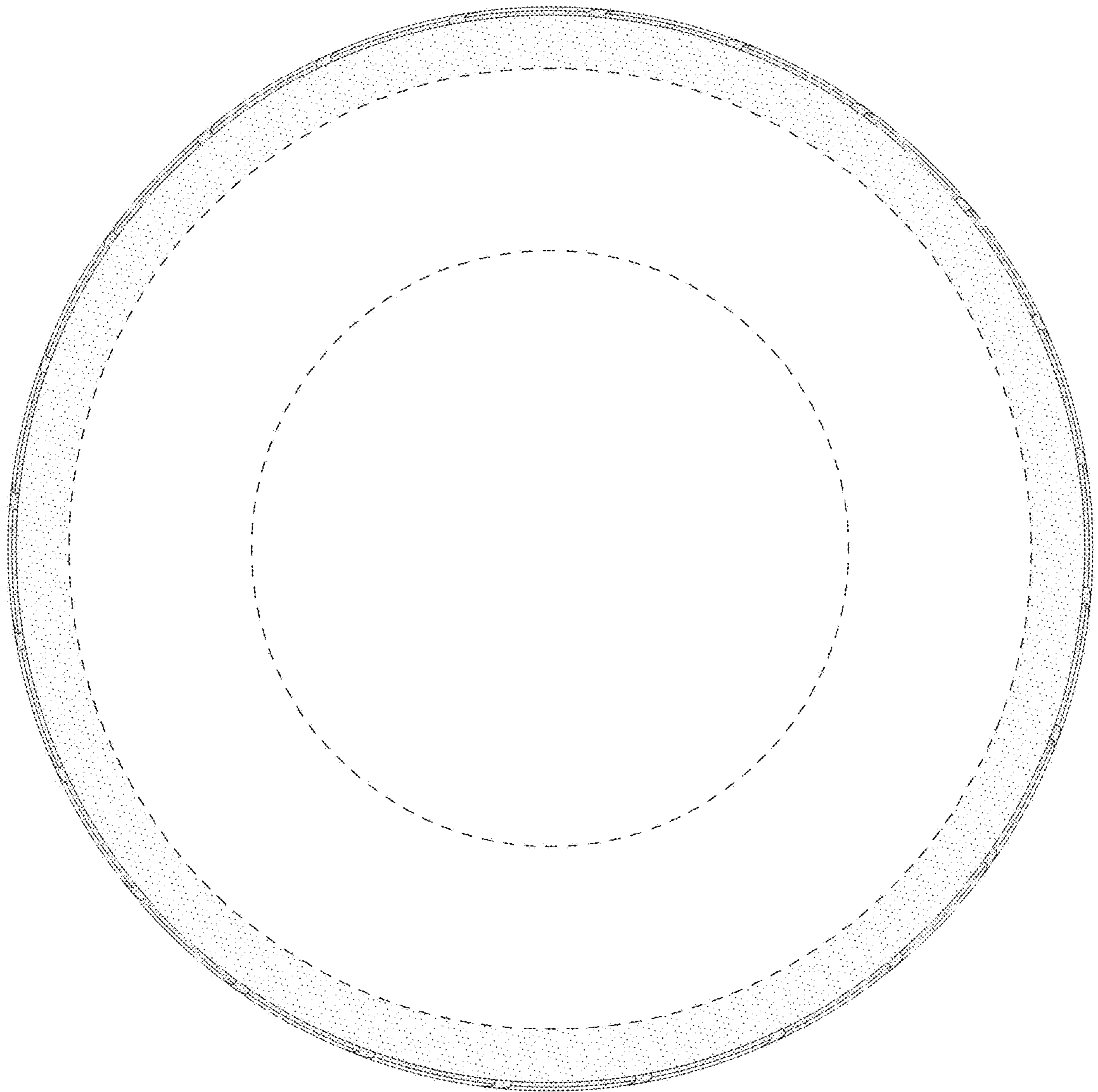


FIG - 3

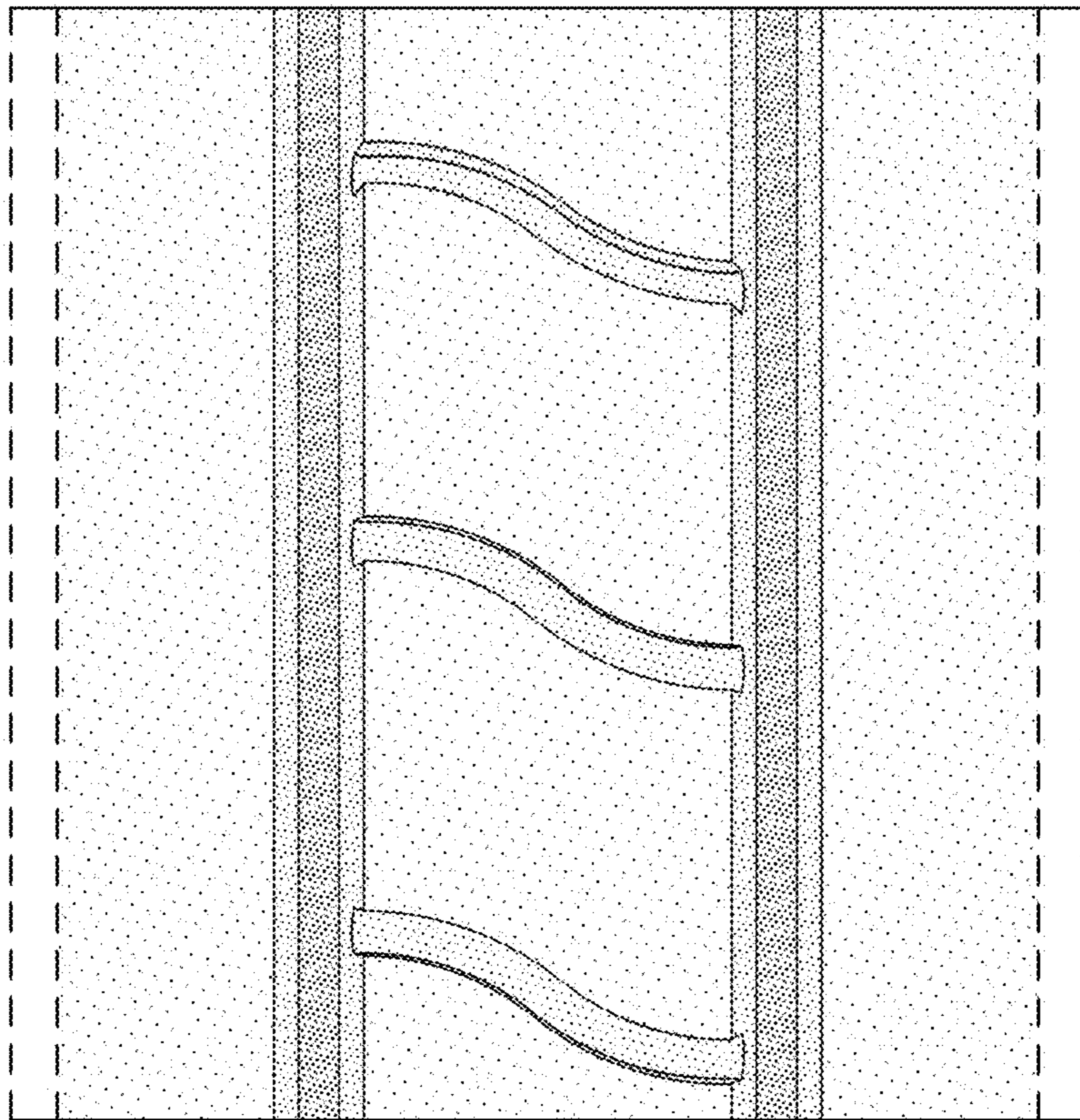


FIG - 4

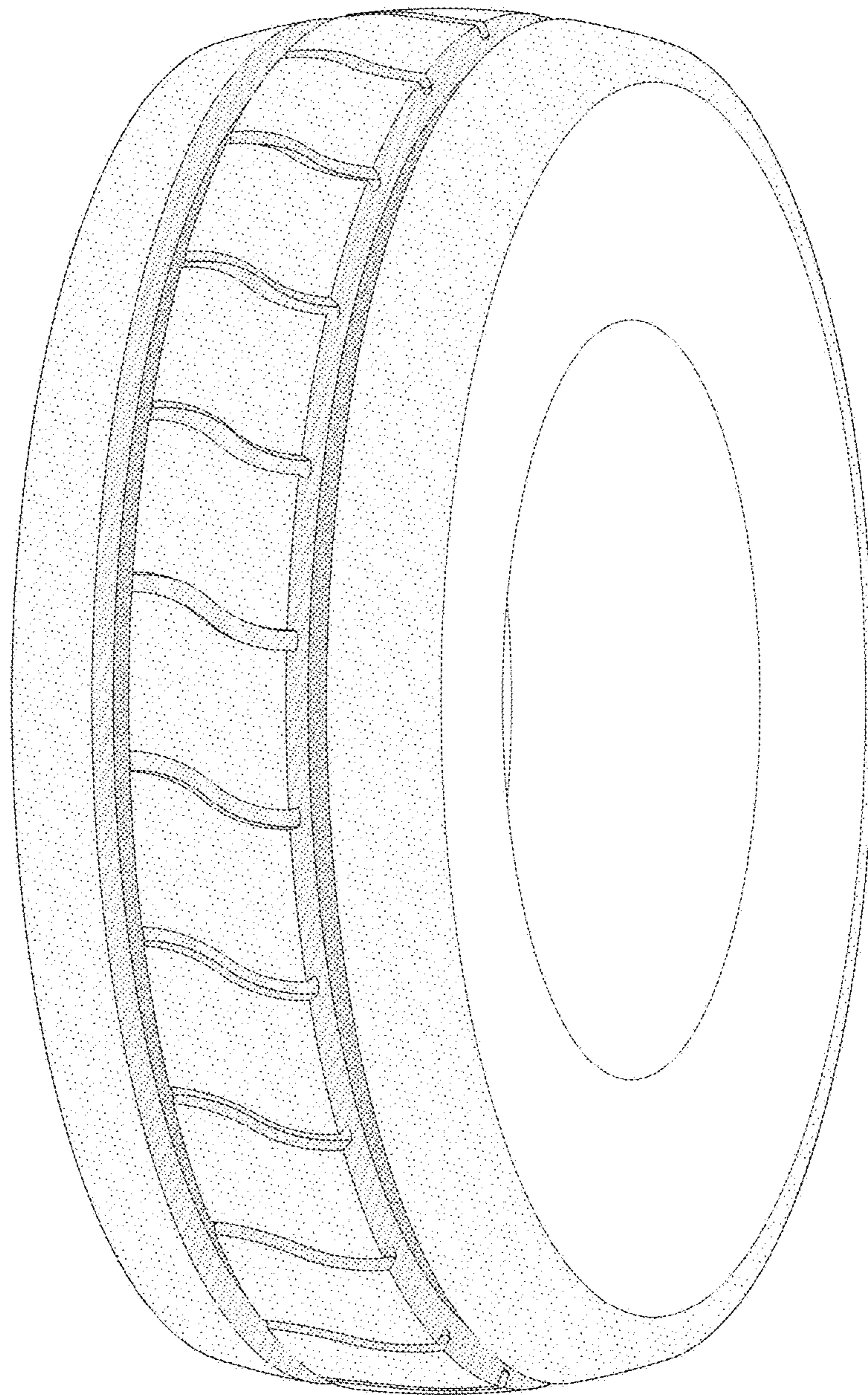


FIG - 5

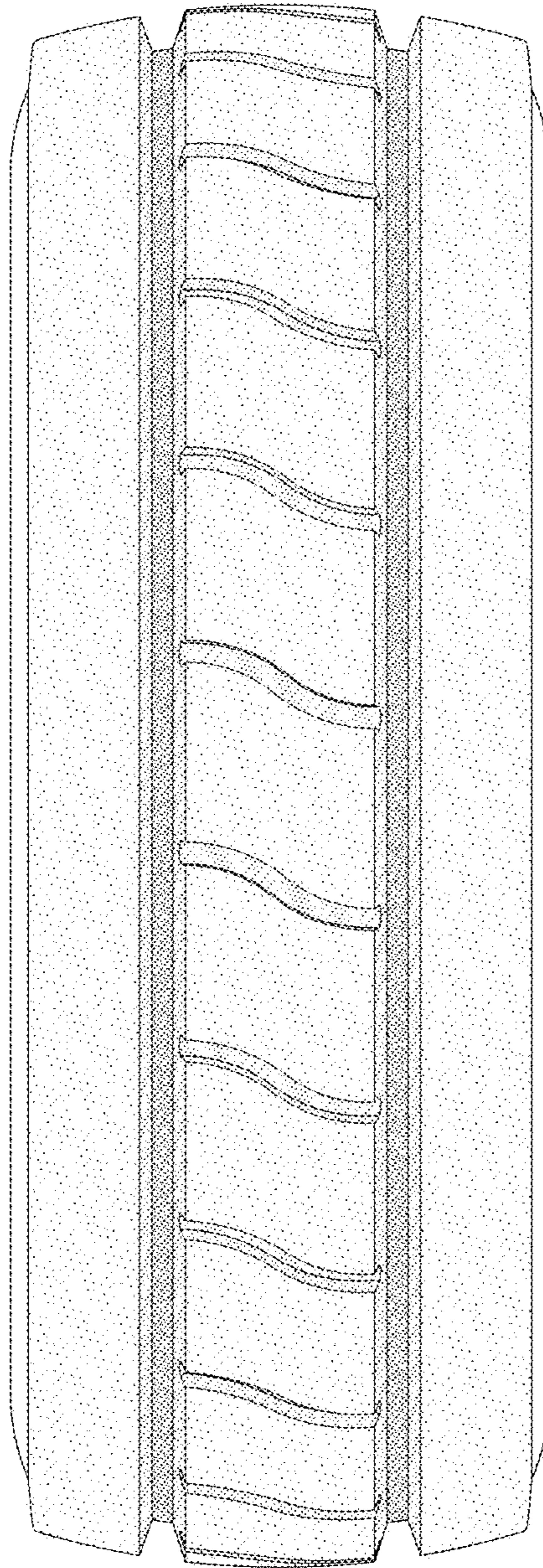


FIG - 6