



US00D900723S

(12) **United States Design Patent**  
**Digman et al.**

(10) **Patent No.:** **US D900,723 S**

(45) **Date of Patent:** **\*\* Nov. 3, 2020**

(54) **TIRE**

(71) Applicant: **The Goodyear Tire & Rubber Company, Akron, OH (US)**

(72) Inventors: **Brian David Digman, Sagamore Hills, OH (US); Jonathan Robert Luke, North Canton, OH (US); Brett Alan Bogner, Clinton, OH (US); Cameron Stuart Nixon, South Lyon, MI (US); Lac An Nguyen, Wadsworth, OH (US); Timothy Scott Miller, Canton, OH (US); Nick Brandon Clark, Akron, OH (US)**

(73) Assignee: **The Goodyear Tire & Rubber Company, Akron, OH (US)**

(\*\*) Term: **15 Years**

(21) Appl. No.: **29/692,167**

(22) Filed: **May 23, 2019**

(51) **LOC (12) Cl.** ..... **12-15**

(52) **U.S. Cl.**  
USPC ..... **D12/588**

(58) **Field of Classification Search**  
USPC ..... D12/502, 581, 586, 587, 588, 589, 590,  
D12/594, 595, 600, 601  
CPC ..... B60C 11/032; B60C 11/0388  
See application file for complete search history.

(56) **References Cited**

**U.S. PATENT DOCUMENTS**

D392,922 S	3/1998	Heinen	.....	D12/147
D422,246 S	4/2000	Fierro et al.	.....	D12/146
D449,024 S	10/2001	Lovell et al.	.....	D12/147
D458,897 S	6/2002	Weber et al.	.....	D12/588
D528,972 S *	9/2006	Saito	.....	D12/595
D560,600 S	1/2008	Dixon et al.	.....	D12/588

D586,733 S	2/2009	Shinohara	.....	D12/588
D593,936 S	6/2009	Maxwell	.....	D12/587
D595,220 S	6/2009	Maxwell	.....	D12/590
D609,171 S	2/2010	Yonetsu	.....	D12/590
D619,958 S	7/2010	Maxwell	.....	D12/586
D712,343 S	9/2014	Wakishima	.....	D12/588
D728,464 S *	5/2015	Kudo	.....	D12/589
D736,697 S	8/2015	Leocadio et al.	.....	D12/601

(Continued)

*Primary Examiner* — Robert M. Spear

(74) *Attorney, Agent, or Firm* — Robert N. Lipsik

(57) **CLAIM**

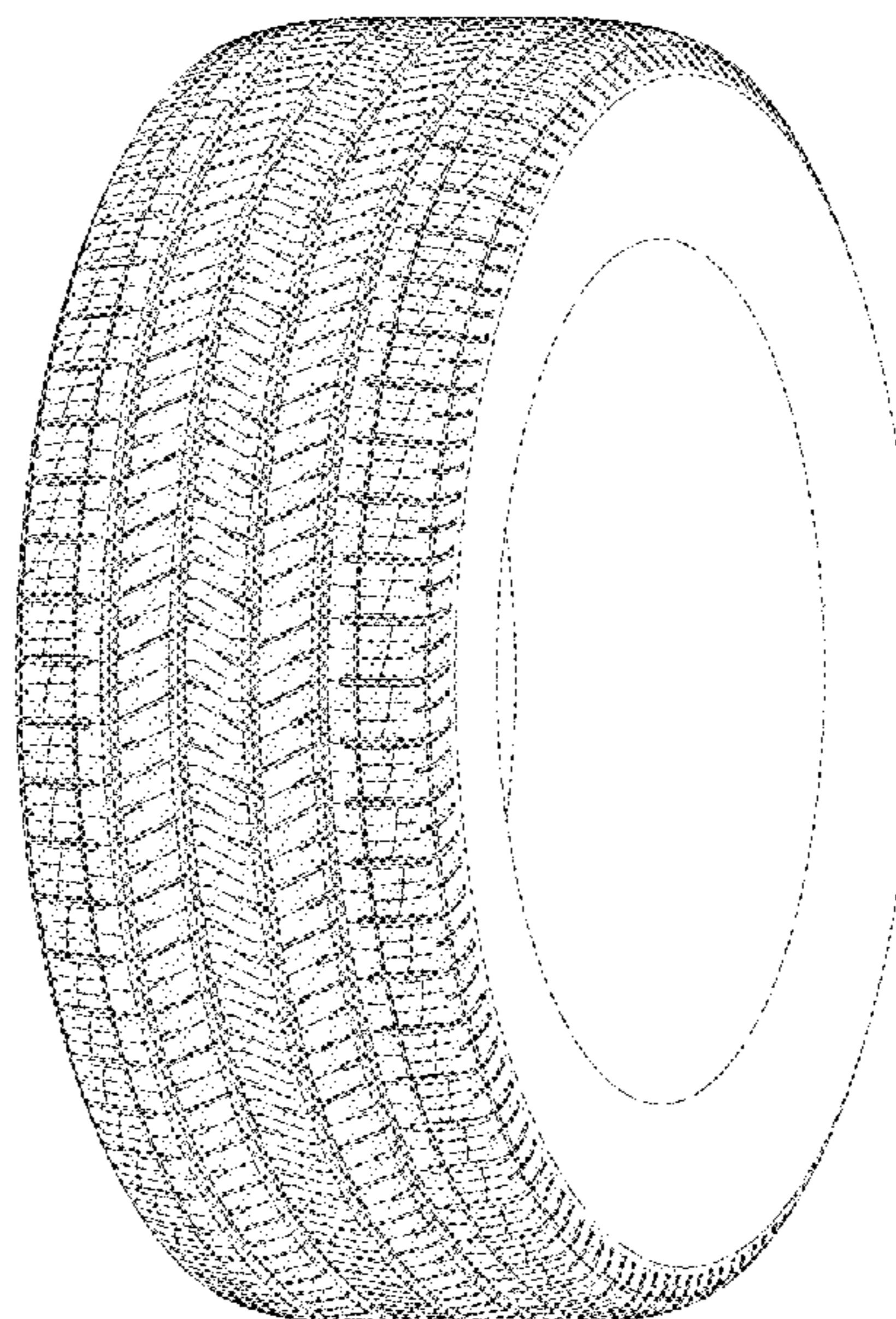
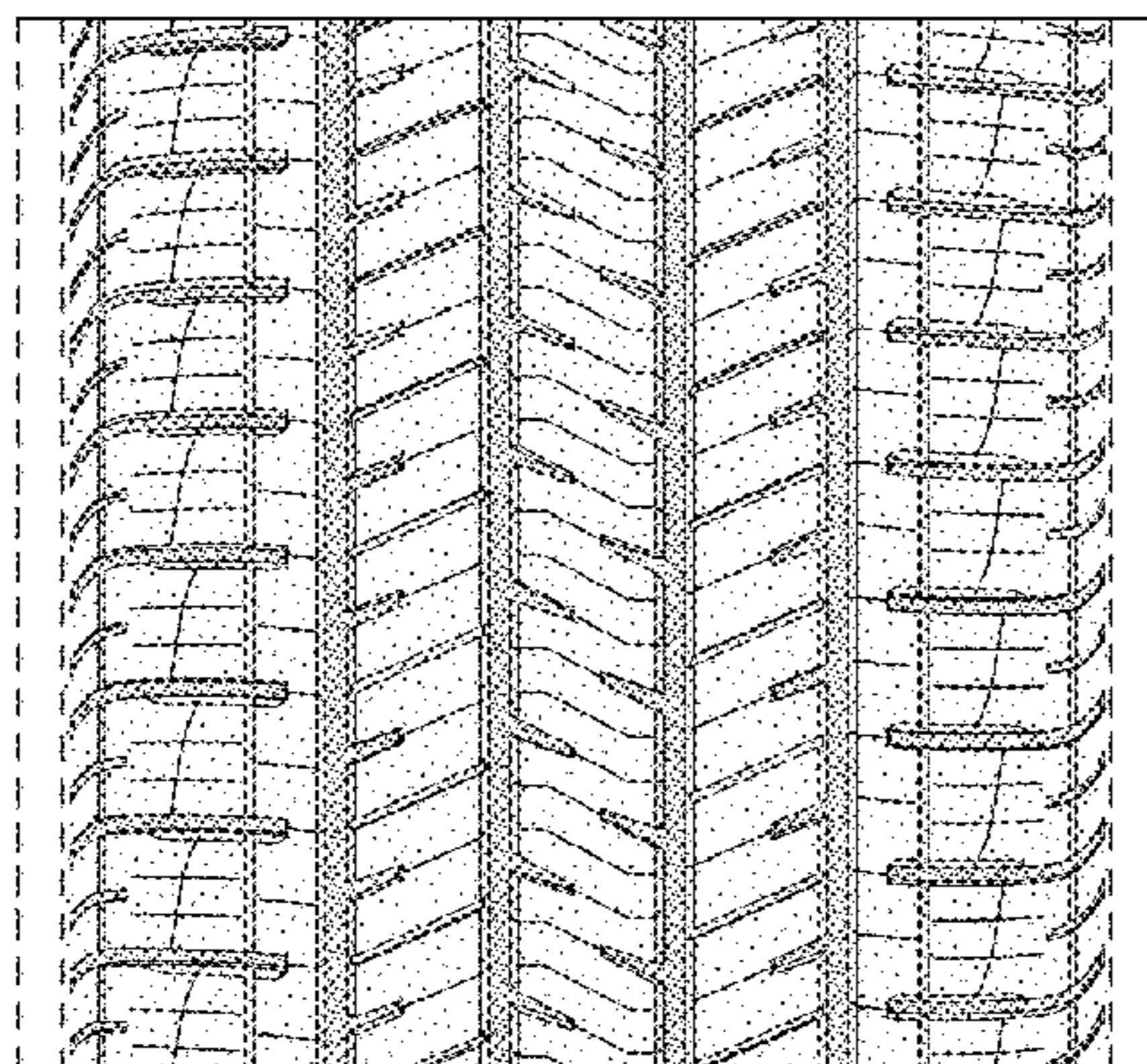
The ornamental Design for a tire, as shown and described.

**DESCRIPTION**

FIG. 1 is a perspective view of a tire showing our new design, it being understood that the pattern repeats uniformly throughout the circumference of the tread;  
 FIG. 2 is a front elevational view thereof;  
 FIG. 3 is a right side elevational view thereof; the left side elevational view being identical thereto;  
 FIG. 4 is an enlarged fragmentary front elevational view thereof;  
 FIG. 5 is a perspective view of a second embodiment of a tire showing our new design, it being understood that the interior of the tire forms no part of the claim, that the pattern repeats uniformly throughout the circumference of the tread and that the opposite side view is identical thereto; and,  
 FIG. 6 is a front elevational view of a second embodiment, it being understood that an enlarged fragmentary view thereof would be substantially identical to that shown in FIG. 4, with the exception of the inclusion of the sidewall in the claim.

In the drawings, the broken lines immediately adjacent to the outer edges of the tire shoulder represent boundaries of the claim, and the broken lines depict environmental subject matter only and form no part of the claimed design.

**1 Claim, 6 Drawing Sheets**



(56)

**References Cited**

U.S. PATENT DOCUMENTS

D756,295 S	5/2016	Pingenat et al. ....	D12/588
D757,642 S	5/2016	Kwak .....	D12/601
D758,957 S	6/2016	Kuriyama .....	D12/588
D765,585 S	9/2016	Fujii .....	D12/601
D770,367 S	11/2016	Schimmoeller, Jr. ....	D12/588
D787,432 S	5/2017	Hoshiba .....	D12/588
D792,839 S	7/2017	Maxwell et al. ....	D12/595
D803,768 S	11/2017	Leocadio et al. ....	D12/588
D812,550 S	3/2018	Digman et al. ....	D12/588
D813,148 S *	3/2018	Umstot .....	D12/588
D813,149 S	3/2018	Dixon et al. ....	D12/588
D817,858 S	5/2018	Poling et al. ....	D12/590
D842,229 S	3/2019	Schoeppner et al. ....	D12/588
D876,330 S *	2/2020	Poling .....	D12/601
D892,034 S *	8/2020	Wang .....	D12/595

\* cited by examiner

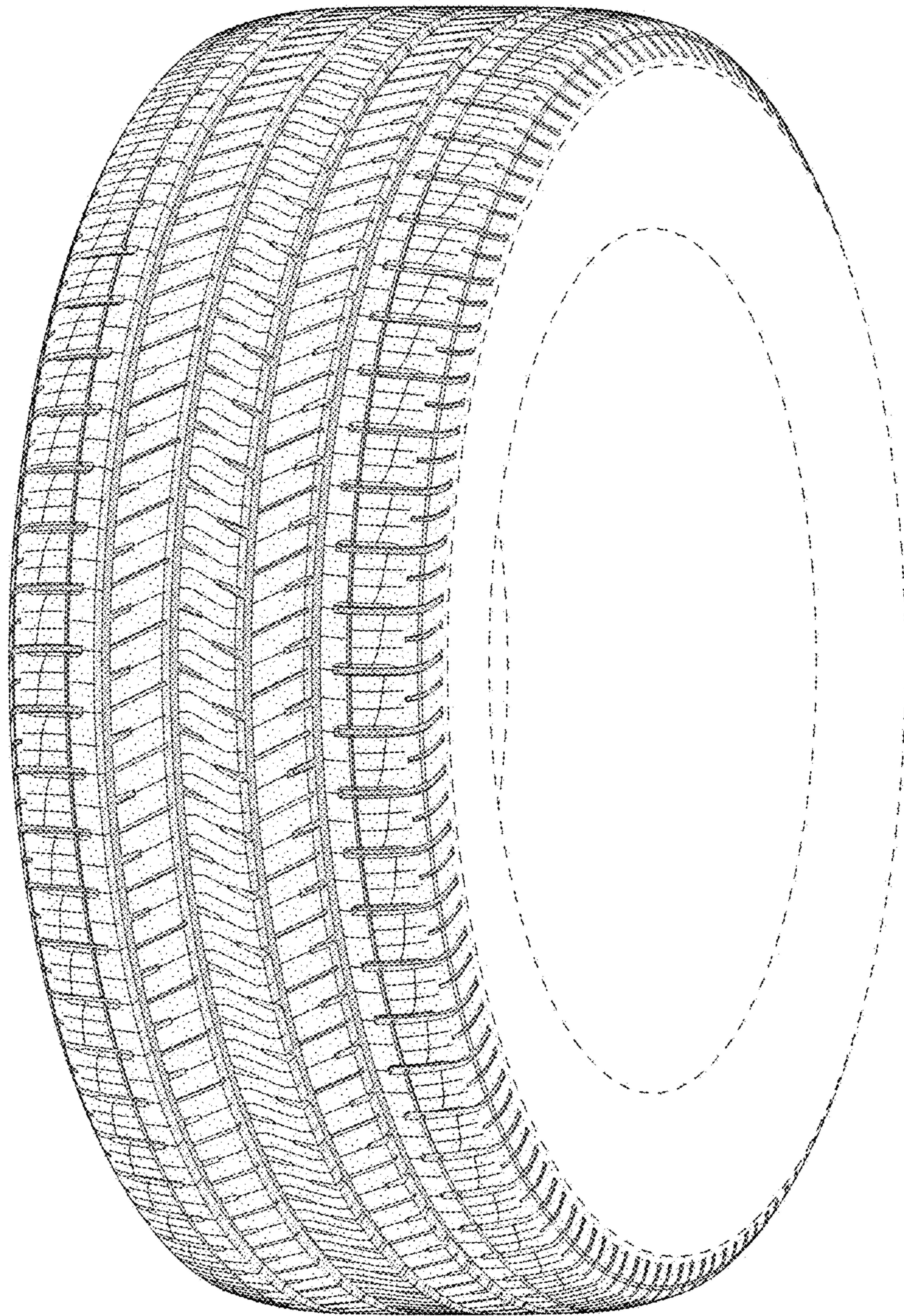


FIG - 1

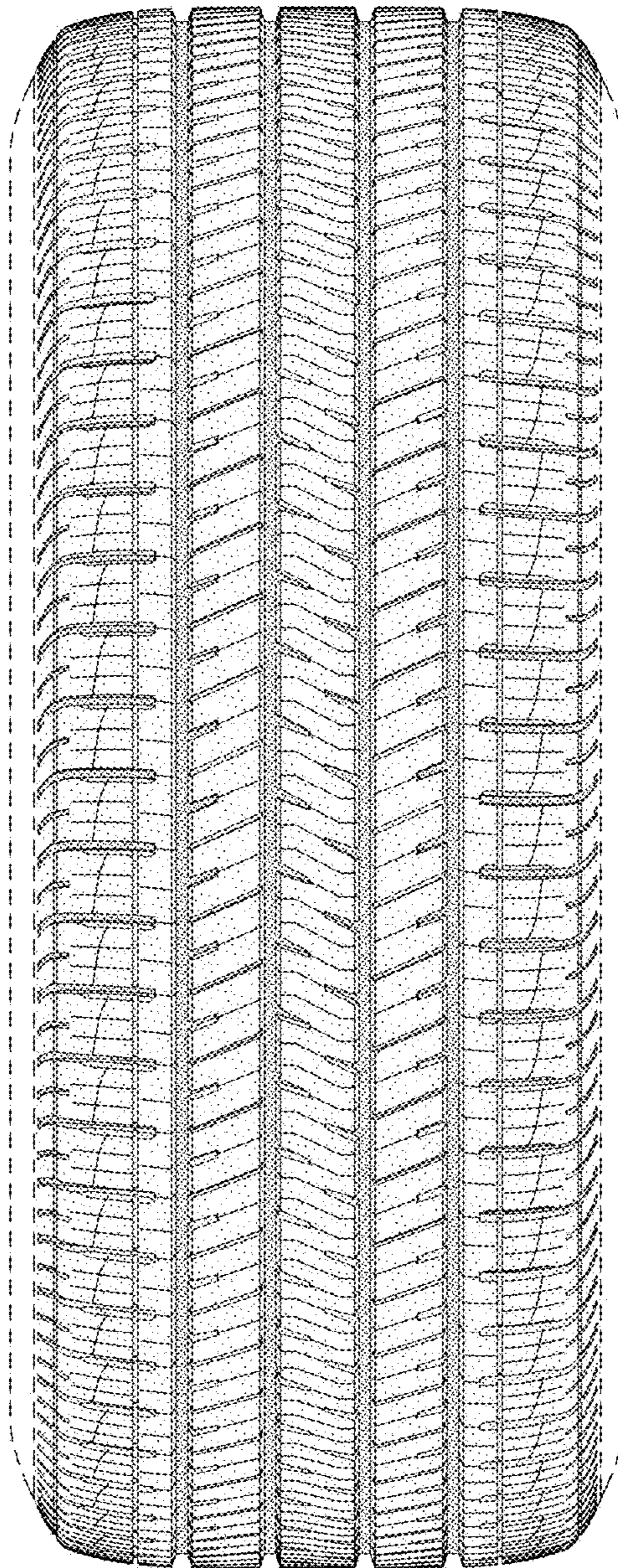


FIG - 2

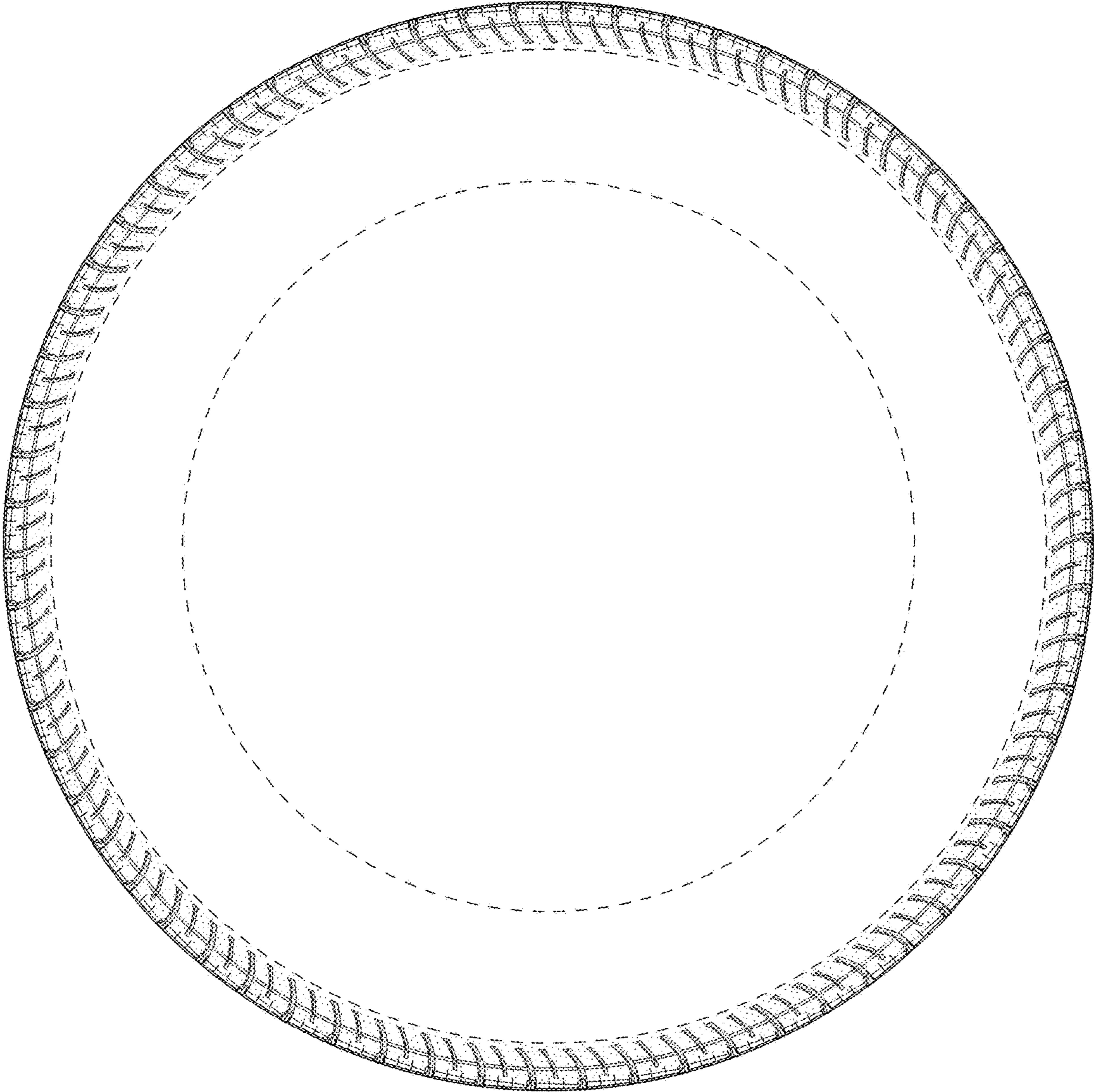


FIG - 3

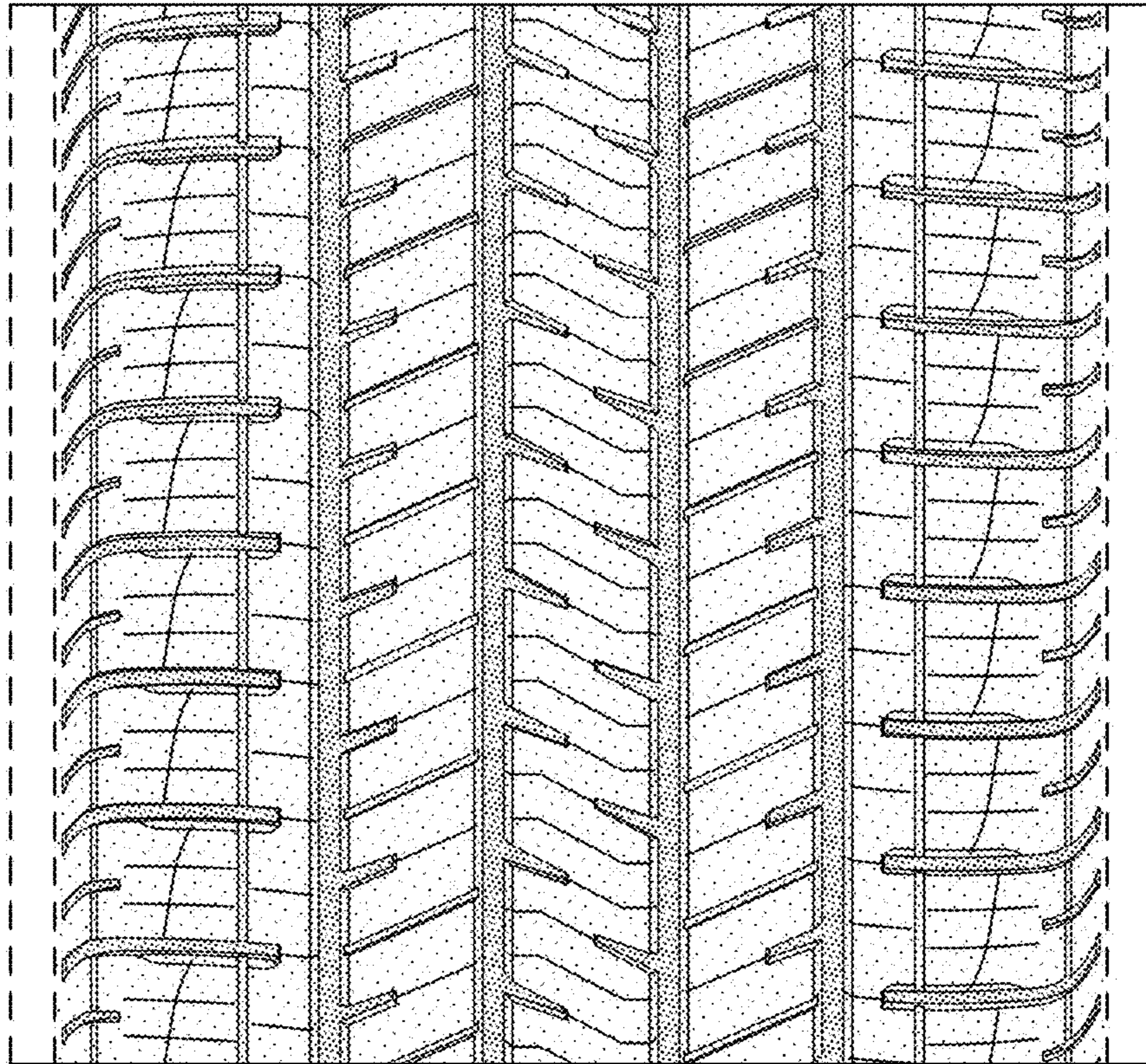


FIG - 4

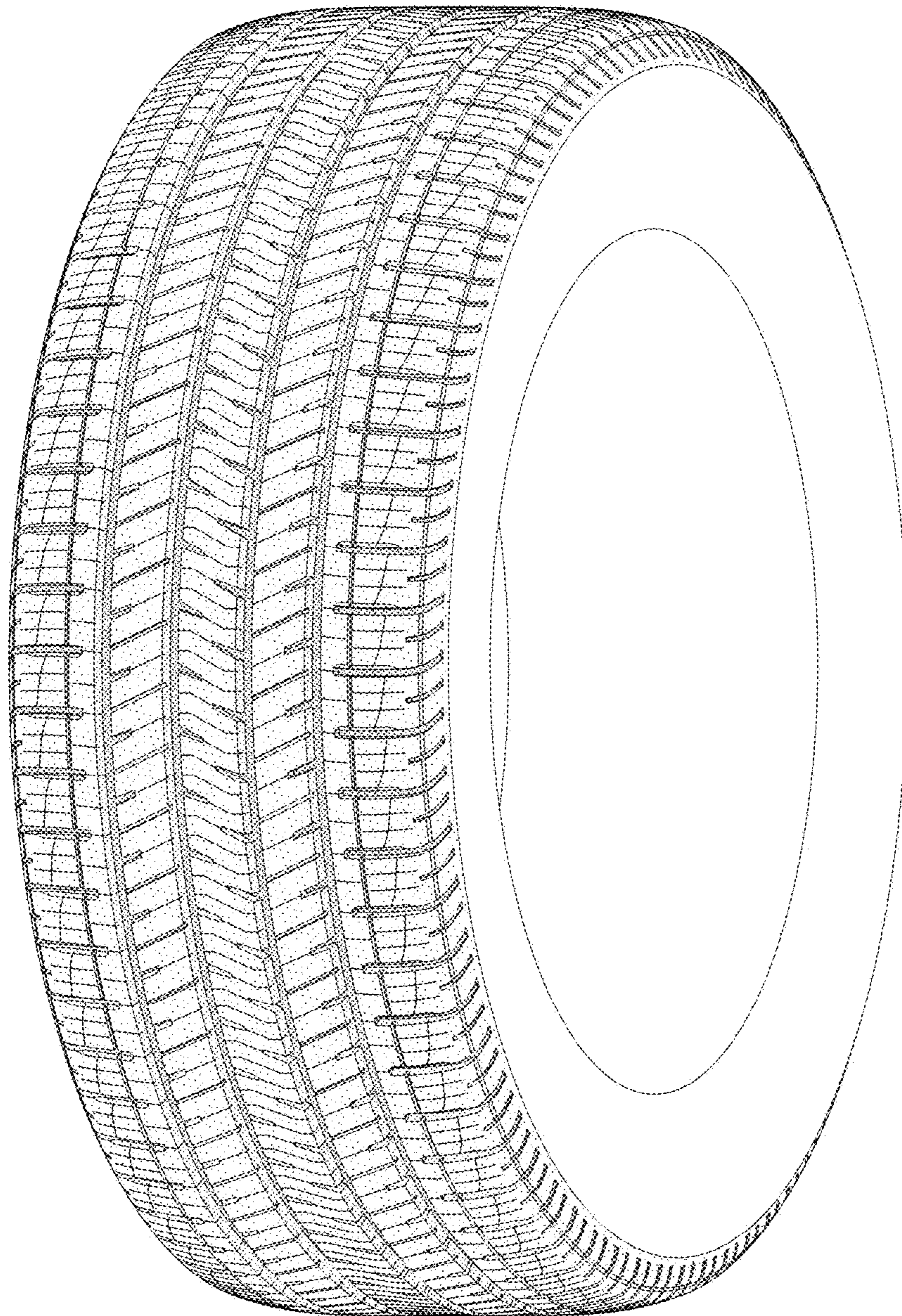


FIG - 5

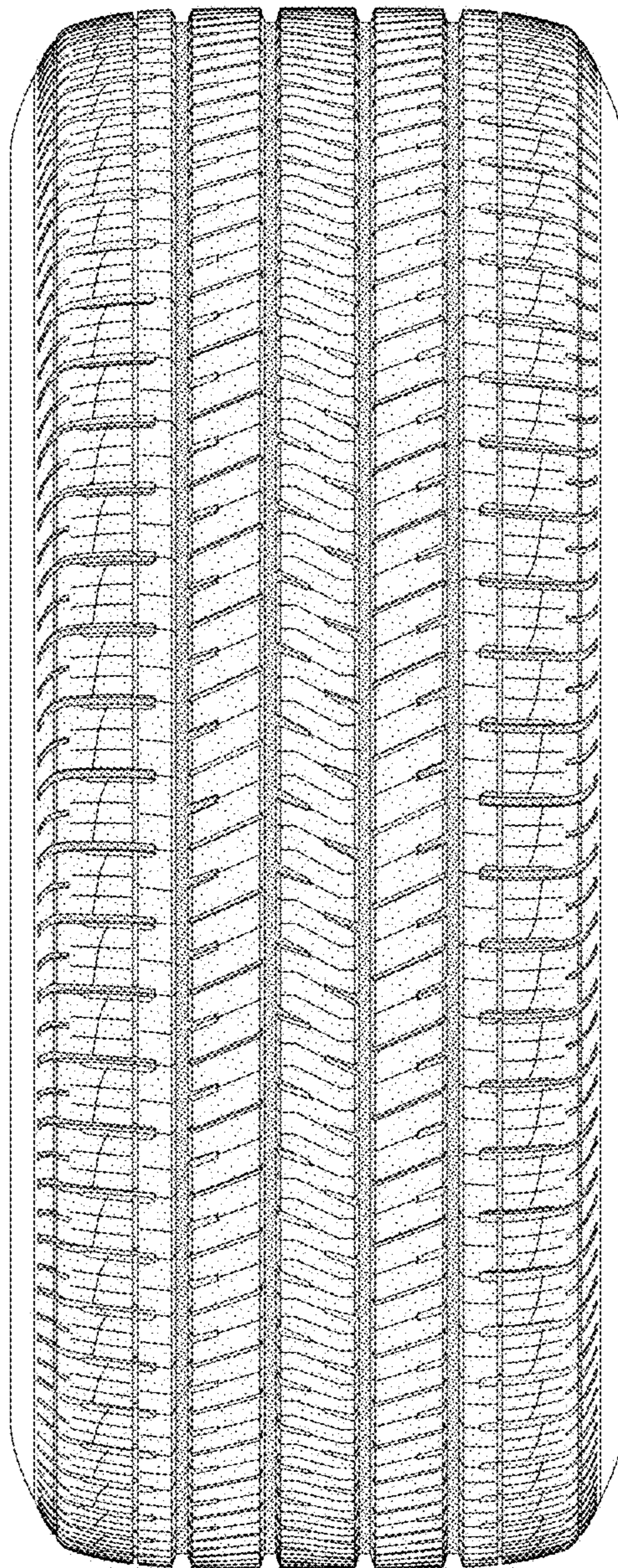


FIG - 6