



US00D900709S

(12) **United States Design Patent** (10) **Patent No.:** **US D900,709 S**  
**Trine et al.** (45) **Date of Patent:** **\*\* Nov. 3, 2020**

(54) **TIRE**

(71) Applicant: **The Goodyear Tire & Rubber Company, Akron, OH (US)**

(72) Inventors: **Pierre Joseph Trine, Spa (BE); Ananth Bhagavathapuram Srisailapathy, Ettelbruck (LU); Sebastien Seibert, Thionville (FR); Wolfgang Albert Leo Loesslein, Schleich (DE)**

(73) Assignee: **The Goodyear Tire & Rubber Company, Akron, OH (US)**

(\*\*) Term: **15 Years**

(21) Appl. No.: **29/707,138**

(22) Filed: **Sep. 26, 2019**

(51) **LOC (12) Cl.** ..... **12-15**

(52) **U.S. Cl.**  
USPC ..... **D12/517; D12/521**

(58) **Field of Classification Search**  
USPC ..... D12/512, 514, 515, 517, 518, 519, 521, D12/523, 524, 527, 528, 531, 532, 900  
CPC ..... B60C 3/06; B60C 9/17; B60C 11/0304  
See application file for complete search history.

(56) **References Cited**

**U.S. PATENT DOCUMENTS**

D423,422 S	4/2000	Selover et al.	.....	D12/146
D451,440 S	12/2001	Weber	.....	D12/146
D451,441 S	12/2001	Weber	.....	D12/146
D453,729 S	2/2002	Demagall et al.	.....	D12/523
D558,126 S	12/2007	Shavers et al.	.....	D12/519
D558,127 S	12/2007	Shavers et al.	.....	D12/519
D559,767 S	1/2008	Graas et al.	.....	D12/521

(Continued)

**OTHER PUBLICATIONS**

U.S. Appl. No. 29/673,784, filed Dec. 18, 2018, Philipot, et al., Goodyear.

(Continued)

*Primary Examiner* — Robert M. Spear

(74) *Attorney, Agent, or Firm* — Robert N. Lipsik

(57) **CLAIM**

The ornamental Design for a tire, as shown and described.

**DESCRIPTION**

FIG. 1 is a right side perspective view of a tire showing our new design, it being understood that the pattern repeats uniformly throughout the circumference of the tread;

FIG. 2 is a left side perspective view thereof;

FIG. 3 is a front elevational view thereof;

FIG. 4 is a right side elevational view thereof;

FIG. 5 is a left side elevational view thereof;

FIG. 6 is an enlarged fragmentary front elevational view thereof;

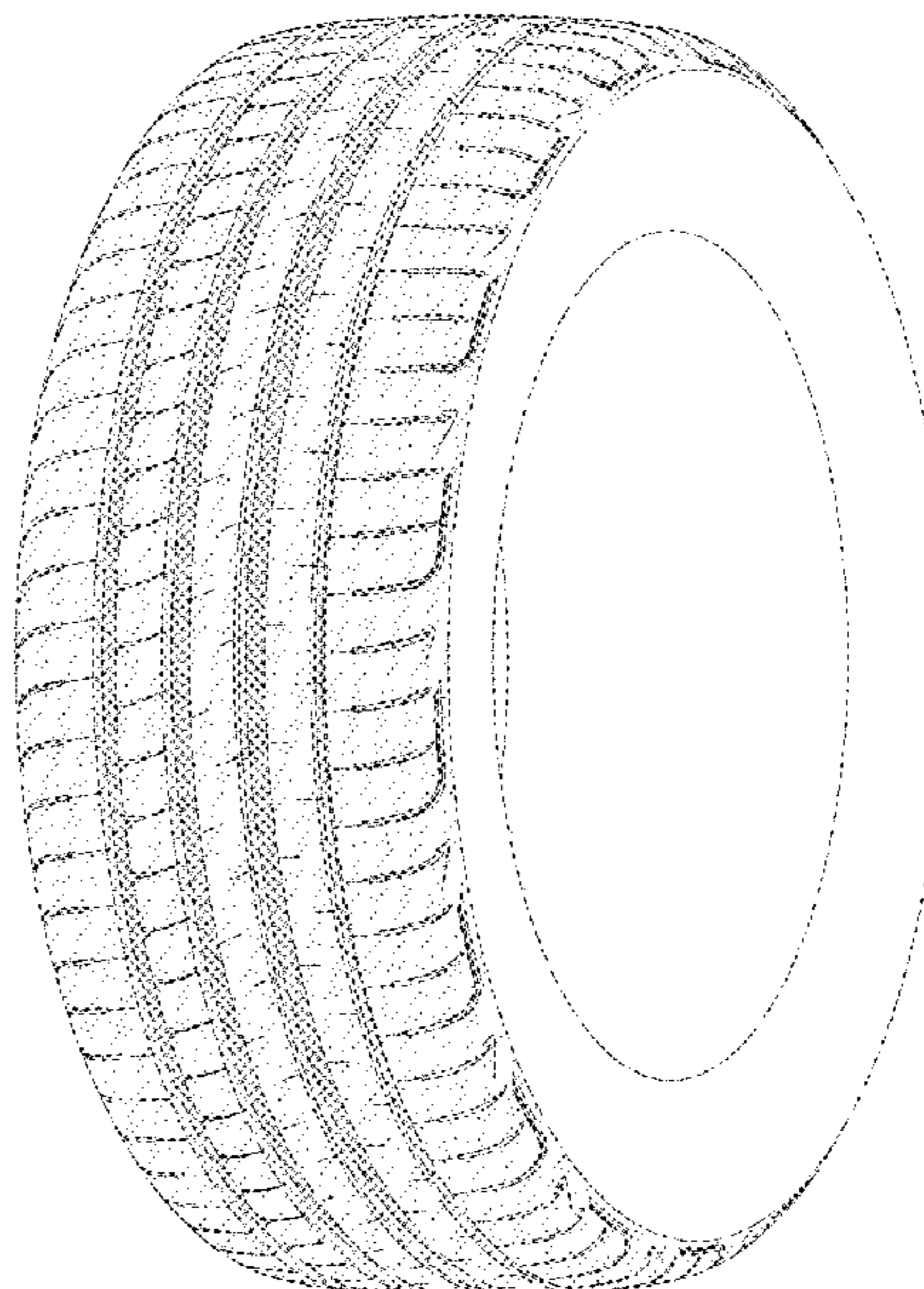
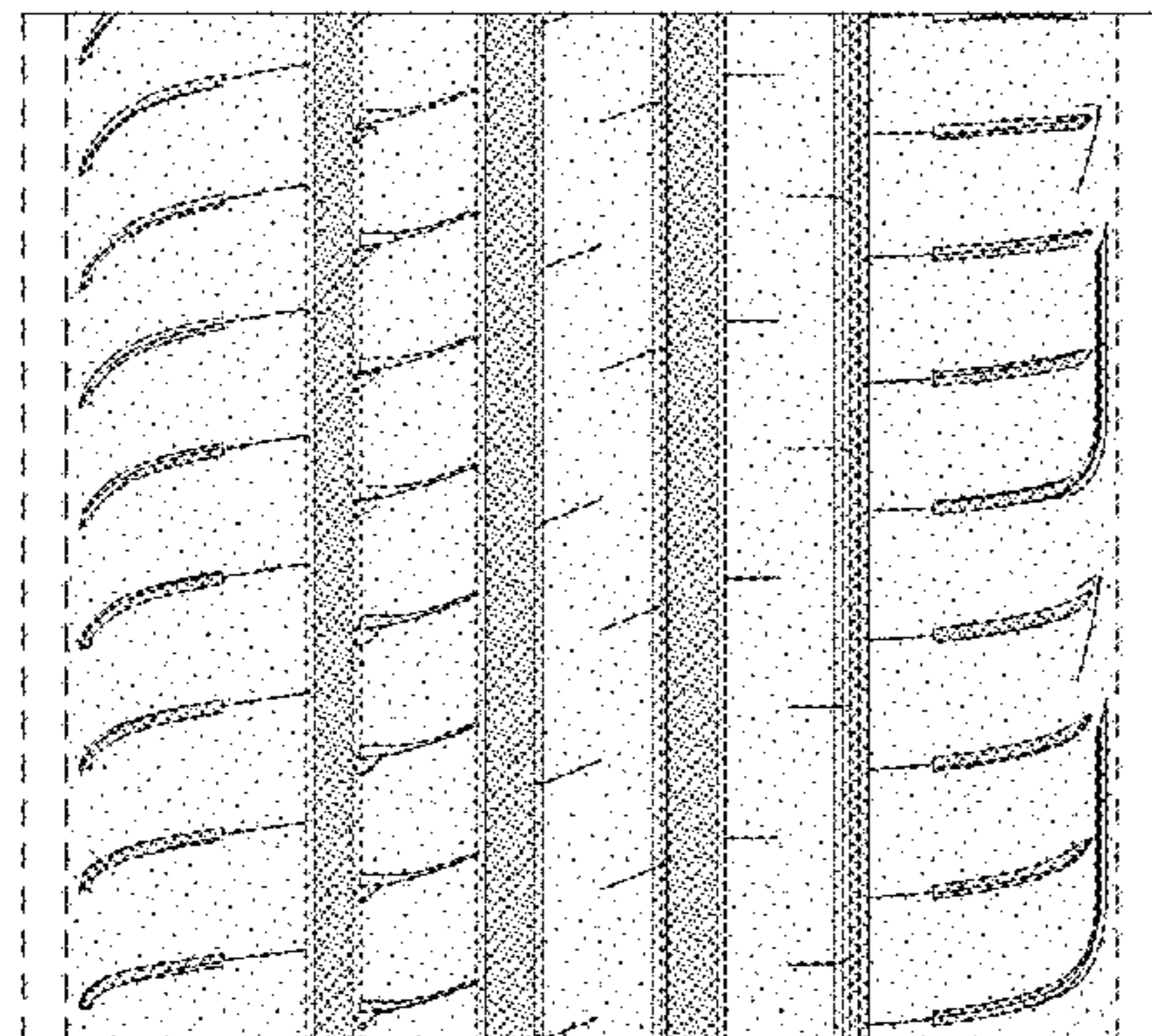
FIG. 7 is a right side perspective view of a second embodiment of a tire showing our new design, it being understood that the interior of the tire forms no part of the claim and that the pattern repeats uniformly throughout the circumference of the tread;

FIG. 8 is a left side perspective view of a second embodiment, it being understood that the interior of the tire forms no part of the claim; and,

FIG. 9 is a front elevational view of a second embodiment, it being understood that an enlarged fragmentary view thereof would be substantially identical to that shown in FIG. 6, with the exception of the inclusion of the sidewall in solid lines.

In the drawings, the broken lines immediately adjacent to the outer edges of the tire shoulder represent boundaries of the claim, and the broken lines depict environmental subject matter only and form no part of the claimed design.

**1 Claim, 9 Drawing Sheets**



(56)

**References Cited**

U.S. PATENT DOCUMENTS

D584,213 S \* 1/2009 Shinkai ..... D12/519  
 D599,276 S 9/2009 Fontaine et al. .... D12/519  
 D601,939 S 10/2009 Fontaine et al. .... D12/519  
 D609,161 S 2/2010 Fontaine et al. .... D12/517  
 D619,080 S 7/2010 Woidtke et al. .... D12/519  
 D626,910 S 11/2010 Bott et al. .... D12/519  
 D634,699 S 3/2011 Fontaine et al. .... D12/517  
 D644,593 S 9/2011 Fontaine et al. .... D12/523  
 D647,455 S \* 10/2011 Frappart ..... D12/518  
 D648,668 S \* 11/2011 Kujime ..... D12/519  
 D659,633 S 5/2012 Bindner et al. .... D12/521  
 D665,336 S 8/2012 Skurich et al. .... D12/523  
 D667,358 S 9/2012 Fontaine et al. .... D12/518  
 D708,116 S 7/2014 Caron et al. .... D12/523  
 D713,778 S 9/2014 Muthigi et al. .... D12/521  
 D728,453 S 5/2015 Maxwell et al. .... D12/523  
 D729,147 S \* 5/2015 Perrier ..... D12/518

D730,269 S 5/2015 Maxwell et al. .... D12/523  
 D743,873 S \* 11/2015 Majerus ..... D12/523  
 D758,954 S \* 6/2016 Albouy ..... D12/518  
 D761,716 S \* 7/2016 Albouy ..... D12/519  
 D772,785 S 11/2016 Kaneko et al. .... D12/519  
 D787,425 S 5/2017 Kossi et al. .... D12/523  
 D791,064 S 7/2017 Bokken et al. .... D12/517  
 D794,539 S 8/2017 Bindner et al. .... D12/523  
 D795,149 S 8/2017 Digman et al. .... D12/209  
 D795,163 S 8/2017 Digman et al. .... D12/519  
 D795,164 S 8/2017 Philipot et al. .... D12/521  
 D804,396 S 12/2017 Philipot et al. .... D12/523  
 D823,232 S 7/2018 Bode et al. .... D12/515  
 D833,371 S \* 11/2018 Takahashi ..... D12/517

OTHER PUBLICATIONS

U.S. Appl. No. 29/700,276, filed Aug. 1, 2019, Moia, et al.,  
 Goodyear.

\* cited by examiner

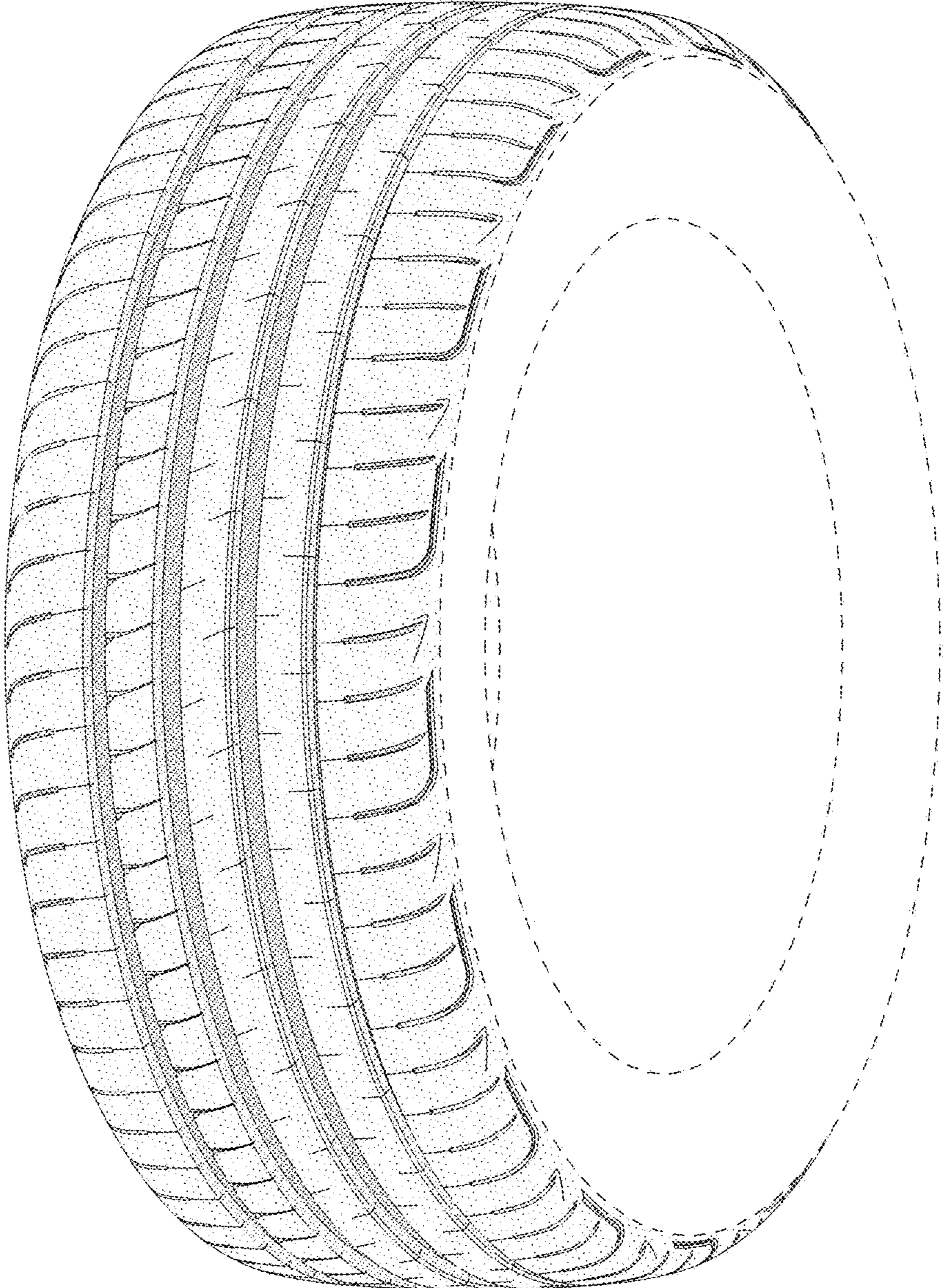


FIG - 1

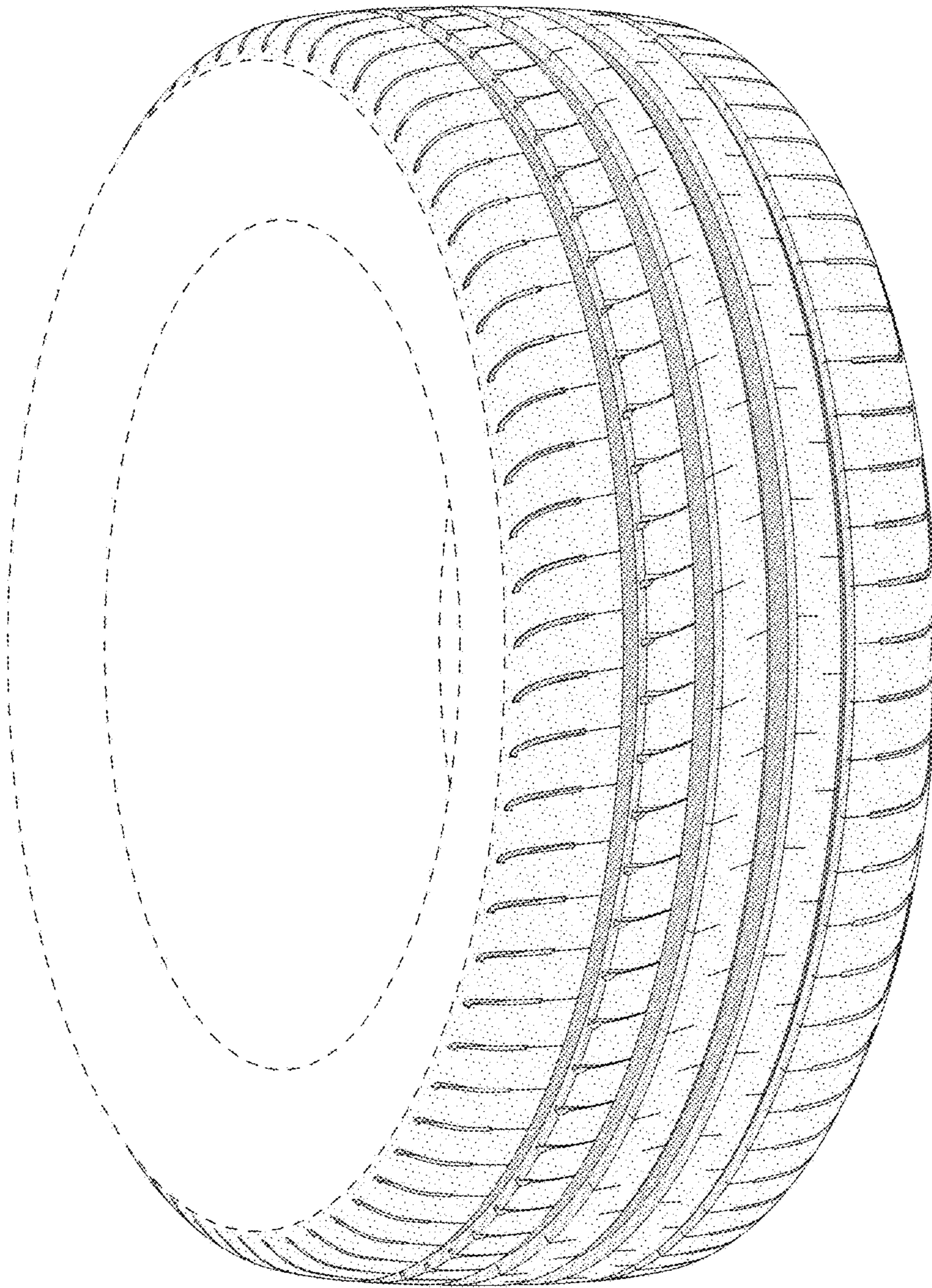


FIG - 2

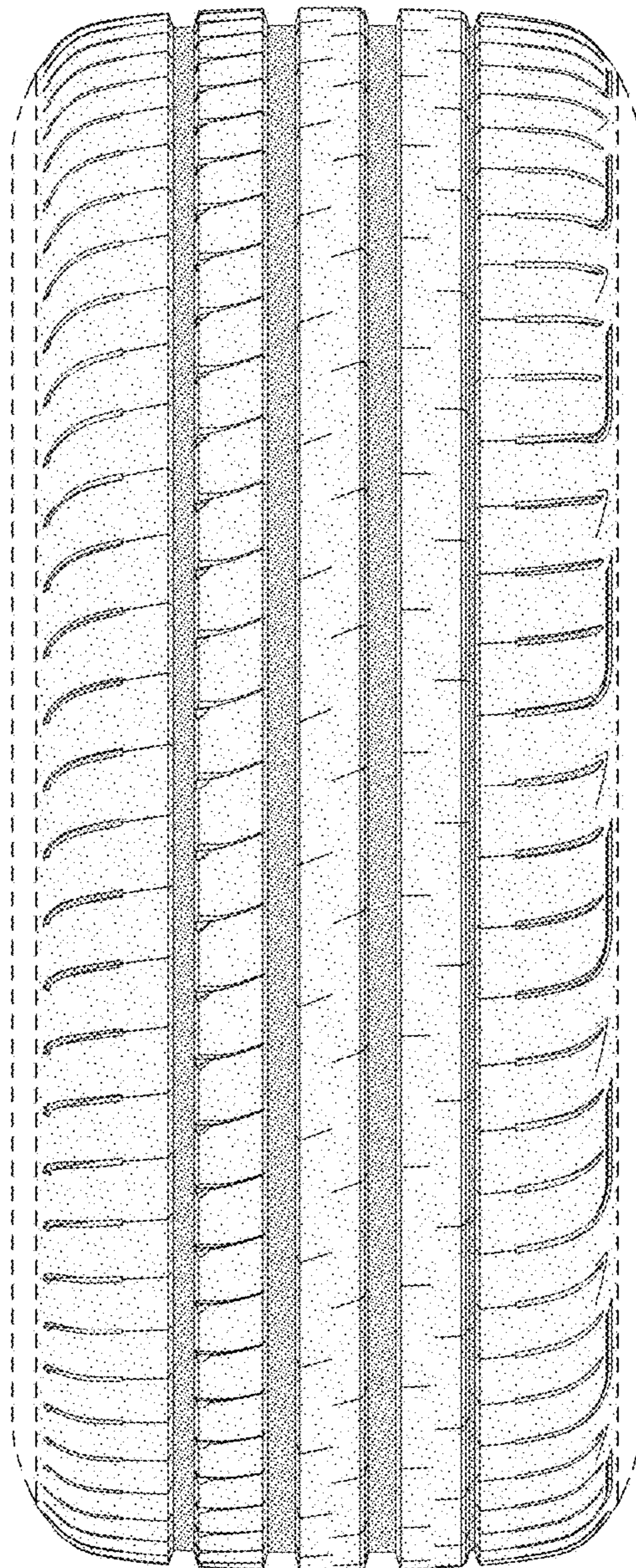


FIG - 3

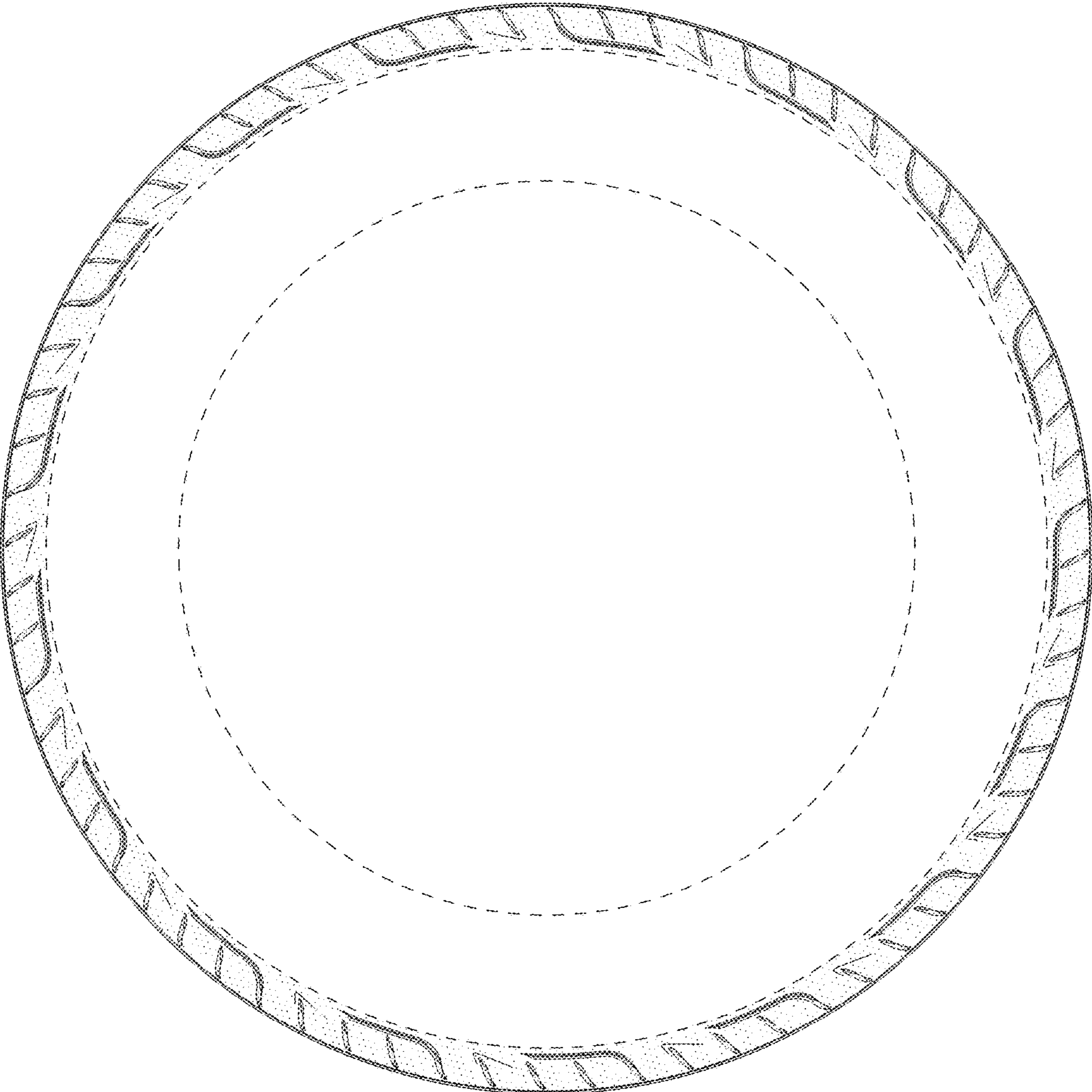


FIG - 4

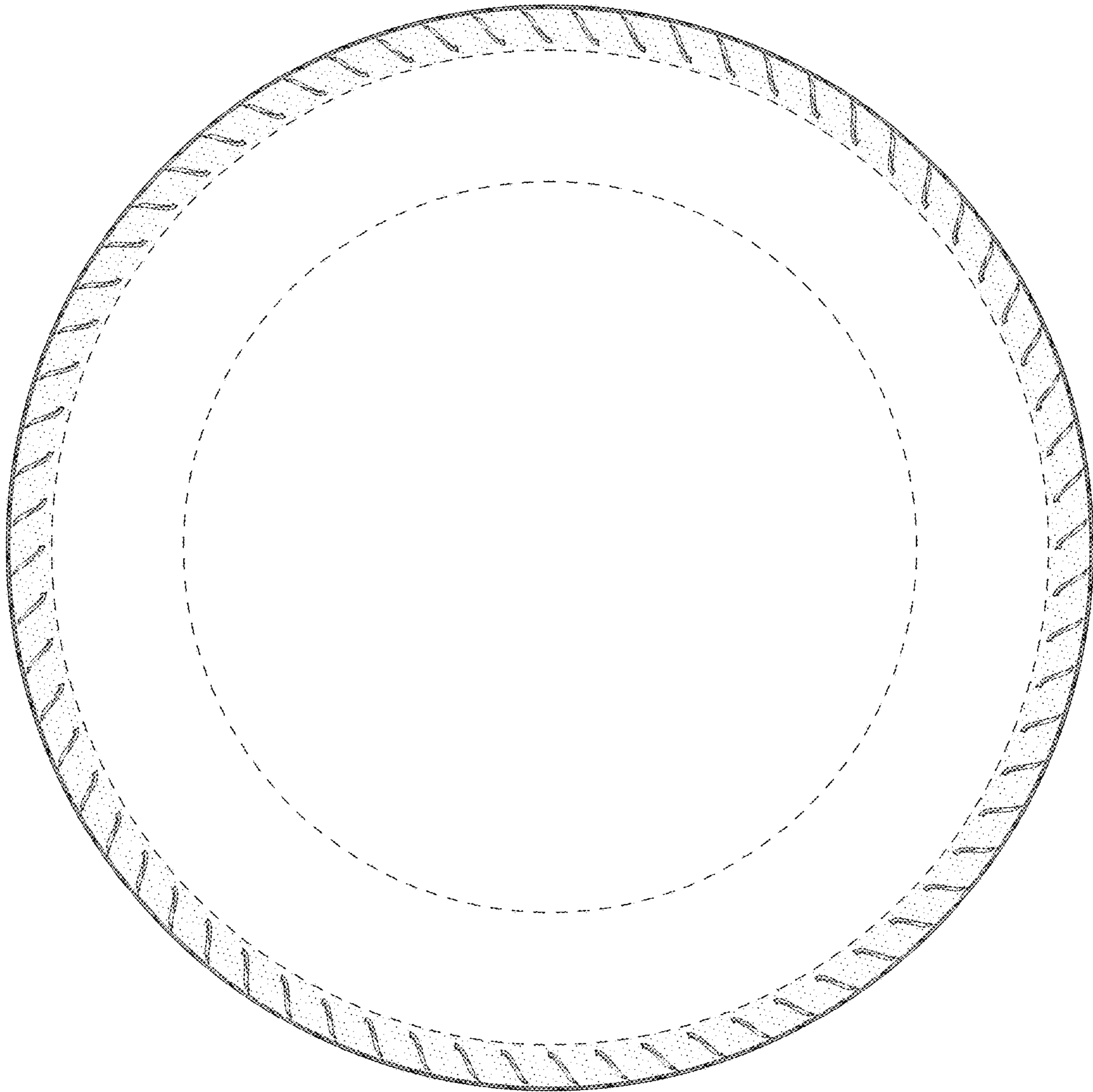


FIG - 5

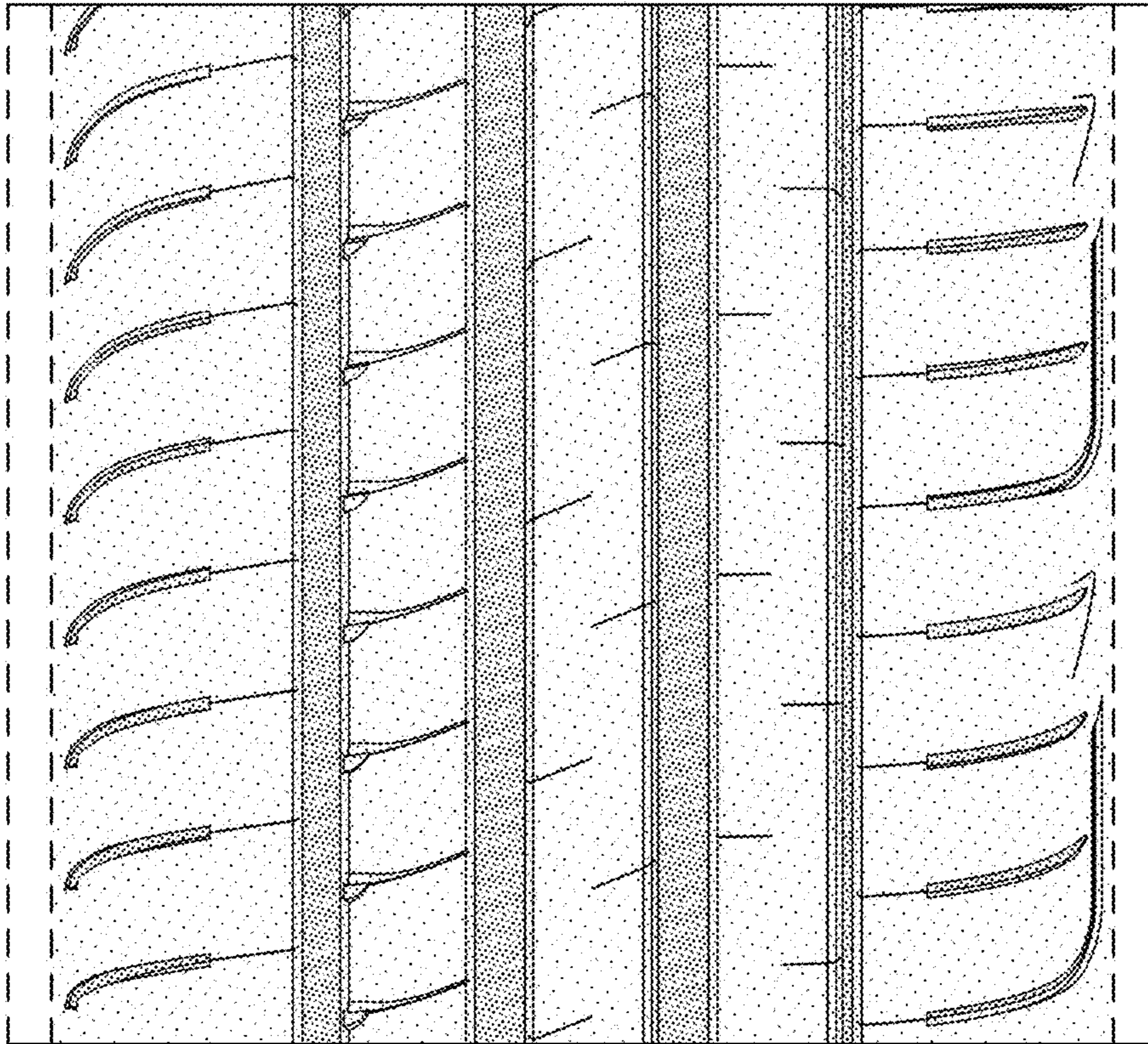


FIG - 6



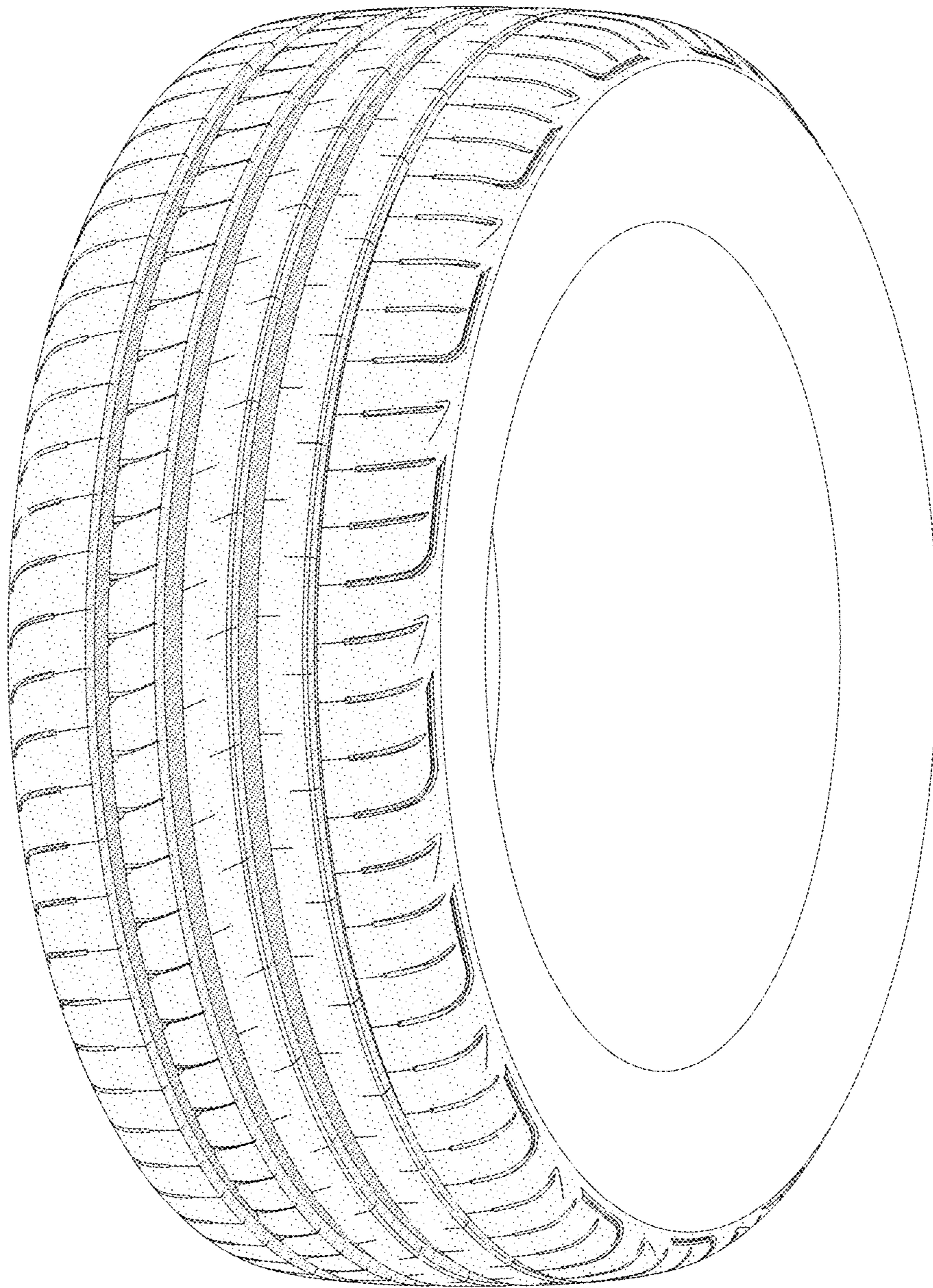


FIG - 7

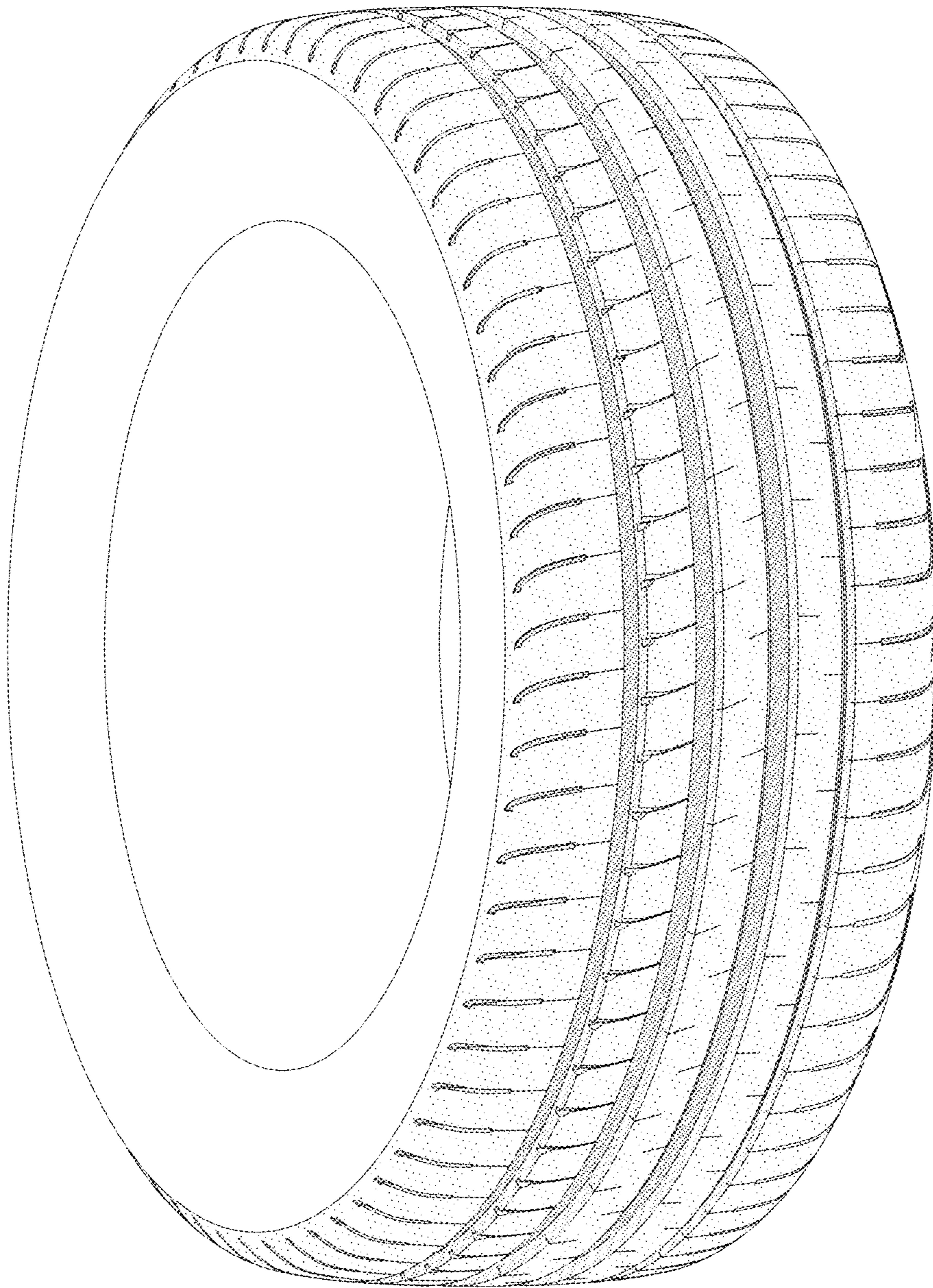


FIG - 8

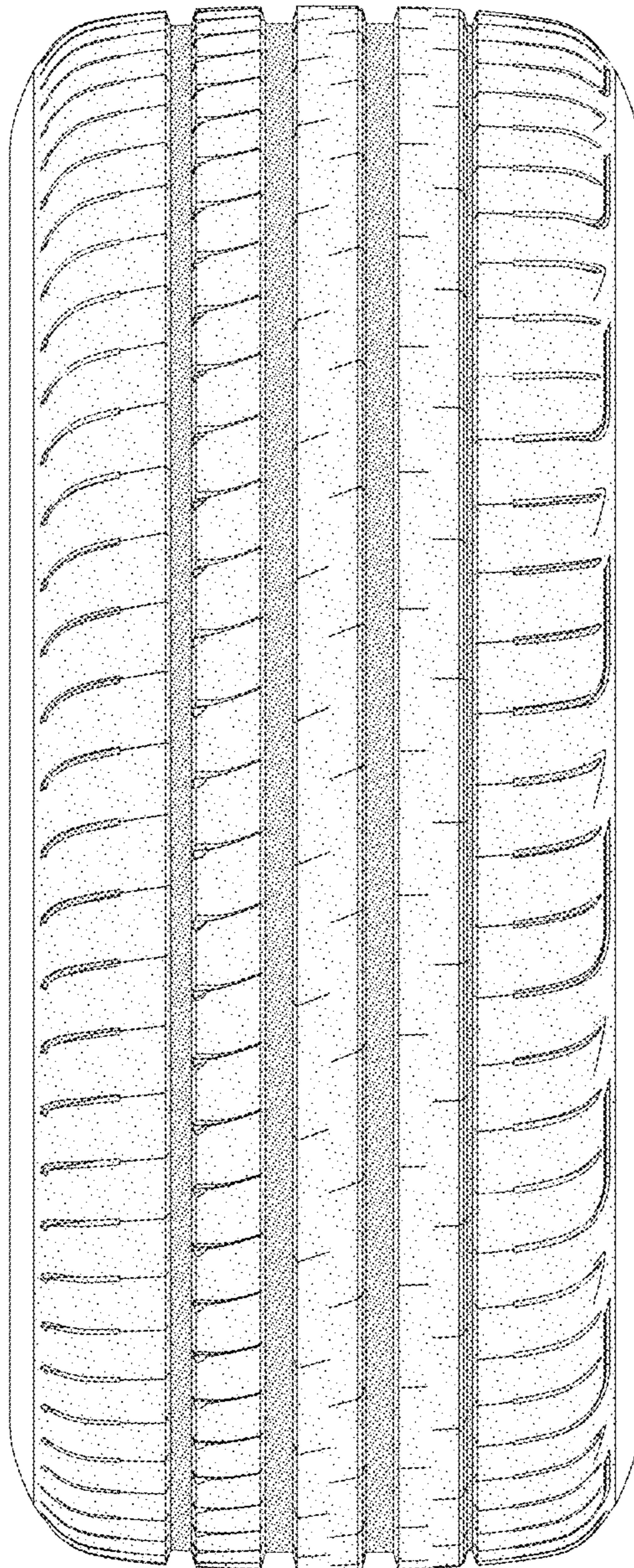


FIG - 9