



US00D900703S

(12) **United States Design Patent**
Builder et al.

(10) **Patent No.: US D900,703 S**

(45) **Date of Patent: ** *Nov. 3, 2020**

(54) **FLOATING PLATFORM**

(71) Applicant: **Nautibuoy Marine Limited**, Devon (GB)

(72) Inventors: **Clay Livingston Builder**, Dartington (GB); **Nina Anderson**, Dartington (GB)

(73) Assignee: **Nautibuoy Marine Limited**, Devon (GB)

(*) Notice: This patent is subject to a terminal disclaimer.

(**) Term: **15 Years**

(21) Appl. No.: **29/662,389**

(22) Filed: **Sep. 5, 2018**

(30) **Foreign Application Priority Data**

Mar. 5, 2018 (EM) 004740025-0012

(51) **LOC (12) Cl.** **12-06**

(52) **U.S. Cl.**
USPC **D12/316**

(58) **Field of Classification Search**
USPC D12/316, 317; D21/801, 803
CPC B63C 1/02; B63C 1/04; B63B 2737/00
See application file for complete search history.

(56) **References Cited**

U.S. PATENT DOCUMENTS

- 3,675,377 A * 7/1972 Suter B63B 7/08
52/2.16
- 3,789,446 A * 2/1974 Rudelick B63B 5/24
441/39
- 5,390,620 A * 2/1995 Murphy B63B 35/38
114/263
- 6,102,759 A * 8/2000 Klimenko A47C 27/081
441/129
- D482,315 S * 11/2003 Bridge D12/316
- 6,659,822 B1 * 12/2003 Dombeck B63B 35/58
441/35

- D510,062 S * 9/2005 McCormack D12/316
- 7,052,344 B1 * 5/2006 Peterson B29D 22/02
441/40
- 7,328,472 B2 * 2/2008 Chaffee A47C 7/021
5/655.3
- 7,357,688 B2 * 4/2008 Ferrara B63B 7/082
114/345
- D629,484 S * 12/2010 Jackson D21/803
- 8,418,631 B2 * 4/2013 Linares B63B 7/082
108/51.11

(Continued)

OTHER PUBLICATIONS

Nautibuoy Marine Brochure, uploaded online Feb. 2017, dated as Nov. 2016 [online], [site visited Nov. 25, 2019]. Available from Internet: <URL:http://http://baxtermarine.com/wp-content/uploads/2017/02/Nautibuoy-Brochure-Nov-2016.pdf>.*

(Continued)

Primary Examiner — Cynthia M. Chin
(74) *Attorney, Agent, or Firm* — Optimus Patents US, LLC

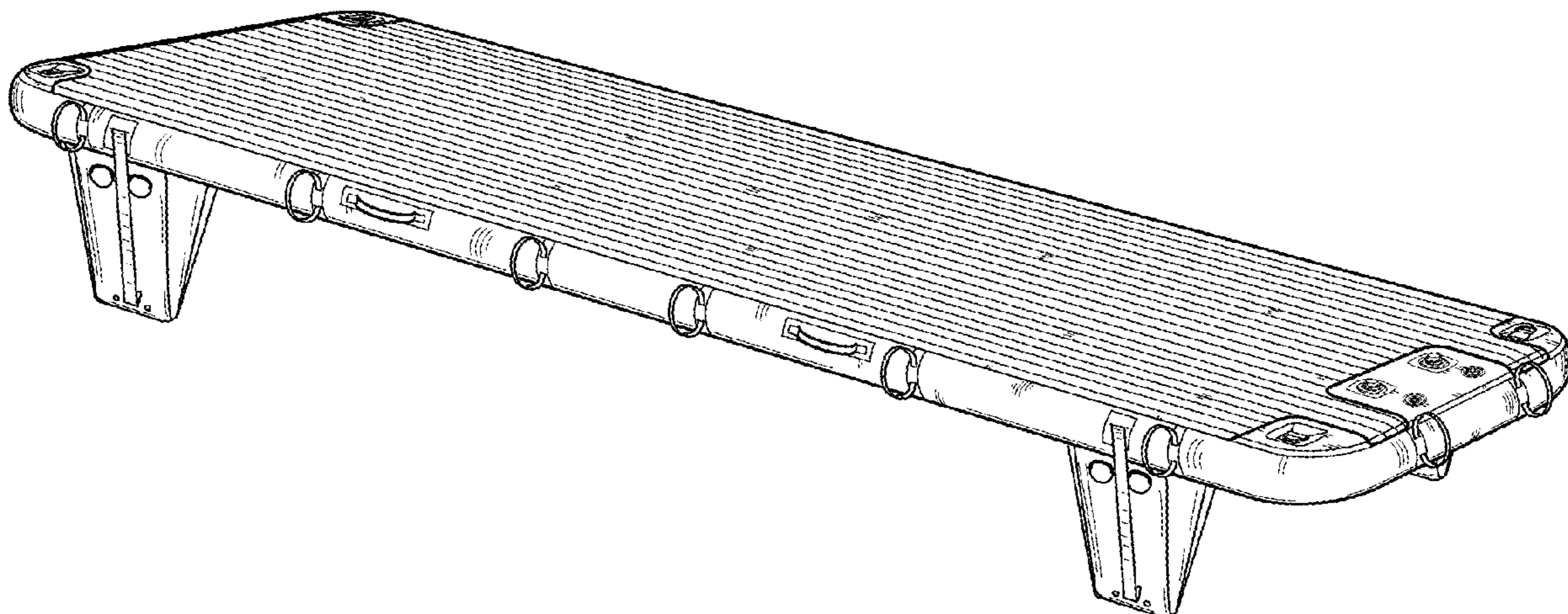
(57) **CLAIM**

The ornamental design for a floating platform, as shown and described.

DESCRIPTION

FIG. 1 is a top perspective view of a platform for yachts; FIG. 2 is a bottom perspective view thereof; FIG. 3 is a left side view thereof; FIG. 4 is a right side view thereof; FIG. 5 is a front view thereof; FIG. 6 is a rear view thereof; FIG. 7 is top view thereof; and, FIG. 8 is a bottom view thereof. The shading lines shown in the drawing represent the three-dimensional contour of the claimed design, and are not intended to indicate surface decoration.

1 Claim, 8 Drawing Sheets



(56)

References Cited

U.S. PATENT DOCUMENTS

8,702,461 B1 * 4/2014 d'Offay B63B 35/58
114/345
D717,900 S * 11/2014 Monroe D21/803
9,302,749 B1 * 4/2016 D'Offay B63B 7/082
9,688,364 B1 * 6/2017 Fuqua B63B 3/06
2001/0036782 A1 * 11/2001 Gredy B63B 21/00
441/129

OTHER PUBLICATIONS

Nautiboy platform—"NautiBuoy charms at SCIBS" uploaded online
May 2016 [site visited Jan. 5, 2020]. Available from Internet:
<URL: <https://superiorjetties.com/2016/05/>>.*

* cited by examiner

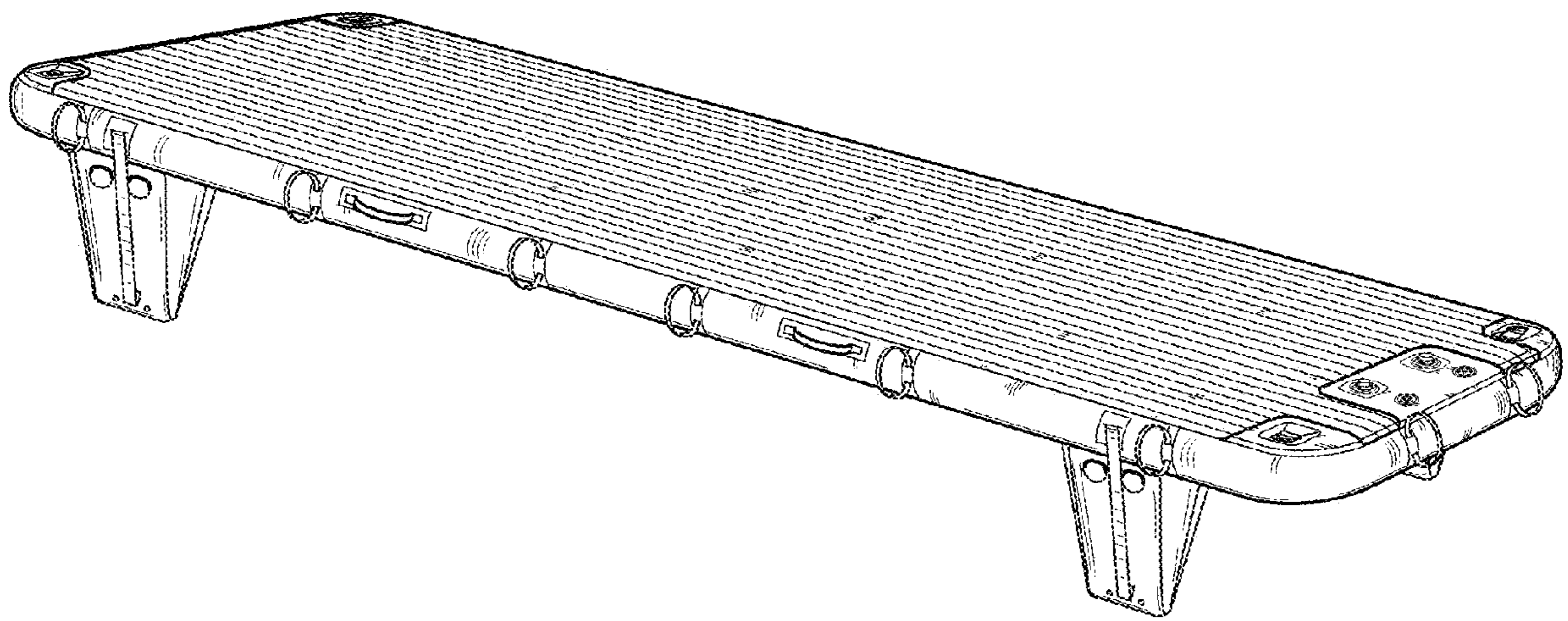


FIG. 1

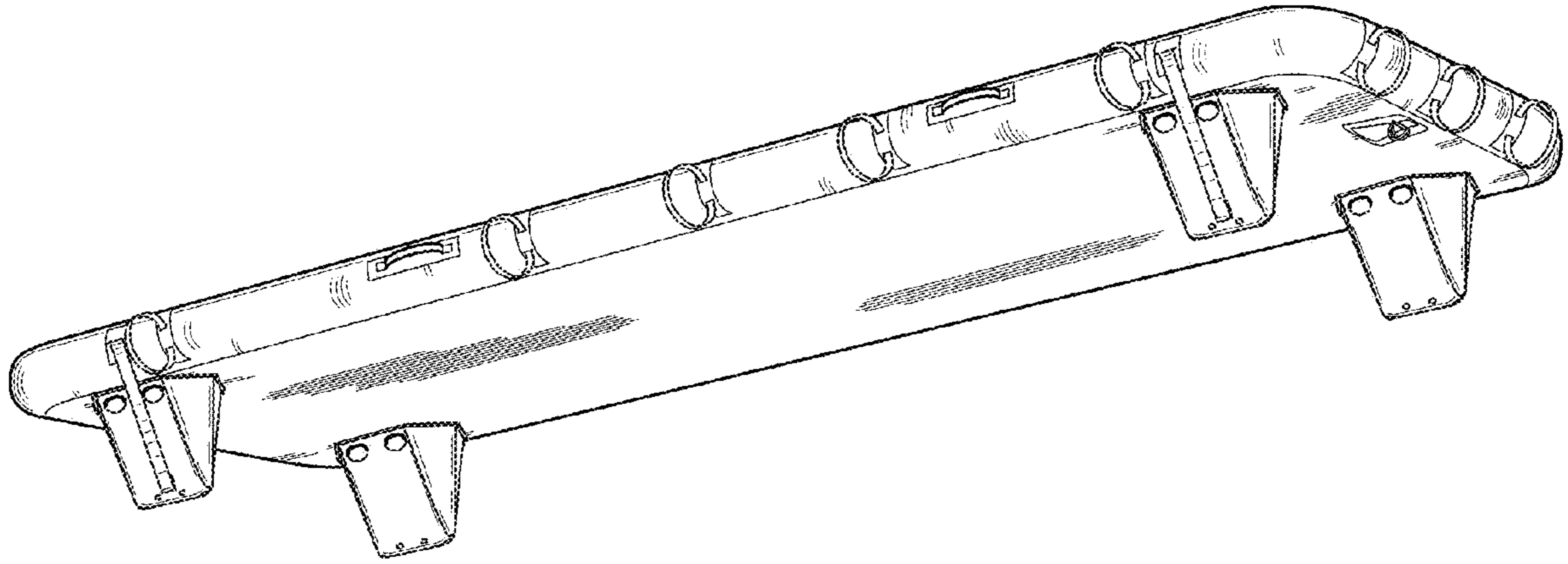


FIG. 2

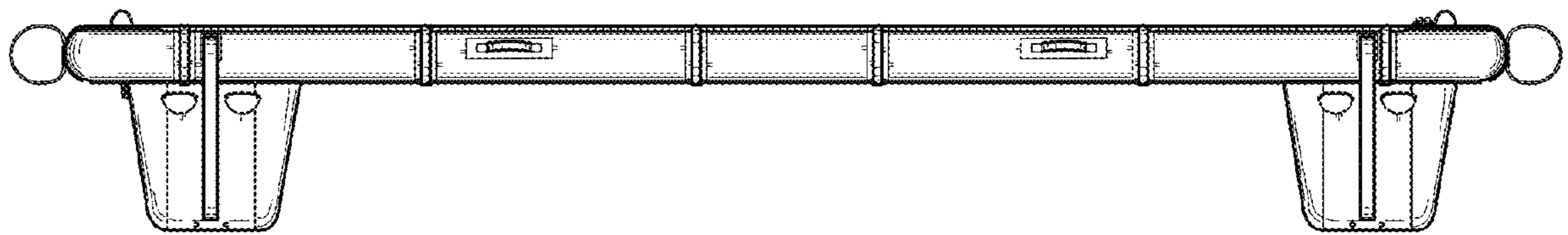


FIG. 3

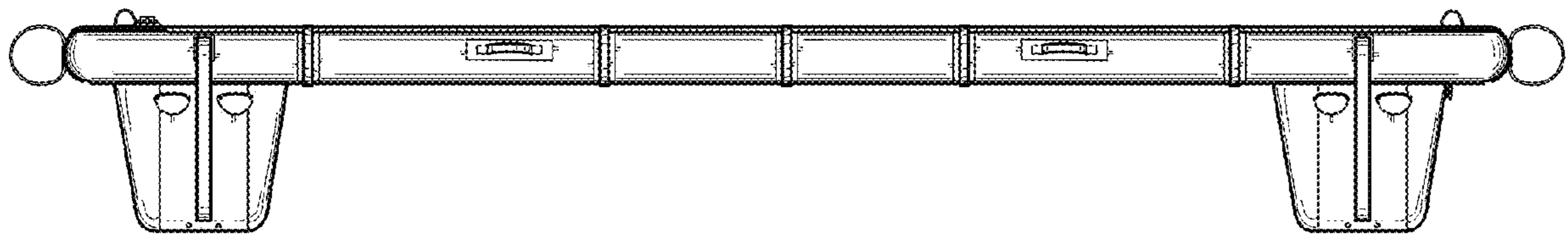


FIG. 4

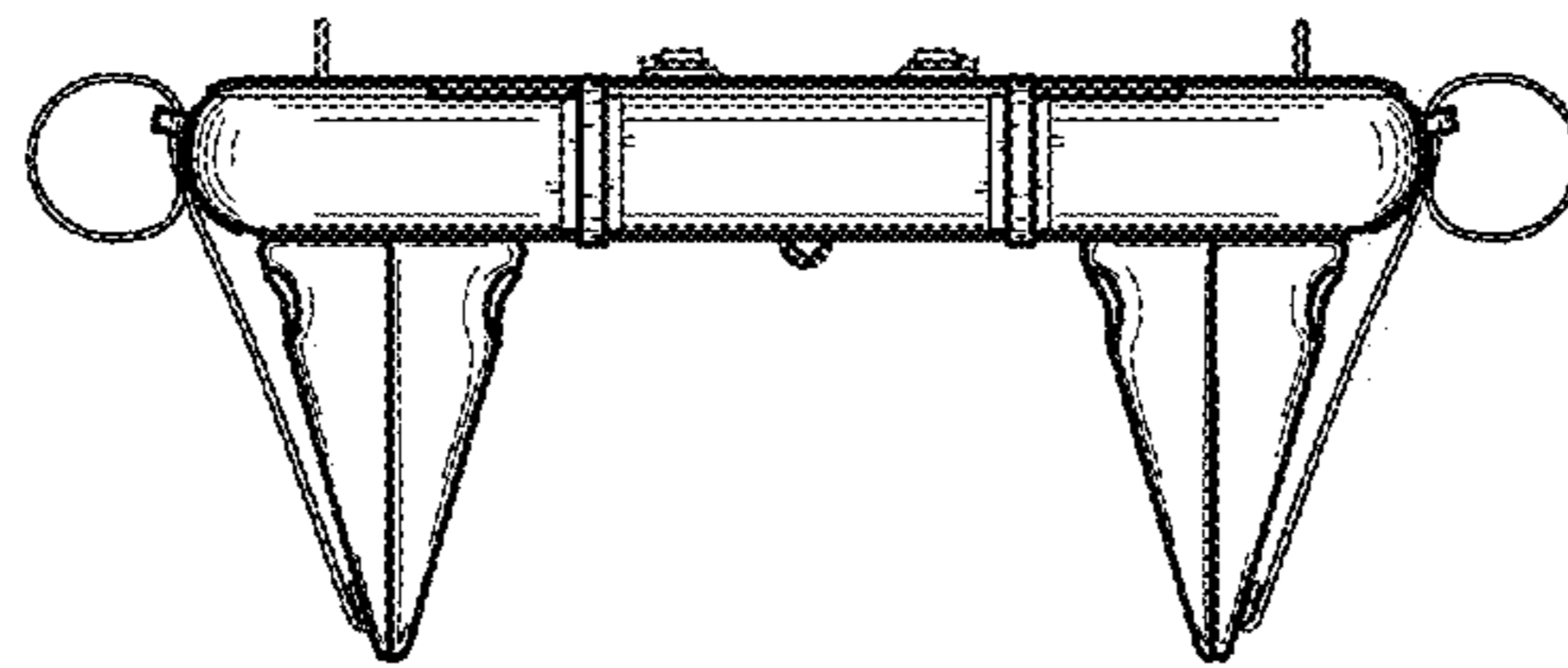


FIG. 5

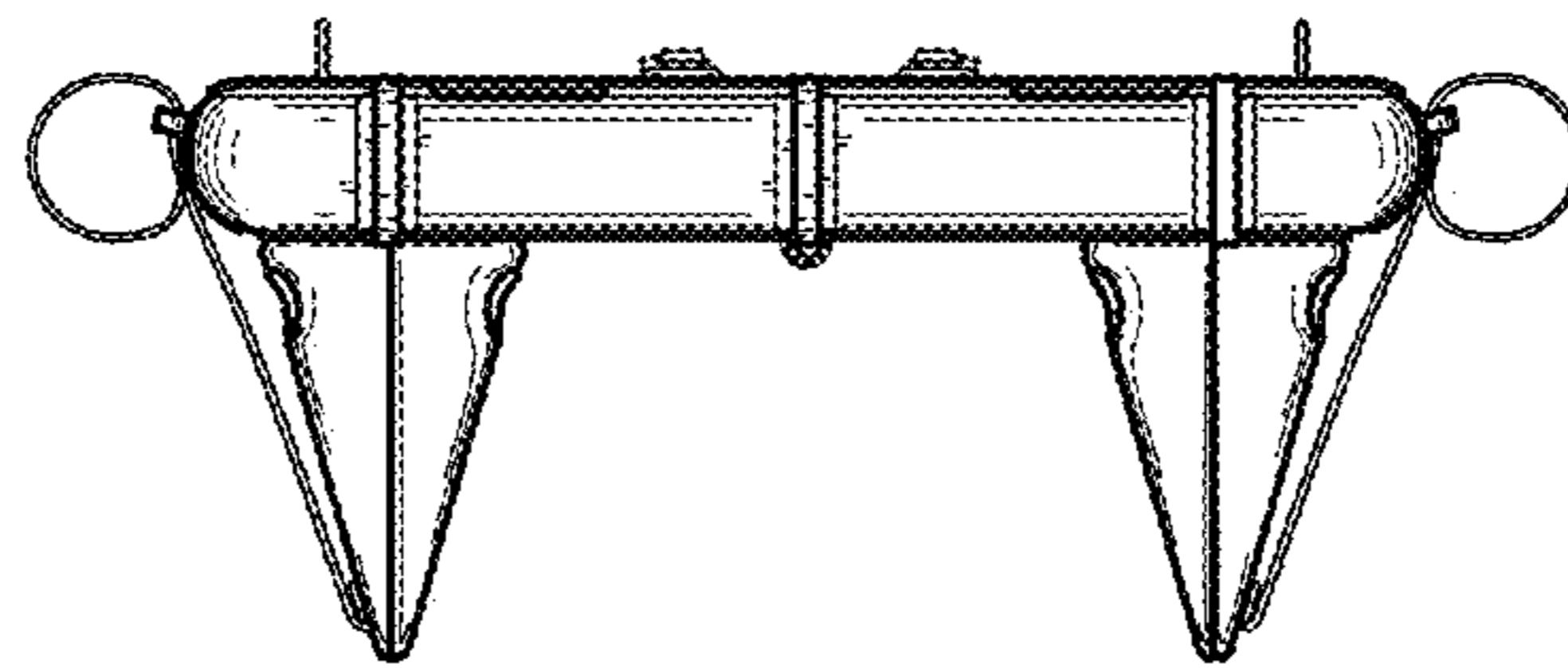


FIG. 6

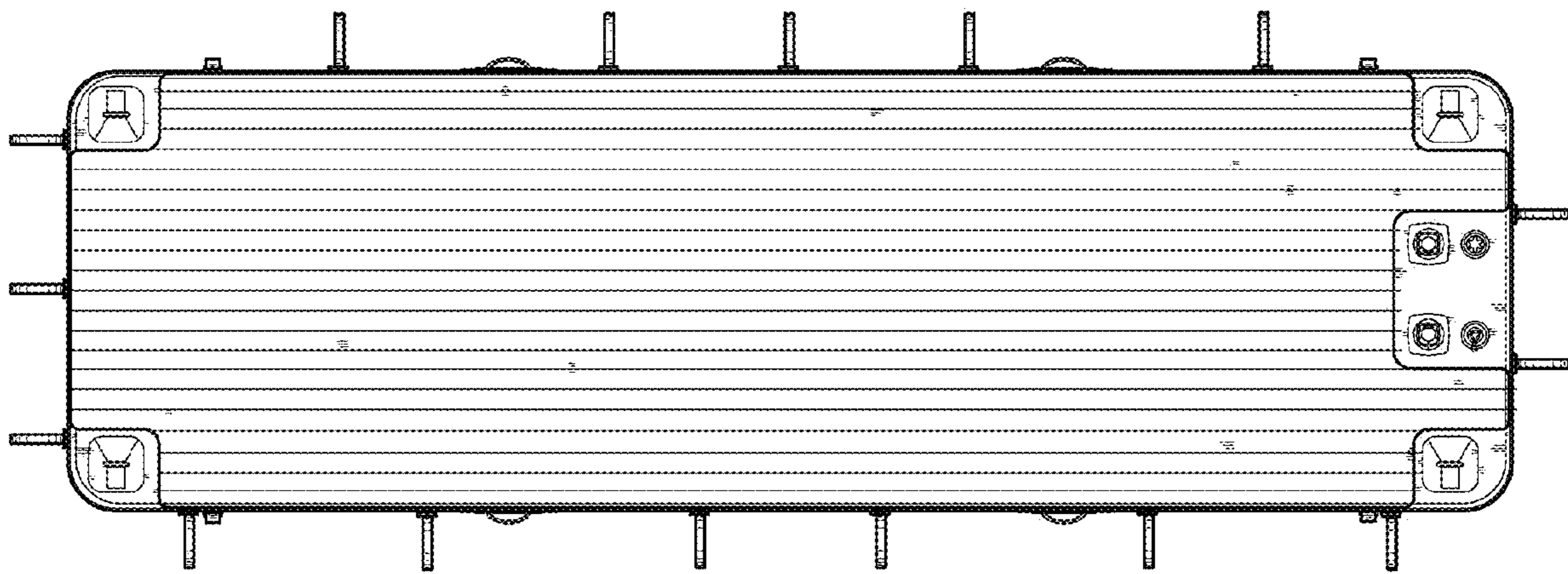


FIG. 7

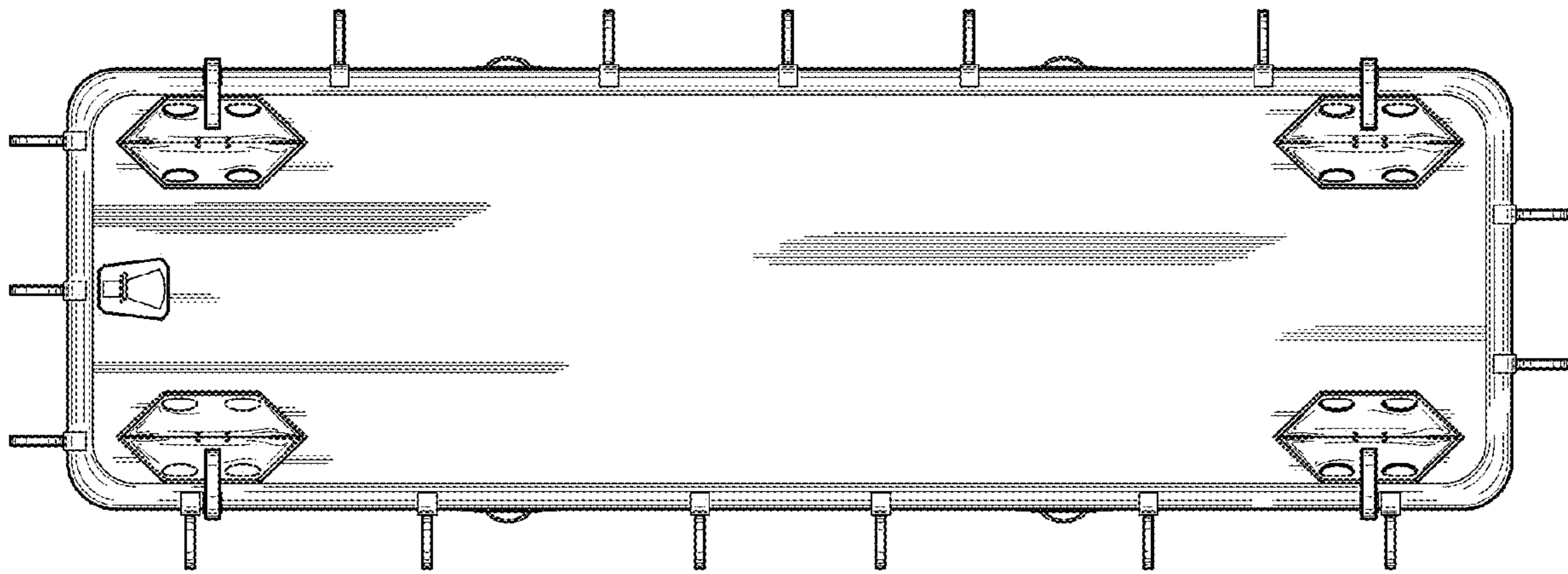


FIG. 8