

US00D900698S

(12) **United States Design Patent**
Chung

(10) **Patent No.:** **US D900,698 S**

(45) **Date of Patent:** **** Nov. 3, 2020**

(54) **WHEEL**

(71) Applicant: **Wheel Pros, LLC**, Greenwood Village,
CO (US)

(72) Inventor: **Suny Chung**, Anaheim, CA (US)

(**) Term: **15 Years**

(21) Appl. No.: **29/700,302**

(22) Filed: **Aug. 1, 2019**

(51) **LOC (12) Cl.** **12-16**

(52) **U.S. Cl.**
USPC **D12/209**

(58) **Field of Classification Search**
USPC D12/204–213; D21/533, 561, 563
CPC .. B60B 37/00; B60B 7/02; B60B 7/04; B60B
7/06; B60B 3/02; B60B 3/04; B60B 3/06;
B60B 3/10; B60B 1/00; B60B 1/08;
B60B 1/10; B60B 1/12

See application file for complete search history.

(56) **References Cited**

U.S. PATENT DOCUMENTS

D478,542 S	8/2003	Sulahian	
D513,486 S	1/2006	Rivera	
D528,954 S	9/2006	Laengerer	
D552,525 S	10/2007	Celik	
D553,068 S	10/2007	Celik	
D599,266 S	9/2009	Bierenbreier	
D613,659 S	4/2010	Cortes	
D620,873 S	8/2010	Groom	
D625,235 S	10/2010	Nissl	
D649,101 S *	11/2011	Hale, Jr.	D12/209
D664,907 S *	8/2012	Hale, Jr.	D12/209
D684,516 S	6/2013	Bennion	
D704,116 S	5/2014	Chung	
D707,610 S *	6/2014	Hale, Jr.	D12/211
D717,224 S *	11/2014	Kim	D12/211

D722,548 S *	2/2015	Chung	D12/211
D733,027 S	6/2015	Chung	
D735,104 S	7/2015	Hodges	
D739,803 S	9/2015	Miansian	
D748,556 S	2/2016	Valencia Pollex	
D749,030 S	2/2016	Zhao	
D750,003 S	2/2016	Ahmad	
D755,694 S	5/2016	Valencia Pollex	
D756,287 S	5/2016	Koglin	
D763,163 S *	8/2016	Chung	D12/211
D764,373 S	8/2016	Valencia Pollex	
D769,166 S	10/2016	Juergens	
D770,960 S	11/2016	Svensson	
D775,578 S	1/2017	Johnson	
D792,308 S *	7/2017	Guo	D12/209
D798,786 S *	10/2017	Chung	D12/209
D802,509 S *	11/2017	Tran	D12/209
D818,412 S *	5/2018	Oldham	D12/211
D823,767 S *	7/2018	Johnson	D12/209
D826,131 S *	8/2018	Palana	D12/211
D833,950 S *	11/2018	Sempek	D12/211
D845,862 S *	4/2019	Kong	D12/209
D847,720 S *	5/2019	Chung	D12/211
D848,927 S *	5/2019	Kleinschuster	D12/211
D849,654 S *	5/2019	Kong	D12/209

(Continued)

Primary Examiner — Sheryl Lane

Assistant Examiner — Calvin E Vansant

(74) *Attorney, Agent, or Firm* — Eric Hanscom

(57) **CLAIM**

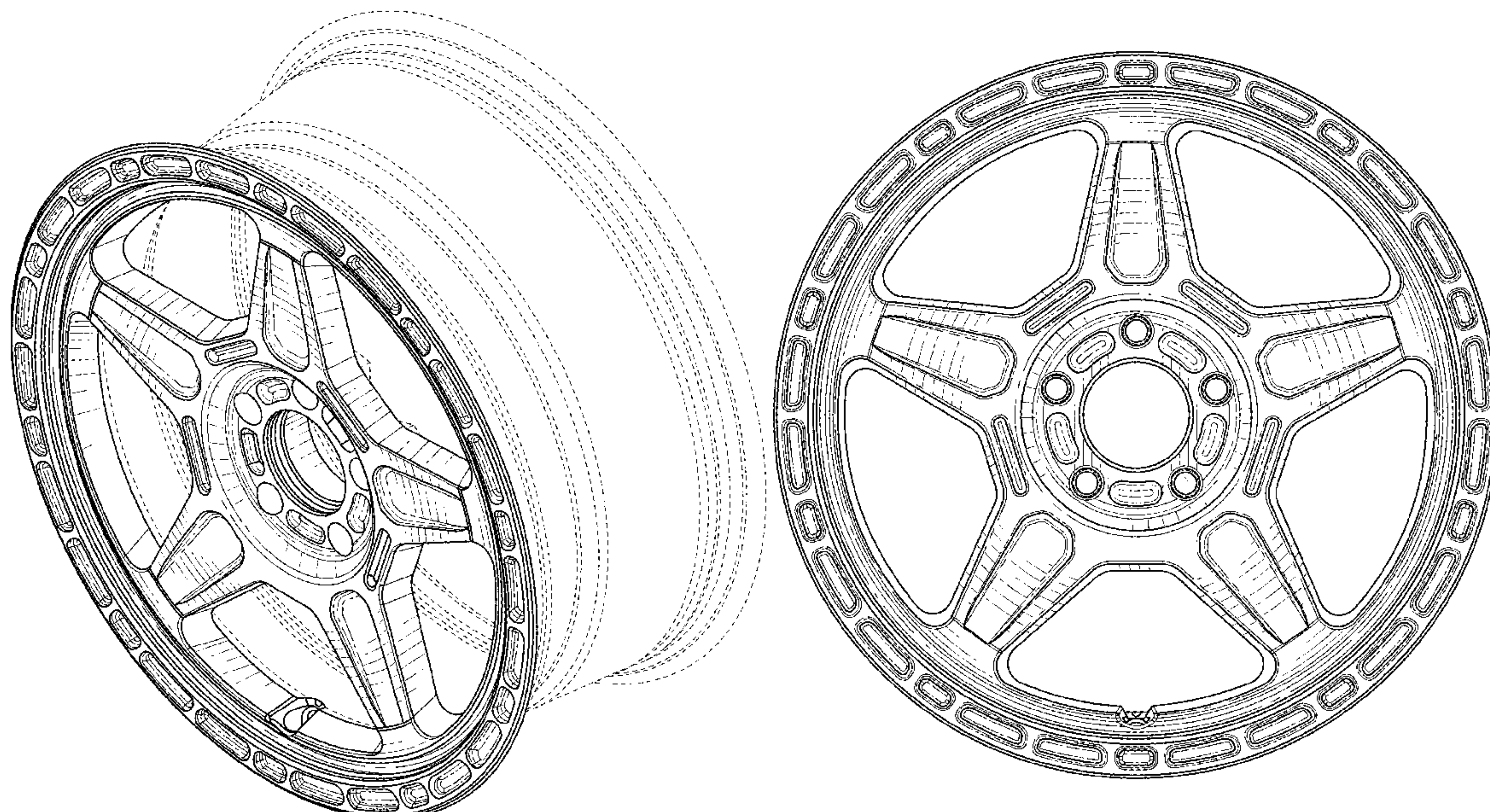
The ornamental design for a wheel, as shown and described.

DESCRIPTION

FIG. 1 is a perspective view of a wheel showing my new design; and,
FIG. 2 is a front view thereof.

In the drawings, broken lines shown in the drawings depict environmental subject matter only and form no part of the claimed design.

1 Claim, 2 Drawing Sheets



(56)

References Cited

U.S. PATENT DOCUMENTS

D853,932 S	*	7/2019	Chung	D12/211
D857,594 S	*	8/2019	Liffick	D12/211
D860,095 S	*	9/2019	Milani	D12/209
D889,365 S	*	7/2020	Han	D12/209
D892,013 S	*	8/2020	Han	D12/209

* cited by examiner

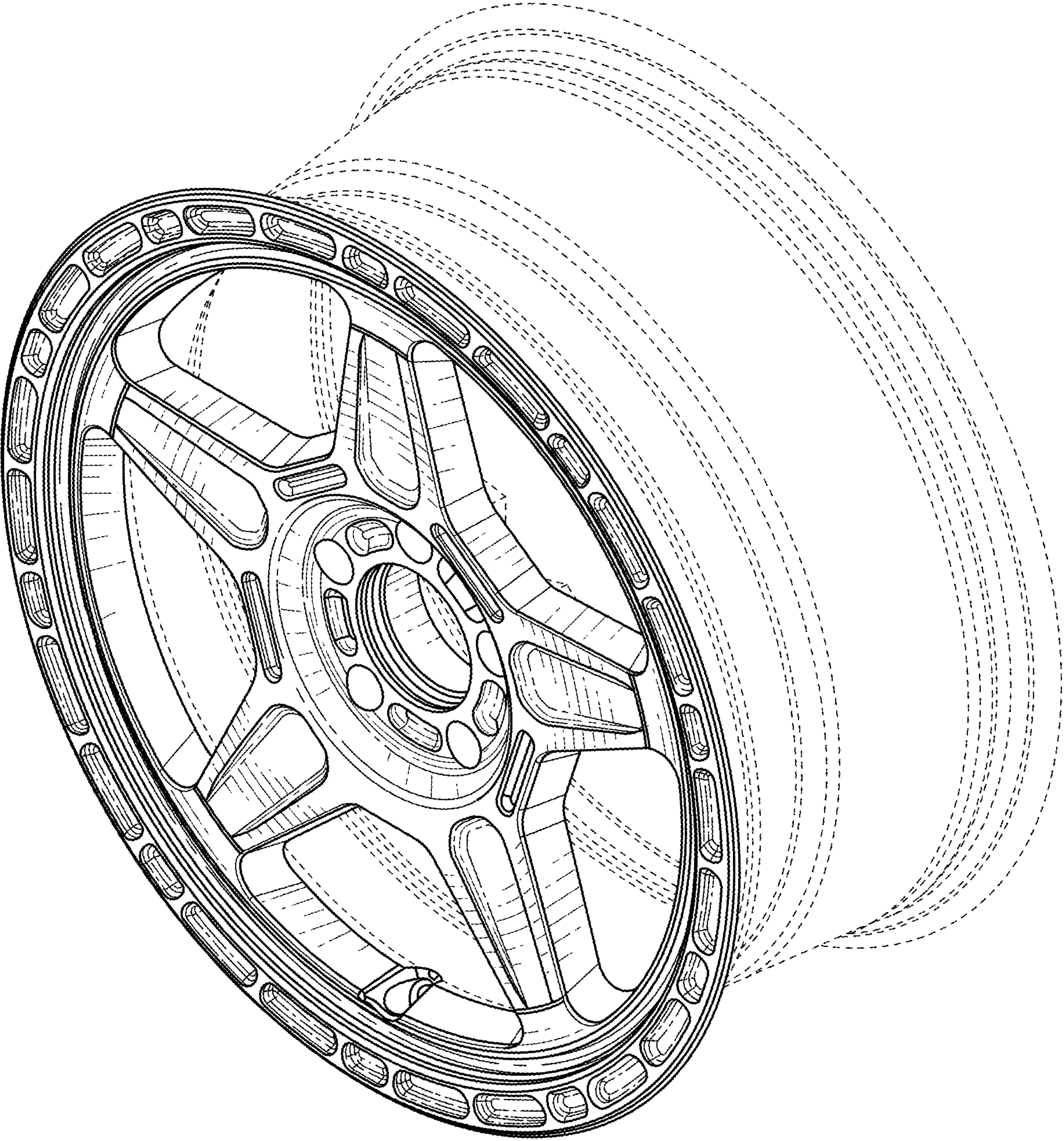


FIG. 1

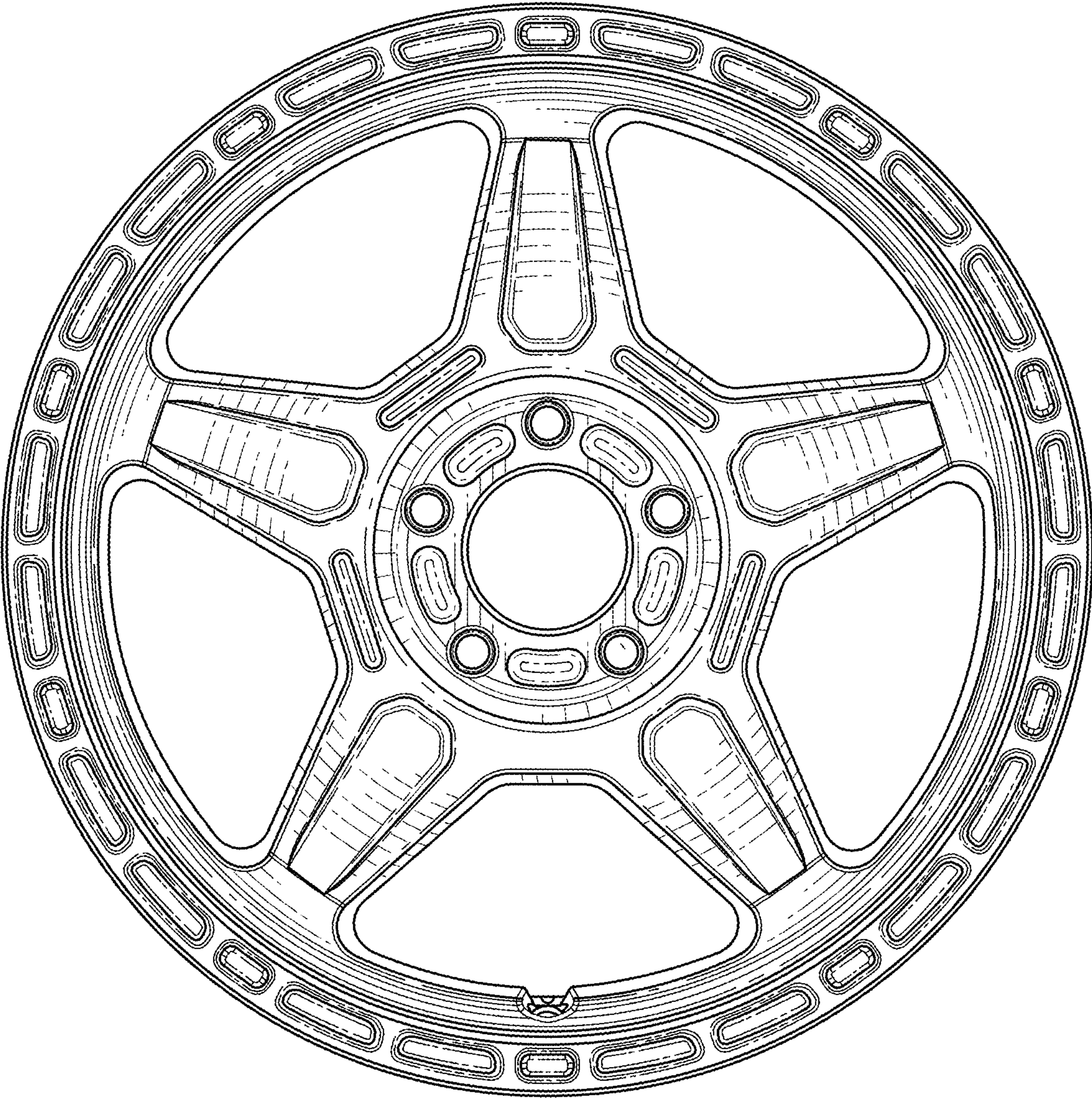


FIG. 2