



US00D900693S

(12) **United States Design Patent** (10) **Patent No.:** **US D900,693 S**
Kim et al. (45) **Date of Patent:** **** Nov. 3, 2020**

(54) **REAR DOOR PANEL FOR VEHICLES**

(56) **References Cited**

(71) Applicants: **HYUNDAI MOTOR COMPANY**,
Seoul (KR); **KIA MOTORS**
CORPORATION, Seoul (KR)

U.S. PATENT DOCUMENTS

(72) Inventors: **Han-Gyeol Kim**, Paju-si (KR); **Goo**
Lee, Anyang-si (KR)

D785,530 S * 5/2017 Kyung D12/196
D787,402 S * 5/2017 Luk D12/196
D801,247 S * 10/2017 Lee D12/196
D833,938 S * 11/2018 Lee D12/196
D859,255 S * 9/2019 Lee D12/196
D875,011 S * 2/2020 Choi D12/196

(73) Assignees: **Hyundai Motor Company**, Seoul
(KR); **Kia Motors Corporation**, Seoul
(KR)

* cited by examiner

(**) Term: **15 Years**

Primary Examiner — George D. Kirschbaum
Assistant Examiner — Calvin E Vansant

(21) Appl. No.: **35/507,569**

(74) *Attorney, Agent, or Firm* — Mintz Levin Cohn Ferris
Glovsky and Popeo, P.C.; Peter F. Corless; Carolina E.
Säve

(22) Filed: **Feb. 20, 2019**

(57) **CLAIM**

(80) **Hague Agreement Data**

The ornamental design for a rear door panel for vehicles, as
shown and described.

Int. Filing Date: **Feb. 20, 2019**
Int. Reg. No.: **DM/203434**
Int. Reg. Date: **Feb. 20, 2019**
Int. Reg. Pub. Date: **Oct. 25, 2019**

DESCRIPTION

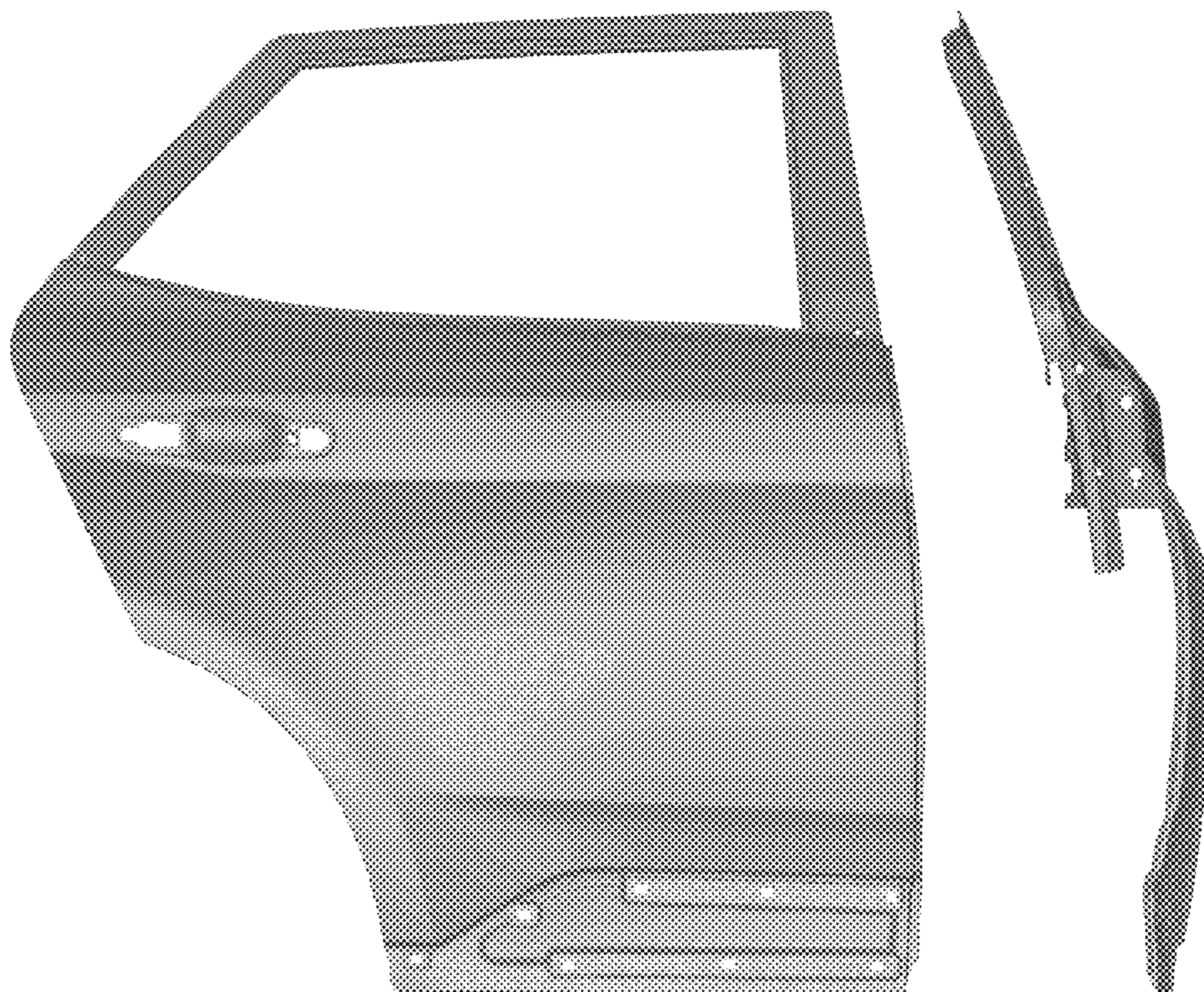
(51) **LOC (12) Cl.** **12-16**

(52) **U.S. Cl.**
USPC **D12/196**

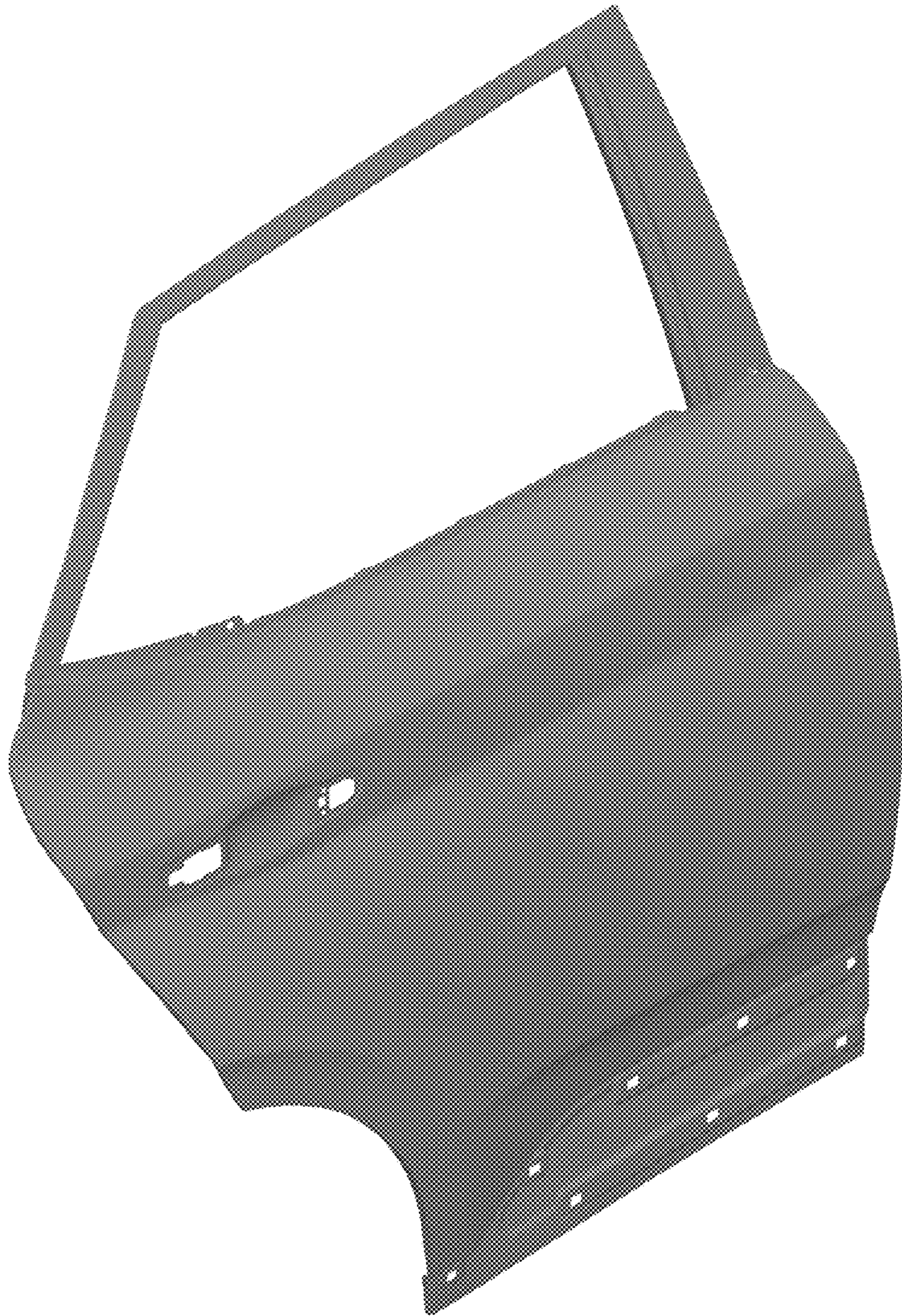
(58) **Field of Classification Search**
USPC D12/86, 88, 90-92, 184, 196; D21/424,
D21/433, 434, 533, 548
CPC B62D 25/00; B62D 25/02; B62D 25/06;
B62D 35/00; B62D 35/005; B60J 5/04
See application file for complete search history.

1. Rear door panel for vehicles
1.1 : Perspective
1.2 : Front
1.3 : Back
1.4 : Left
1.5 : Right
1.6 : Top
1.7 : Bottom

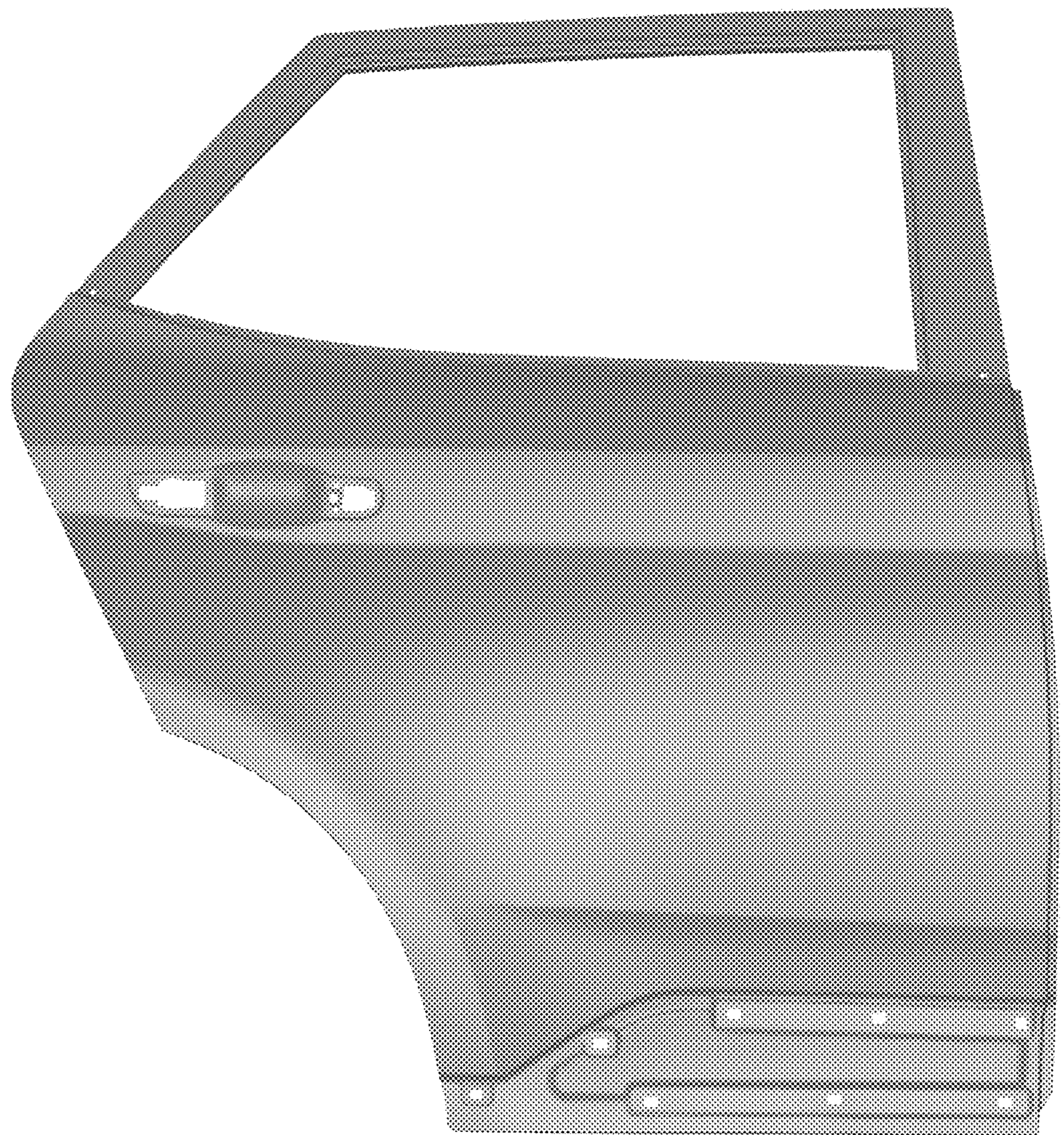
1 Claim, 7 Drawing Sheets



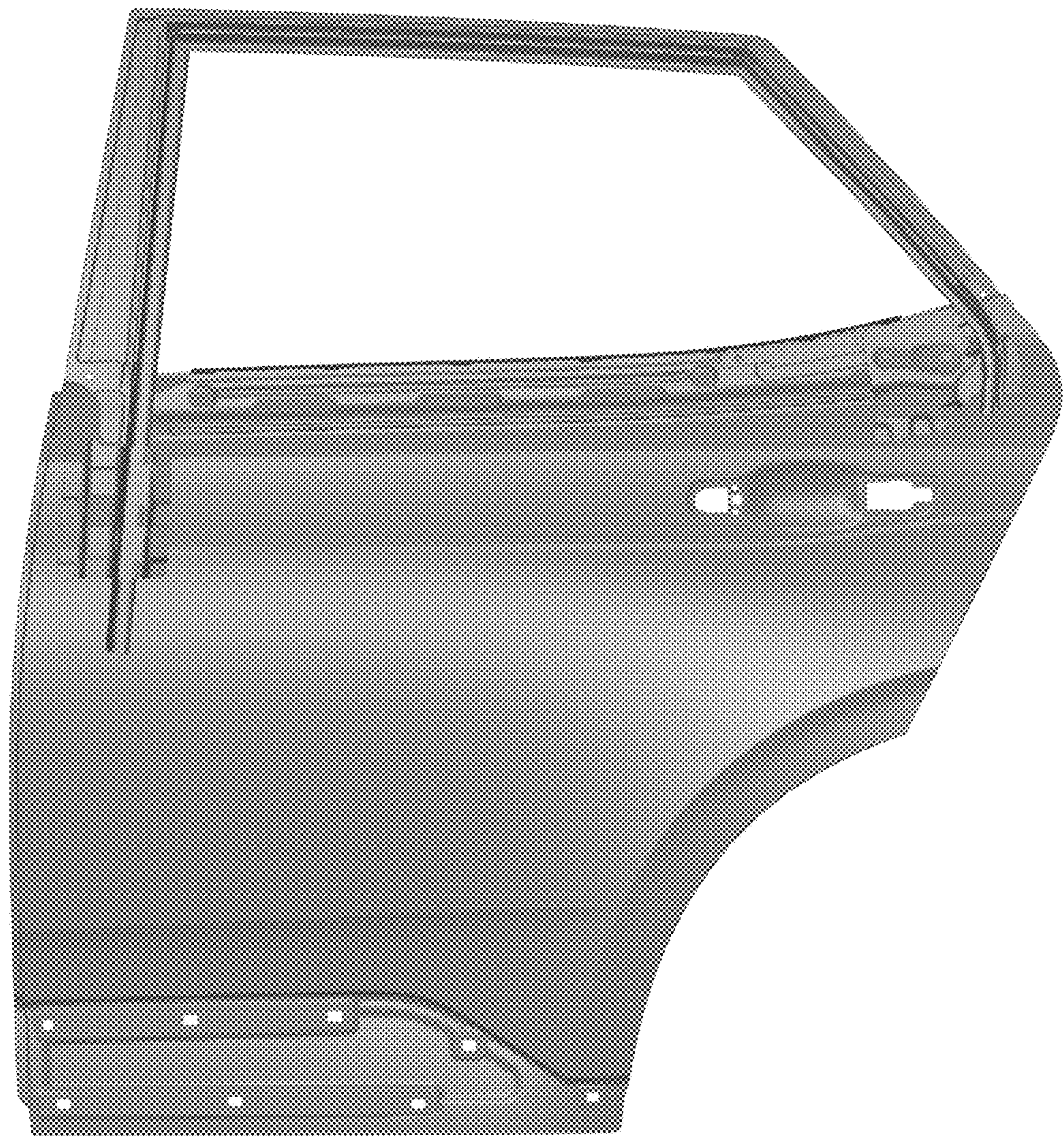
1.1



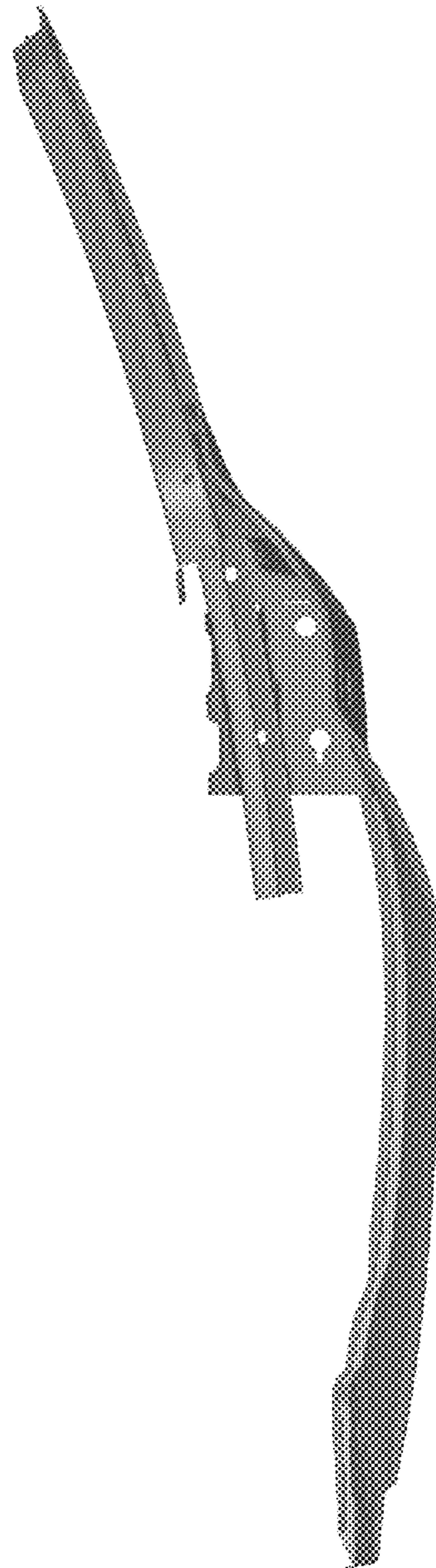
1.2



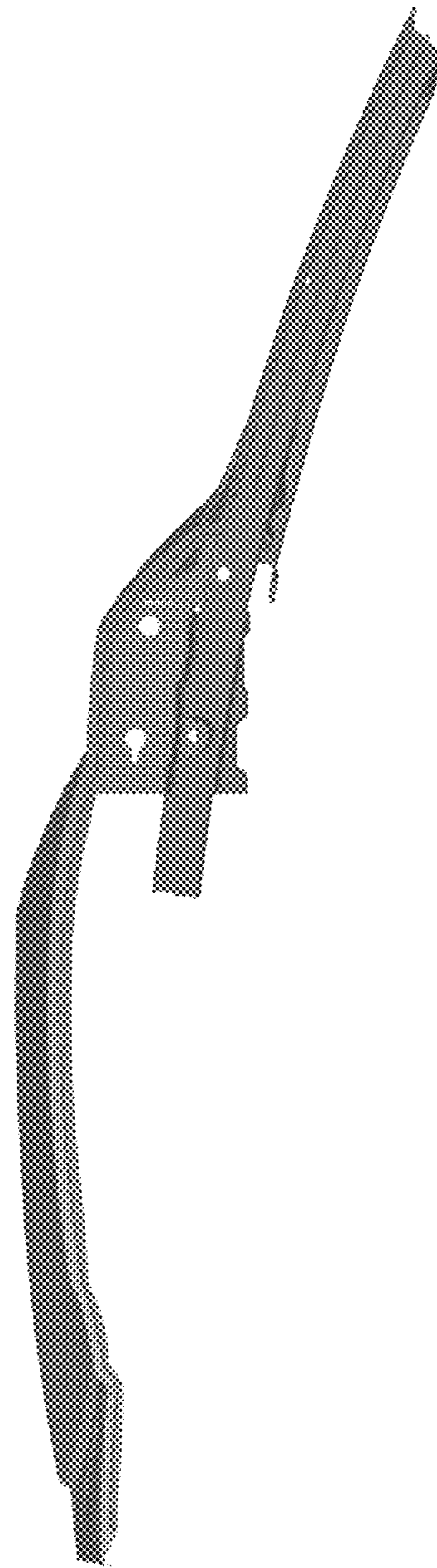
1.3



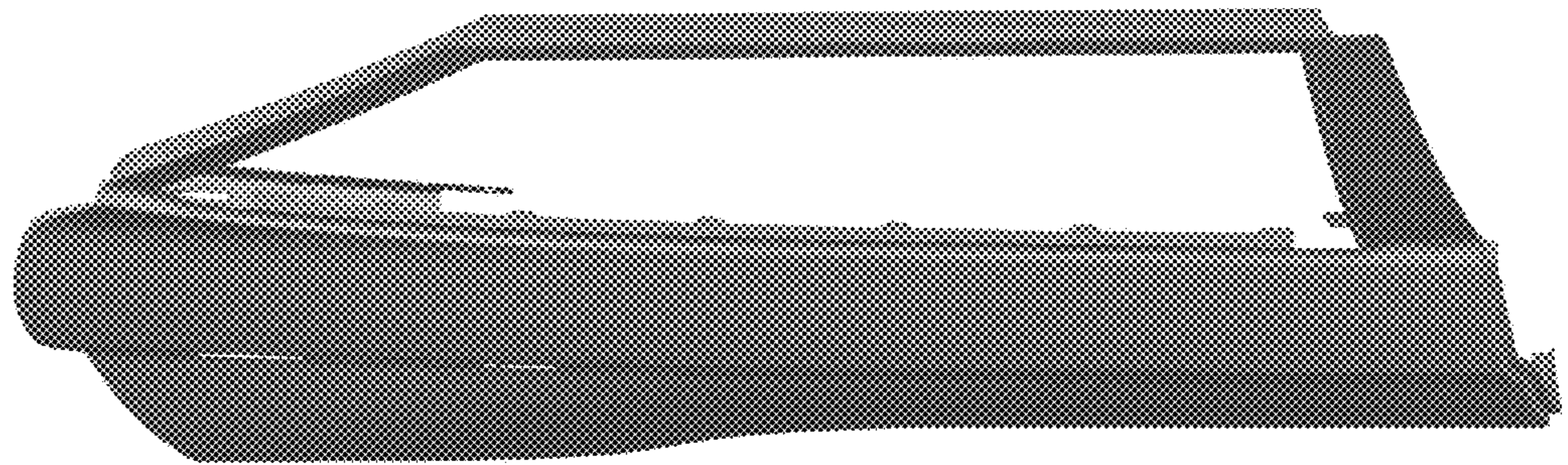
1.4



1.5



1.6



1.7

