



US00D900691S

(12) **United States Design Patent**  
**La Com**

(10) **Patent No.:** **US D900,691 S**

(45) **Date of Patent:** **\*\* Nov. 3, 2020**

(54) **DOOR PANEL**

(71) Applicant: **HONDA MOTOR CO., LTD.**, Tokyo (JP)

(72) Inventor: **Ryan W. La Com**, Glendale, CA (US)

(73) Assignee: **HONDA MOTOR CO., LTD.**, Tokyo (JP)

(\*\*) Term: **15 Years**

(21) Appl. No.: **29/700,223**

(22) Filed: **Jul. 31, 2019**

(51) **LOC (12) Cl.** ..... **12-16**

(52) **U.S. Cl.**  
USPC ..... **D12/196**

(58) **Field of Classification Search**  
USPC ..... D8/300, 302, 305, 307, 315; D12/190, D12/193, 195, 196, 414  
CPC ..... E05B 81/56; E05B 81/80; E05B 65/00; E05B 65/06; E05B 65/10; E05B 65/12; E05B 79/06; B60J 5/04  
See application file for complete search history.

(56) **References Cited**

**U.S. PATENT DOCUMENTS**

4,728,143	A *	3/1988	Tanino	.....	B60J 5/04 296/146.7
5,902,004	A *	5/1999	Waltz	.....	B60J 5/0416 296/146.9
7,380,864	B2 *	6/2008	Guanzon	.....	E05B 79/06 16/412
7,530,610	B2 *	5/2009	Tanimoto	.....	E05B 79/06 292/336.3

(Continued)

*Primary Examiner* — Janice Hallmark  
*Assistant Examiner* — Suzanne E Tisdell

(74) *Attorney, Agent, or Firm* — Arent Fox LLP

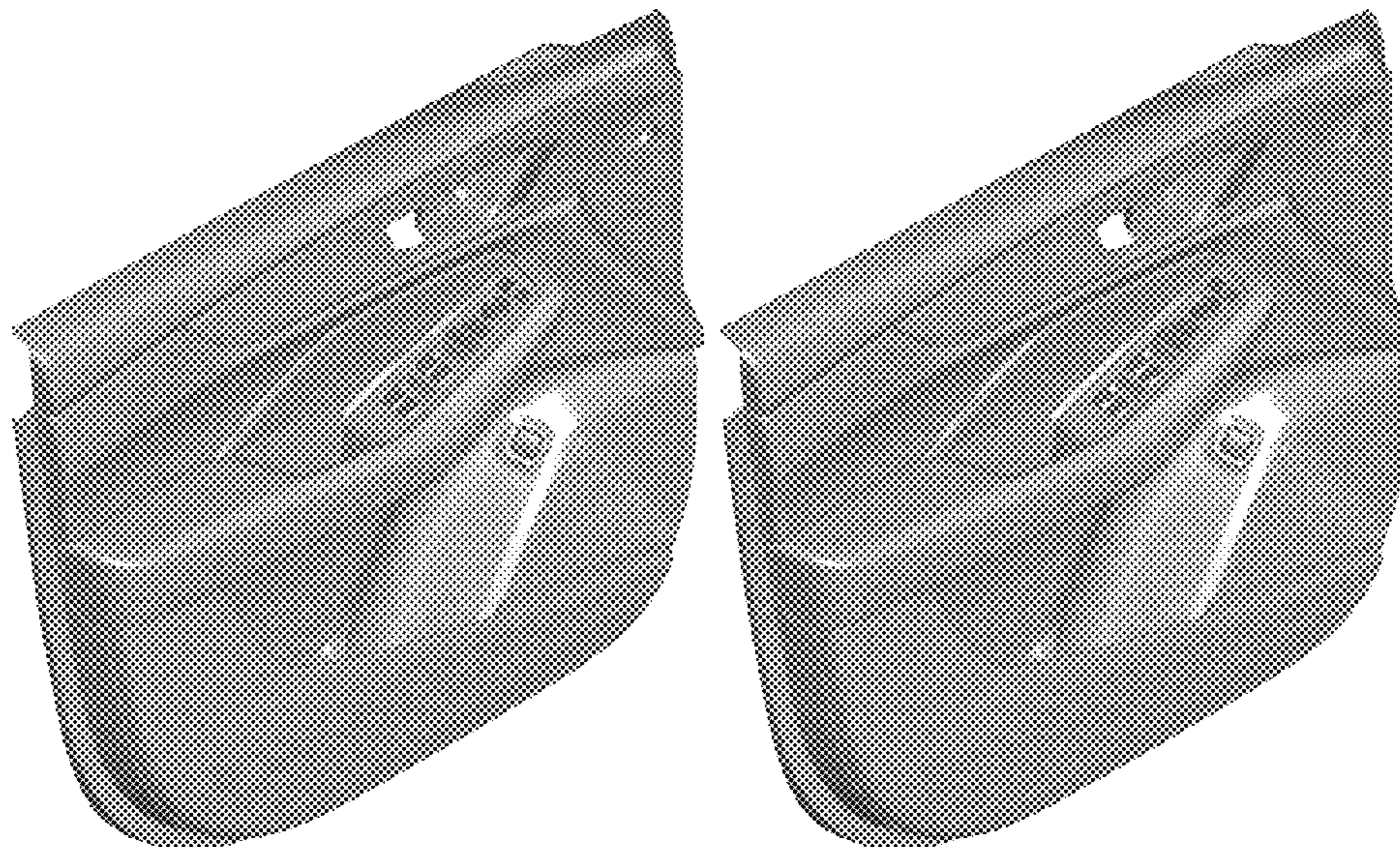
(57) **CLAIM**

The ornamental design for a door panel, as shown and described.

**DESCRIPTION**

FIG. 1 is a front left perspective view of a first embodiment of a door panel showing my new design;  
FIG. 2 is a rear left perspective view of the design shown in FIG. 1;  
FIG. 3 is a rear right perspective view of the design shown in FIG. 1;  
FIG. 4 is a front right perspective view of the design shown in FIG. 1;  
FIG. 5 is a left side view of the design shown in FIG. 1;  
FIG. 6 is a right side view of the design shown in FIG. 1;  
FIG. 7 is a rear view of the design shown in FIG. 1;  
FIG. 8 is a front view of the design shown in FIG. 1;  
FIG. 9 is a top view of the design shown in FIG. 1;  
FIG. 10 is a bottom view of the design shown in FIG. 1;  
FIG. 11 is a front left perspective view of a second embodiment of a door panel showing my new design;  
FIG. 12 is a rear left perspective view of the design shown in FIG. 11;  
FIG. 13 is a rear right perspective view of the design shown in FIG. 11;  
FIG. 14 is a front right perspective view of the design shown in FIG. 11;  
FIG. 15 is a left side view of the design shown in FIG. 11;  
FIG. 16 is a right side view of the design shown in FIG. 11;  
FIG. 17 is a rear view of the design shown in FIG. 11;  
FIG. 18 is a front view of the design shown in FIG. 11;  
FIG. 19 is a top view of the design shown in FIG. 11; and  
FIG. 20 is a bottom view of the design shown in FIG. 11.  
The broken lines shown in the figures are included for the purpose of illustrating portions of the door panel and form no part of the claimed design.

**1 Claim, 20 Drawing Sheets**



(56)

**References Cited**

## U.S. PATENT DOCUMENTS

7,938,472 B2 \* 5/2011 Stalhammar ..... E05B 79/06  
296/146.5  
8,020,921 B2 \* 9/2011 Moberg ..... B60J 5/04  
296/146.7  
8,451,087 B2 \* 5/2013 Krishnan ..... B60J 5/04  
340/5.72  
8,579,339 B2 \* 11/2013 Abe ..... E05B 79/06  
292/336.3  
D715,204 S \* 10/2014 Peltola ..... D12/195  
D716,210 S \* 10/2014 Ishikawa ..... D12/195  
D719,884 S \* 12/2014 Peltola ..... D12/195  
D722,933 S \* 2/2015 Ishikawa ..... D12/195  
9,290,971 B2 \* 3/2016 Amagai ..... E05B 85/12  
D758,269 S \* 6/2016 Ahn ..... D12/195  
D766,791 S \* 9/2016 Buffery ..... D12/195  
D766,792 S \* 9/2016 Shimizu ..... D12/195  
D768,042 S \* 10/2016 Lee ..... D12/195  
9,469,246 B1 \* 10/2016 Gold ..... B60Q 1/34  
9,517,727 B2 \* 12/2016 Tiboni ..... B29C 65/606  
D801,899 S \* 11/2017 Watkin ..... D12/195  
D807,267 S \* 1/2018 Higashimori ..... D12/195  
D816,571 S \* 5/2018 Wiedeman ..... D12/195  
D823,760 S \* 7/2018 Sato ..... D12/195  
D831,552 S \* 10/2018 Watkin ..... D12/195  
D835,555 S \* 12/2018 Ray ..... D12/195  
D835,556 S \* 12/2018 Ray ..... D12/195

\* cited by examiner



FIG. 1

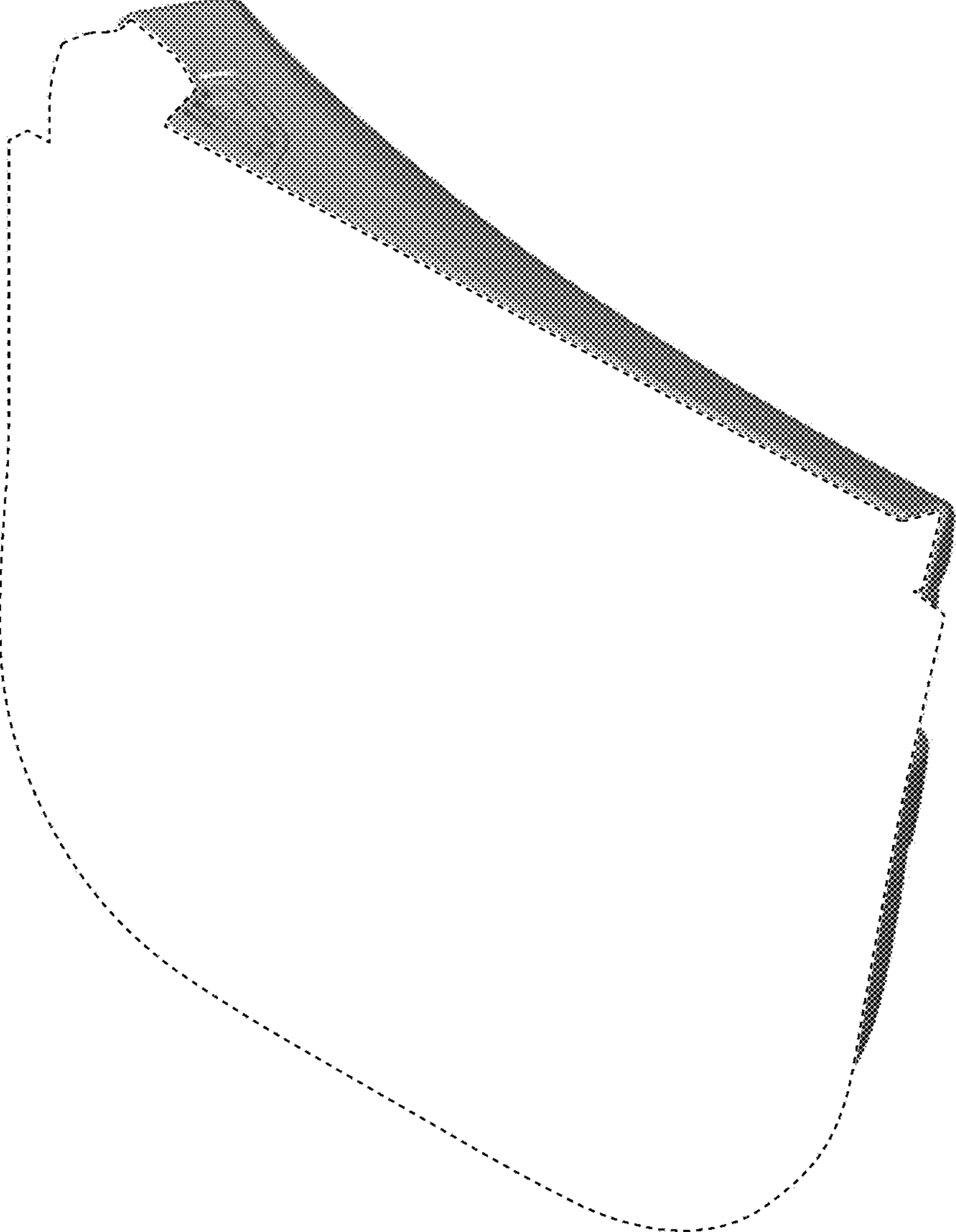


FIG. 2

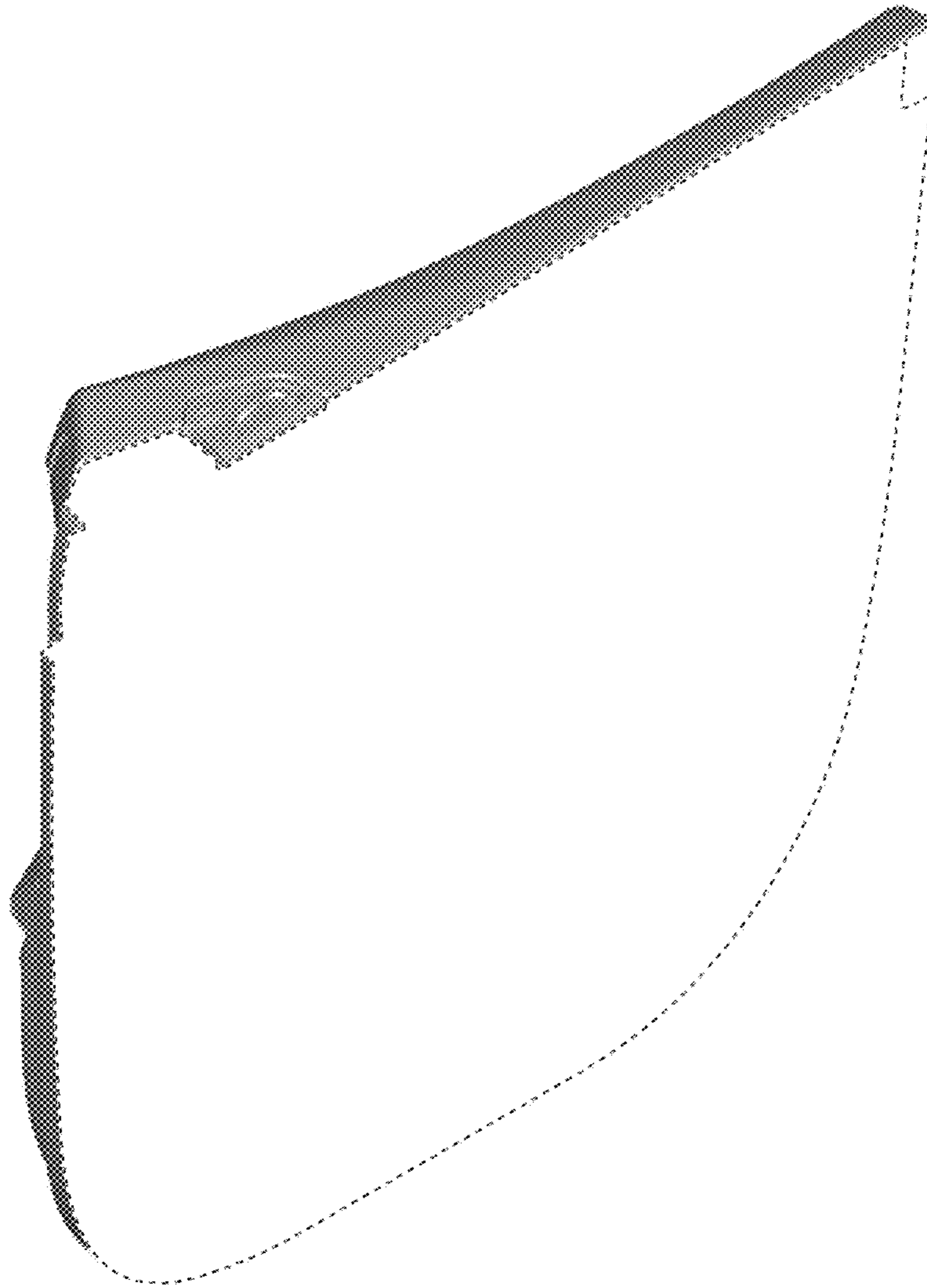


FIG. 3

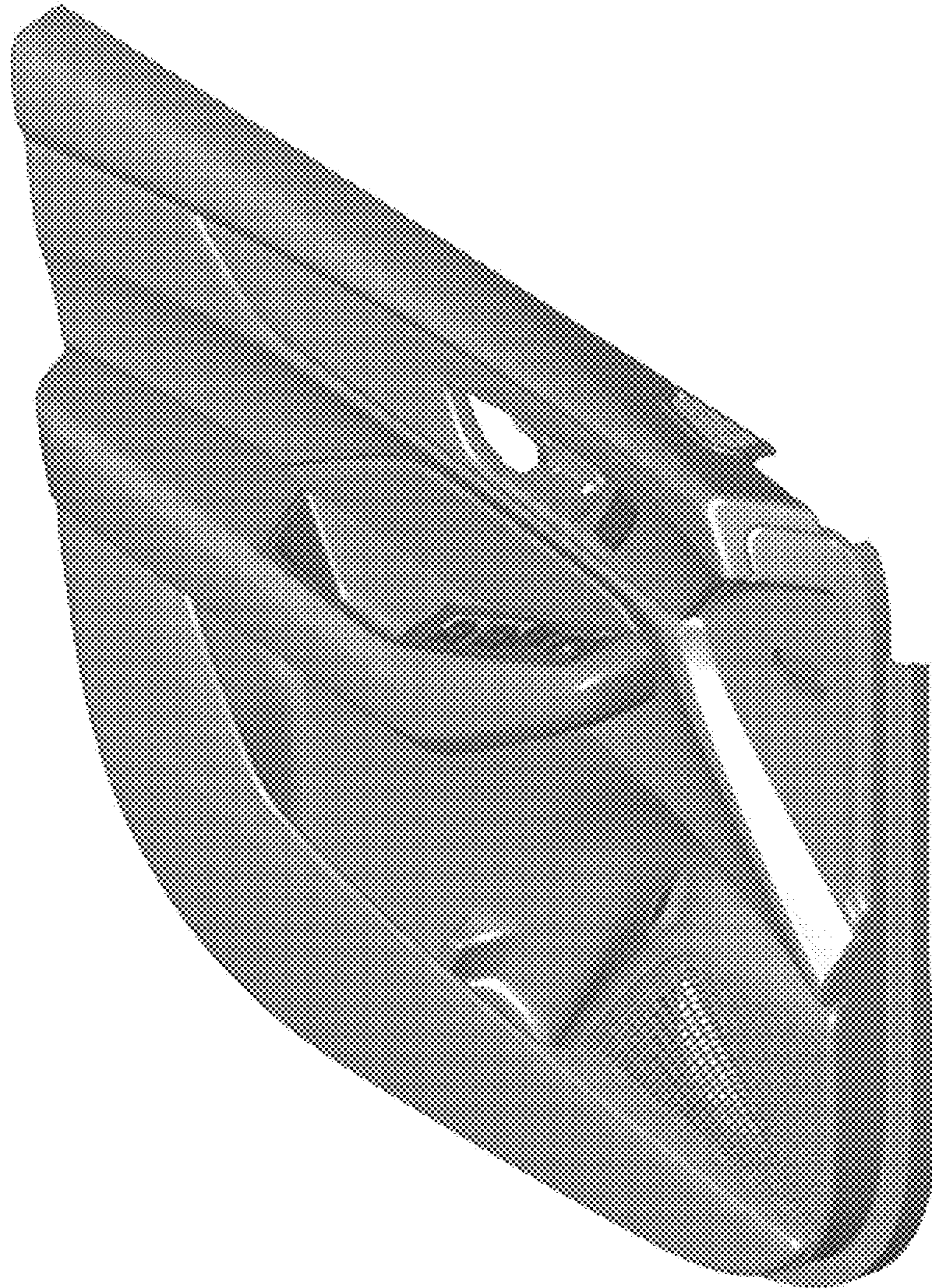


FIG. 4

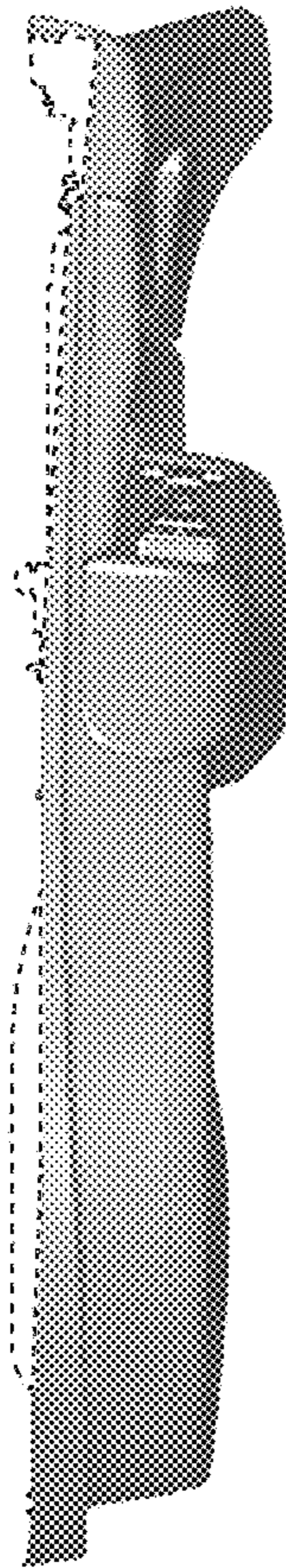


FIG. 5

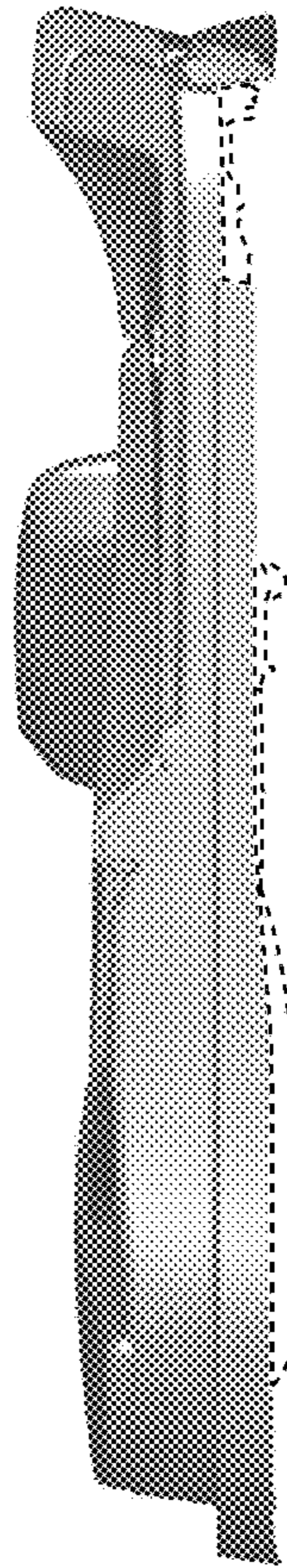


FIG. 6



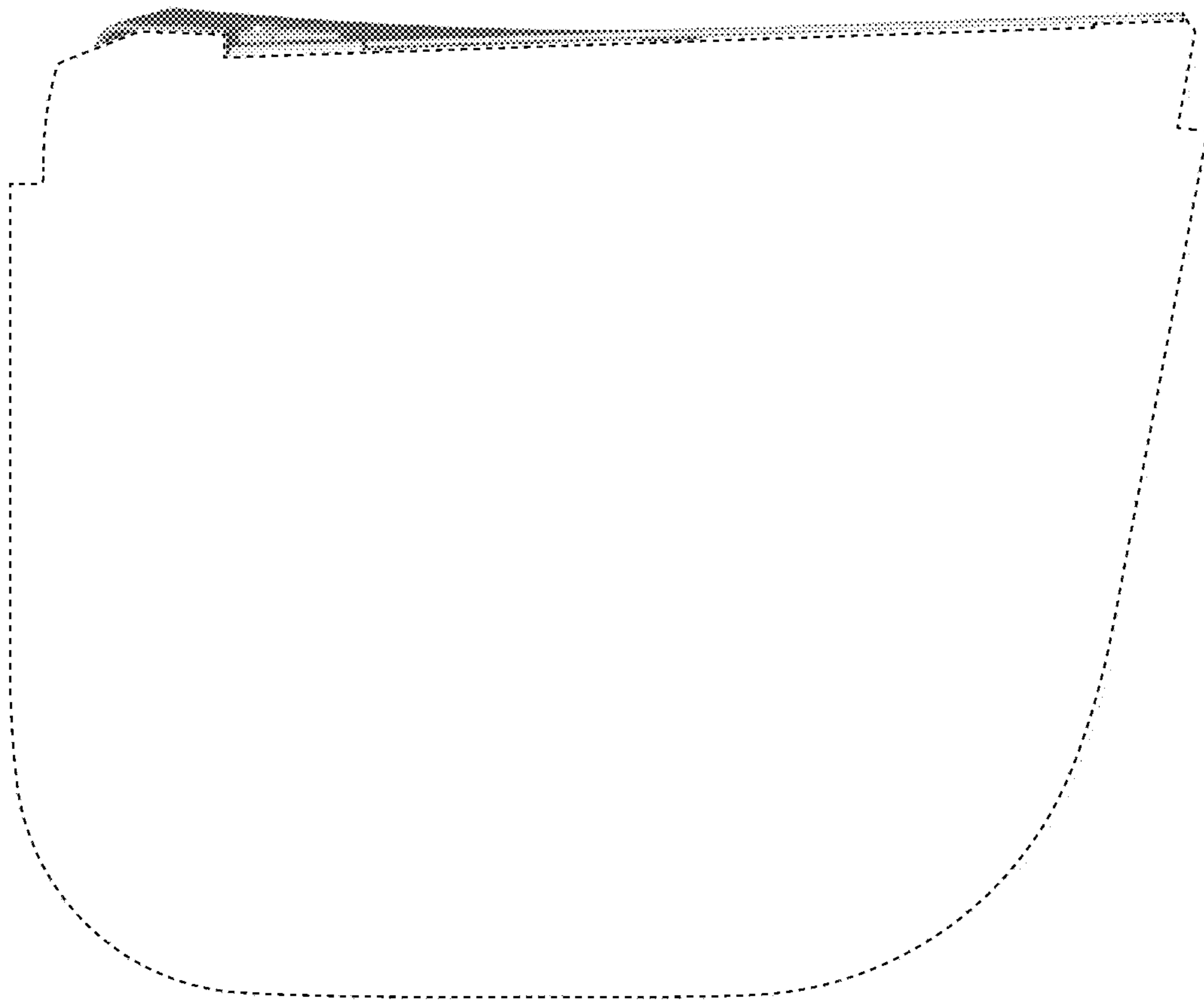


FIG. 7



FIG. 8

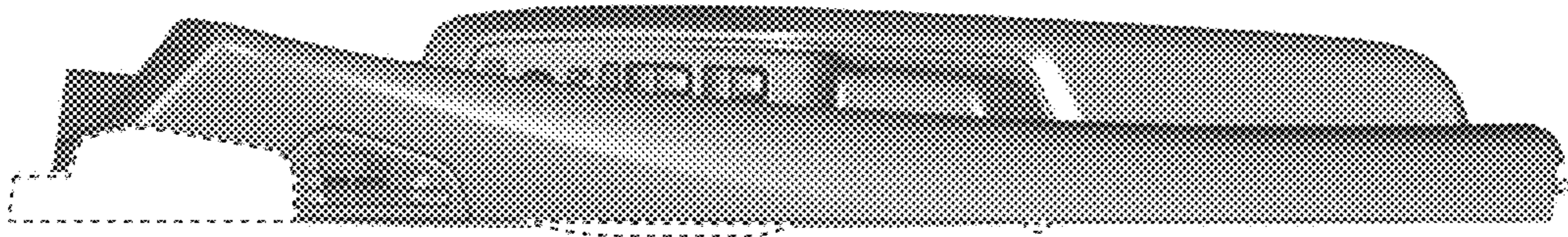


FIG. 9

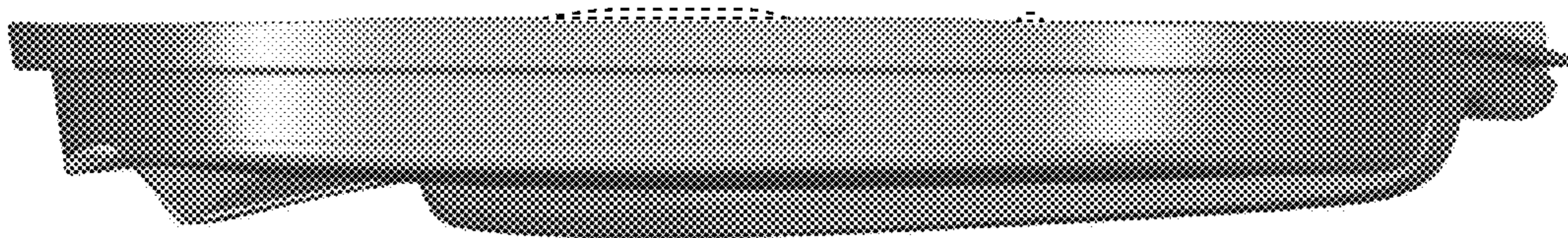


FIG. 10



FIG. 11

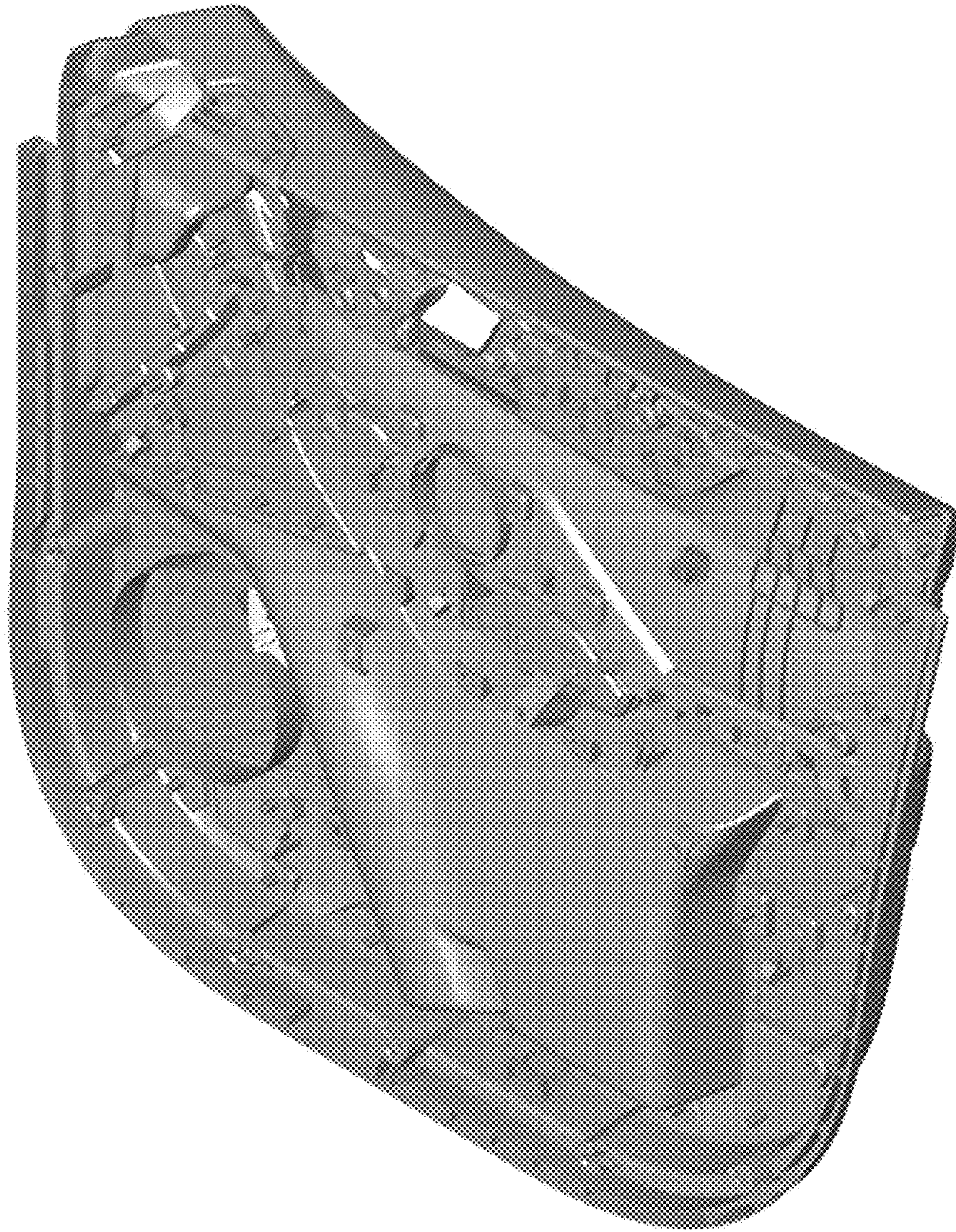


FIG. 12

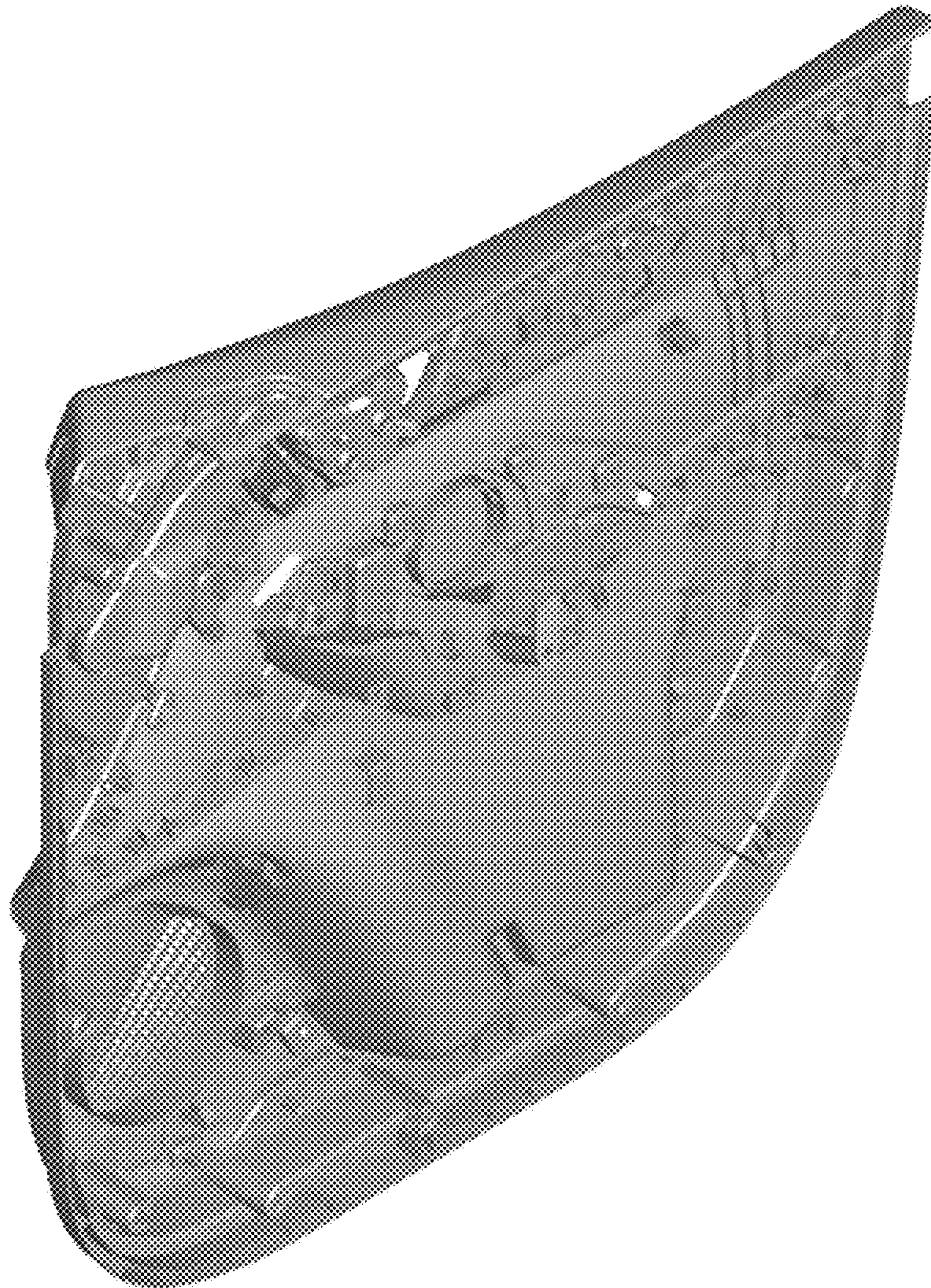


FIG. 13

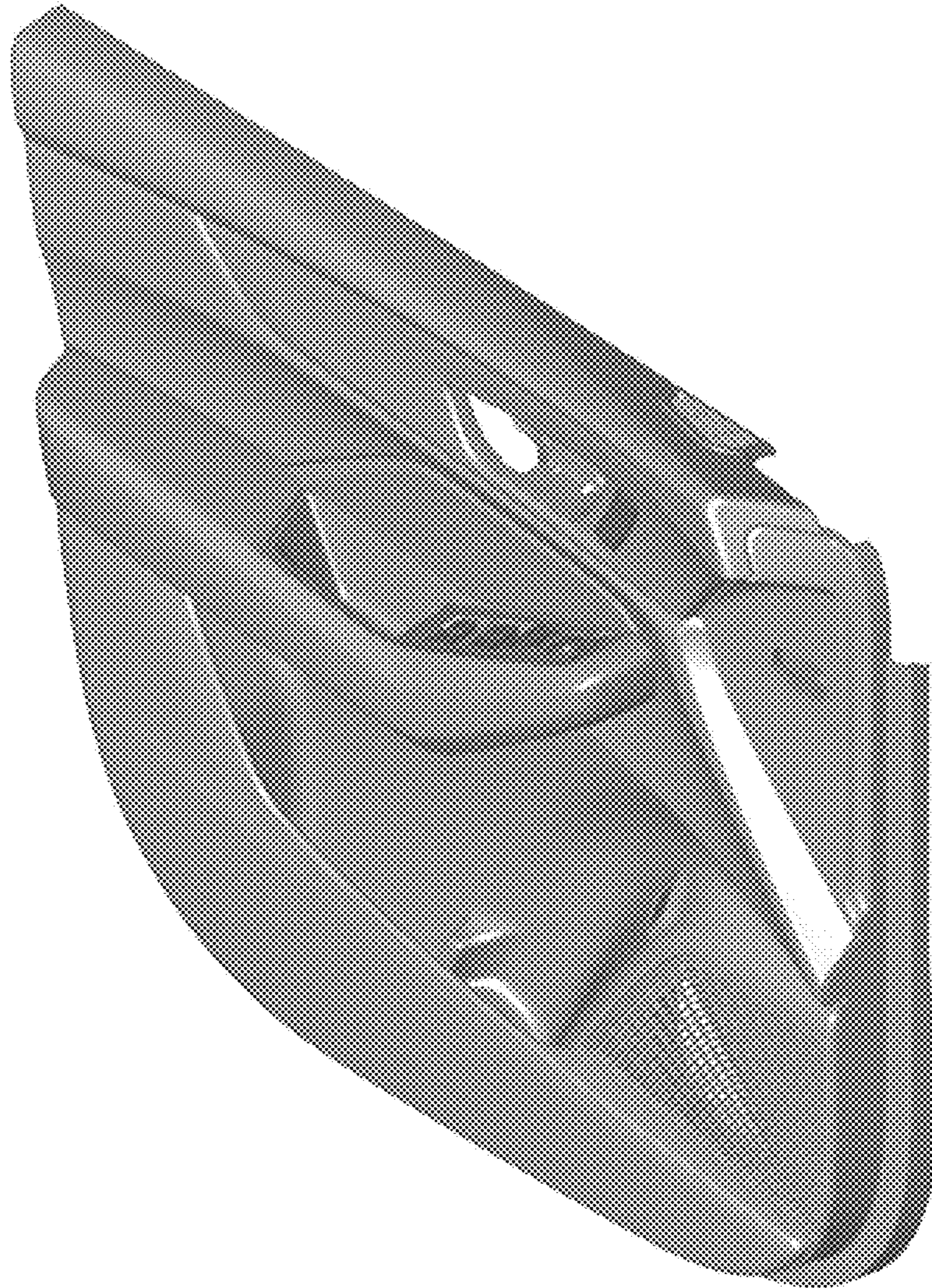


FIG. 14



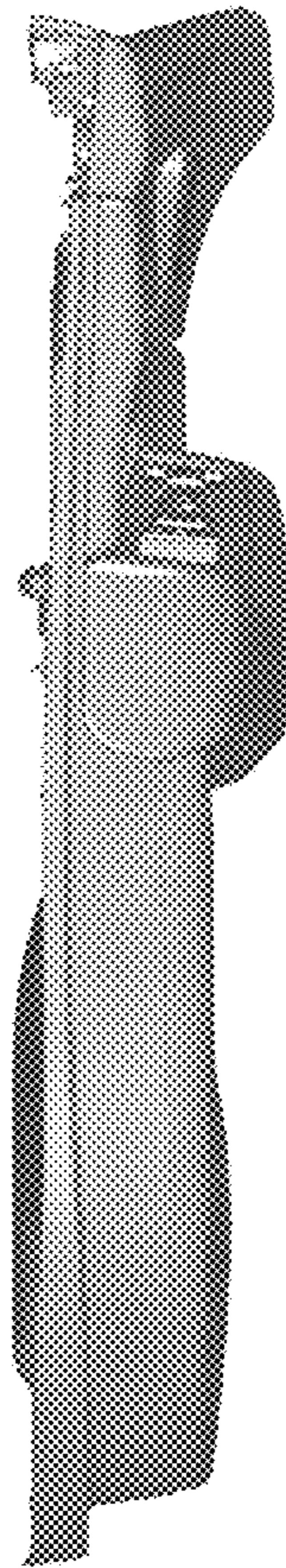


FIG. 15

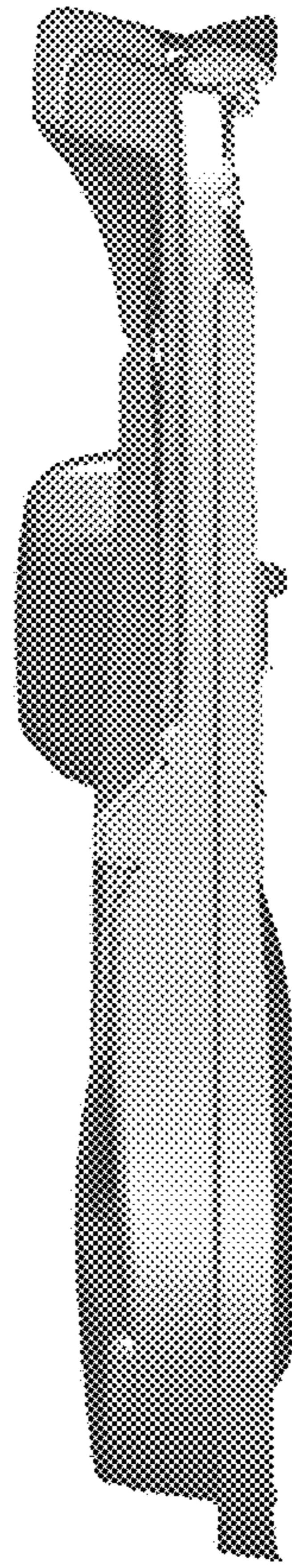


FIG. 16

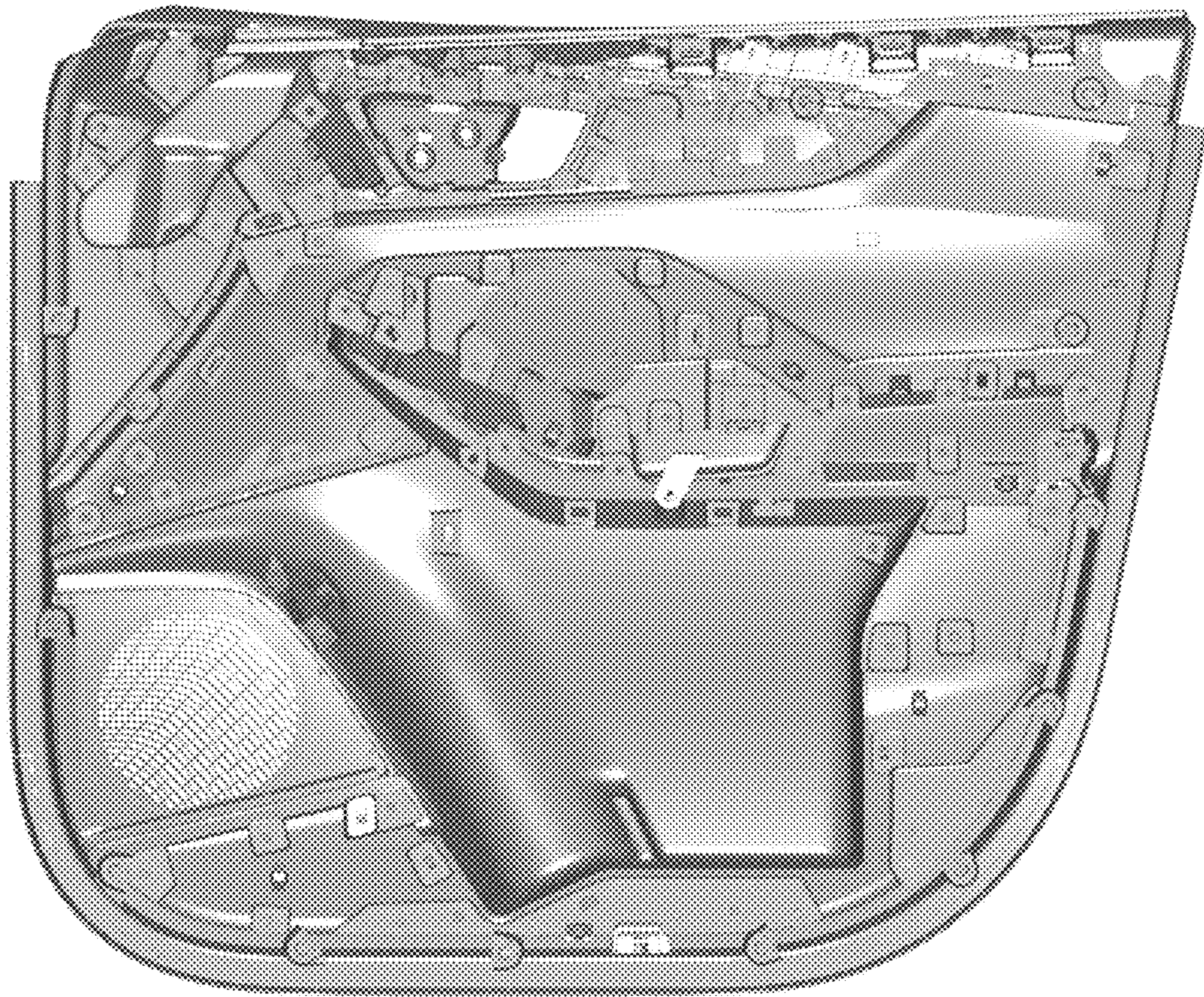


FIG. 17



FIG. 18

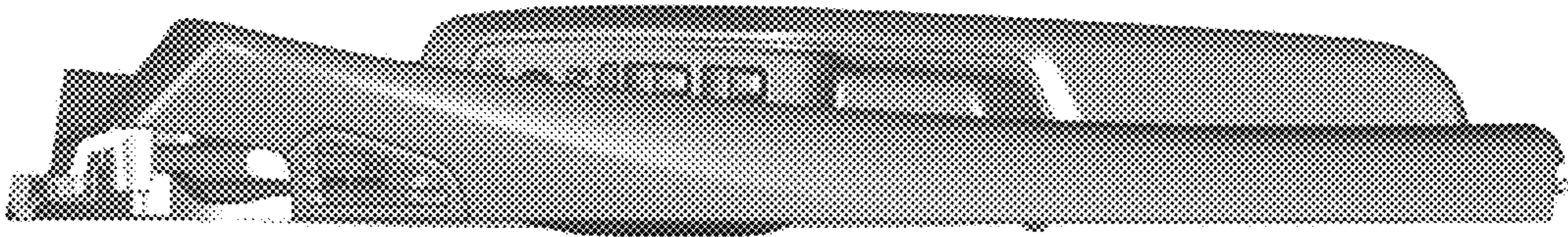


FIG. 19

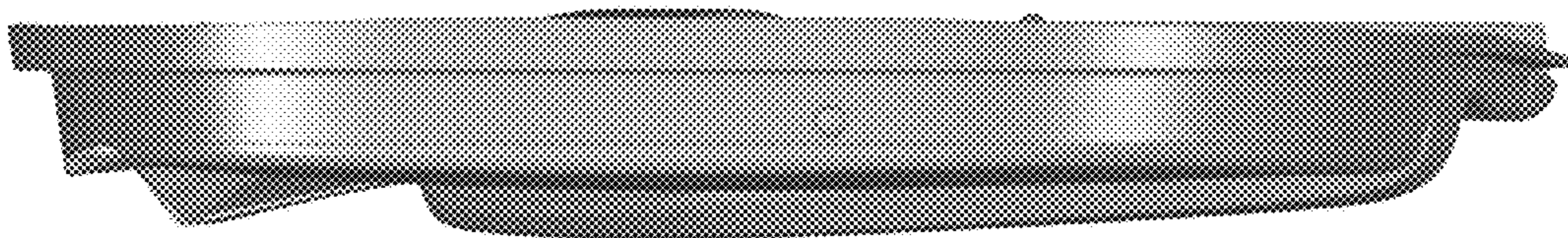


FIG. 20