

US00D900689S

(12) **United States Design Patent**
Romain

(10) **Patent No.:** **US D900,689 S**
(45) **Date of Patent:** **** Nov. 3, 2020**

(54) **HEAD-UP DISPLAY FOR CAR**
(71) Applicant: **LG ELECTRONICS INC.**, Seoul (KR)
(72) Inventor: **Diboine Romain**, Seoul (KR)
(73) Assignee: **LG ELECTRONICS INC.**, Seoul (KR)

(**) Term: **15 Years**

(21) Appl. No.: **35/504,813**

(22) Filed: **Oct. 27, 2017**

(80) **Hague Agreement Data**

Int. Filing Date: **Oct. 27, 2017**
Int. Reg. No.: **DM/098275**
Int. Reg. Date: **Oct. 27, 2017**
Int. Reg. Pub. Date: **Apr. 27, 2018**

(30) **Foreign Application Priority Data**

Oct. 17, 2017 (KR) 30-2017-0048206

(51) **LOC (12) Cl.** **12-16**

(52) **U.S. Cl.**
USPC **D12/192**

(58) **Field of Classification Search**

USPC D12/192, 400, 415, 421, 114; D10/46, D10/98, 102, 103
CPC G02B 27/01; G02B 27/0149; G02B 27/0101; G02B 2027/0187; G02B 2027/0154; G02B 2027/0169; B60R 2011/0005; B60R 2011/0007; B60R 2011/0003; B60R 1/00; B60K 2350/2052; B60K 2350/405; B60K 37/00; B60K 2350/406; B60Y 2400/92

See application file for complete search history.

(56) **References Cited**

U.S. PATENT DOCUMENTS

5,237,455 A * 8/1993 Bordo G02B 27/0101 359/602
5,457,575 A * 10/1995 Groves B60K 35/00 353/13

6,504,518 B1 * 1/2003 Kuwayama G02B 27/01 340/980
D713,777 S * 9/2014 Kanou D12/418
D798,783 S * 10/2017 Li D12/192
9,939,641 B1 * 4/2018 Quiroz de la mora B60K 37/04
2014/0225811 A1 * 8/2014 Killguss G02B 7/1827 345/7
2015/0035725 A1 * 2/2015 Kawaguchi B60K 37/04 345/7
2016/0025973 A1 * 1/2016 Gutttag G02B 27/0101 345/7
2016/0247321 A1 * 8/2016 Wong G06F 3/017
2016/0299343 A1 * 10/2016 Chien G02B 27/0149
2017/0038586 A1 * 2/2017 Henon B60K 35/00

(Continued)

Primary Examiner — George D. Kirschbaum

Assistant Examiner — Ieisha N Price

(74) *Attorney, Agent, or Firm* — Birch, Stewart, Kolasch & Birch, LLP

(57) **CLAIM**

The ornamental design for a head-up display for car, as shown and described.

DESCRIPTION

1. Head-up display for car

1.1 : Perspective

1.2 : Front

1.3 : Back

1.4 : Left

1.5 : Right

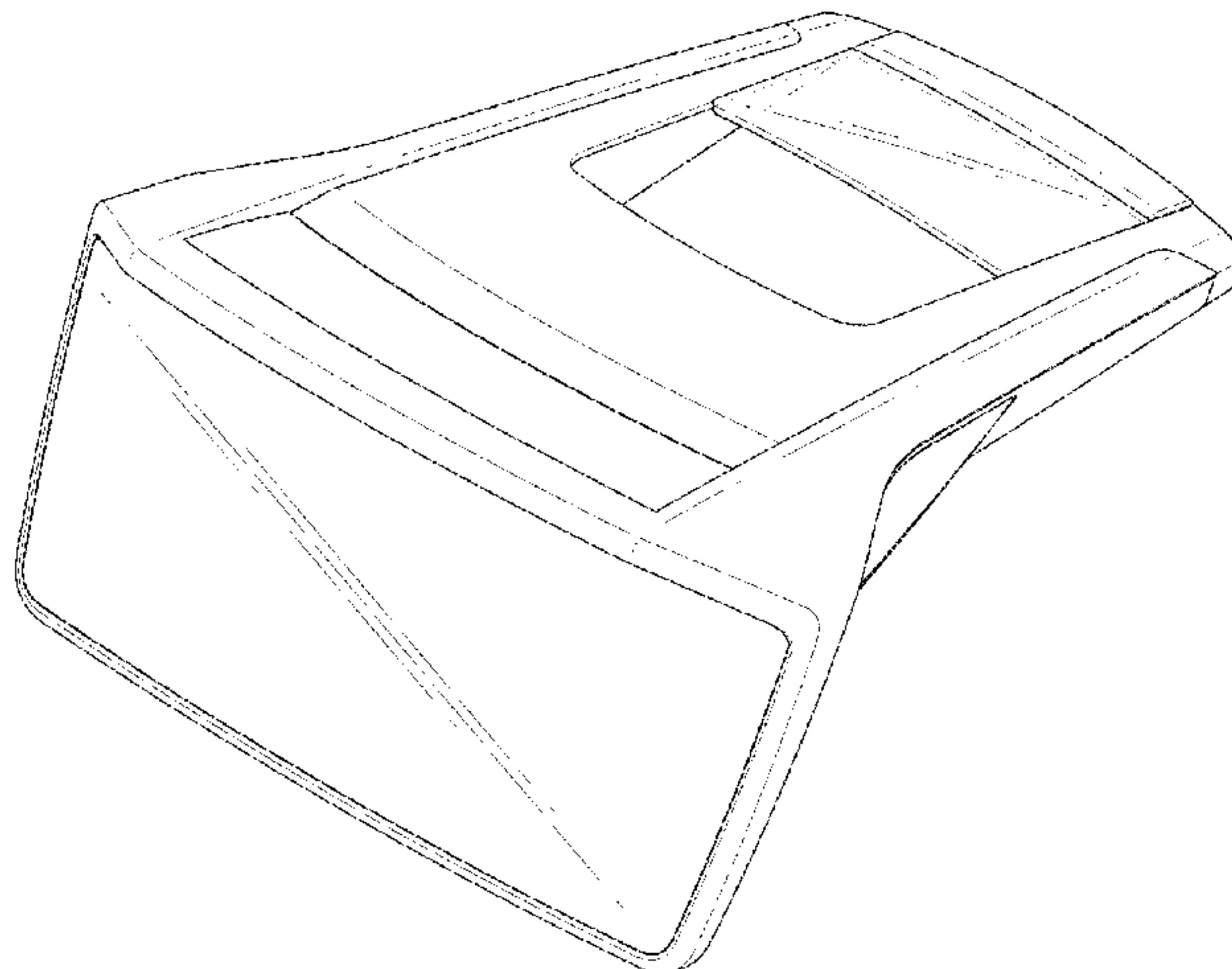
1.6 : Top

1.7 : Bottom

1.8 : Reference

The broken lines in the drawings illustrate portions of the Head-up display for car and form no part of the claimed design.

1 Claim, 6 Drawing Sheets



(56)

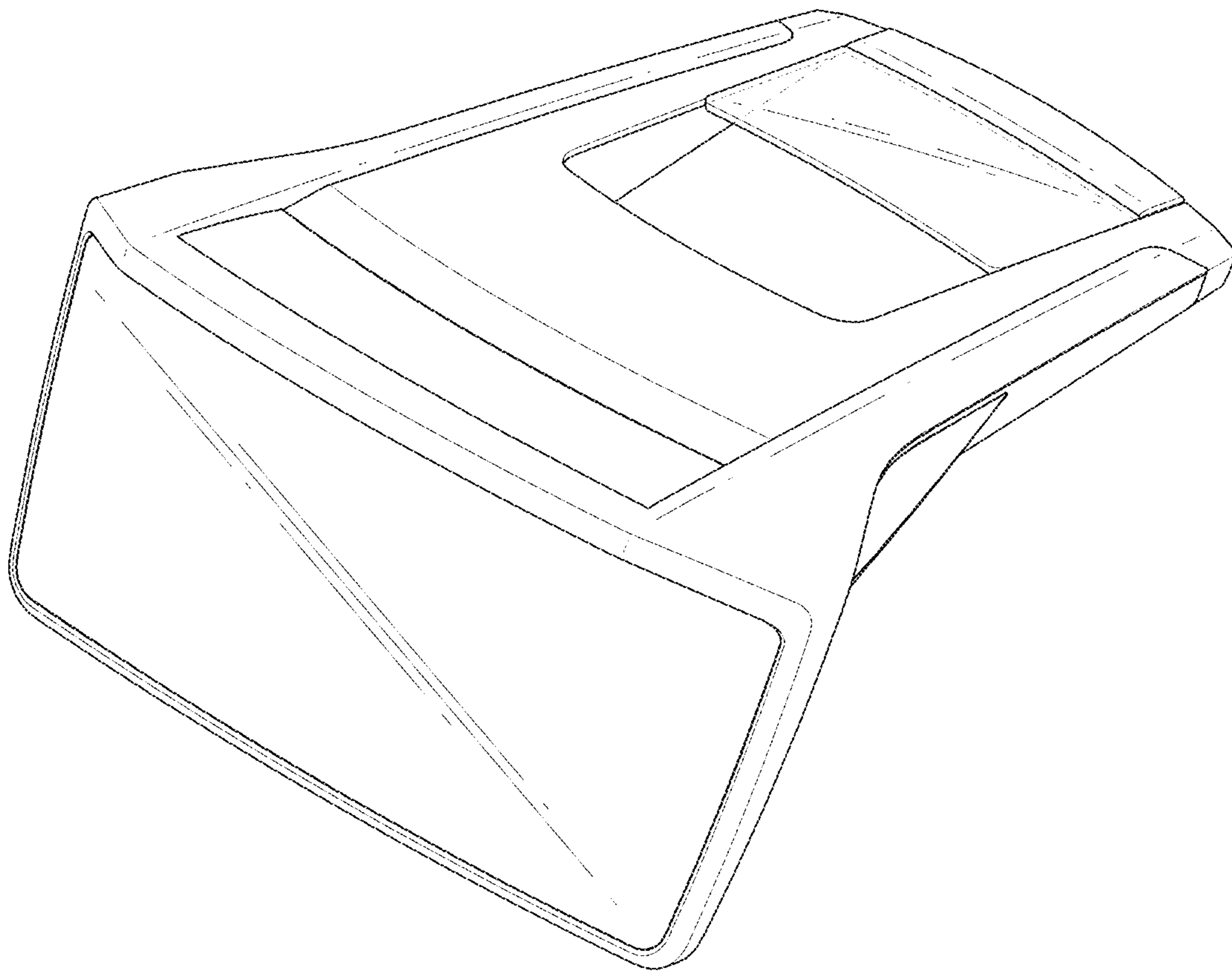
References Cited

U.S. PATENT DOCUMENTS

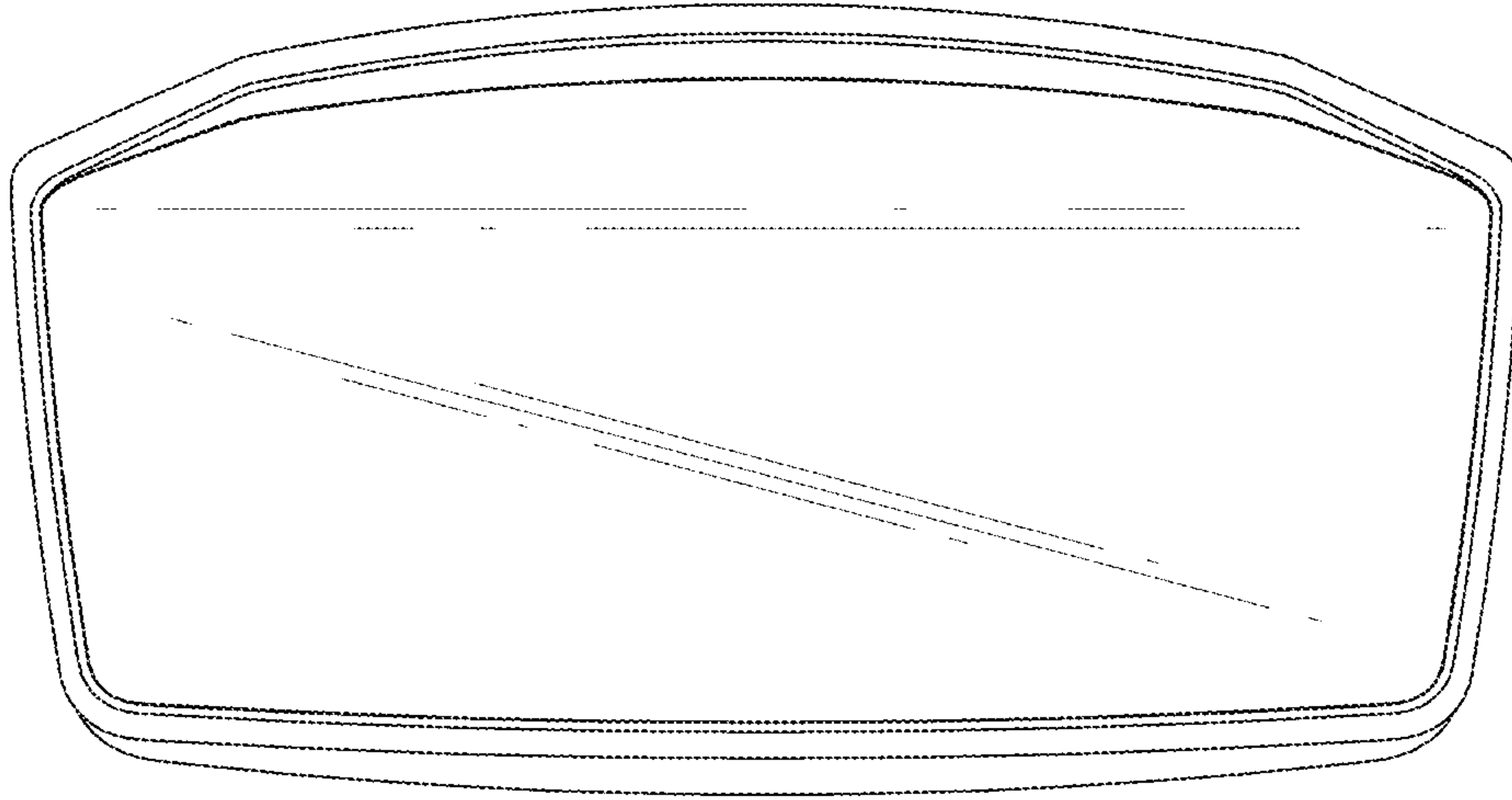
2017/0082857	A1*	3/2017	Schoch	B60K 35/00
2017/0227769	A1*	8/2017	Tatekawa	G02B 27/0149
2018/0088331	A1*	3/2018	Wall	B60K 35/00
2018/0129125	A1*	5/2018	Chen	G03B 21/10
2018/0201204	A1*	7/2018	Saitou	B60K 35/00
2018/0259772	A1*	9/2018	Henon	G02B 27/0101
2018/0348517	A1*	12/2018	Chen	G02B 27/0149

* cited by examiner

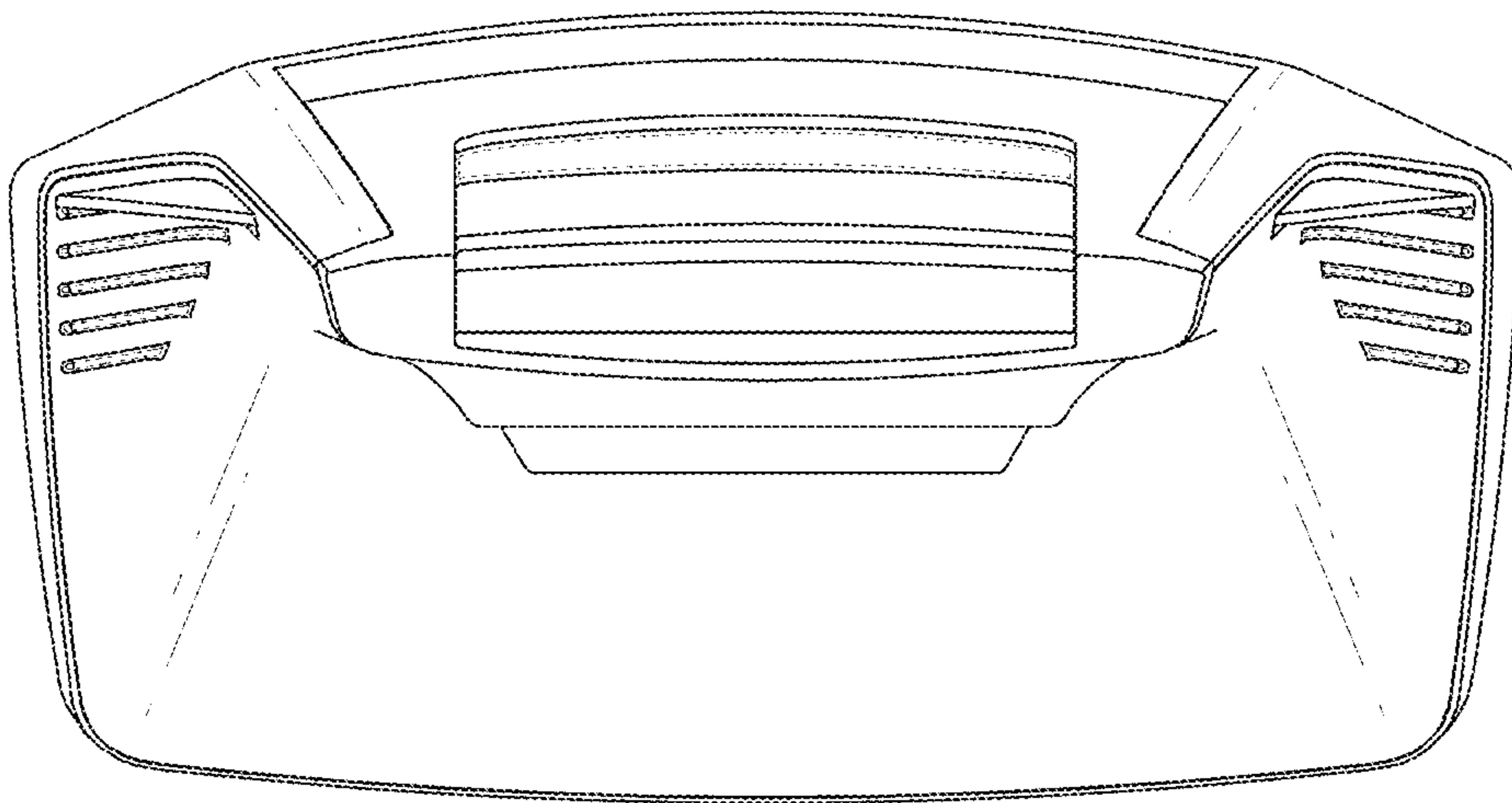
1.1



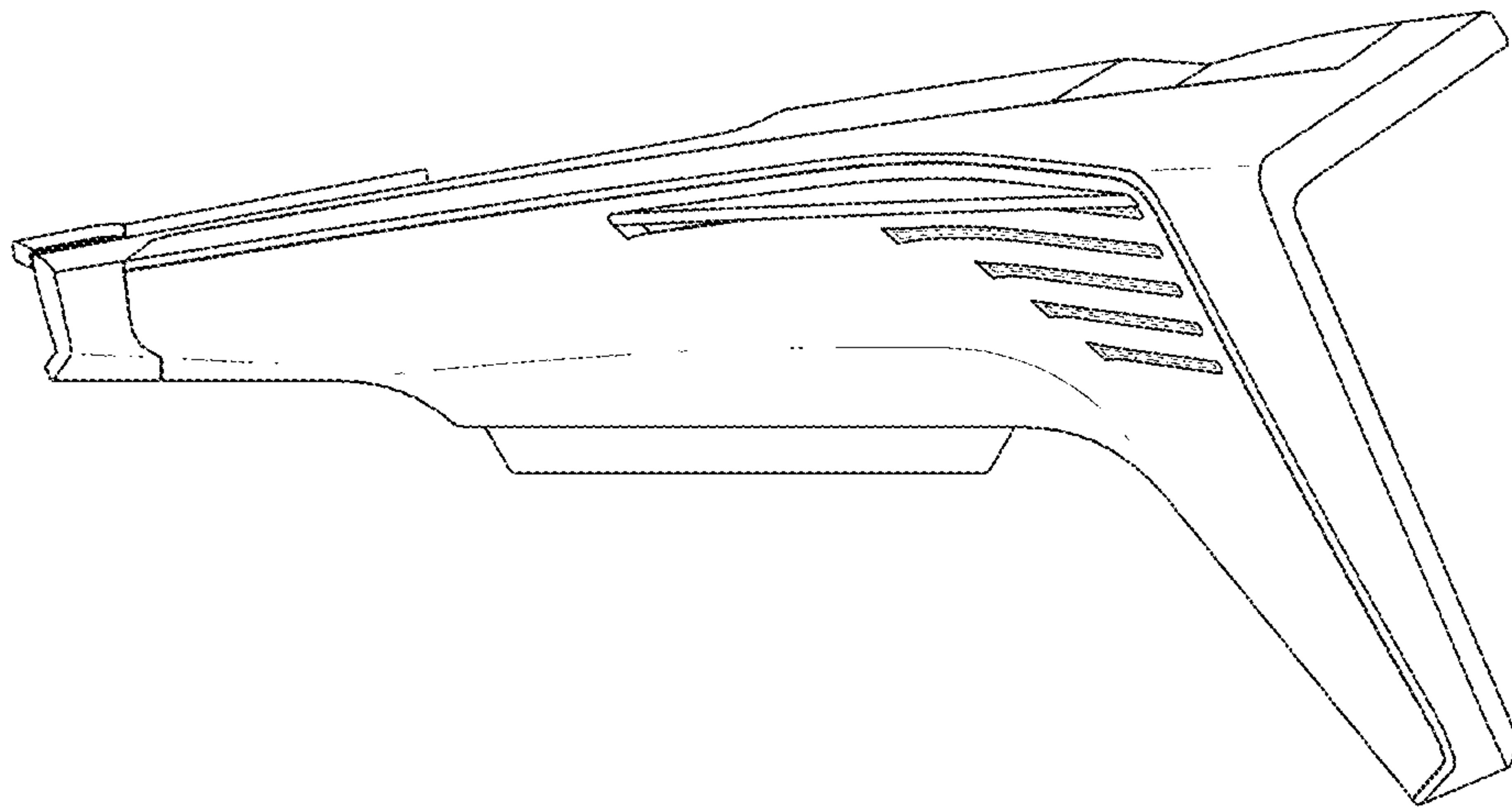
1.2



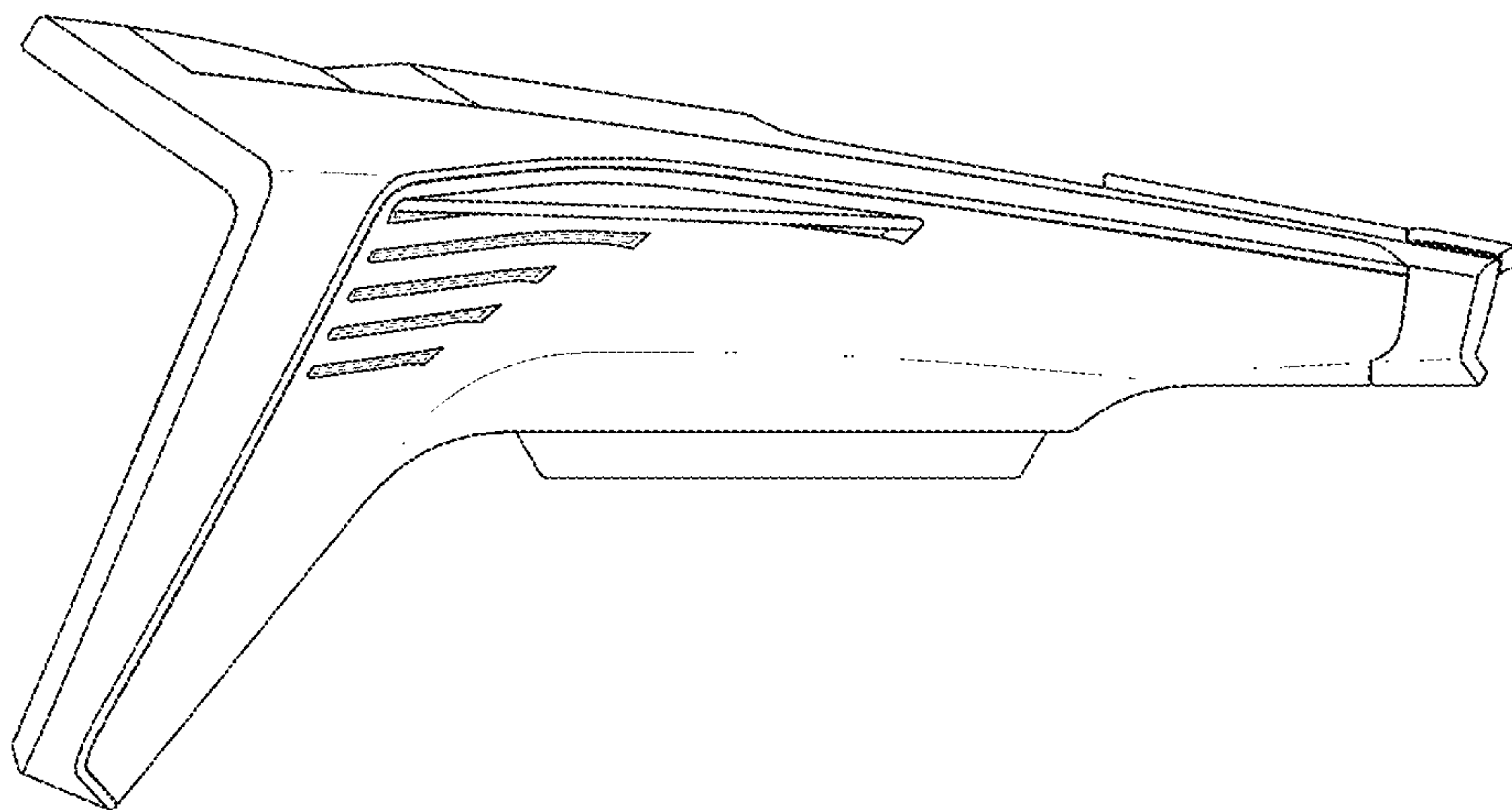
1.3



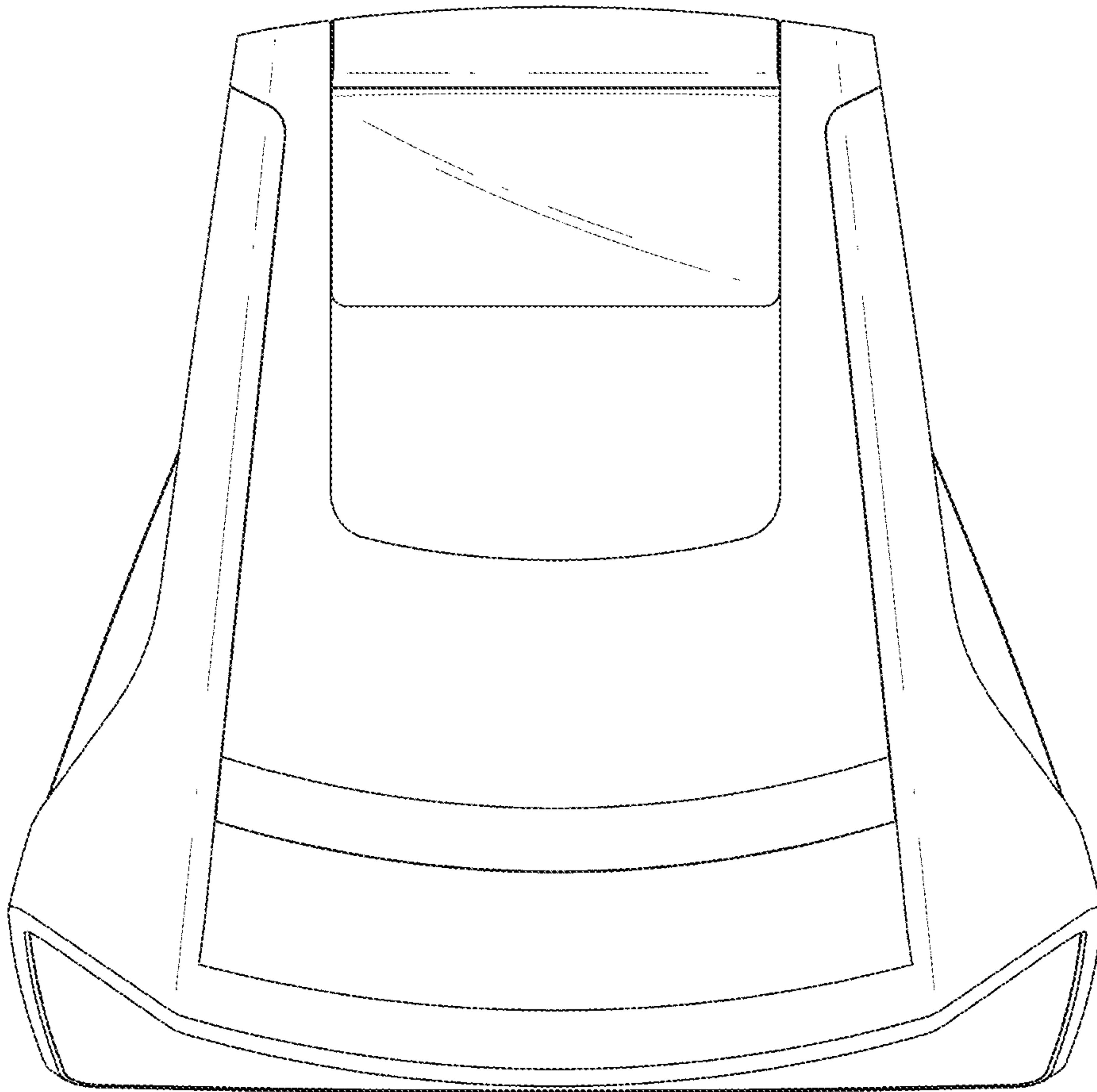
1.4



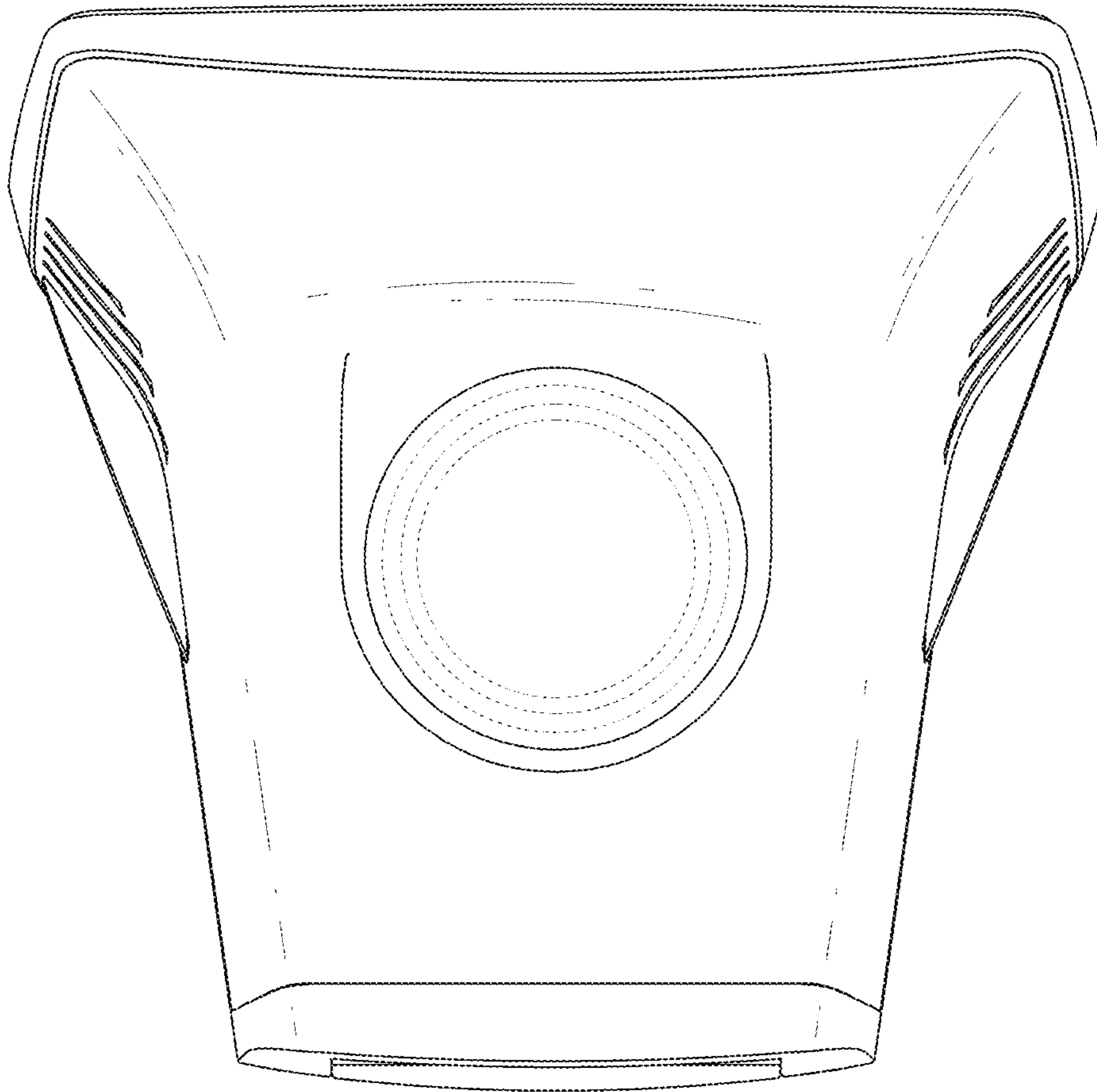
1.5



1.6



1.7



1.8

