



(12) **United States Design Patent** (10) **Patent No.:** **US D900,688 S**
von Holzhausen et al. (45) **Date of Patent:** **** Nov. 3, 2020**

(54) **VEHICLE REAR DIFFUSER**

(71) Applicant: **TESLA, INC.**, Palo Alto, CA (US)

(72) Inventors: **Franz von Holzhausen**, Malibu, CA (US); **Bernard G. Lee**, Aliso Viejo, CA (US)

(73) Assignee: **Tesla, Inc.**, Palo Alto, CA (US)

(**) Term: **15 Years**

(21) Appl. No.: **29/670,418**

(22) Filed: **Nov. 15, 2018**

(51) **LOC (12) Cl.** **12-16**

(52) **U.S. Cl.**
 USPC **D12/181**

(58) **Field of Classification Search**
 USPC D12/190–192, 181, 415, 196, 400, 173,
 D12/126, 169, 203, 414, 286, 171, 110,
 D12/114; 180/90; 280/750, 751, 752,
 280/740, 741, 848; 296/191; 293/113,
 293/102, 117
 CPC . B60R 2013/0293; B60R 21/20; B60R 21/06;
 B60R 13/02; B60R 13/04; B62D 35/007;
 B62D 37/02
 See application file for complete search history.

D859,247 S * 9/2019 DiCanzio D12/181
 D867,241 S * 11/2019 Schmolz D12/181
 D871,984 S * 1/2020 Munsell D12/181
 D875,020 S * 2/2020 Donfrancesco D12/223

* cited by examiner

Primary Examiner — Abraham Bahta

(74) *Attorney, Agent, or Firm* — Knobbe, Martens, Olson & Bear, LLP

(57) **CLAIM**

The ornamental design for a vehicle rear diffuser, as shown and described.

DESCRIPTION

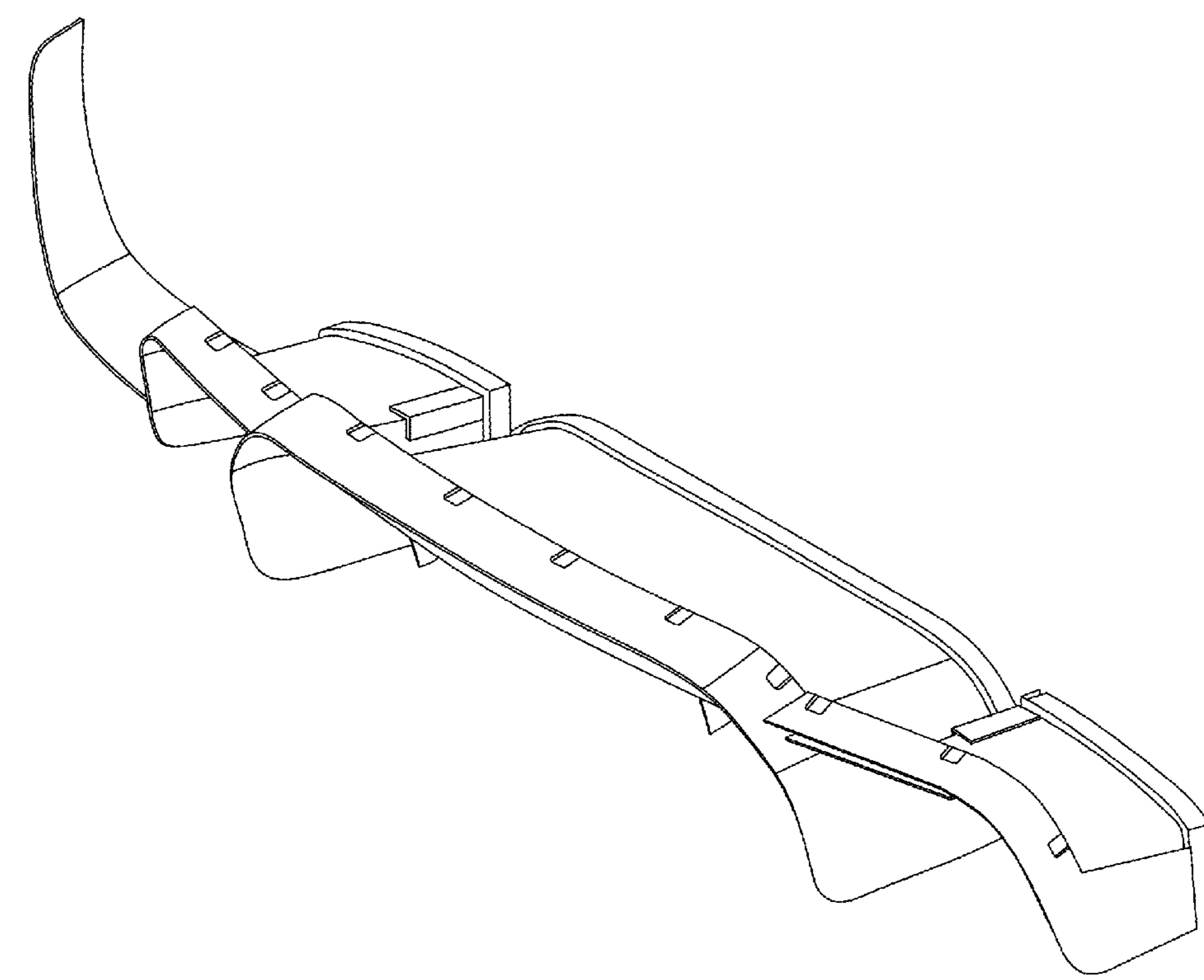
FIG. 1 is a back view of a vehicle rear diffuser.
 FIG. 2 is a bottom view of the vehicle rear diffuser of FIG. 1.
 FIG. 3 is a front view of the vehicle rear diffuser of FIG. 1.
 FIG. 4 is an isometric view of the vehicle rear diffuser of FIG. 1.
 FIG. 5 is a left-side view of the vehicle rear diffuser of FIG. 1.
 FIG. 6 is a right-side view of the vehicle rear diffuser of FIG. 1; and,
 FIG. 7 is a top view of the vehicle rear diffuser of FIG. 1.

1 Claim, 7 Drawing Sheets

(56) **References Cited**

U.S. PATENT DOCUMENTS

D716,205 S * 10/2014 Callum D12/181
 D833,931 S * 11/2018 Lu D12/181



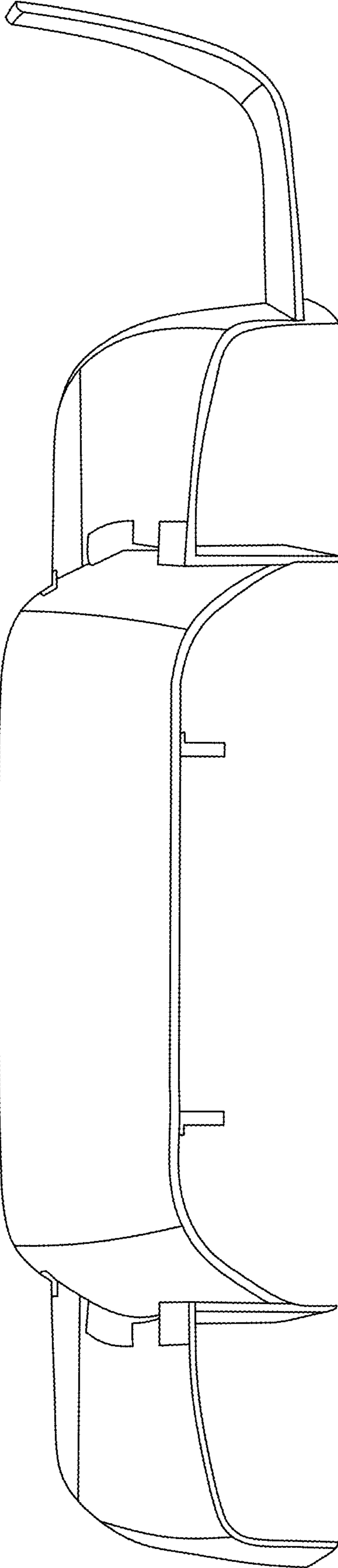


FIG. 1

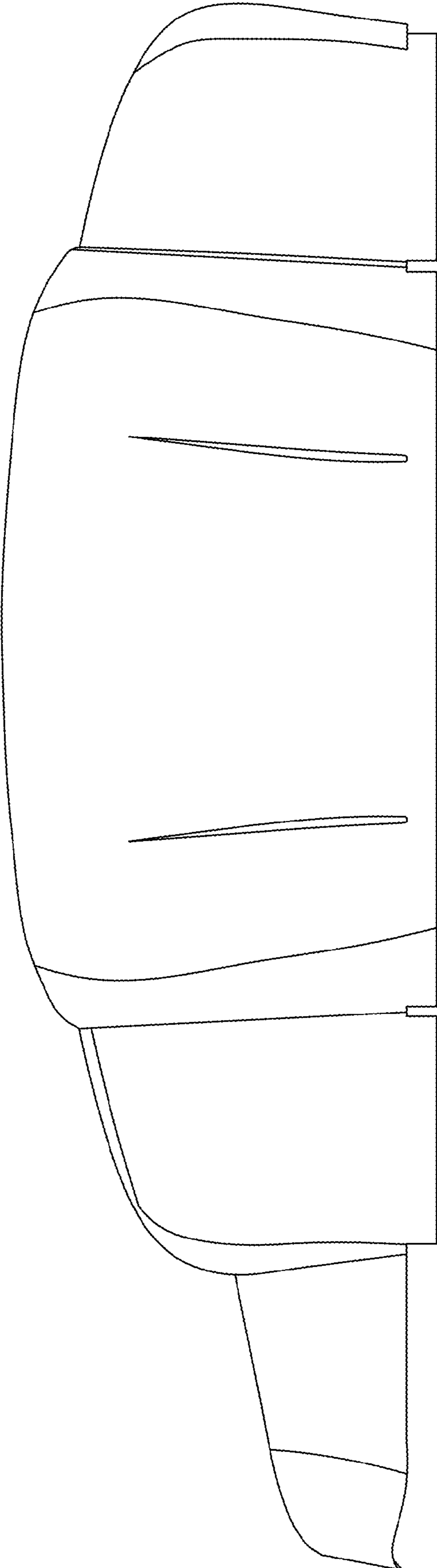


FIG. 2

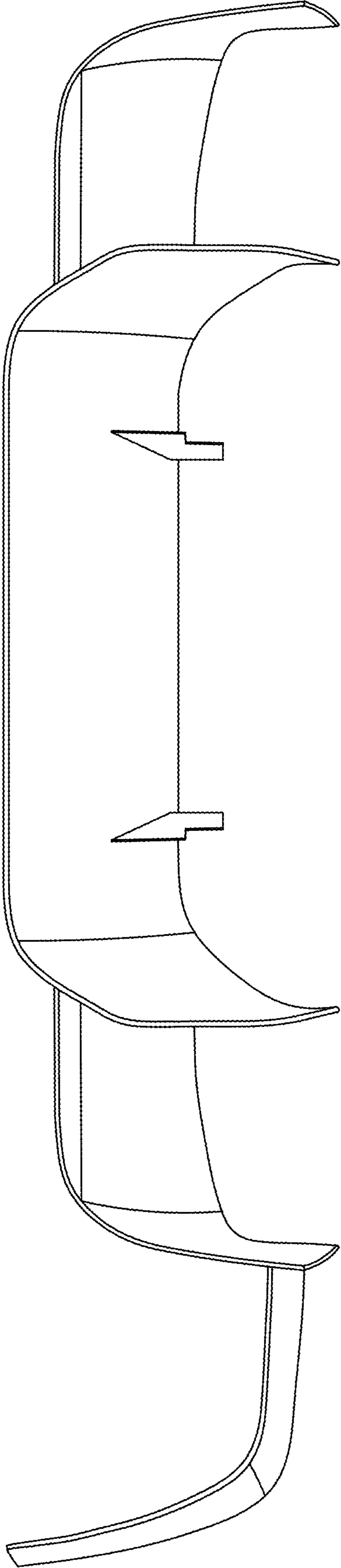


FIG. 3

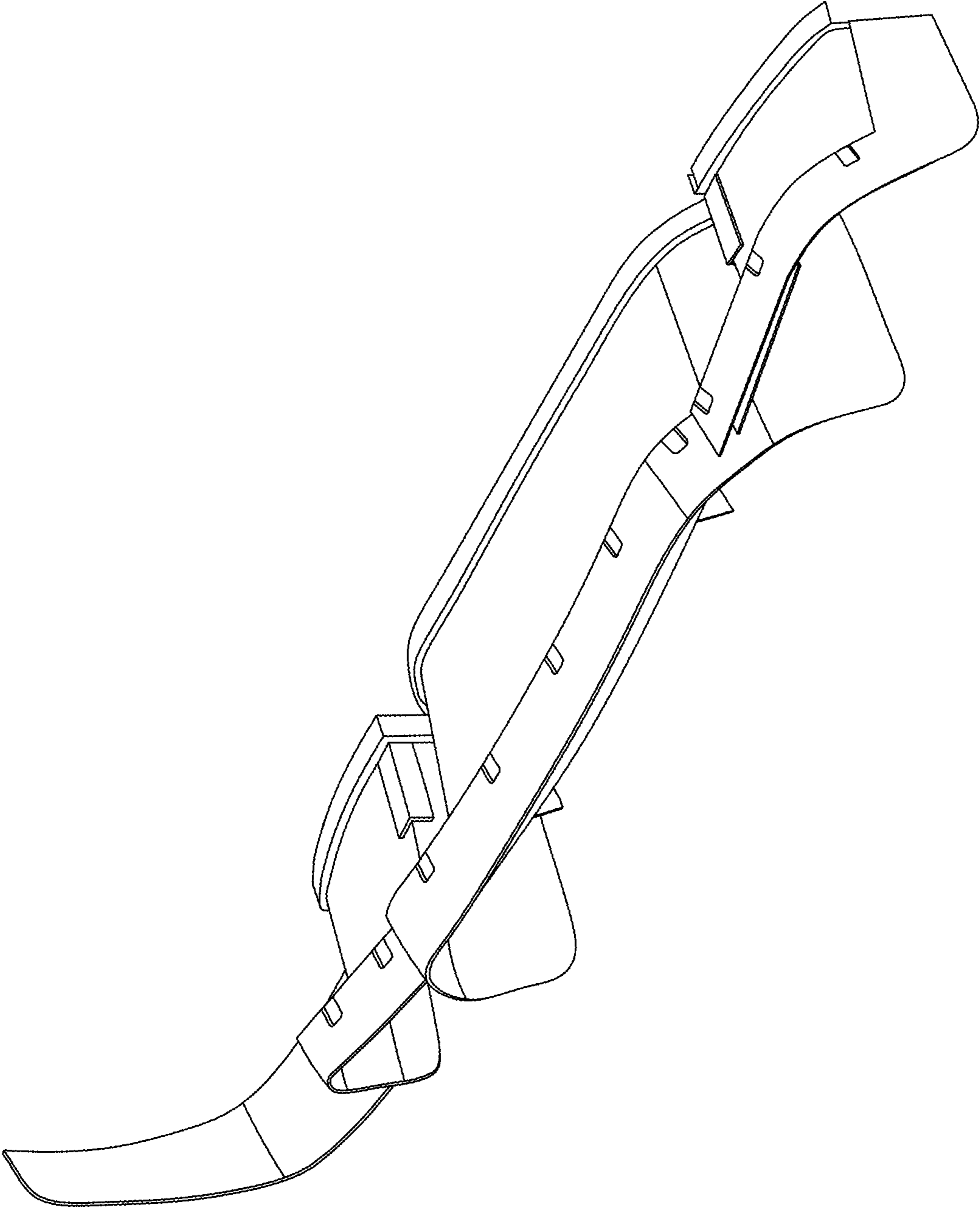


FIG. 4

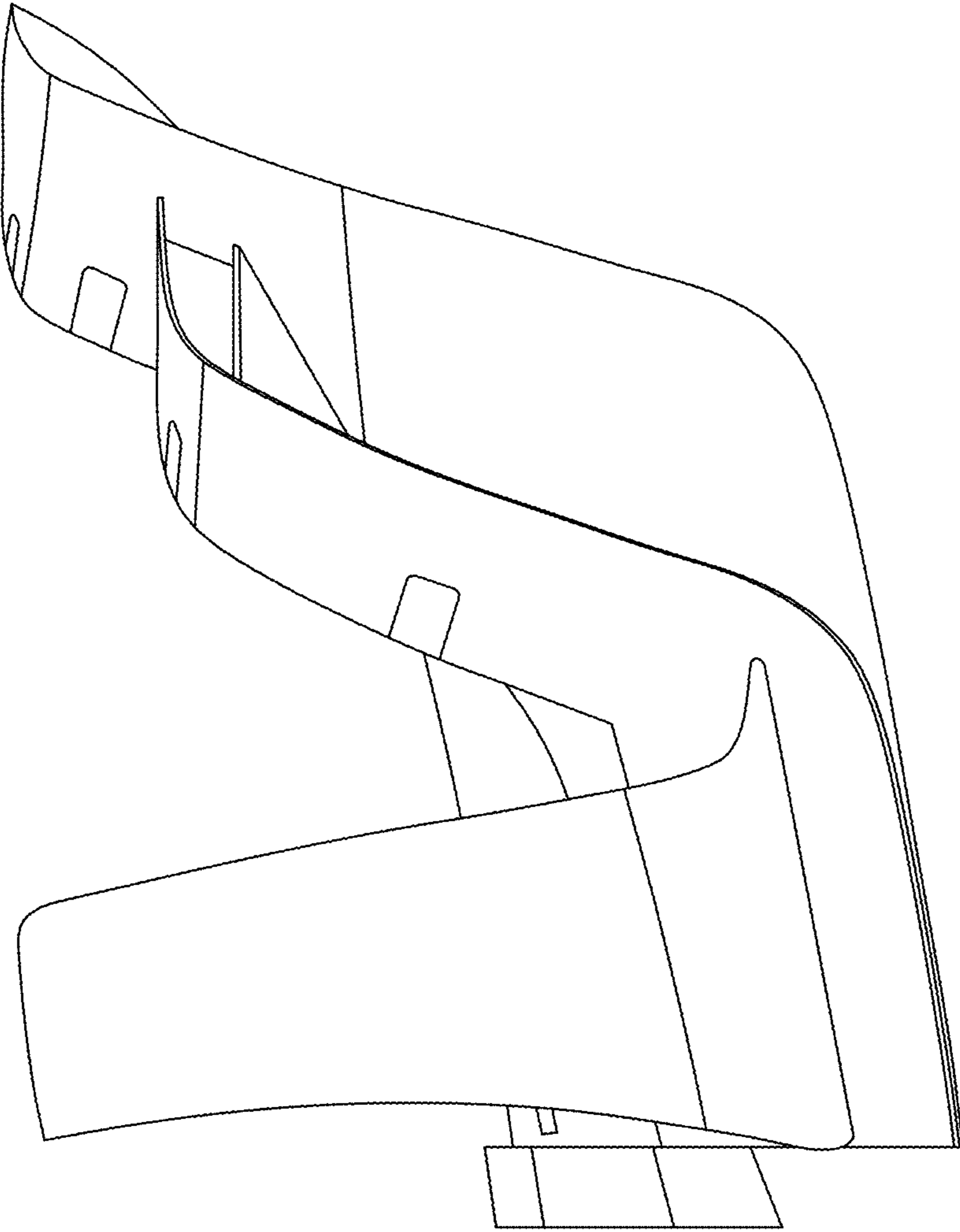


FIG. 5

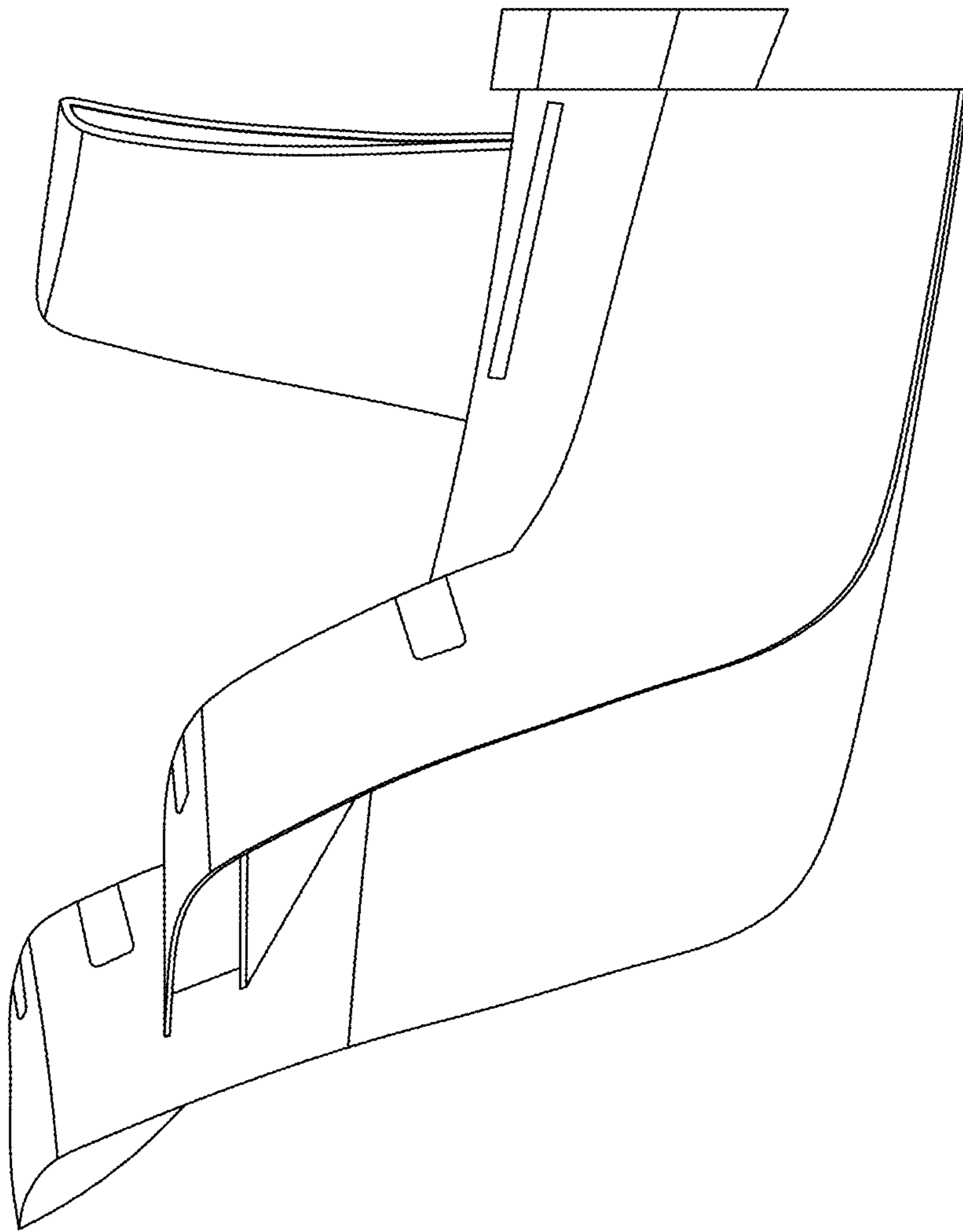


FIG. 6

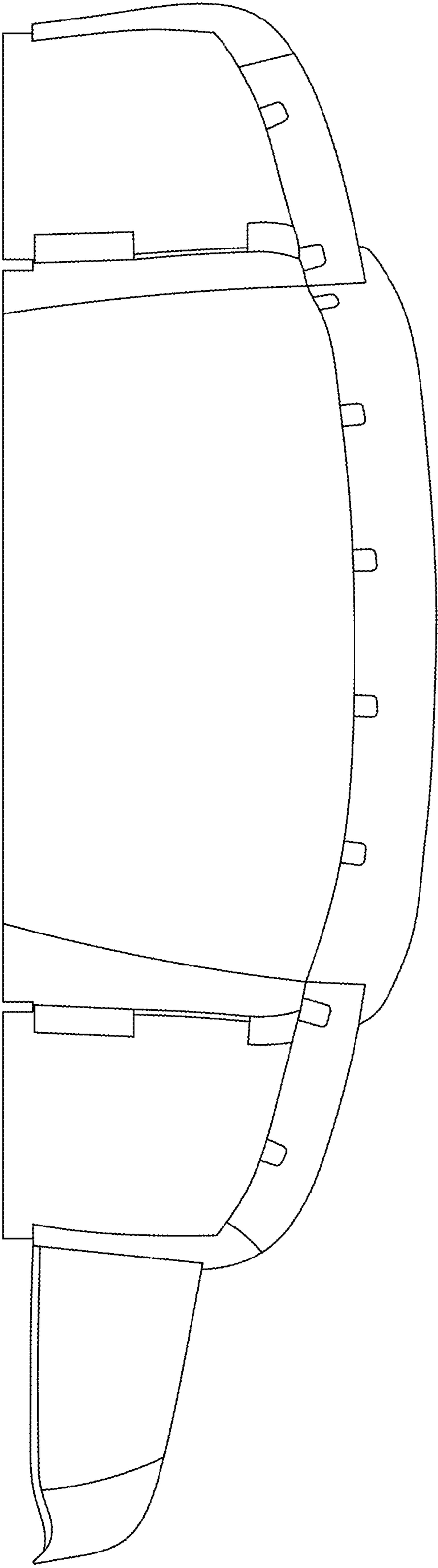


FIG. 7