



US00D900682S

(12) **United States Design Patent** (10) **Patent No.:** **US D900,682 S**
Briggs (45) **Date of Patent:** **** Nov. 3, 2020**

(54) **STROLLER ATTACHMENT**
(71) Applicant: **Thomas Briggs**, Brookfield, WI (US)
(72) Inventor: **Thomas Briggs**, Brookfield, WI (US)
(**) Term: **15 Years**
(21) Appl. No.: **29/669,247**
(22) Filed: **Nov. 7, 2018**
(51) **LOC (12) Cl.** **12-12**
(52) **U.S. Cl.**
USPC **D12/133**
(58) **Field of Classification Search**
USPC D12/128-133
CPC B62B 7/00-04; B62B 9/00-28
See application file for complete search history.

(56) **References Cited**
U.S. PATENT DOCUMENTS
3,834,726 A 9/1974 Hobza
4,768,776 A * 9/1988 Giannotti A63B 22/0076
482/73
4,828,282 A * 5/1989 Pinto A01D 34/001
280/32.7
6,422,634 B2 7/2002 Lundh
6,540,238 B2 4/2003 Yang
6,805,368 B1 * 10/2004 Chen B62K 3/002
280/87.041
6,827,356 B2 12/2004 Zhuang
7,581,737 B2 9/2009 Cousin
8,029,007 B2 10/2011 Jones et al.
8,500,139 B1 8/2013 Andrews et al.
8,714,582 B2 5/2014 Hei et al.
D769,776 S * 10/2016 Barenbrug D12/133
9,776,069 B2 10/2017 McKay
D887,312 S * 6/2020 Tvedt D12/133
2001/0004785 A1 * 6/2001 Lundh B62B 9/28
16/43

2001/0033069 A1 10/2001 Ivers
2012/0217720 A1 * 8/2012 Lai B62B 9/28
280/204
2015/0197264 A1 7/2015 Fields

* cited by examiner

Primary Examiner — Charles D Hanson

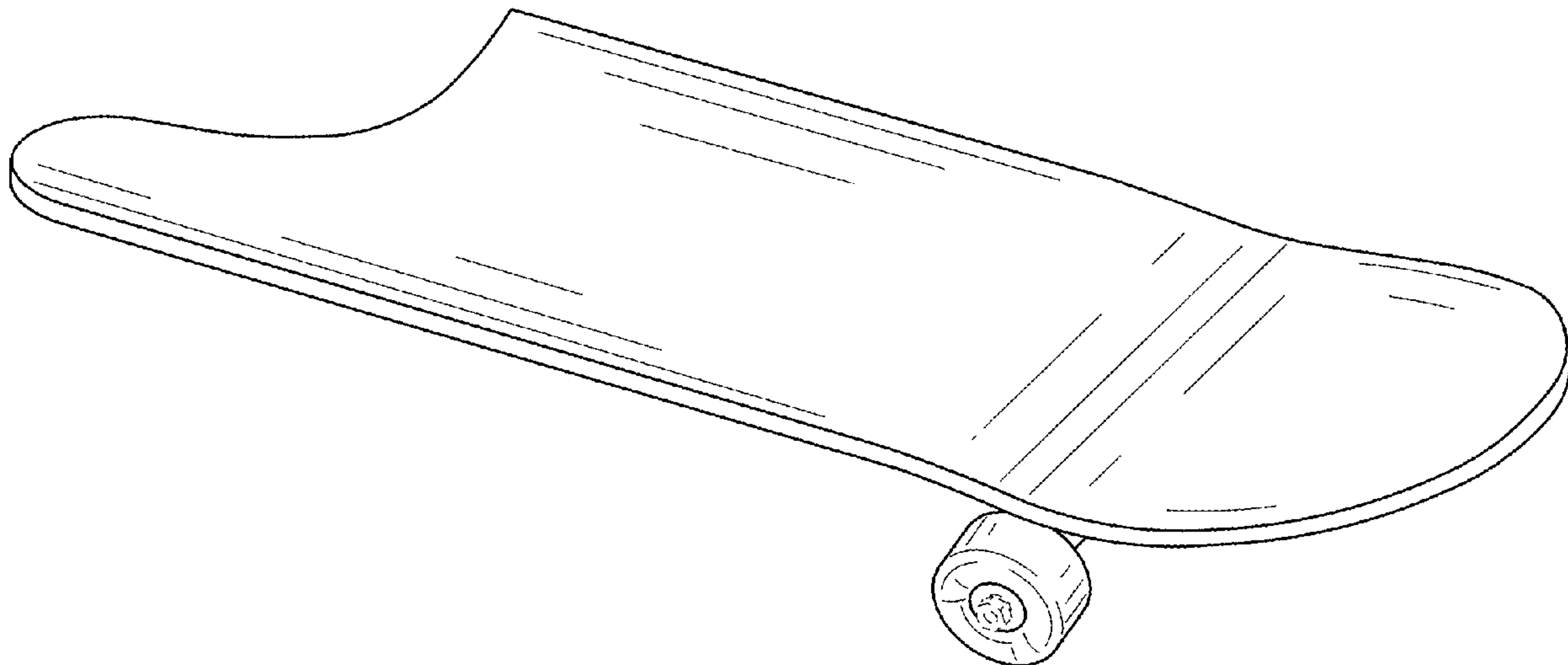
(57) **CLAIM**

The ornamental design for a stroller attachment, as shown and described.

DESCRIPTION

FIG. 1 is a front perspective view showing the stroller attachment embodying the new design;
FIG. 2 is a rear perspective view showing the stroller attachment embodying the new design;
FIG. 3 is a top plan view thereof;
FIG. 4 is a bottom plan view thereof;
FIG. 5 is a right side elevation view thereof;
FIG. 6 is a left side elevation view thereof;
FIG. 7 is a front elevation view thereof;
FIG. 8 is a rear elevation view thereof;
FIG. 9 is a front perspective view showing a variation of the stroller attachment design;
FIG. 10 is a front perspective view showing a variation of the stroller attachment design;
FIG. 11 is a rear perspective view thereof;
FIG. 12 is a top plan view thereof;
FIG. 13 is a bottom plan view thereof;
FIG. 14 is a right side elevation view thereof;
FIG. 15 is a left side elevation view thereof;
FIG. 16 is a front elevation view thereof;
FIG. 17 is a rear elevation view thereof; and,
FIG. 18 is a front perspective view showing a variation of the stroller attachment design.
The broken lines in the drawing views are included for the purpose of illustrating unclaimed environment only, and forms no part of the claimed design.

1 Claim, 12 Drawing Sheets



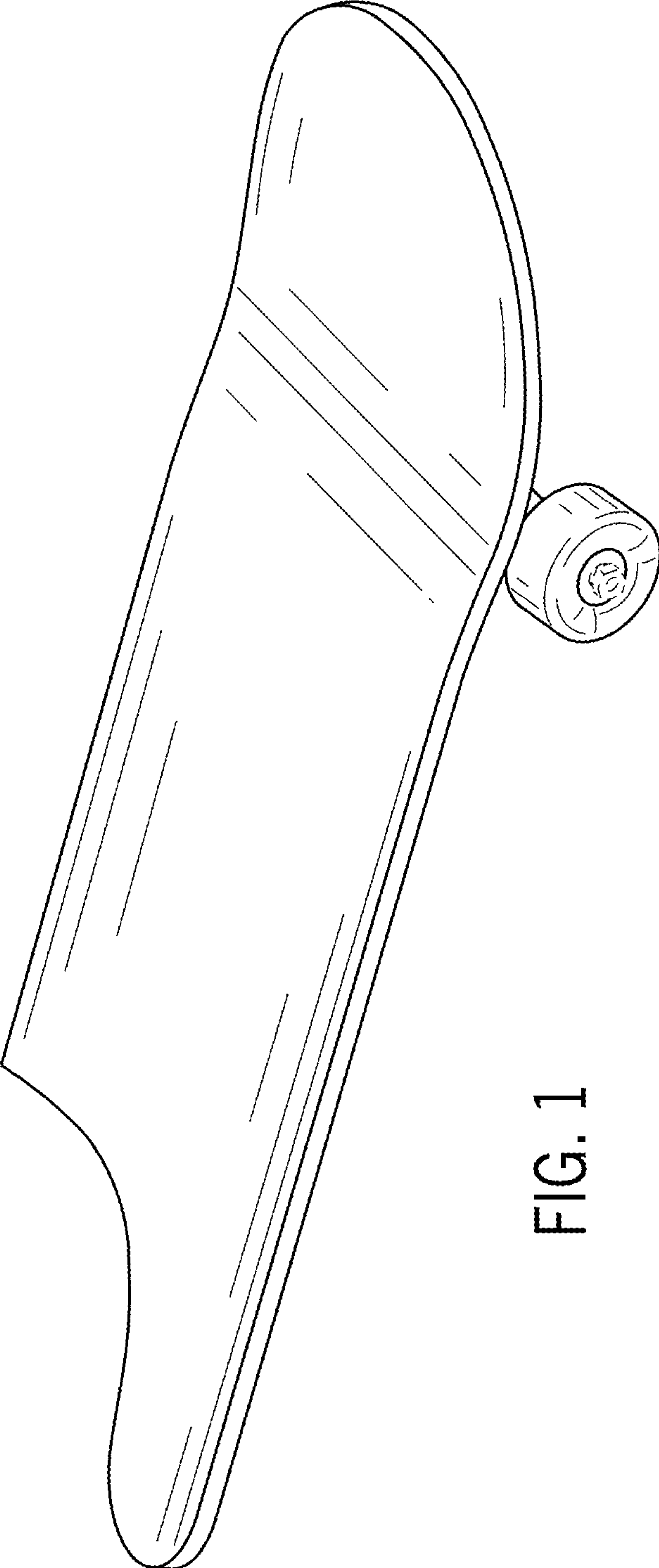


FIG. 1

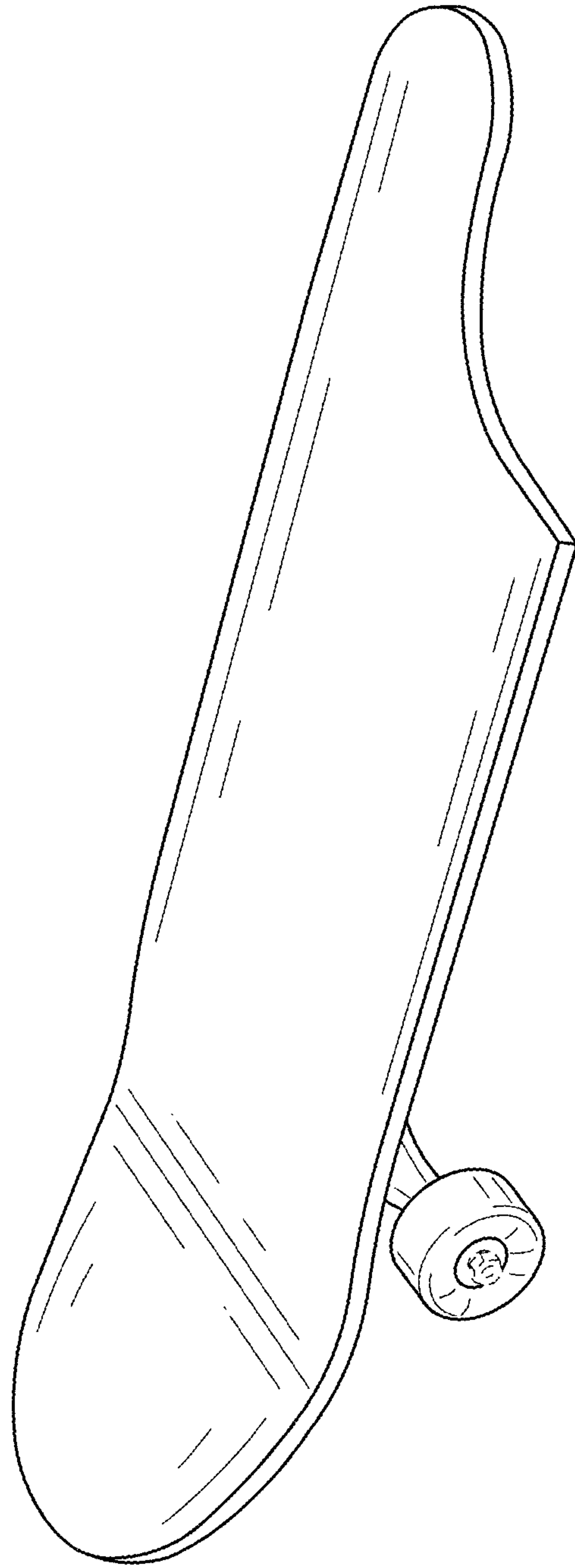


FIG. 2

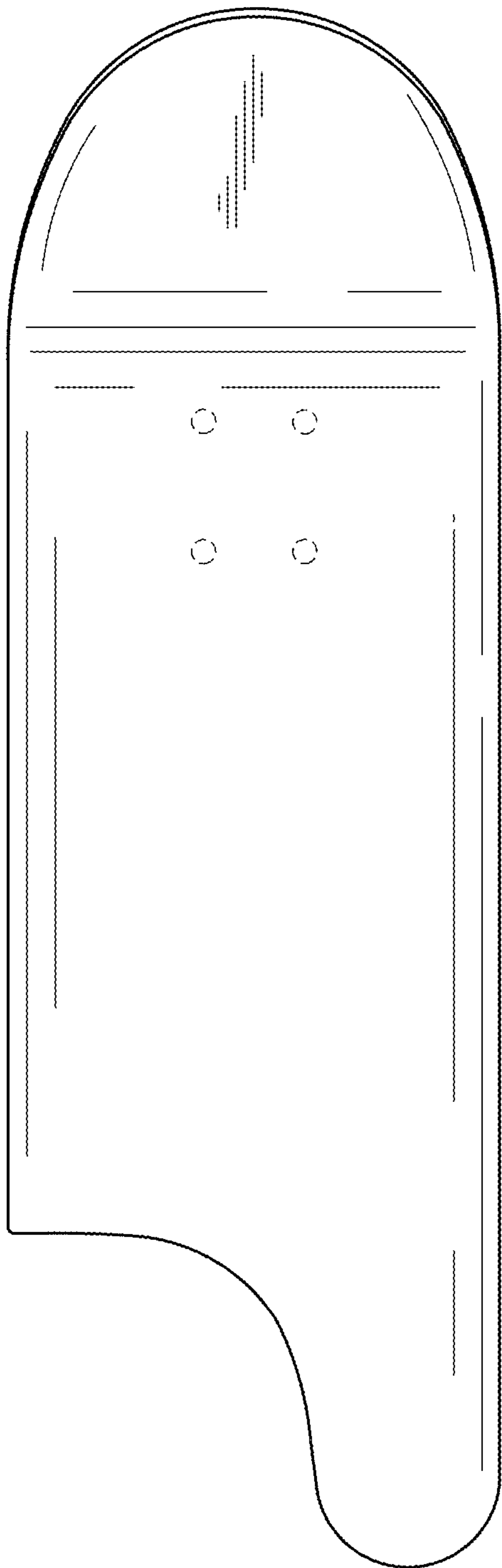


FIG. 3

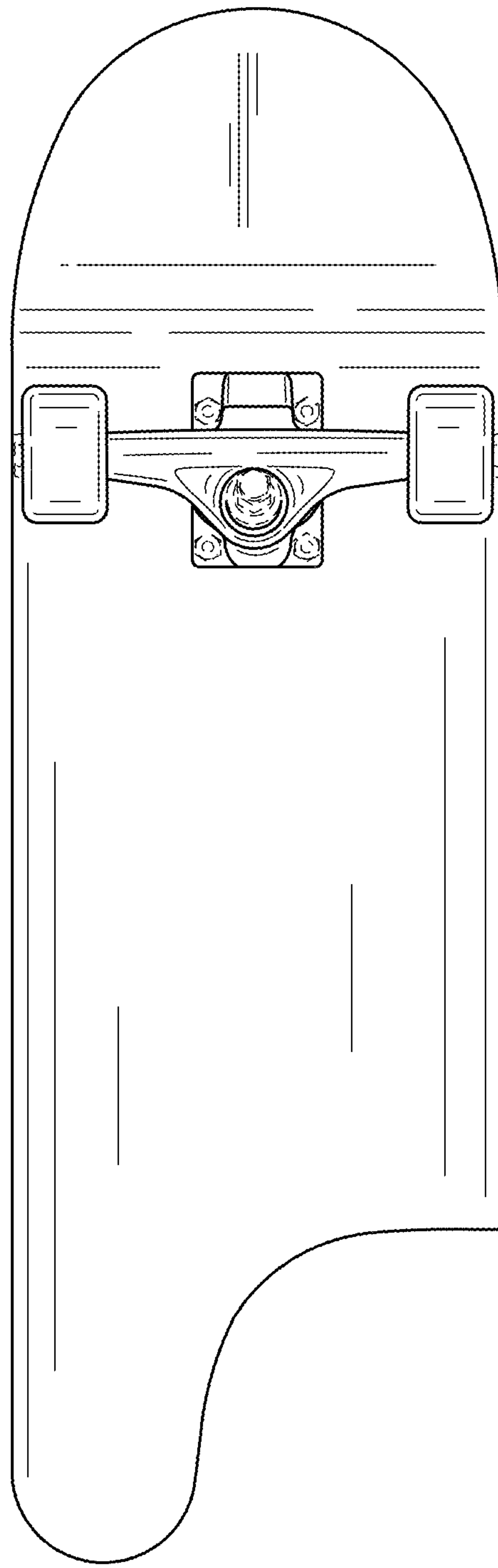


FIG. 4

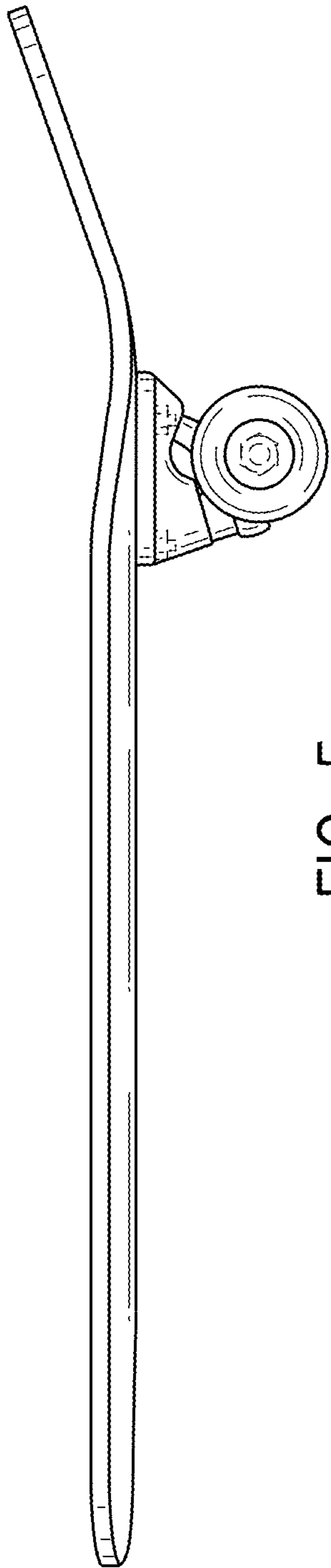


FIG. 5

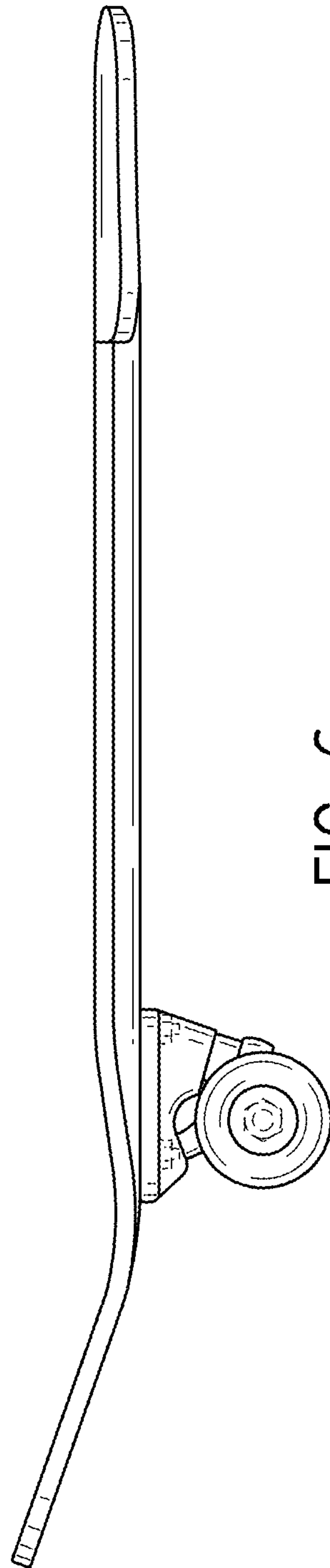


FIG. 6

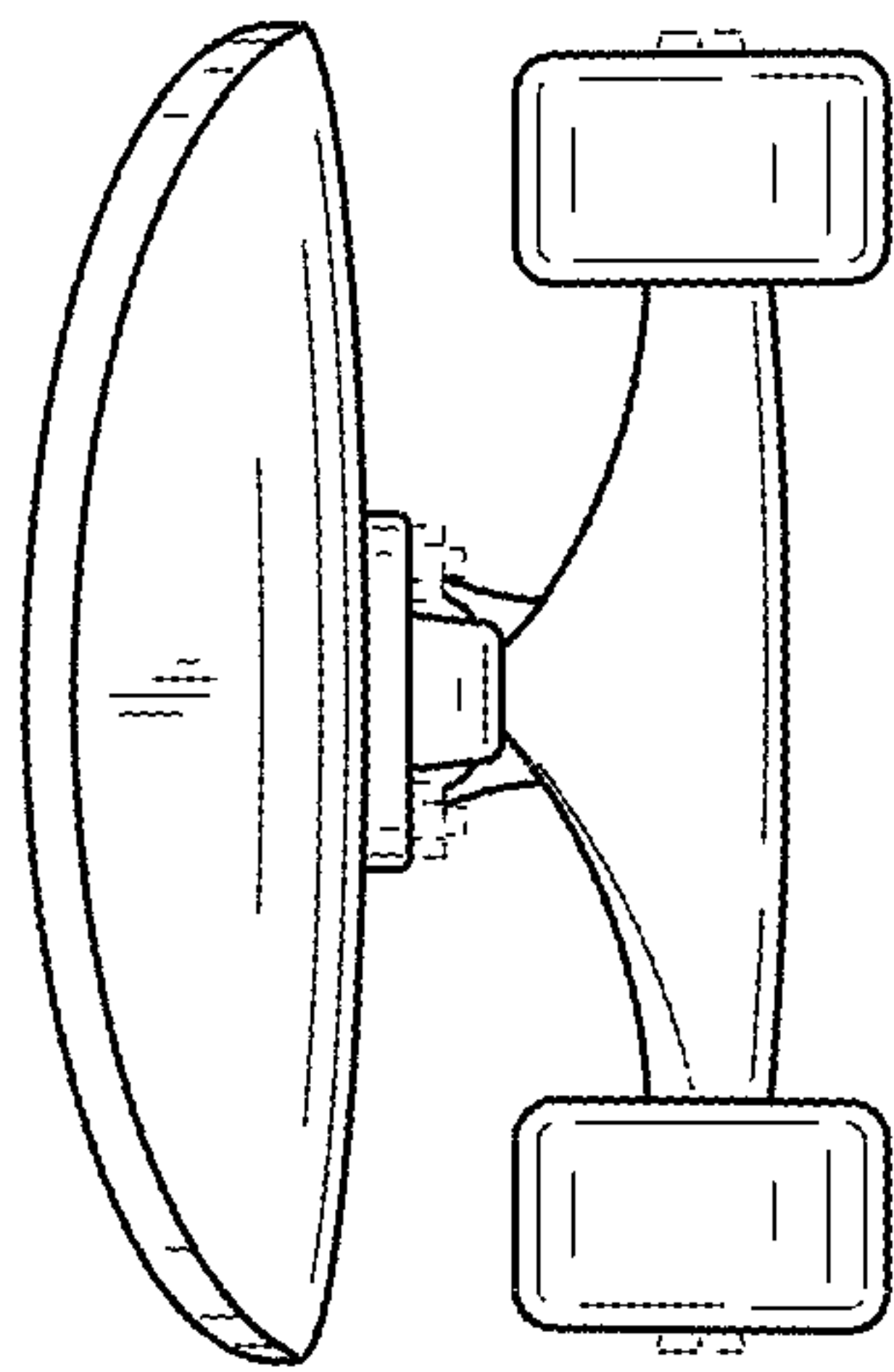


FIG. 7

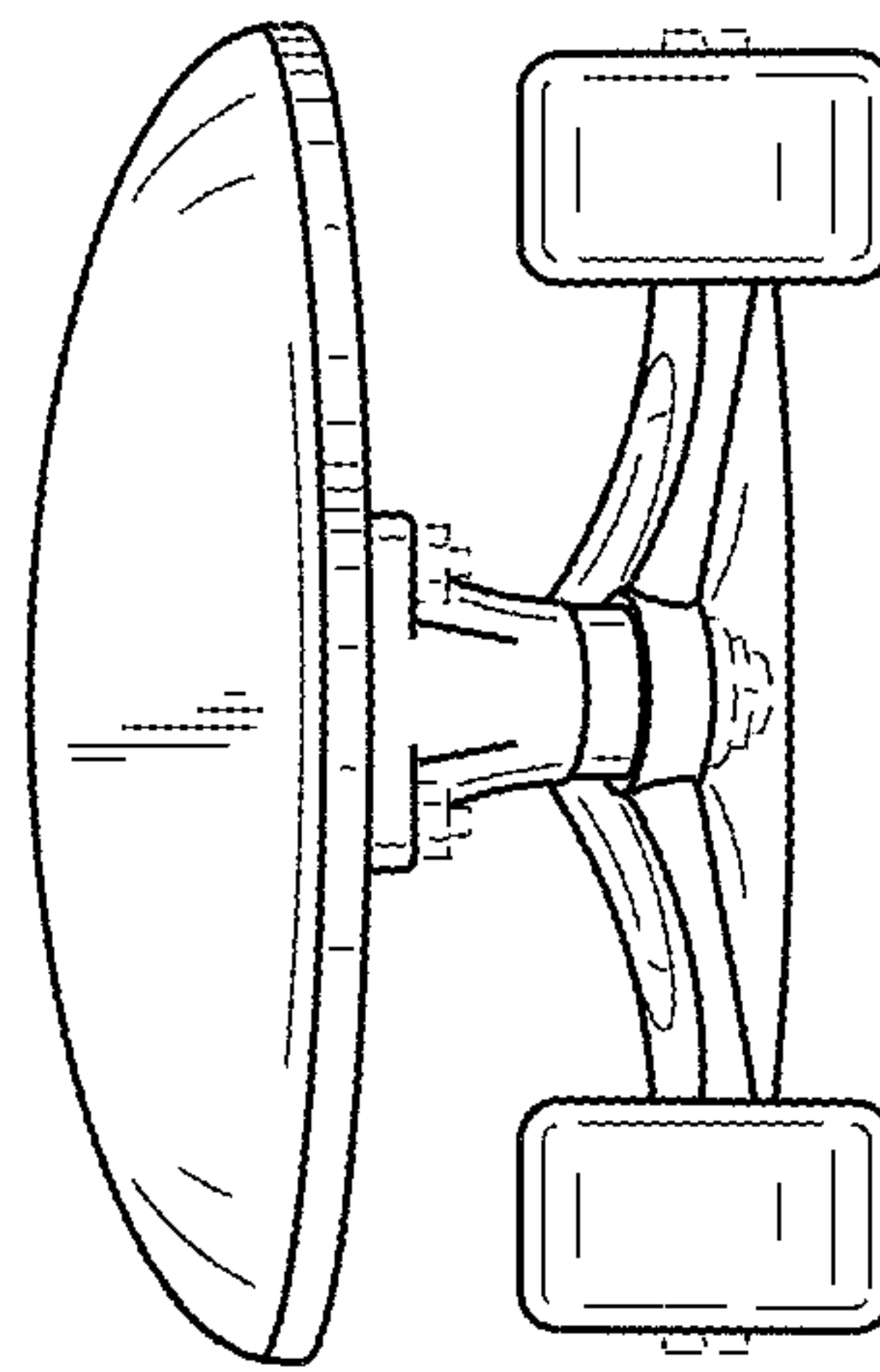


FIG. 8

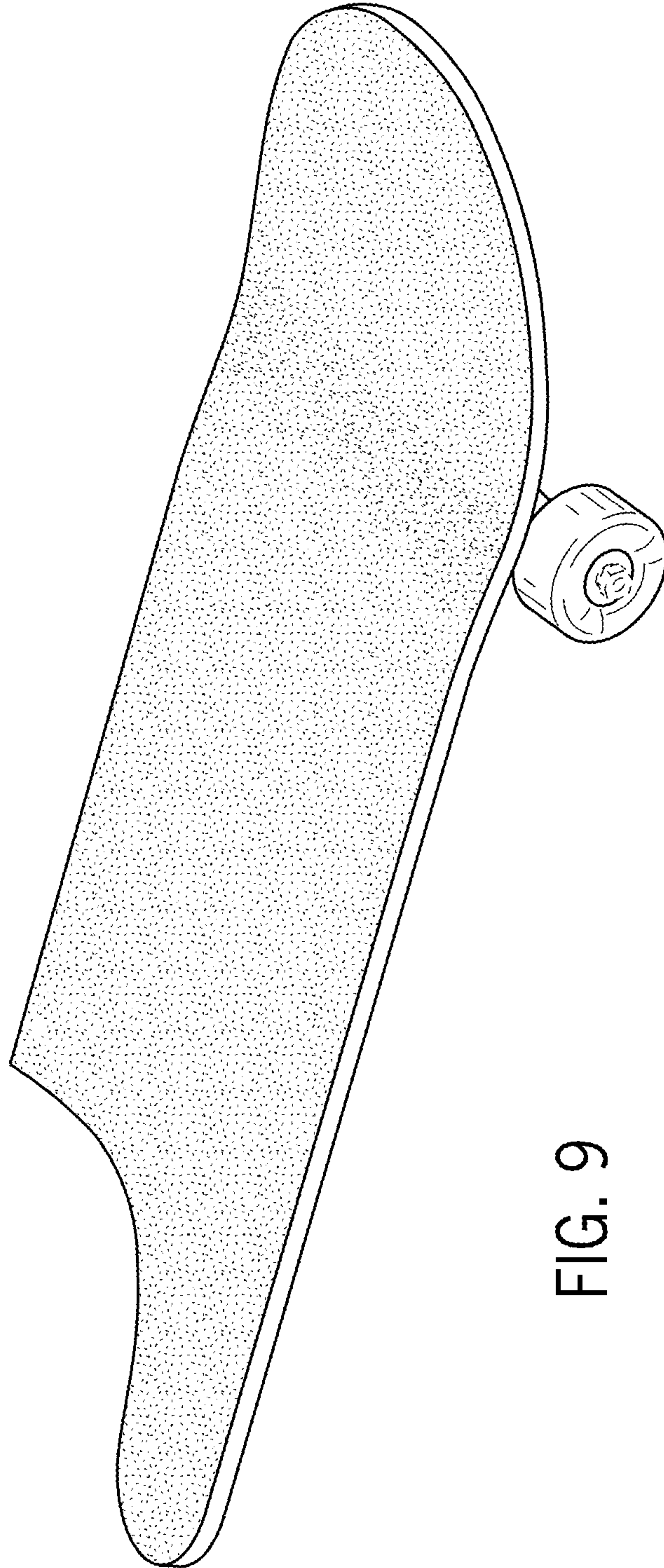


FIG. 9

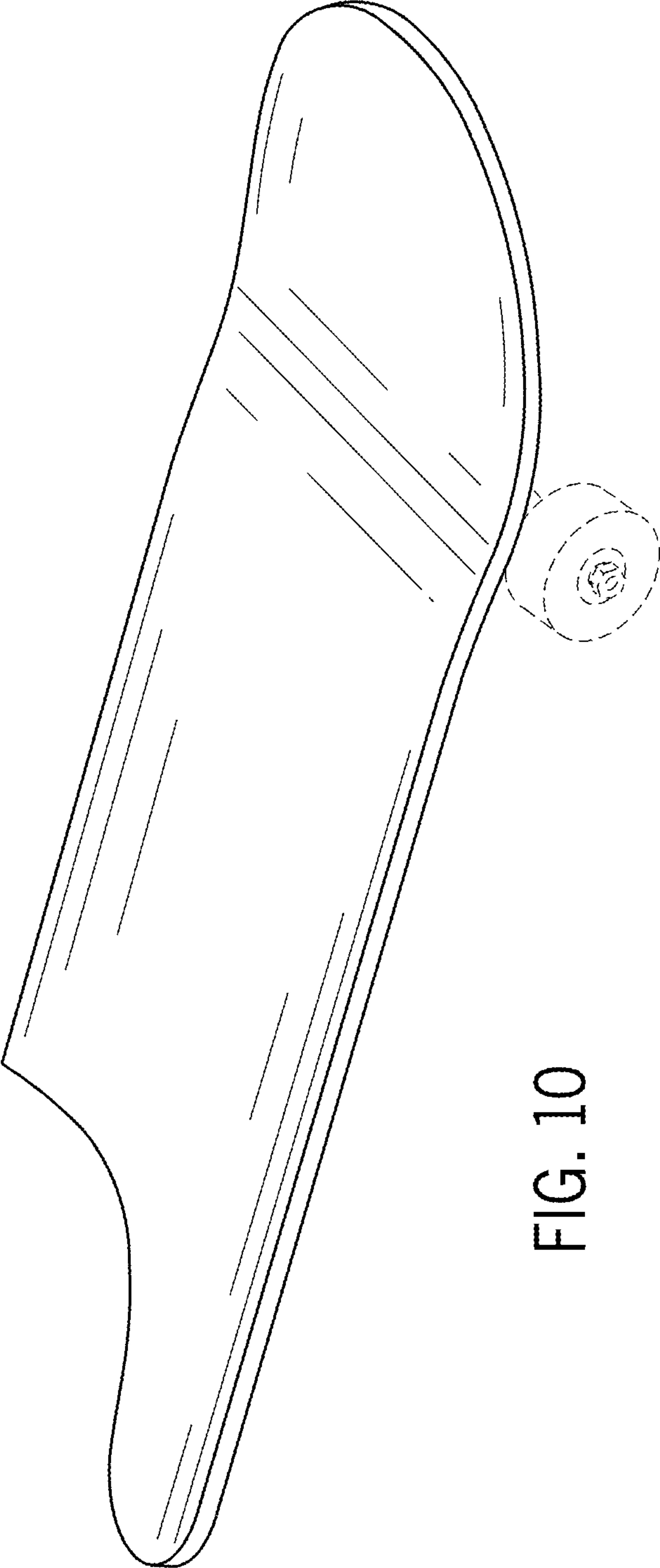


FIG. 10

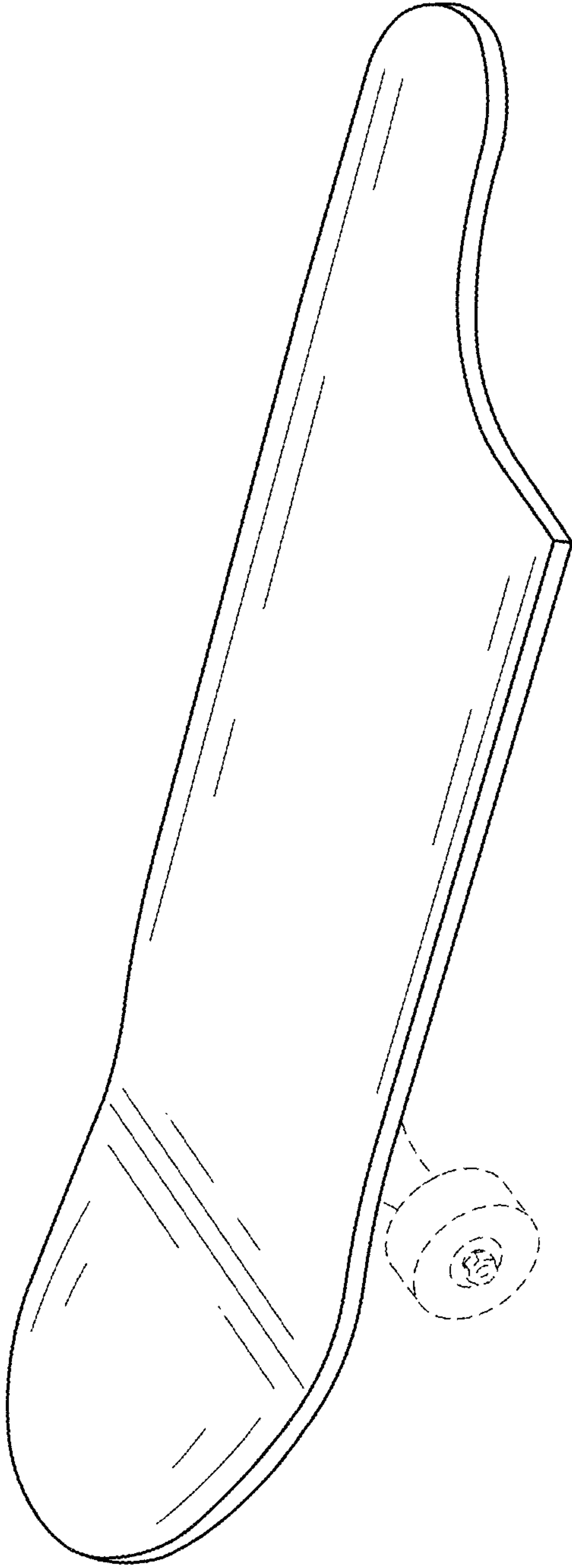


FIG. 11

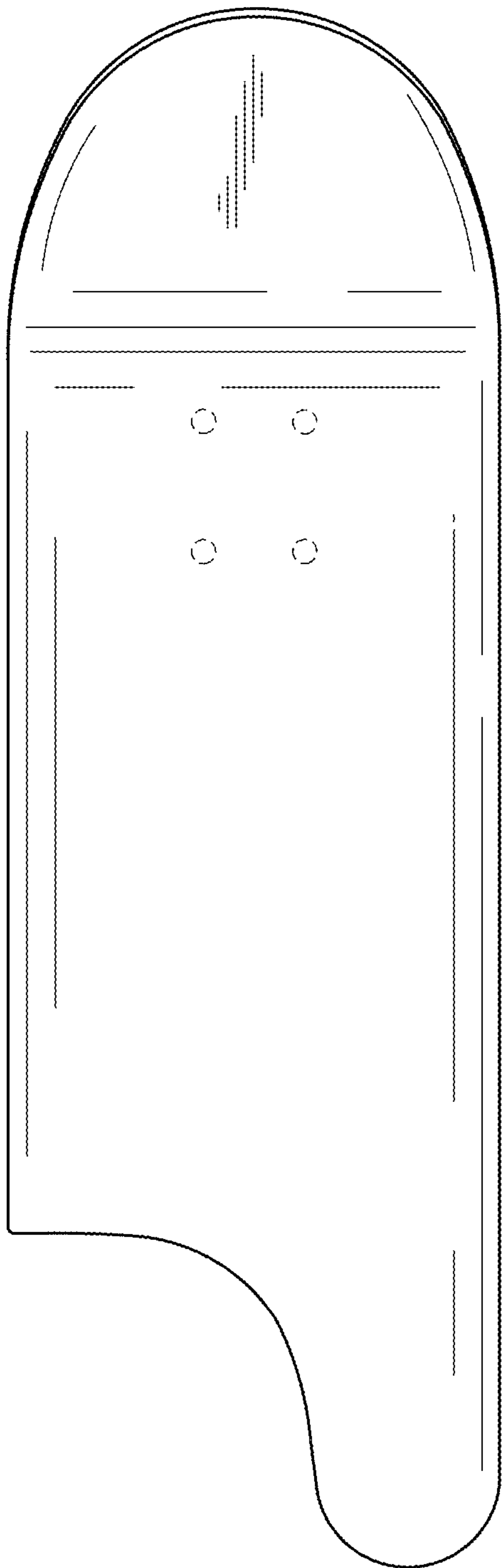


FIG. 12

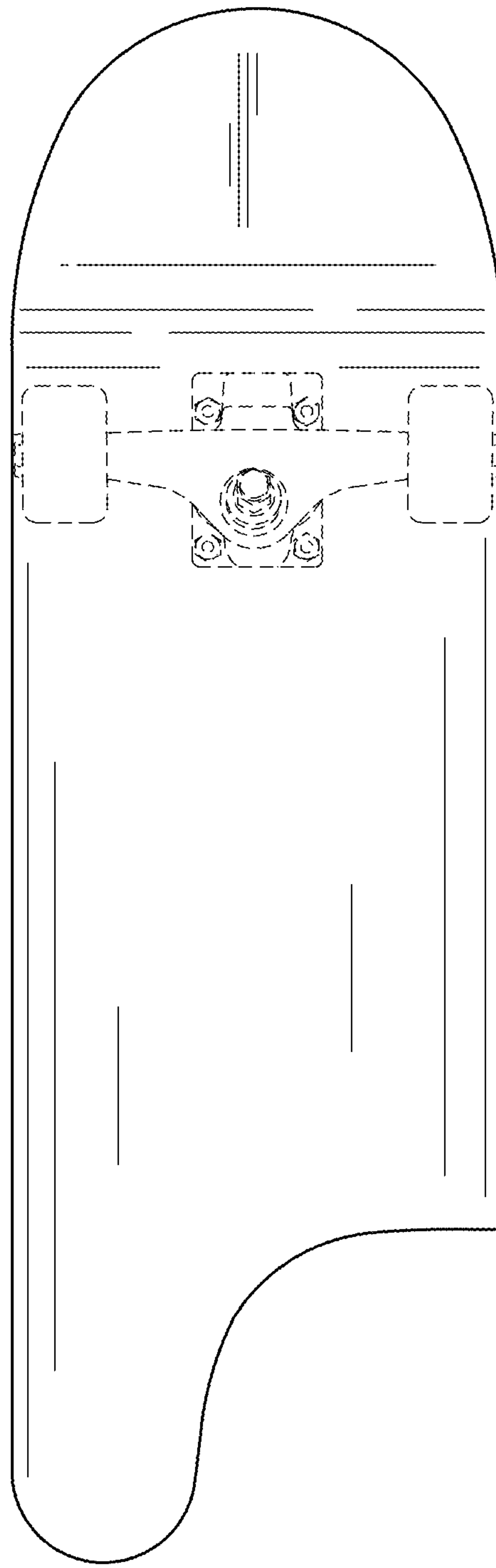


FIG. 13

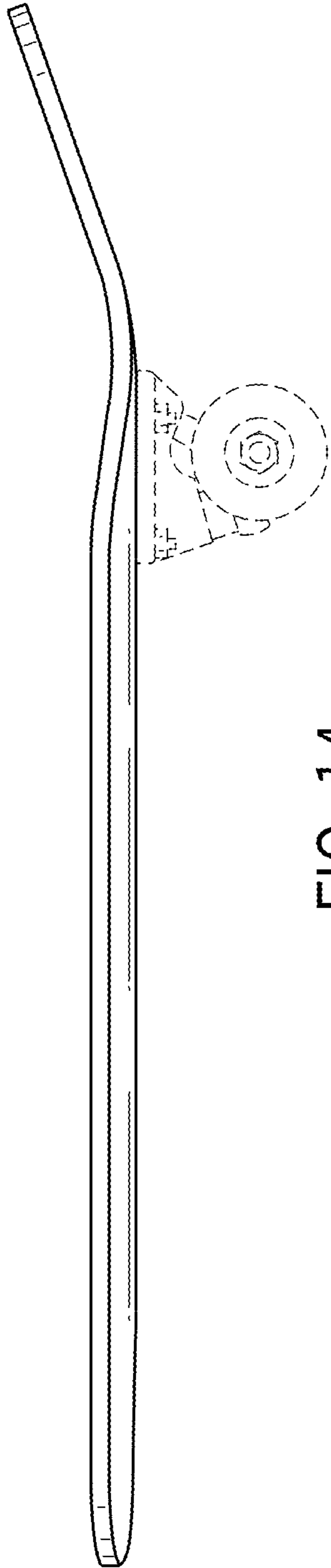


FIG. 14

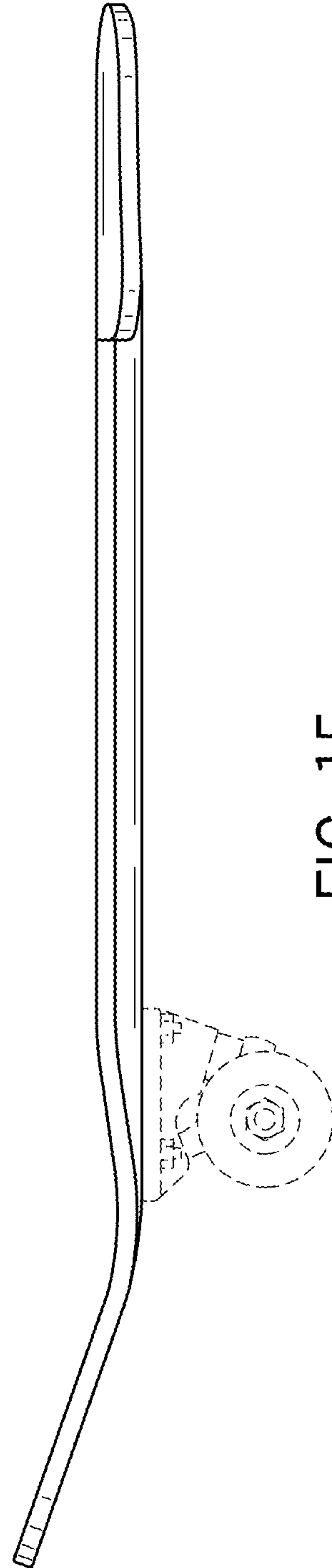


FIG. 15

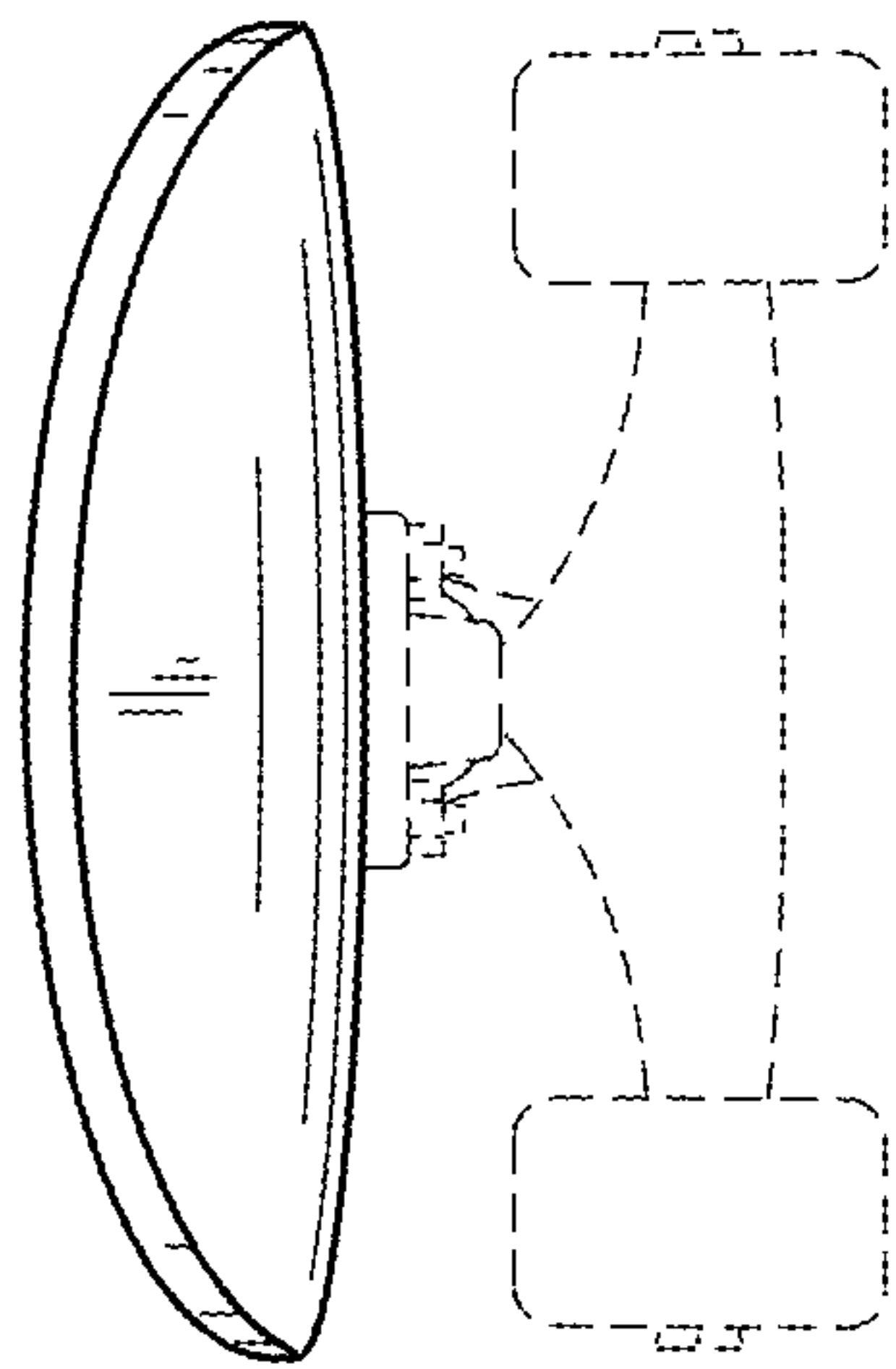


FIG. 16

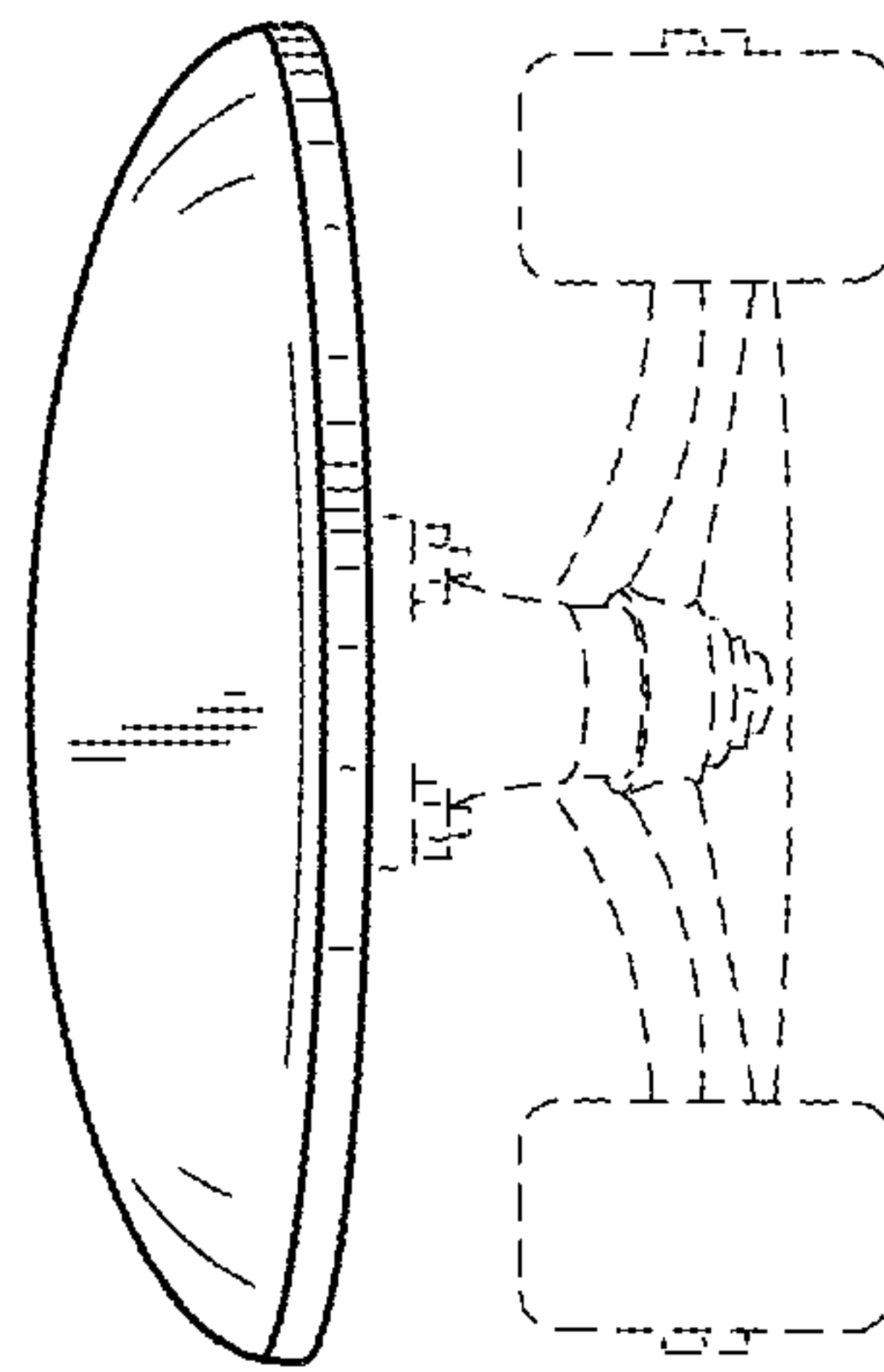


FIG. 17

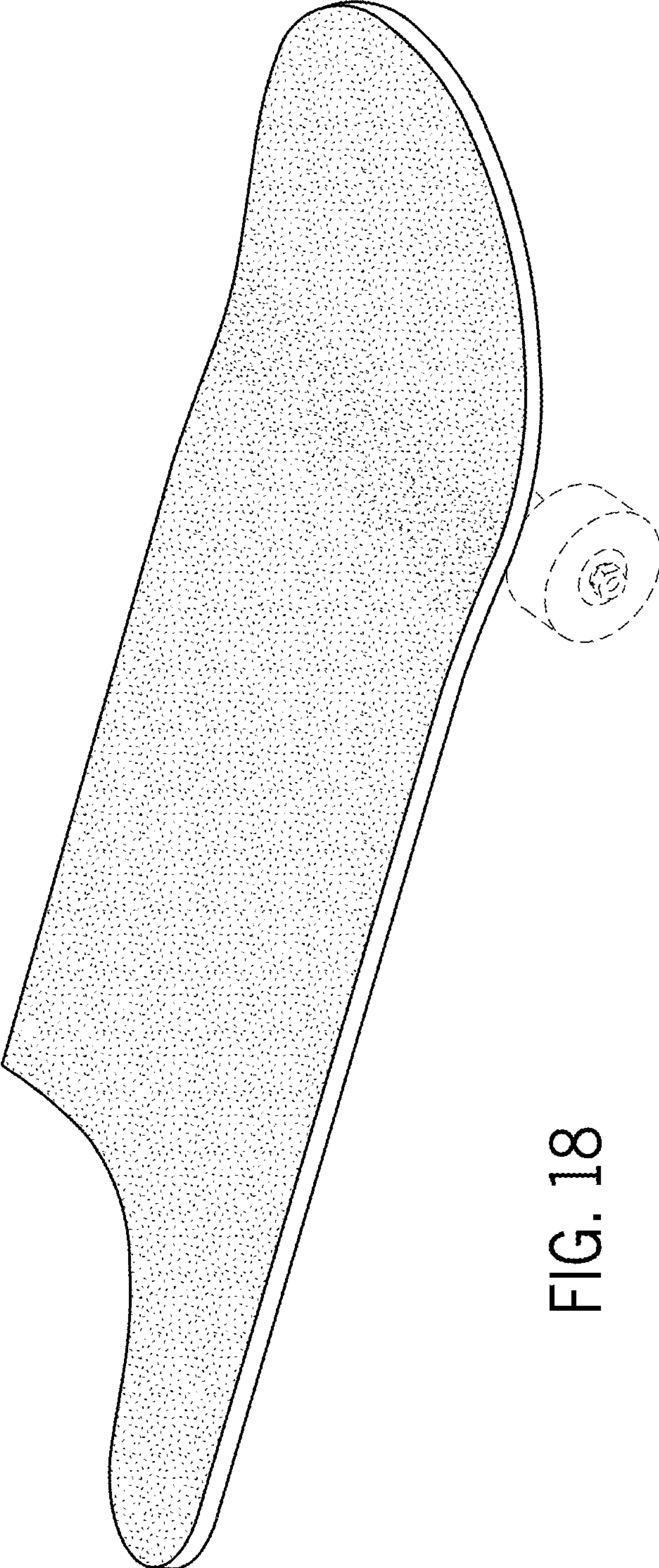


FIG. 18