



US00D900681S

(12) **United States Design Patent** (10) **Patent No.:** **US D900,681 S**
Liu et al. (45) **Date of Patent:** **** Nov. 3, 2020**

(54) **CHILD RIDE-ON BIKE**
(71) Applicant: **NINEBOT (BEIJING) TECH. CO., LTD**, Beijing (CN)

D537,758 S * 3/2007 Grepper D12/111
D567,149 S * 4/2008 Grepper D12/111
D597,147 S * 7/2009 Verlinden D21/424
D629,049 S * 12/2010 McFarland B62K 3/10
D21/419

(72) Inventors: **Lei Liu**, Beijing (CN); **Xinyu Song**, Beijing (CN); **Lufeng Gao**, Beijing (CN)

(Continued)

Primary Examiner — Darlington Ly
(74) *Attorney, Agent, or Firm* — Margaret Polson; Polson Intellectual Property Law, PC

(73) Assignee: **NINEBOT (BEIJING) TECH. CO., LTD**, Beijing (CN)

(57) **CLAIM**

(**) Term: **15 Years**

The ornamental design for a child ride-on bike, as shown and described.

(21) Appl. No.: **35/507,631**

DESCRIPTION

(22) Filed: **Jul. 3, 2019**

The patent or application file contains at least one drawing executed in color, of which forms part of the claimed design. Copies of this patent or patent application publication with color drawing(s) will be provided by the Office upon request and payment of the necessary fee.

(80) **Hague Agreement Data**

Int. Filing Date: **Jul. 3, 2019**
Int. Reg. No.: **DM/203532**
Int. Reg. Date: **Jul. 3, 2019**
Int. Reg. Pub. Date: **Nov. 1, 2019**

1.-2. **CHILD RIDE-ON BIKE**

(30) **Foreign Application Priority Data**

Jan. 3, 2019 (CN) 2019 3 0002633

1.1 is a left side elevation view of a child ride-on bike showing our new design in accordance to a first embodiment;

(51) **LOC (12) Cl.** **12-11**

1.2 is a right side elevation view thereof;

(52) **U.S. Cl.**
USPC **D12/111**

1.3 is a front elevation view thereof;

(58) **Field of Classification Search**
USPC D12/111, 117; D21/419, 424
CPC ... B62K 3/00; B62K 3/02; B62K 3/06; B62K 3/08; B62K 9/00; B62K 15/00; B62K 15/006; B62K 15/008; B62K 17/00
See application file for complete search history.

1.4 is a rear elevation view thereof;

(56) **References Cited**

U.S. PATENT DOCUMENTS

D326,247 S * 5/1992 Hess D12/111
D504,845 S * 5/2005 Coerschulte D12/111
D512,664 S * 12/2005 Schreier D12/111

1.5 is a top plan view thereof;

1.6 is a bottom plan view thereof; and

1.7 is a front perspective view thereof.

2.1 is a left side elevation view of a child ride-on bike showing our new design in accordance to a second embodiment;

2.2 is a right side elevation view thereof;

2.3 is a front elevation view thereof;

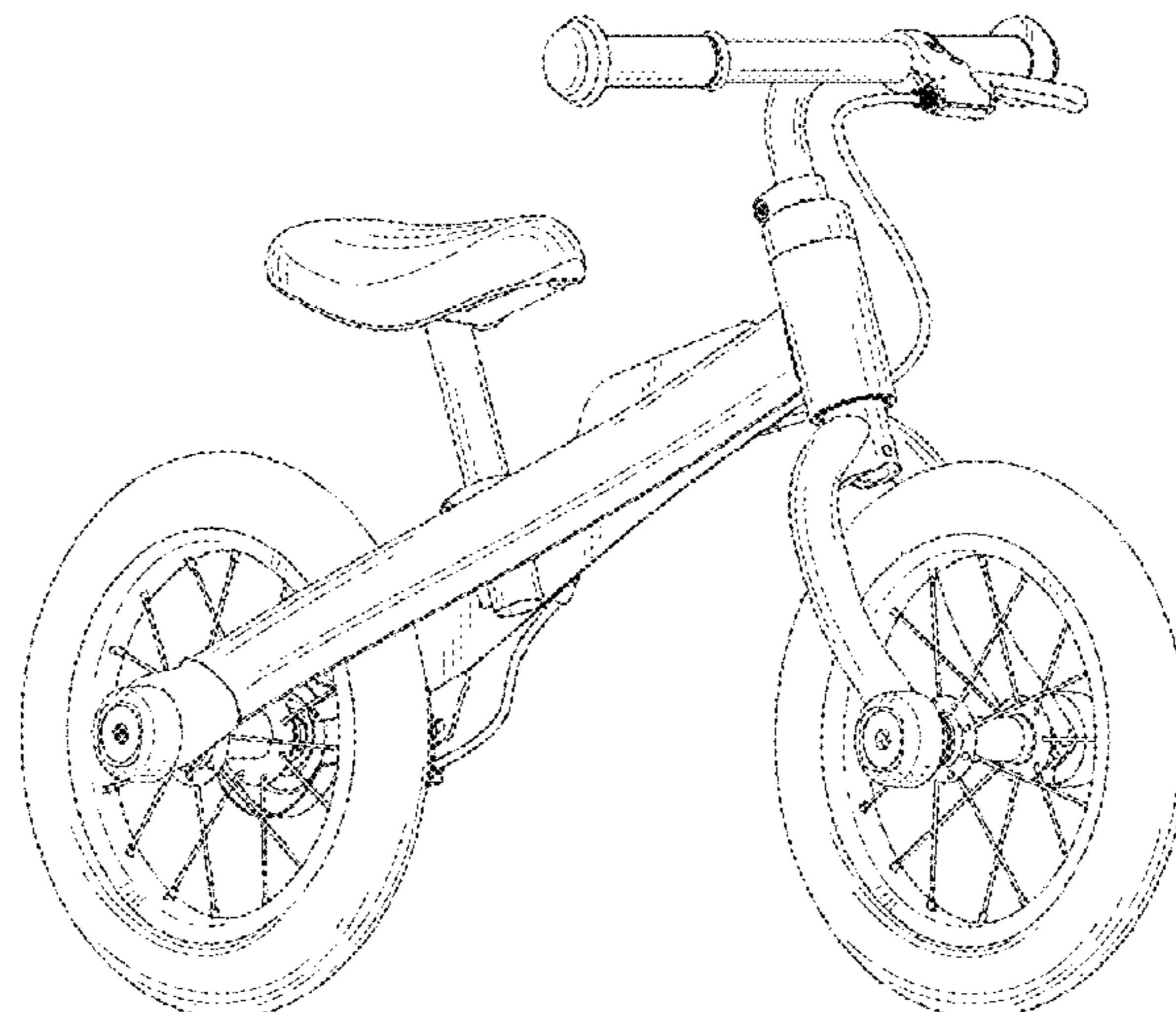
2.4 is a rear elevation view thereof;

2.5 is a top plan view thereof;

2.6 is a bottom plan view thereof; and

2.7 is a front perspective view thereof.

1 Claim, 14 Drawing Sheets
(7 of 14 Drawing Sheet(s) Filed in Color)



(56)

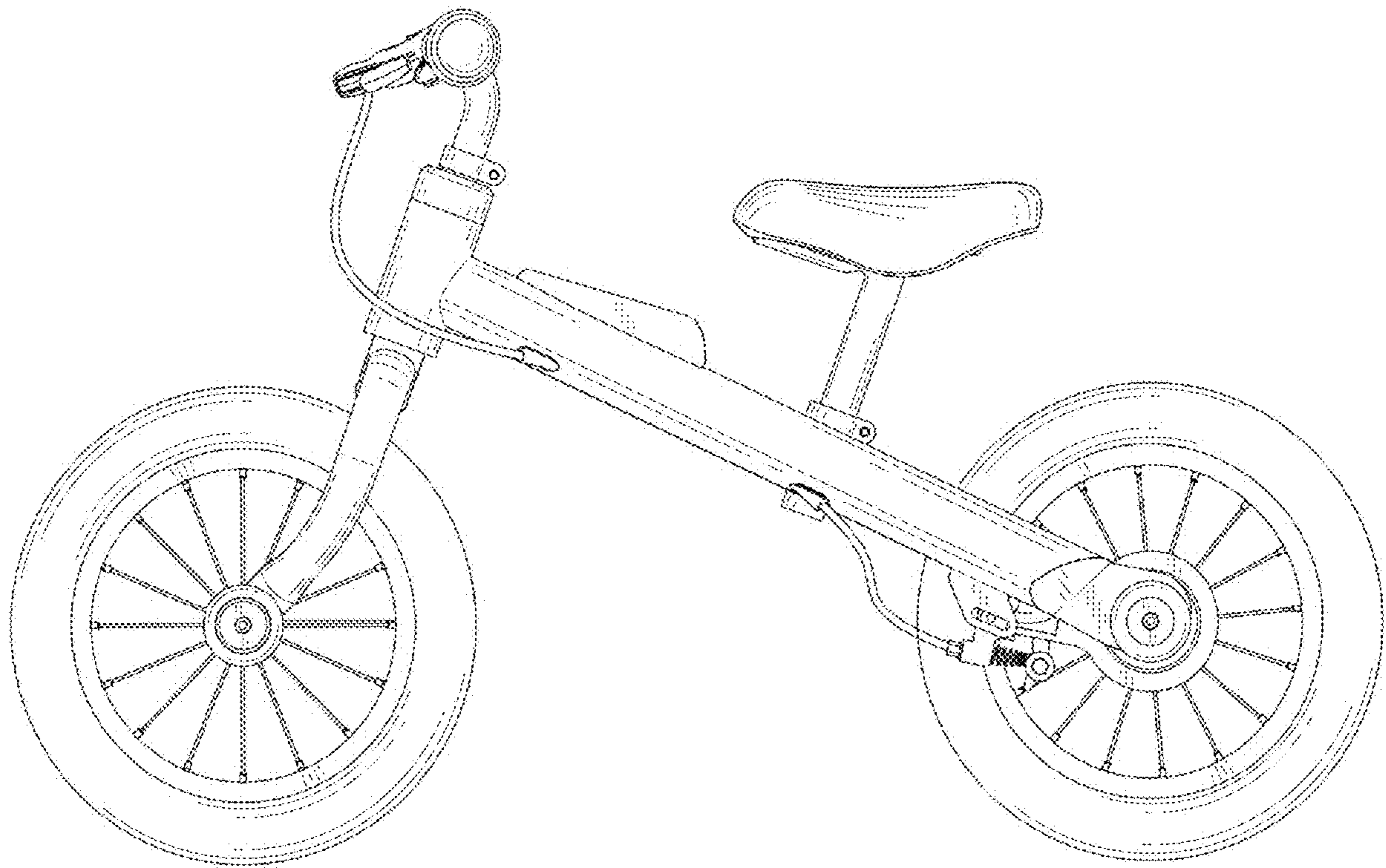
References Cited

U.S. PATENT DOCUMENTS

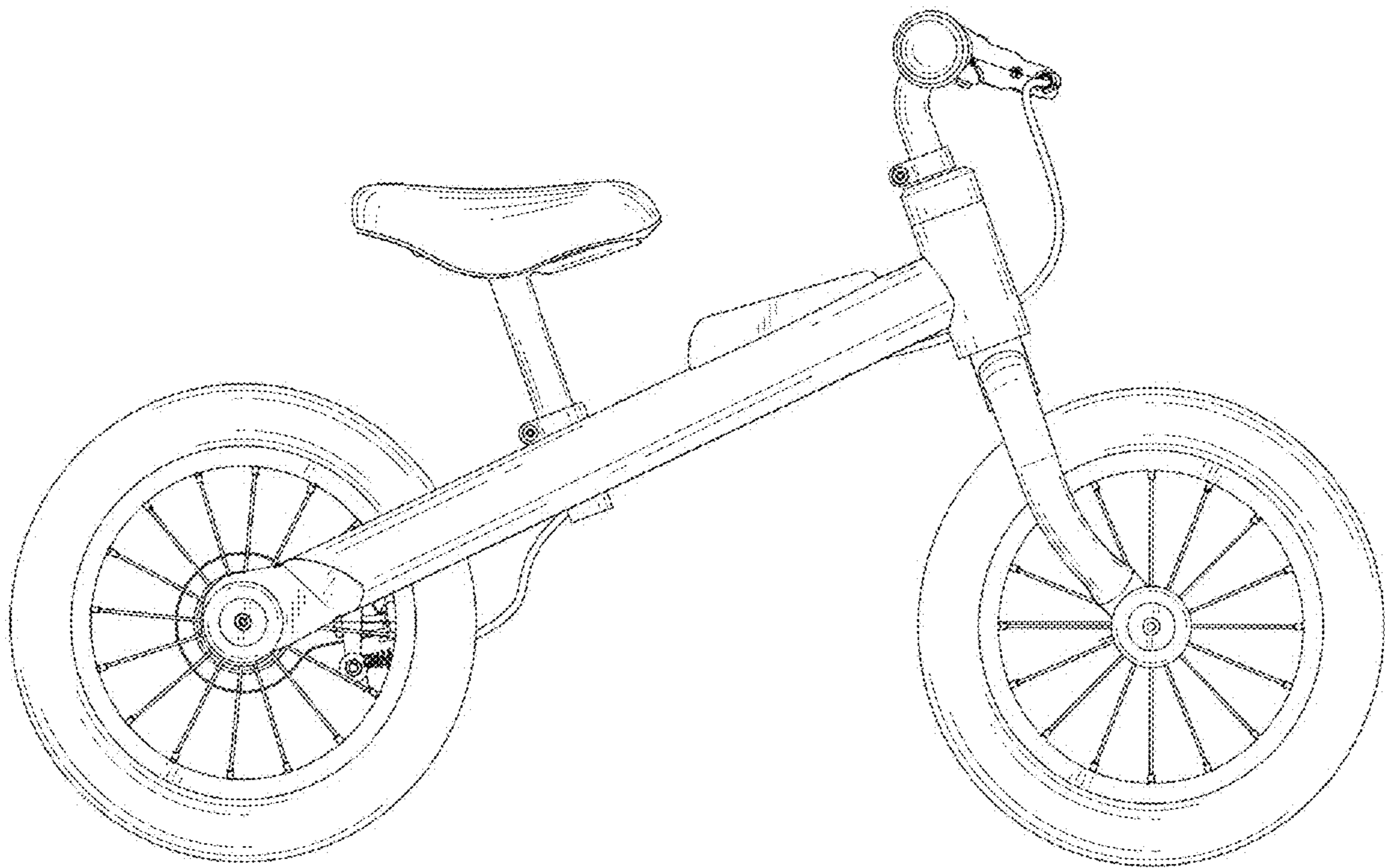
D659,597 S * 5/2012 Chen B62K 9/00
D12/111
D668,586 S * 10/2012 Golias D12/111
8,286,974 B2 * 10/2012 Chen B62K 9/00
280/1.188
D671,173 S * 11/2012 Tompkin D21/432
8,414,007 B2 * 4/2013 Chen B62K 9/00
280/278
D695,847 S * 12/2013 Liu D21/432
D729,700 S * 5/2015 De Roeck D12/111
D735,620 S * 8/2015 Pape B62K 9/00
D12/111
D739,308 S * 9/2015 Barnaby Latham D12/111
D781,753 S * 3/2017 Wunderlin D12/111

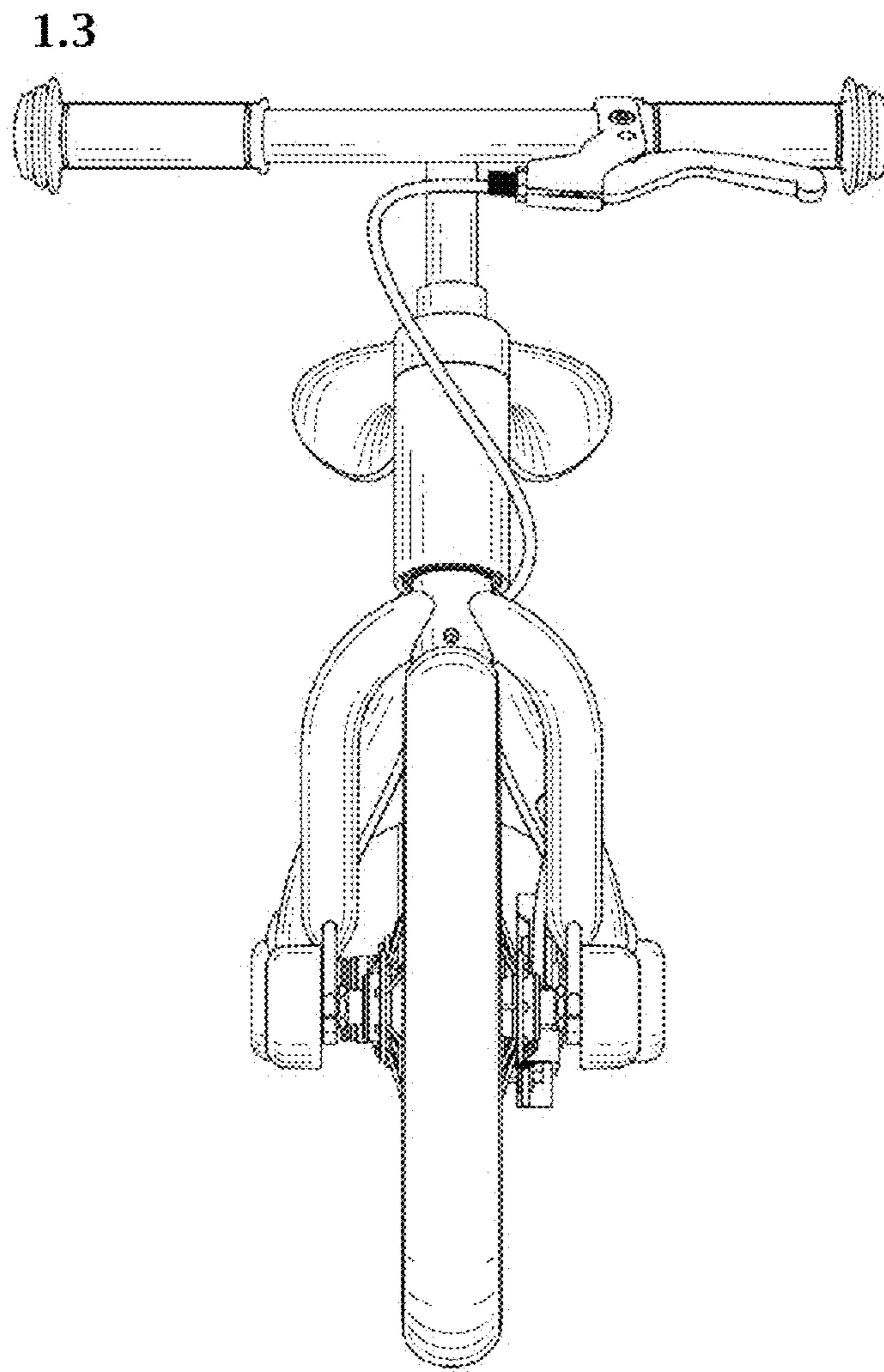
* cited by examiner

1.1

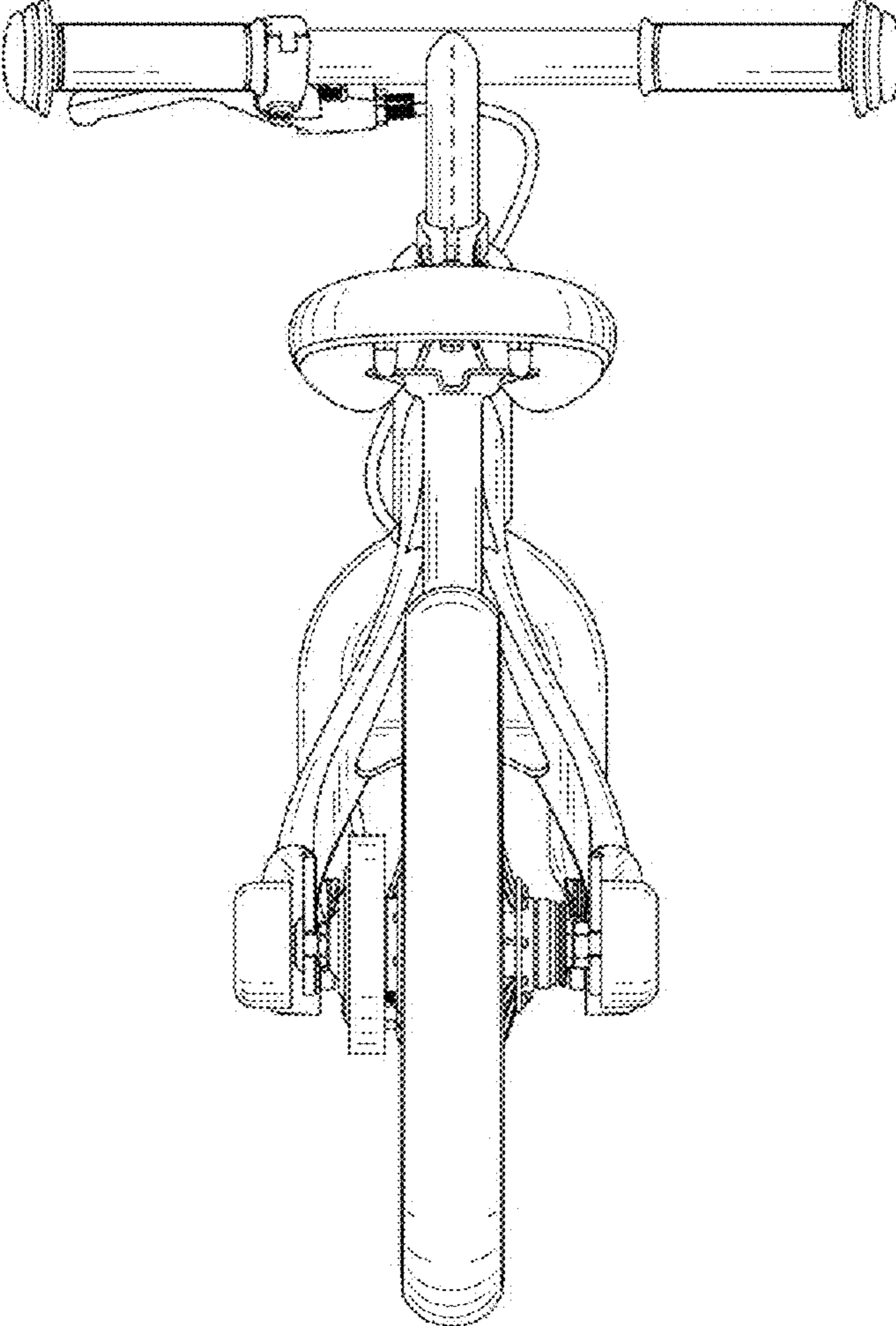


1.2

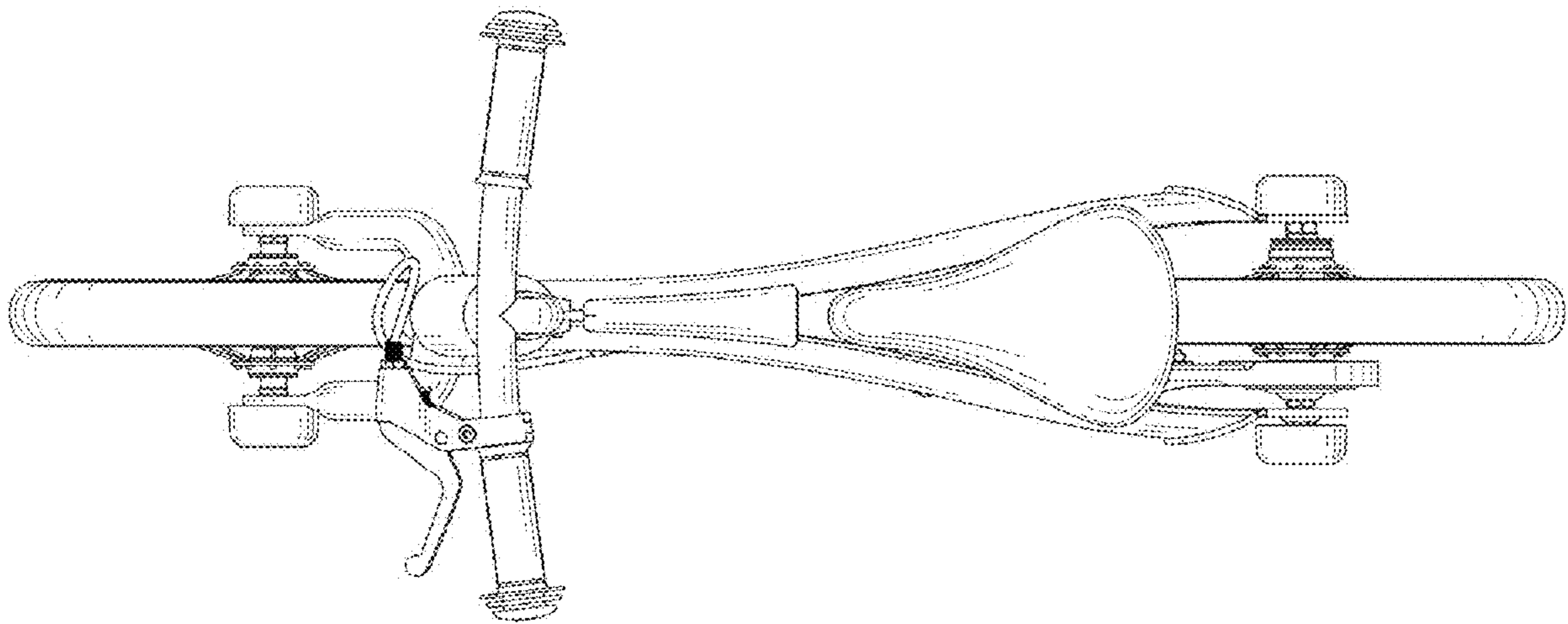




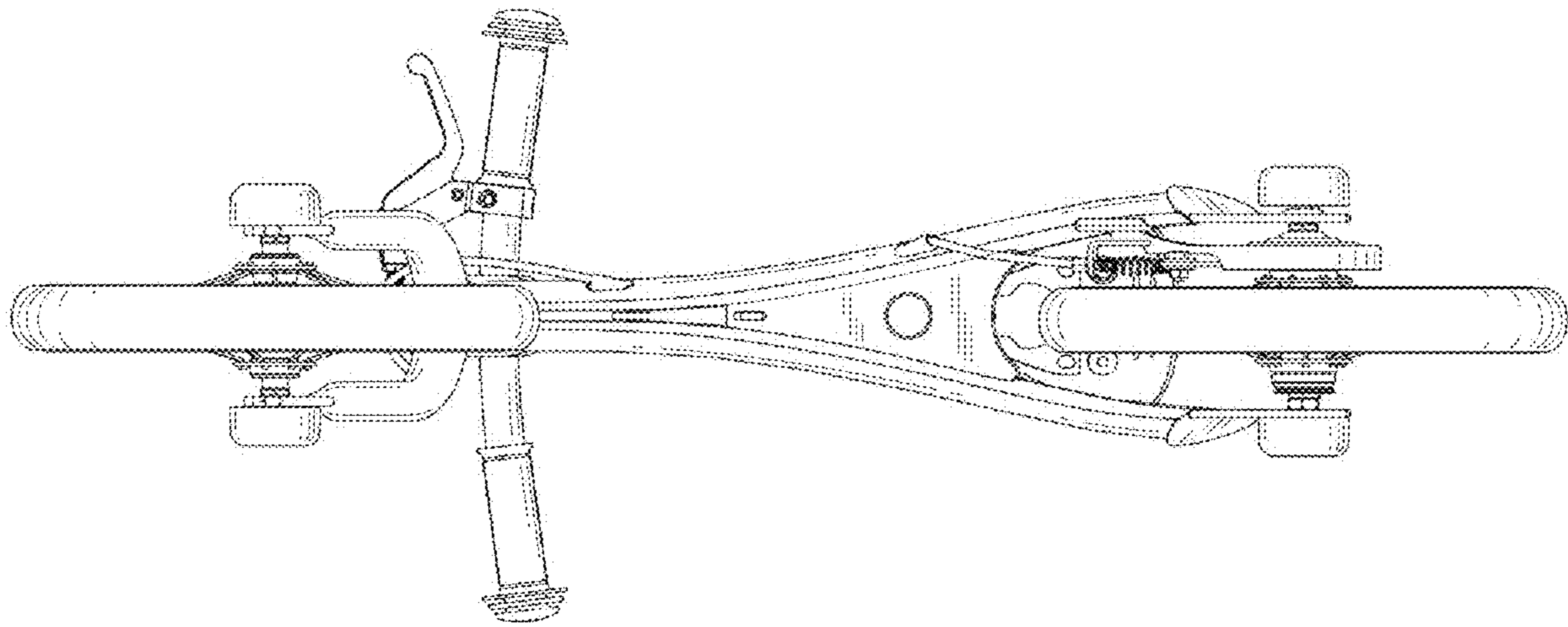
1.4



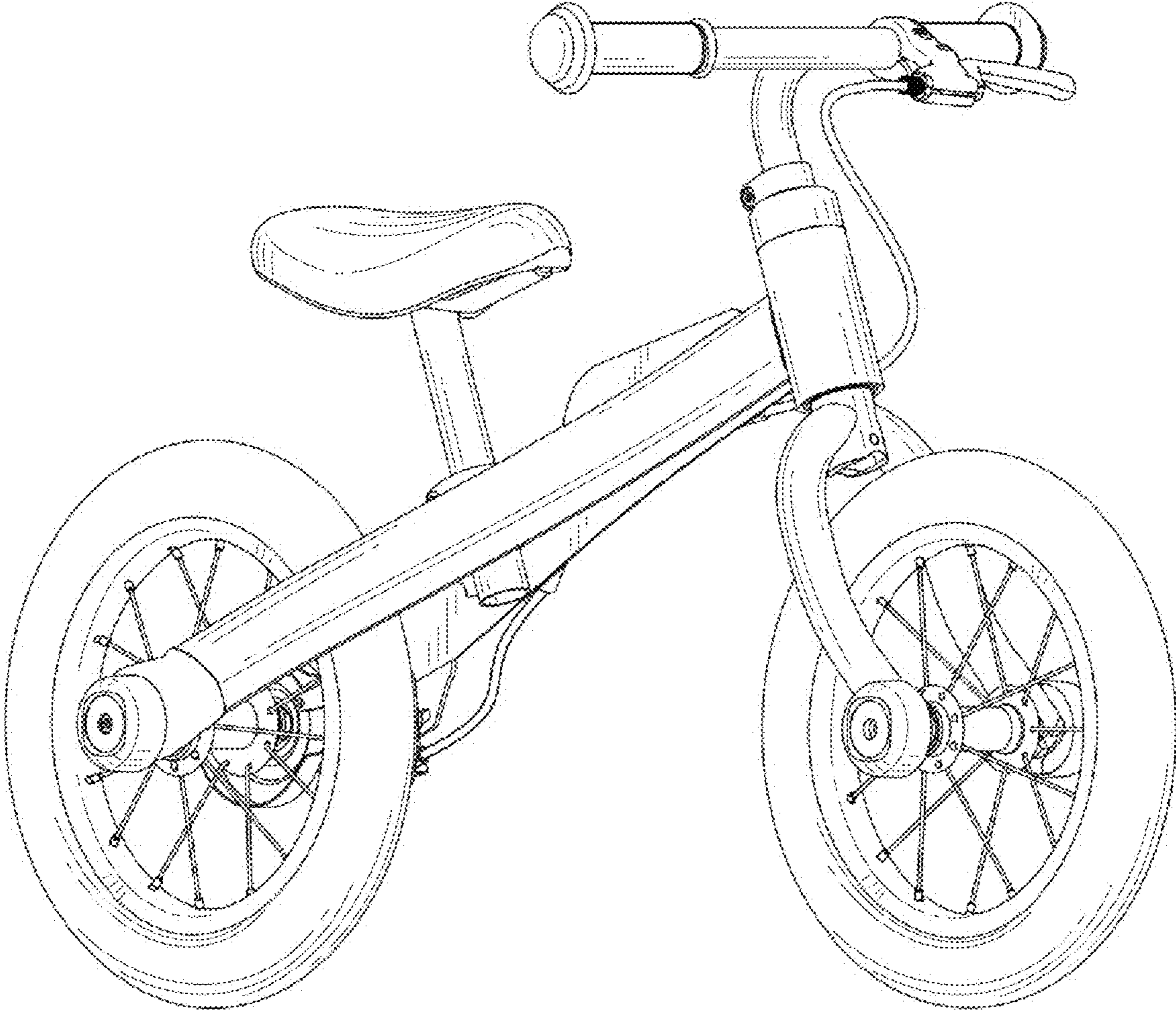
1.5



1.6



1.7



2.1



2.2



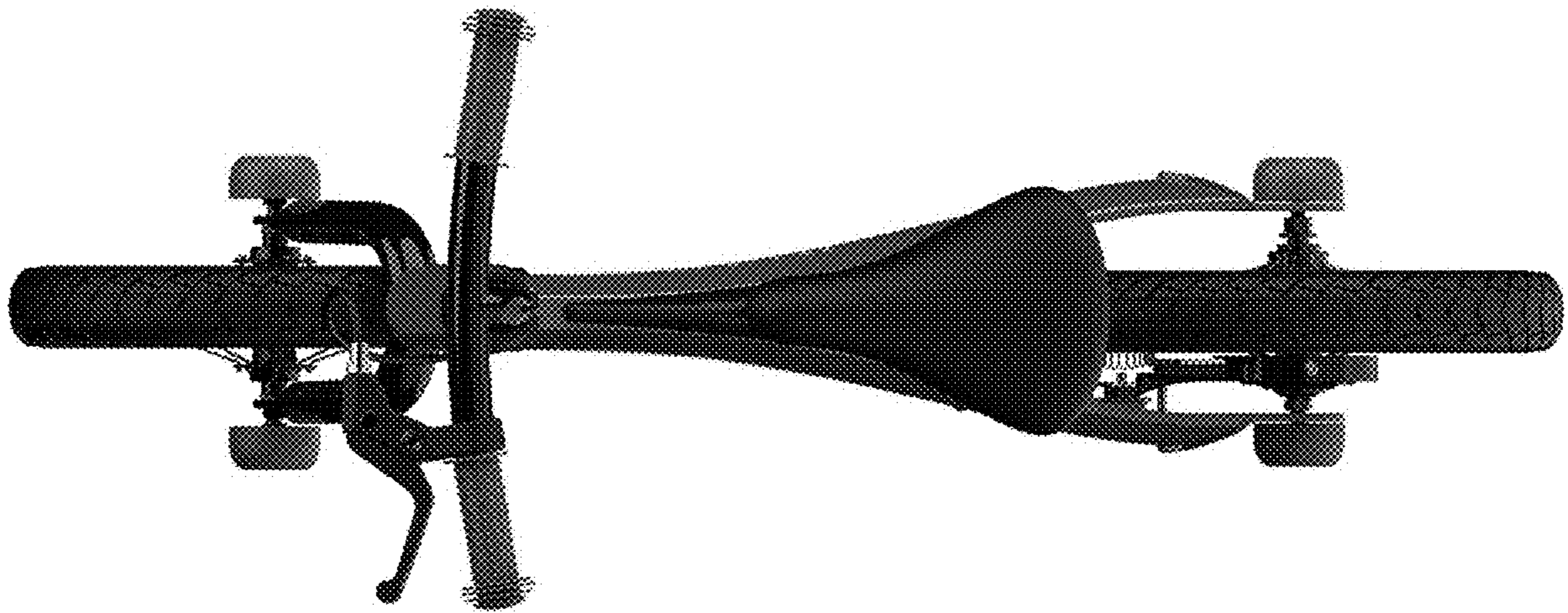
2.3



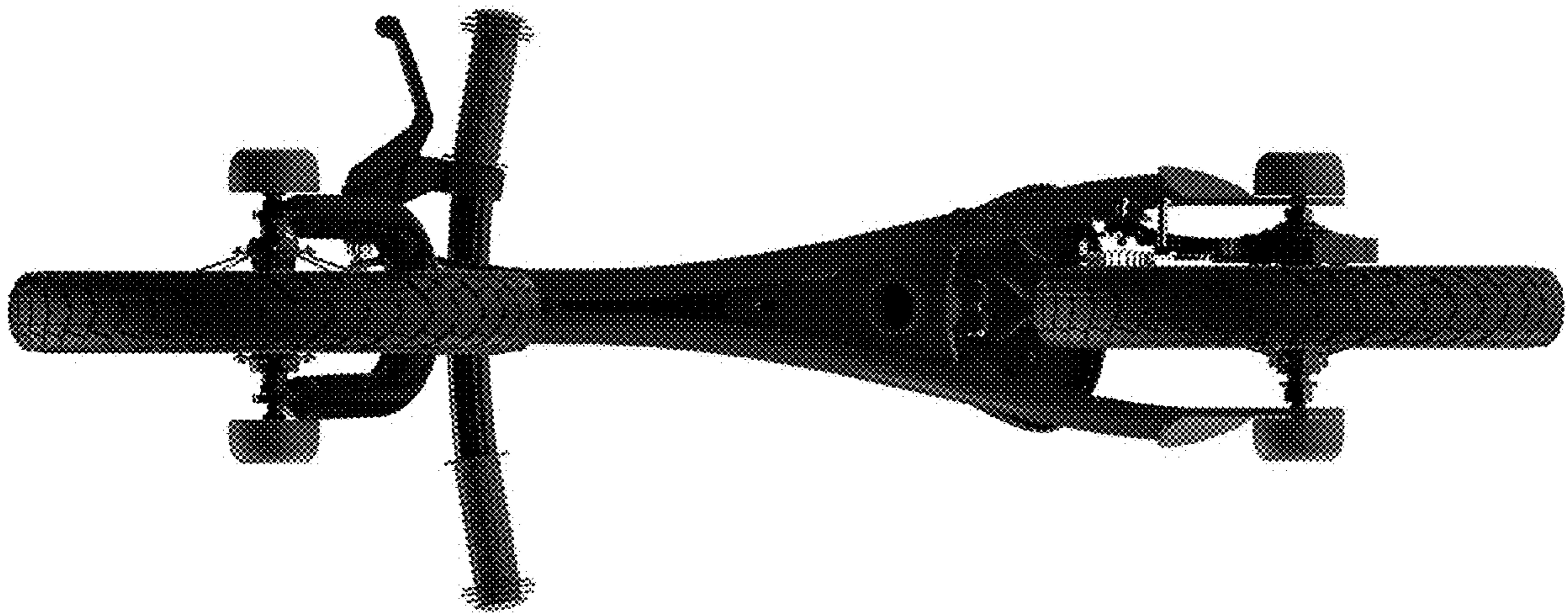
2.4



2.5



2.6



2.7

